

US00D502074S

(12) **United States Design Patent** (10) **Patent No.:** **US D502,074 S**  
**Sham et al.** (45) **Date of Patent:** **\*\* Feb. 22, 2005**

(54) **CIRCULAR SAW** 6,094,827 A 8/2000 Campbell  
D453,099 S \* 1/2002 Welsh ..... D8/66  
(75) Inventors: **Kam Lun Tailun Gates Sham, Tai Po** D457,408 S 5/2002 Sakai et al.  
**(HK); Daniel Alex Chunn, Kowloon** D461,695 S 8/2002 Van Wambeke et al.  
**(HK)** D472,126 S 3/2003 Miklosz et al.  
D475,265 S \* 6/2003 Hatch et al. .... D8/66  
(73) Assignee: **One World Technologies Limited,** D475,266 S \* 6/2003 Sakai et al. .... D8/66  
**Hamilton (BE)** 6,612,038 B2 9/2003 Onose et al.  
D486,369 S 2/2004 Keller  
(\*\*) Term: **14 Years** D489,591 S 5/2004 Willer et al.  
2003/0047050 A1 3/2003 Onose et al.

(21) Appl. No.: **29/201,537**

(22) Filed: **Mar. 17, 2004**

(51) **LOC (7) Cl.** ..... **08-03**

(52) **U.S. Cl.** ..... **D8/66**

(58) **Field of Search** ..... D8/61, 64, 66,  
D8/67, 68, 69; 30/166.3, 373, 374, 375,  
376, 377, 388, 389, 390, 391; 125/13.01;  
144/218

\* cited by examiner

*Primary Examiner*—Joel A. Sincavage

*Assistant Examiner*—Elizabeth Albert

(74) *Attorney, Agent, or Firm*—Brinks Hofer Gilson & Lione

(57) **CLAIM**

The ornamental design for a circular saw, as shown and described.

(56) **References Cited**

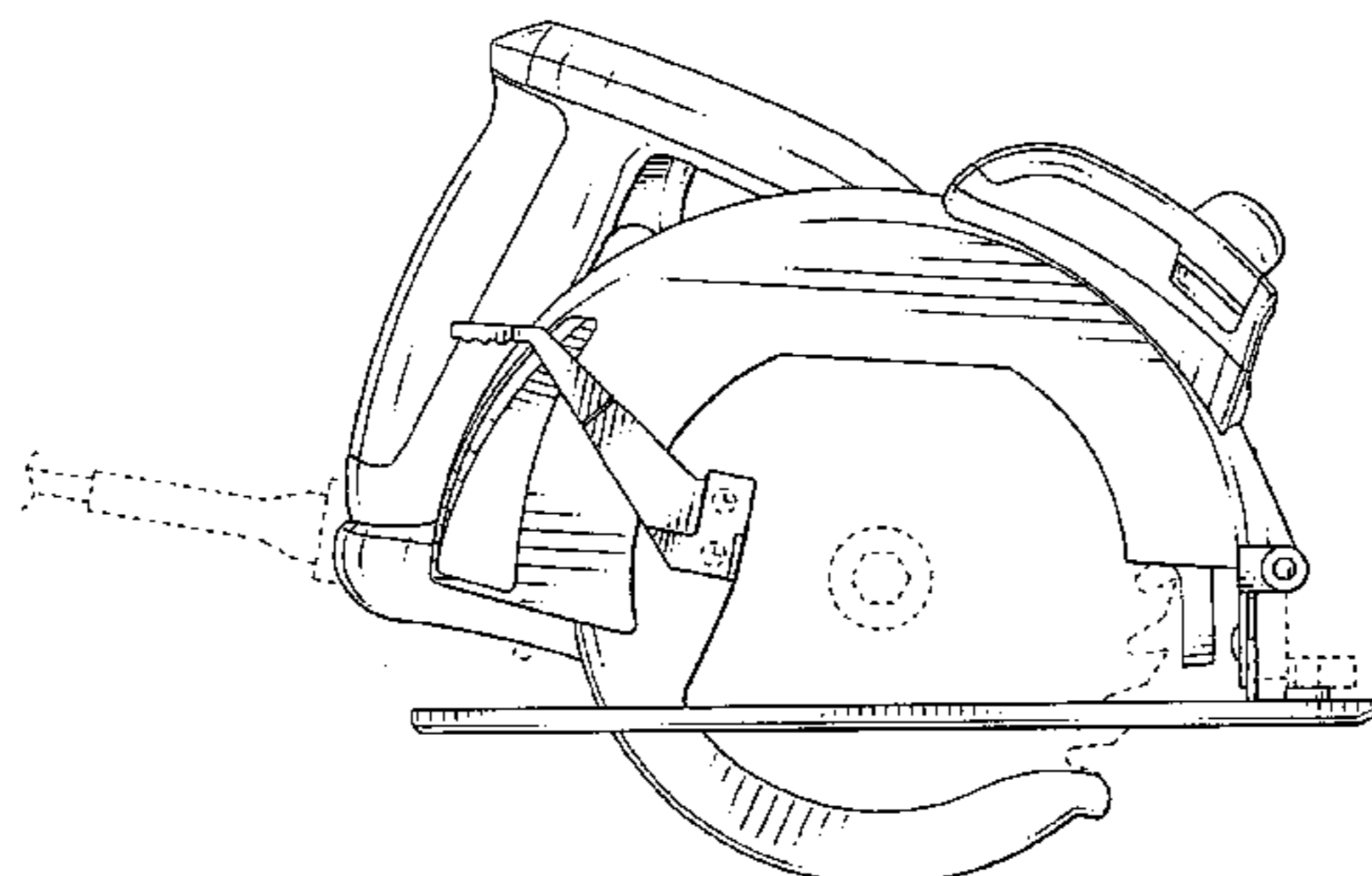
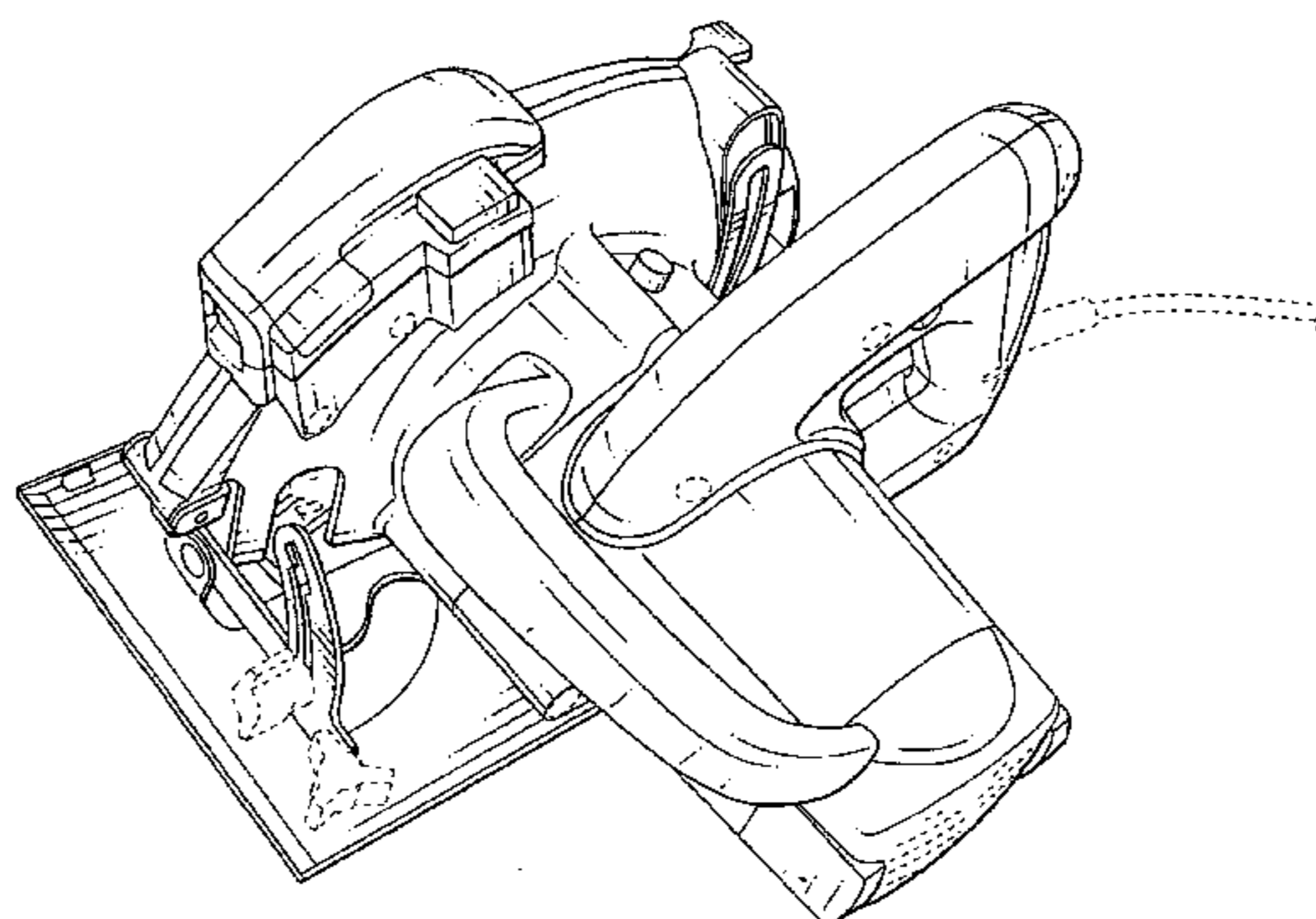
**U.S. PATENT DOCUMENTS**

D180,815 S \* 8/1957 Bentley ..... D8/66  
4,787,145 A \* 11/1988 Klicker et al. .... 30/275.4  
4,870,758 A \* 10/1989 Fushiya ..... 30/388  
4,939,843 A \* 7/1990 Rogers ..... 30/388  
D326,399 S 5/1992 Fushiya et al.  
D329,363 S 9/1992 Sasaki et al.  
5,285,708 A 2/1994 Bosten et al.  
5,361,501 A \* 11/1994 Fajnsztajn ..... 30/391  
5,433,008 A \* 7/1995 Barger et al. .... 30/376  
5,461,790 A 10/1995 Olstowski  
D378,488 S 3/1997 Ito et al.  
6,055,734 A 5/2000 McCurry et al.

**DESCRIPTION**

FIG. 1 is a top perspective view of a circular saw of the present invention;  
FIG. 2 is a first side view thereof;  
FIG. 3 is a second side view thereof;  
FIG. 4 is a top view thereof;  
FIG. 5 is a bottom view thereof;  
FIG. 6 is a front view thereof; and,  
FIG. 7 is a rear view thereof.  
Any broken lines in the drawings are for illustrative purposes only and form no part of the claimed design.

**1 Claim, 7 Drawing Sheets**



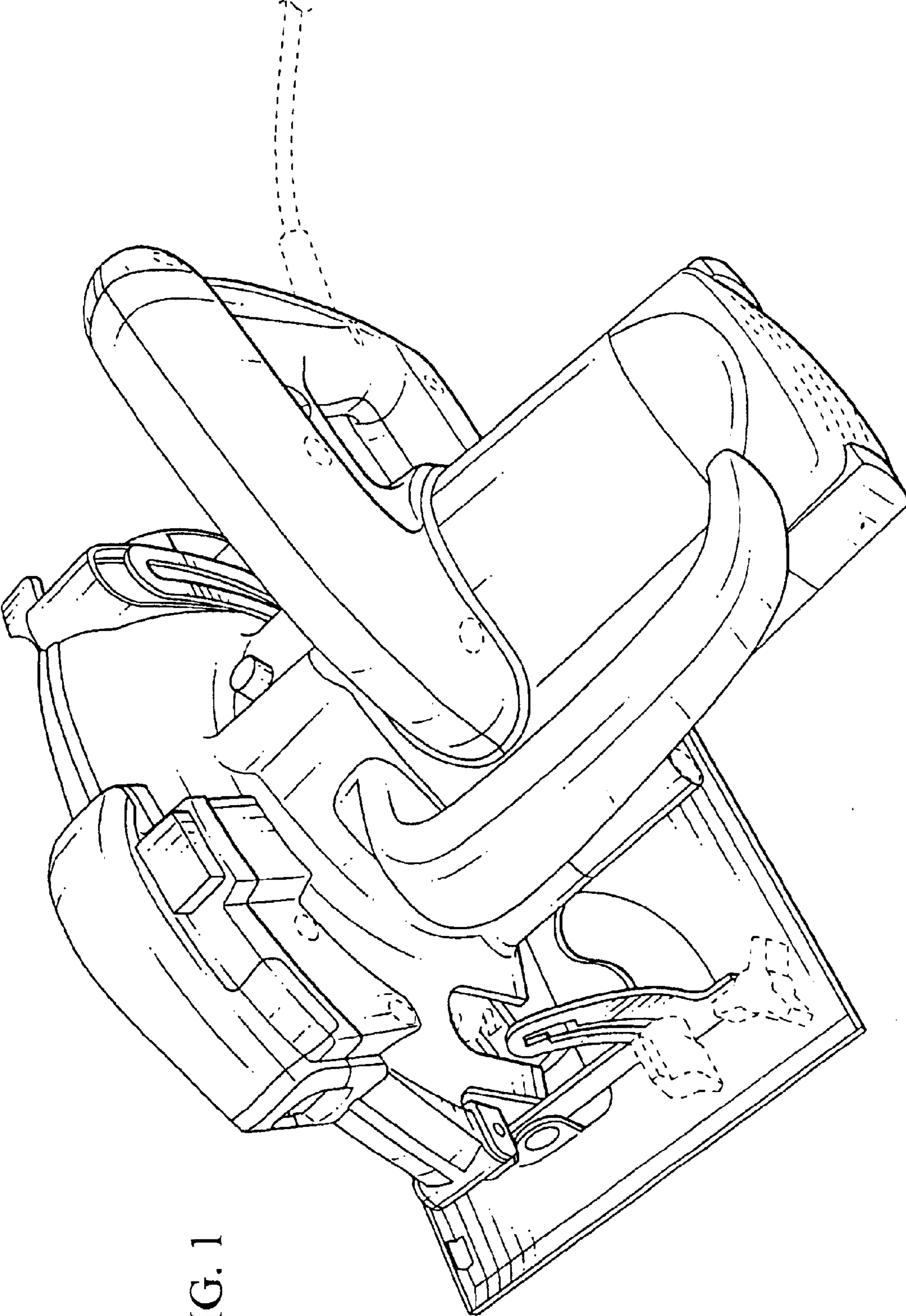


FIG. 1

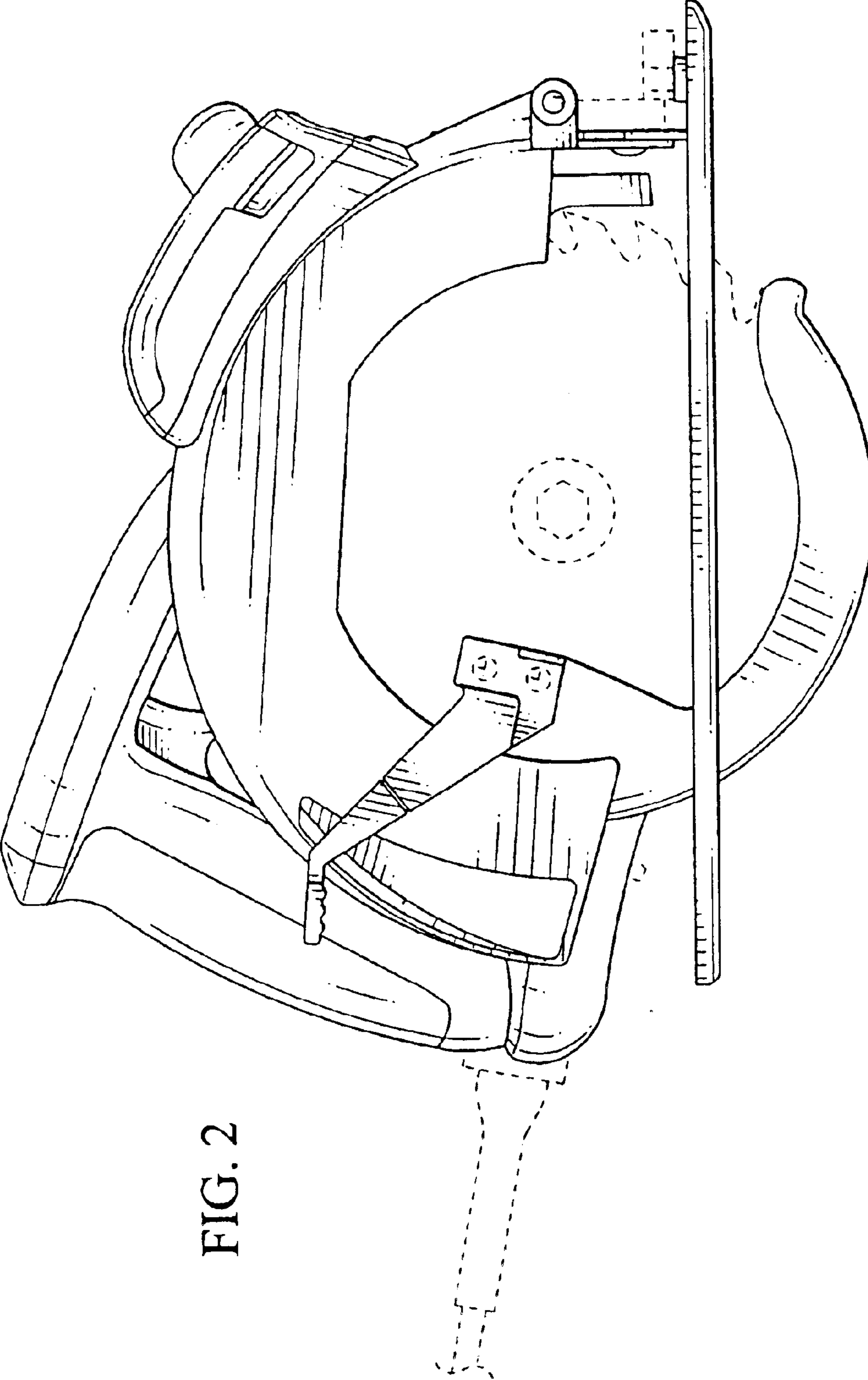
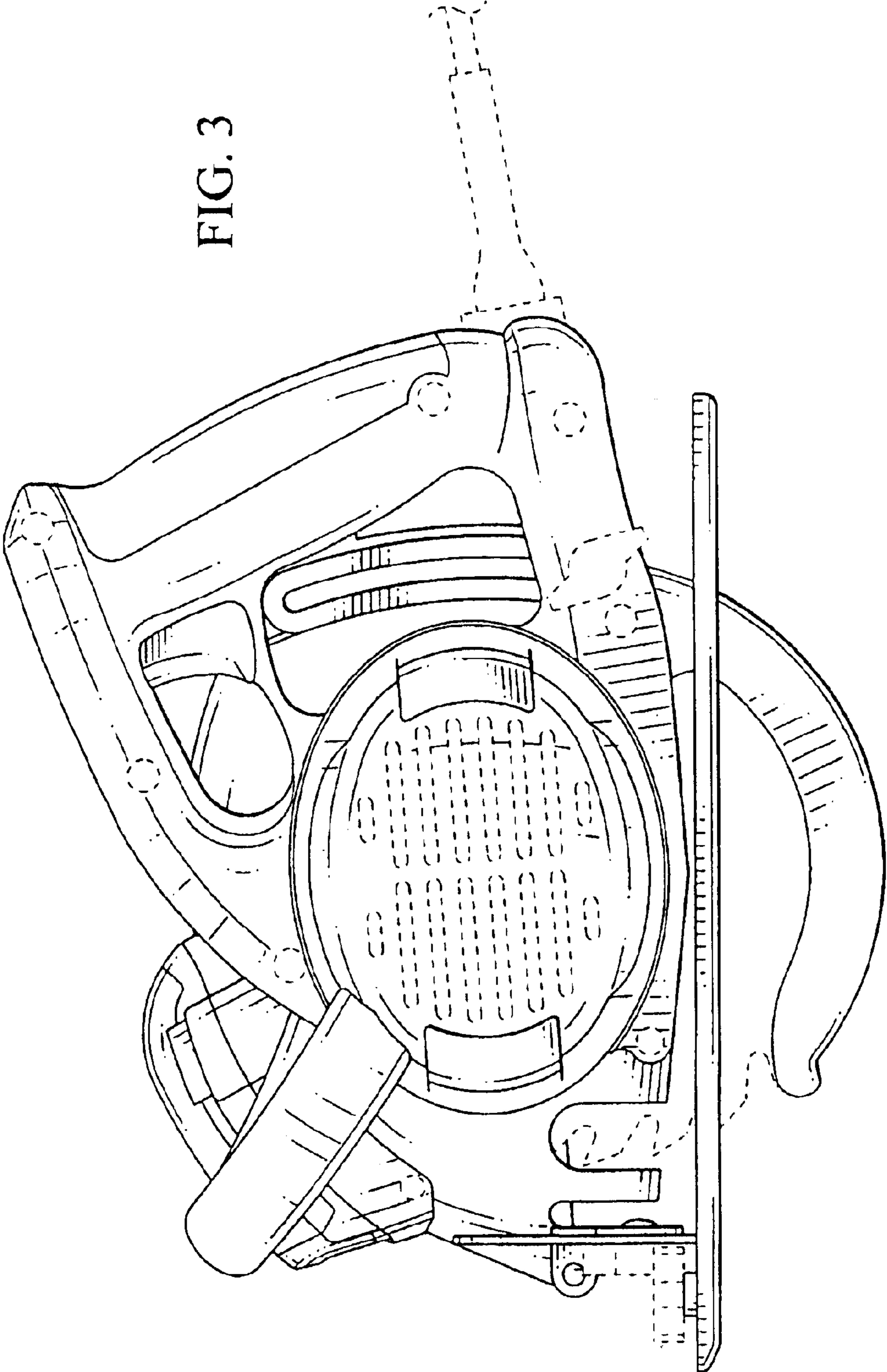


FIG. 2

FIG. 3



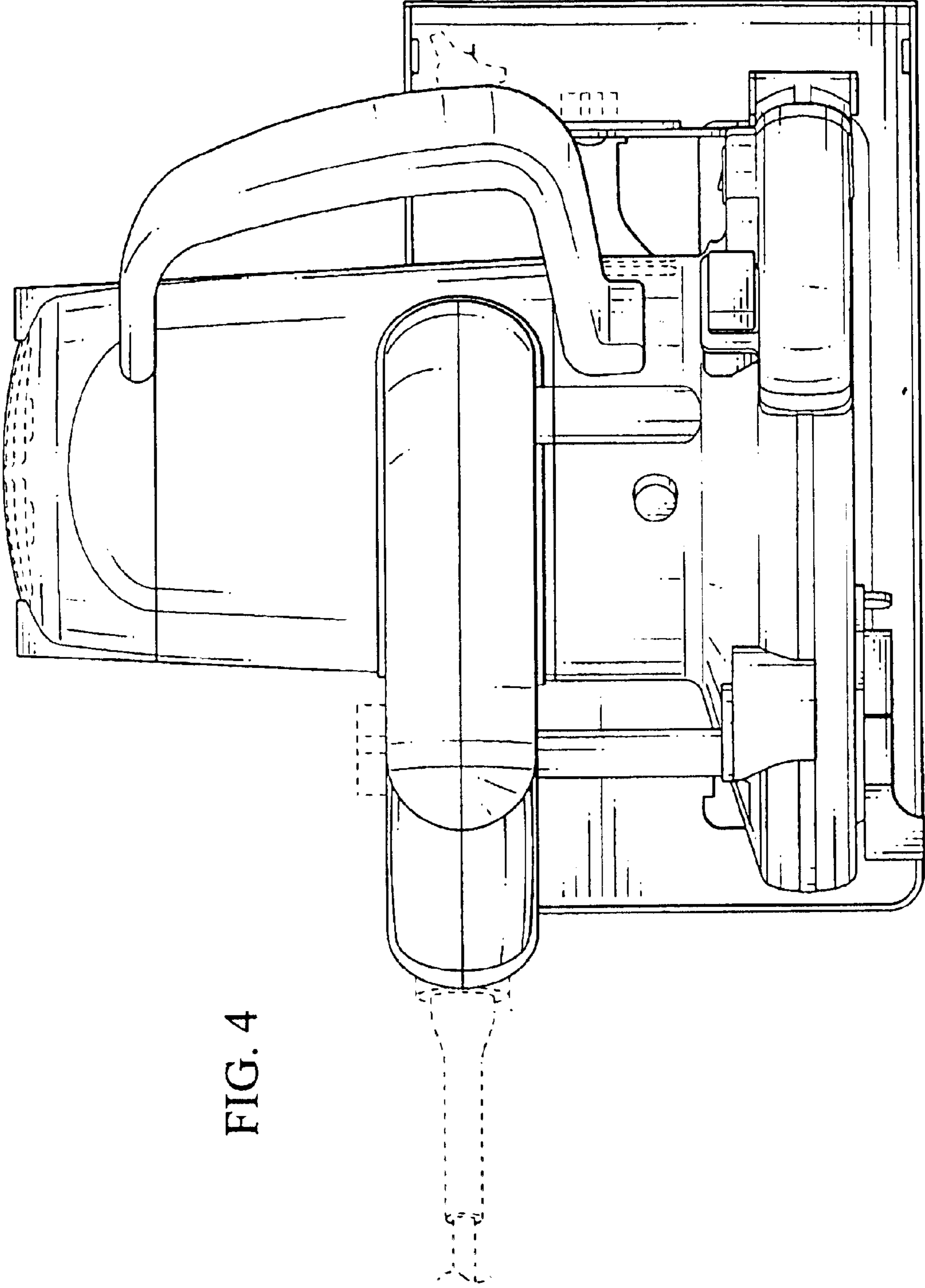


FIG. 4

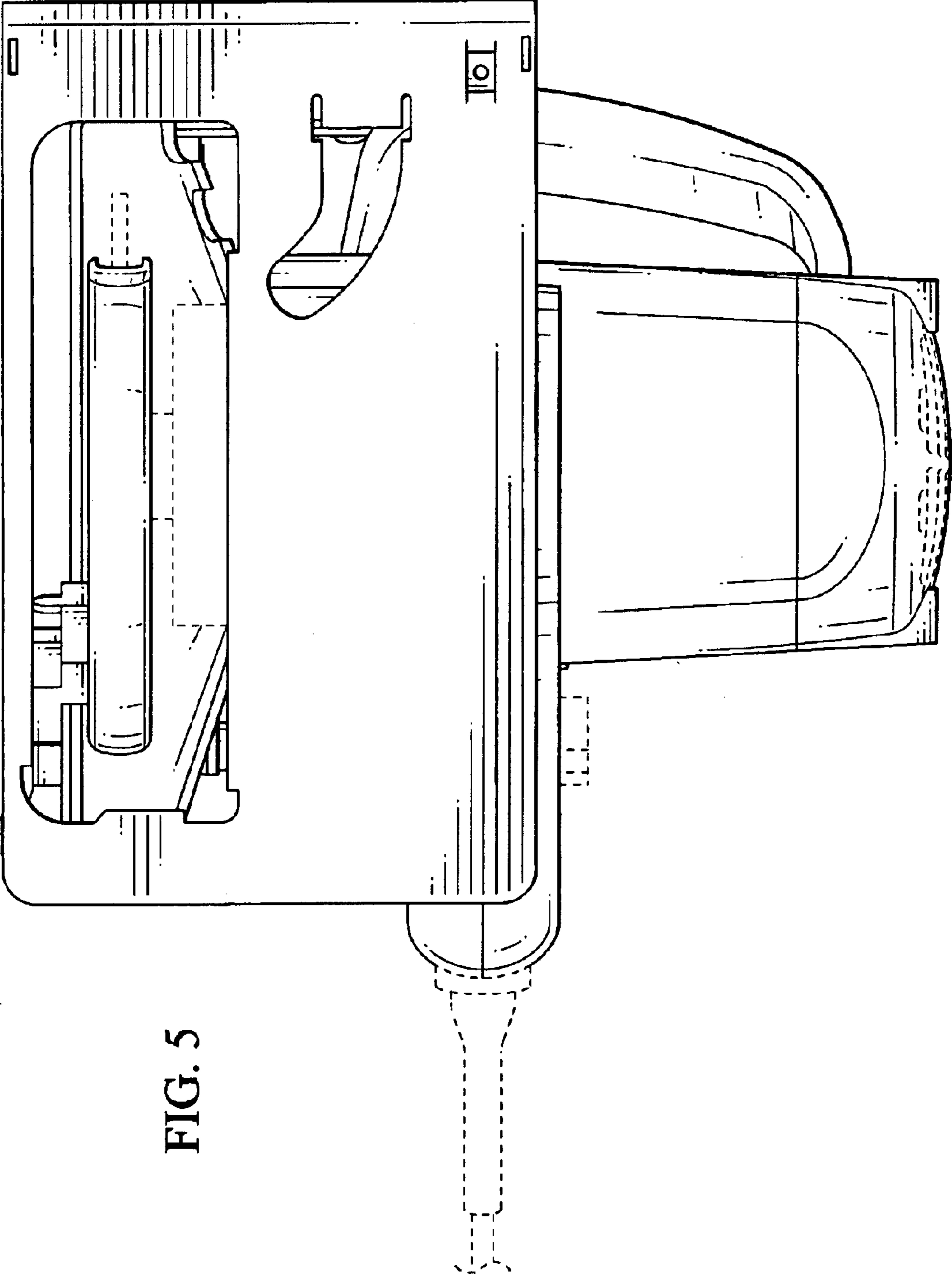


FIG. 5

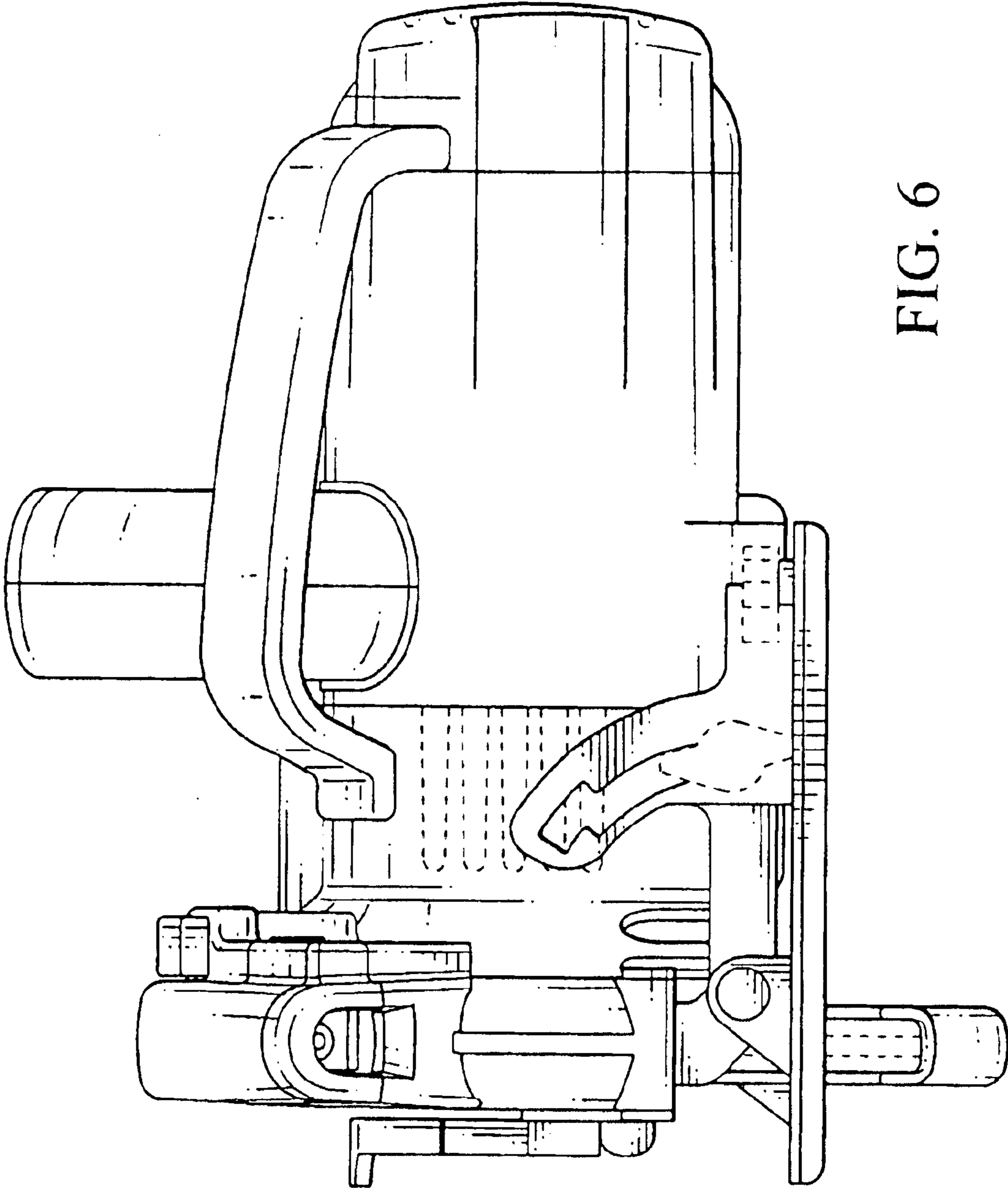


FIG. 6

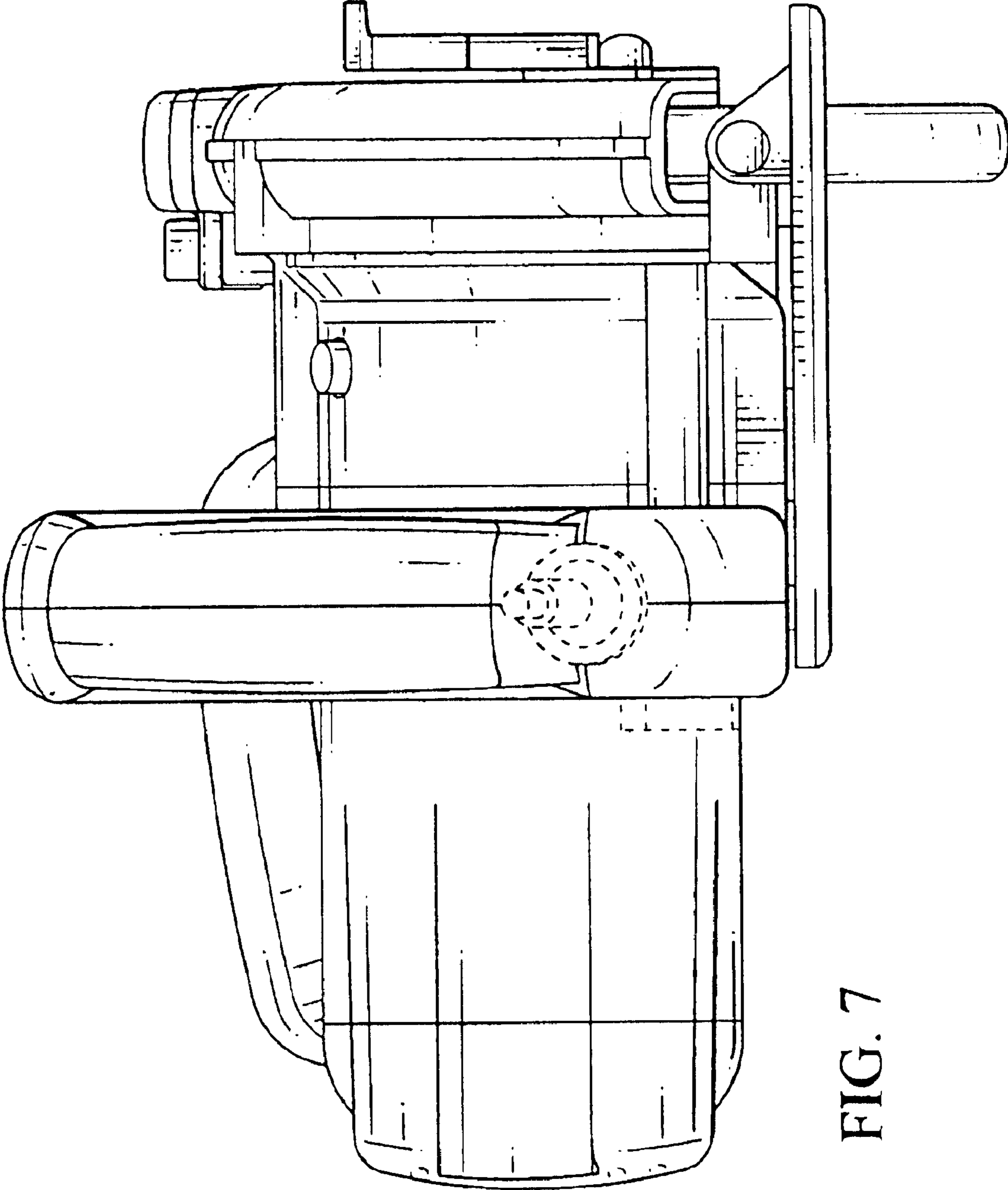


FIG. 7