

US00D502073S

(12) **United States Design Patent**  
**Andriolo**

(10) **Patent No.:** **US D502,073 S**  
(45) **Date of Patent:** **\*\* Feb. 22, 2005**

- (54) **CIRCULAR SAW**
- (75) Inventor: **Paolo Andriolo, Vicenza (IT)**
- (73) Assignee: **Positec Power Tools (Suzhou) Co., Ltd. (CN)**
- (\*\*) Term: **14 Years**
- (21) Appl. No.: **29/189,335**
- (22) Filed: **Sep. 3, 2003**
- (30) **Foreign Application Priority Data**  
Mar. 10, 2003 (CN) ..... 03 3 14984
- (51) **LOC (7) Cl.** ..... **08-03**
- (52) **U.S. Cl.** ..... **D8/66**
- (58) **Field of Search** ..... D8/61, 64, 66,  
D8/67, 68, 69; 30/373, 374, 375, 376, 377,  
388, 390, 391, 166.3; 125/13.01; 144/218

- D428,319 S \* 7/2000 Gallagher ..... D8/66
- 6,161,293 A \* 12/2000 Watson ..... 30/377
- D449,503 S \* 10/2001 Tsuzuki et al. .... D8/66
- D466,385 S \* 12/2002 Shigo et al. .... D8/66
- D470,376 S \* 2/2003 Chunn et al. .... D8/66
- D492,564 S \* 7/2004 Zemlok et al. .... D8/66
- 2002/0144405 A1 \* 10/2002 Moore et al. .... 30/123
- 2004/0045176 A1 \* 3/2004 Koukal et al. .... 30/391
- 2004/0134076 A1 \* 7/2004 Moore et al. .... 30/166.3

\* cited by examiner

*Primary Examiner*—Joel A. Sincavage  
*Assistant Examiner*—Elizabeth Albert  
(74) *Attorney, Agent, or Firm*—Briggs and Morgan, P.A.

(57) **CLAIM**

The ornamental design for a circular saw, as shown and described.

**DESCRIPTION**

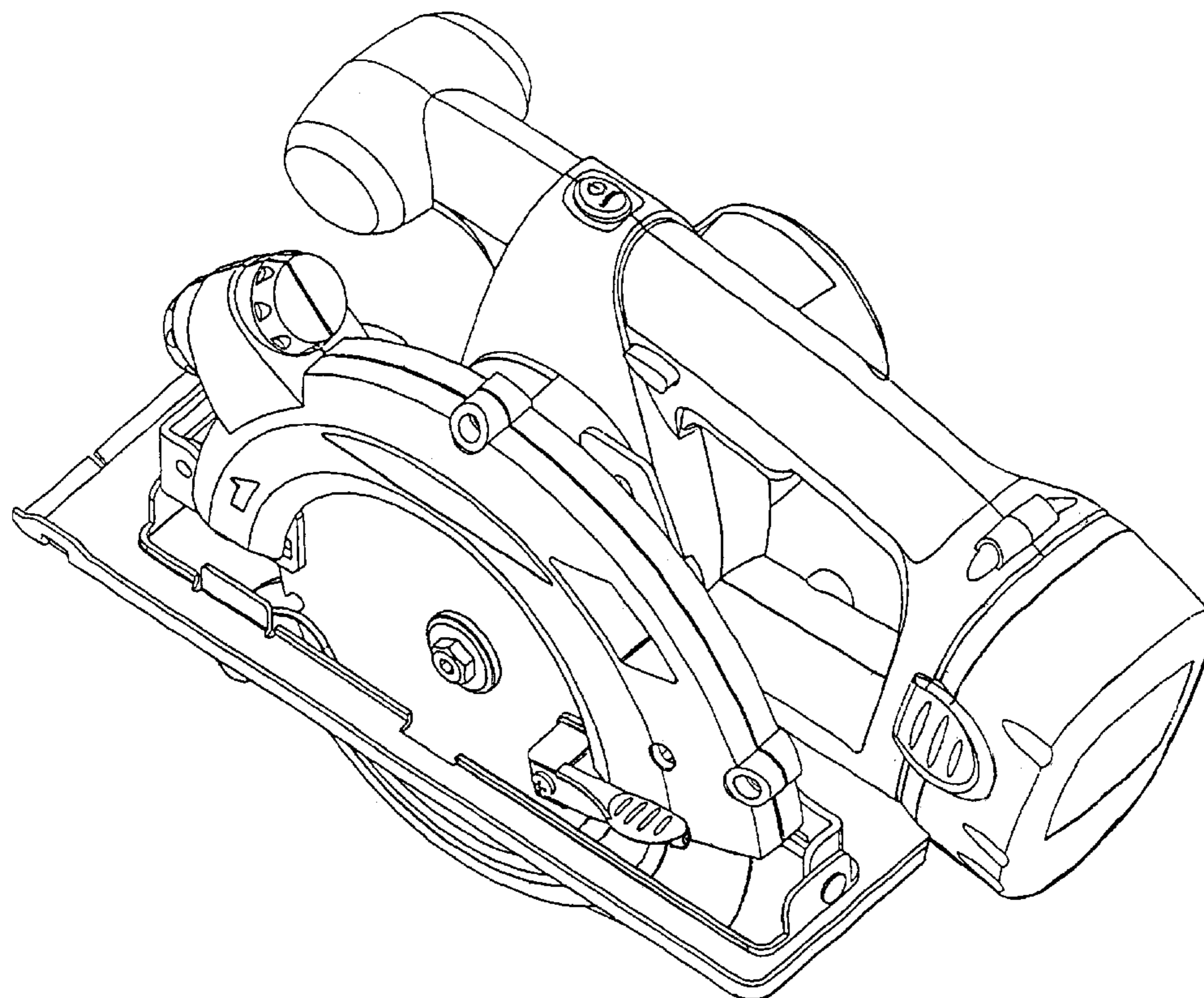
FIG. 1 is a perspective view showing my new design for a circular saw;  
FIG. 2 is a front elevational view;  
FIG. 3 is a rear elevational view;  
FIG. 4 is a left side elevational view;  
FIG. 5 is a right side elevational view;  
FIG. 6 is a top plan view; and,  
FIG. 7 is a bottom plan view.

**1 Claim, 7 Drawing Sheets**

(56) **References Cited**

**U.S. PATENT DOCUMENTS**

- D363,656 S \* 10/1995 Gierke ..... D8/66
- D408,248 S \* 4/1999 Zurwelle et al. .... D8/66
- D411,425 S \* 6/1999 Sugimoto et al. .... D8/66
- D421,702 S \* 3/2000 Sakai et al. .... D8/66
- D427,872 S \* 7/2000 Snider ..... D8/66
- D427,874 S \* 7/2000 Hayakawa et al. .... D8/66
- D428,318 S \* 7/2000 Gallagher et al. .... D8/66



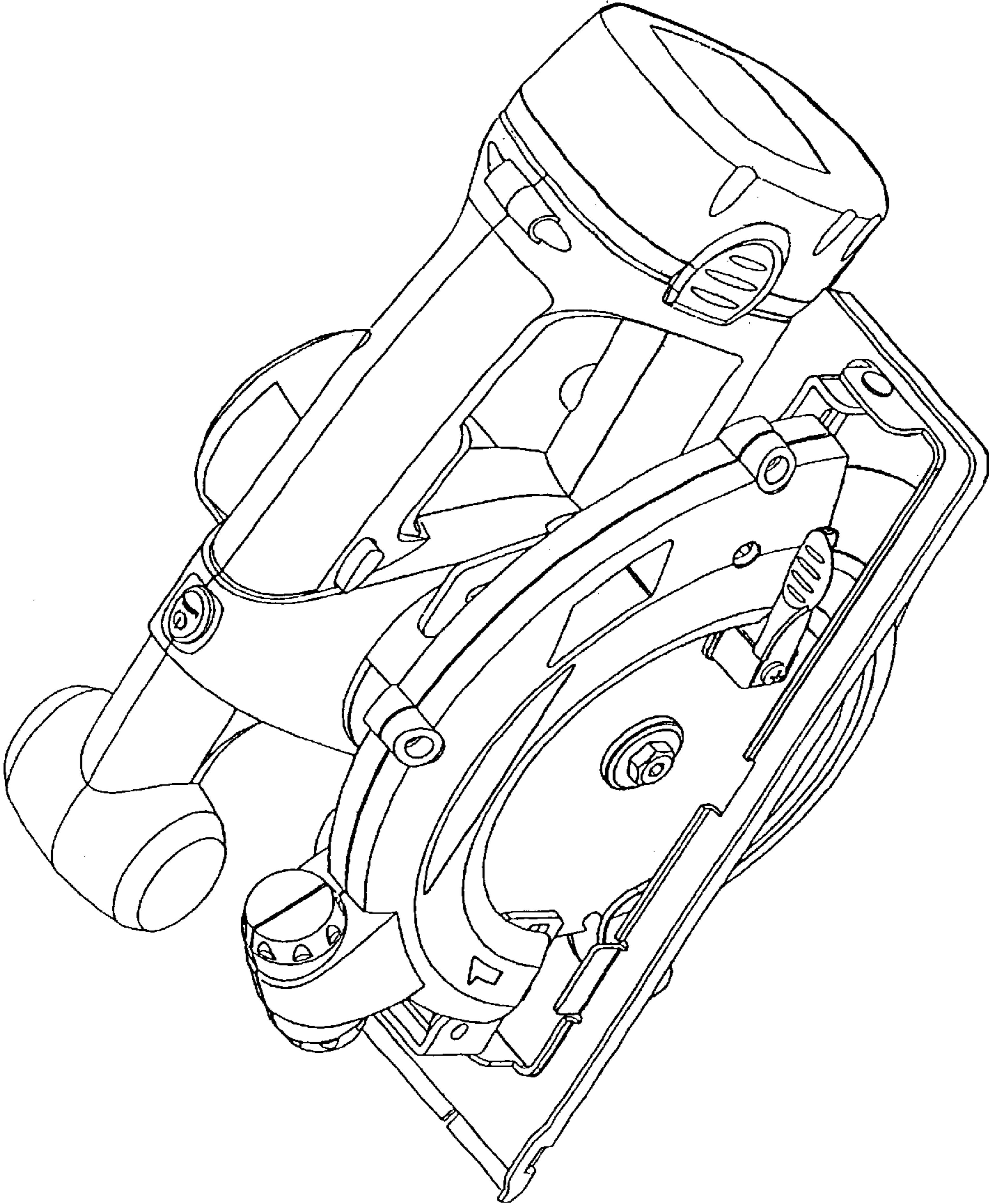


Figure 1

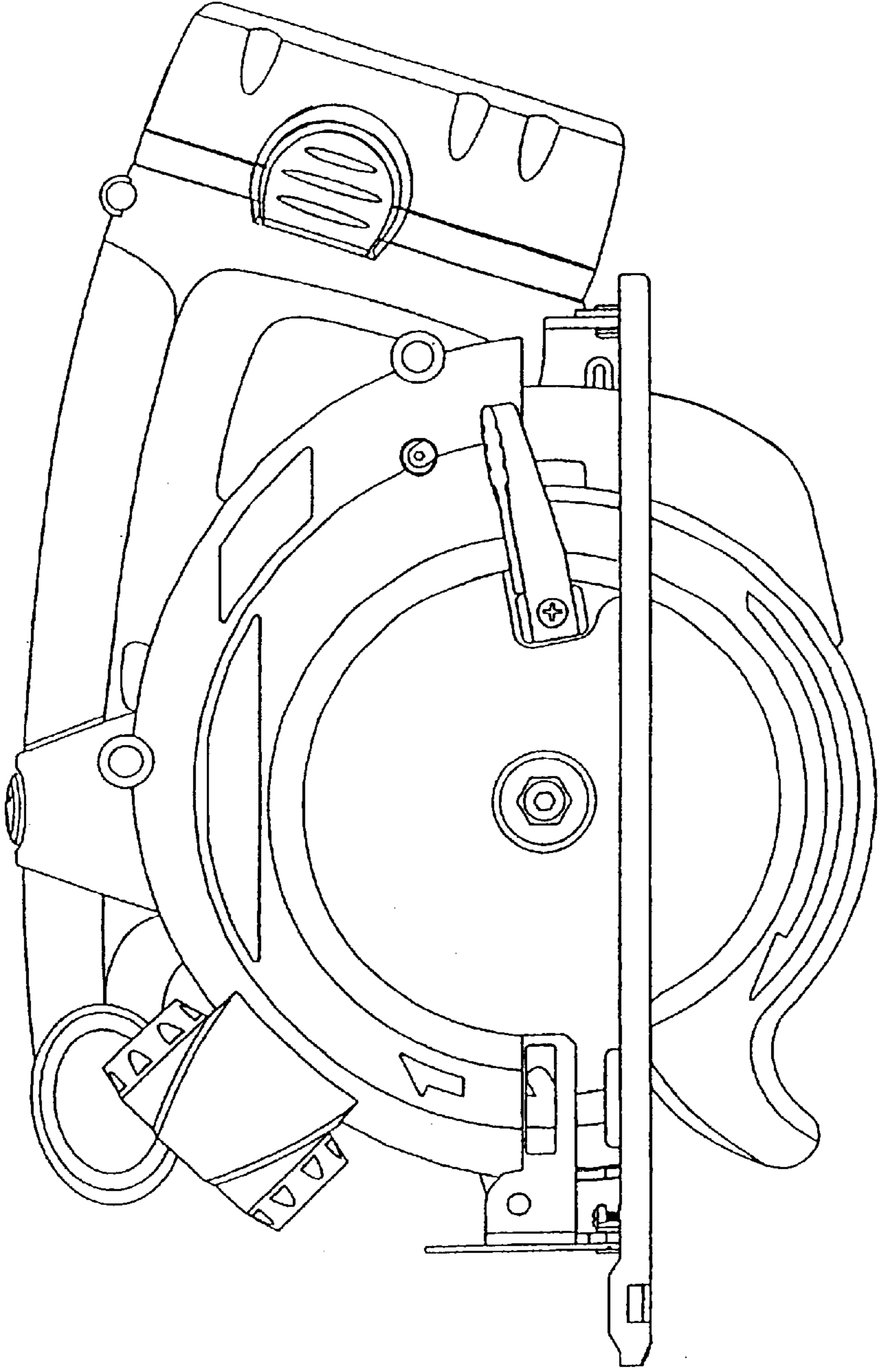


Figure 2

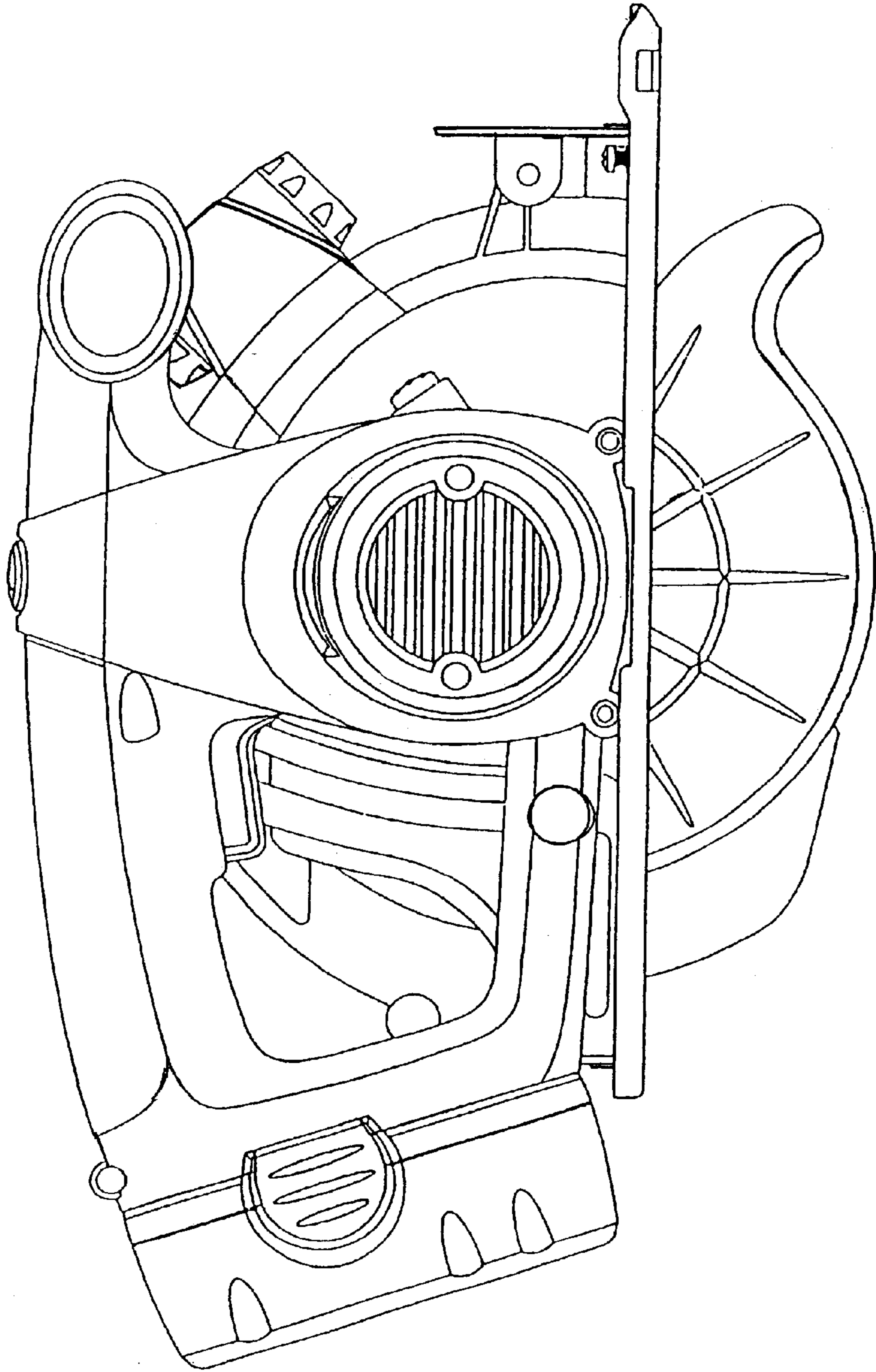


Figure 3

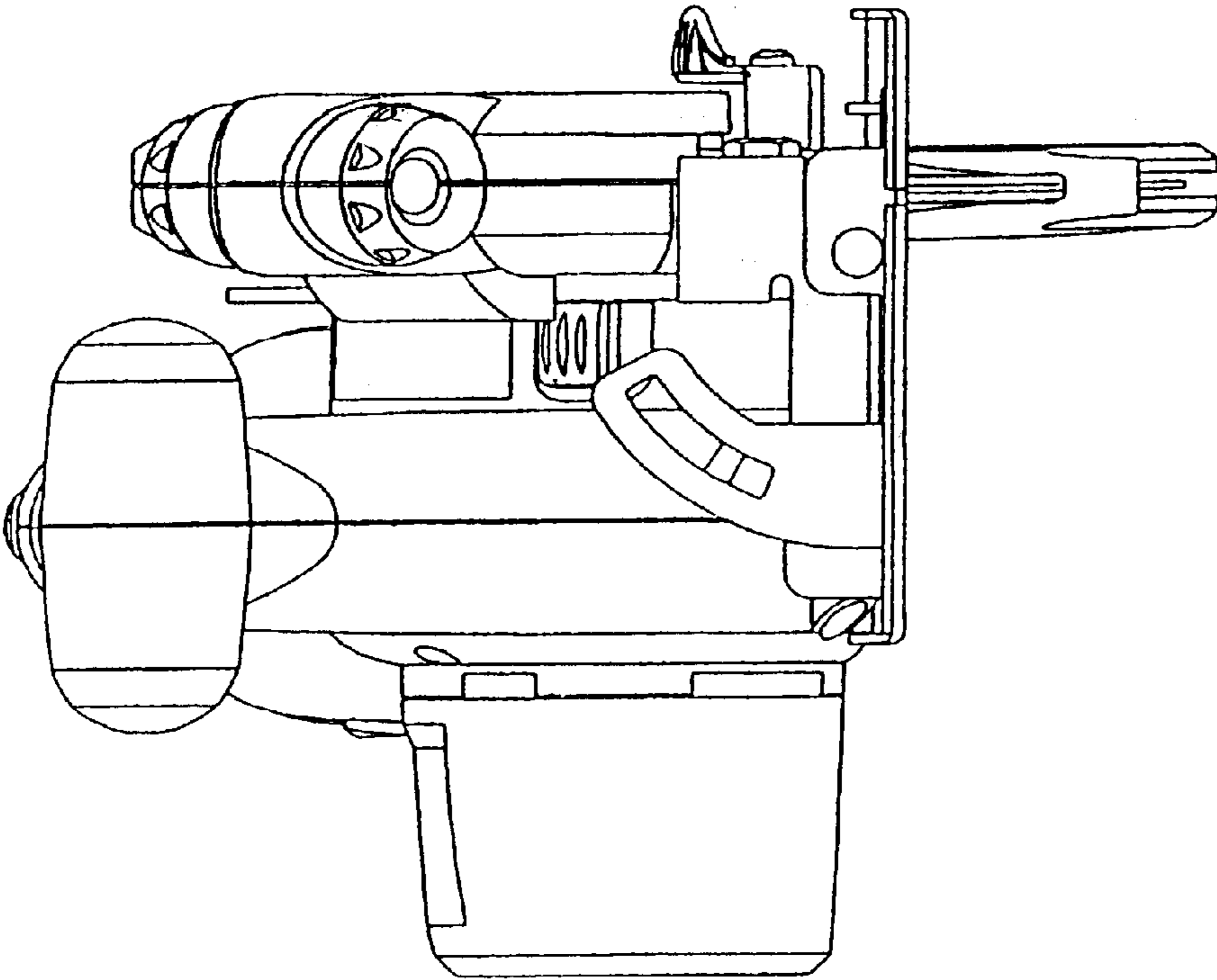


Figure 4

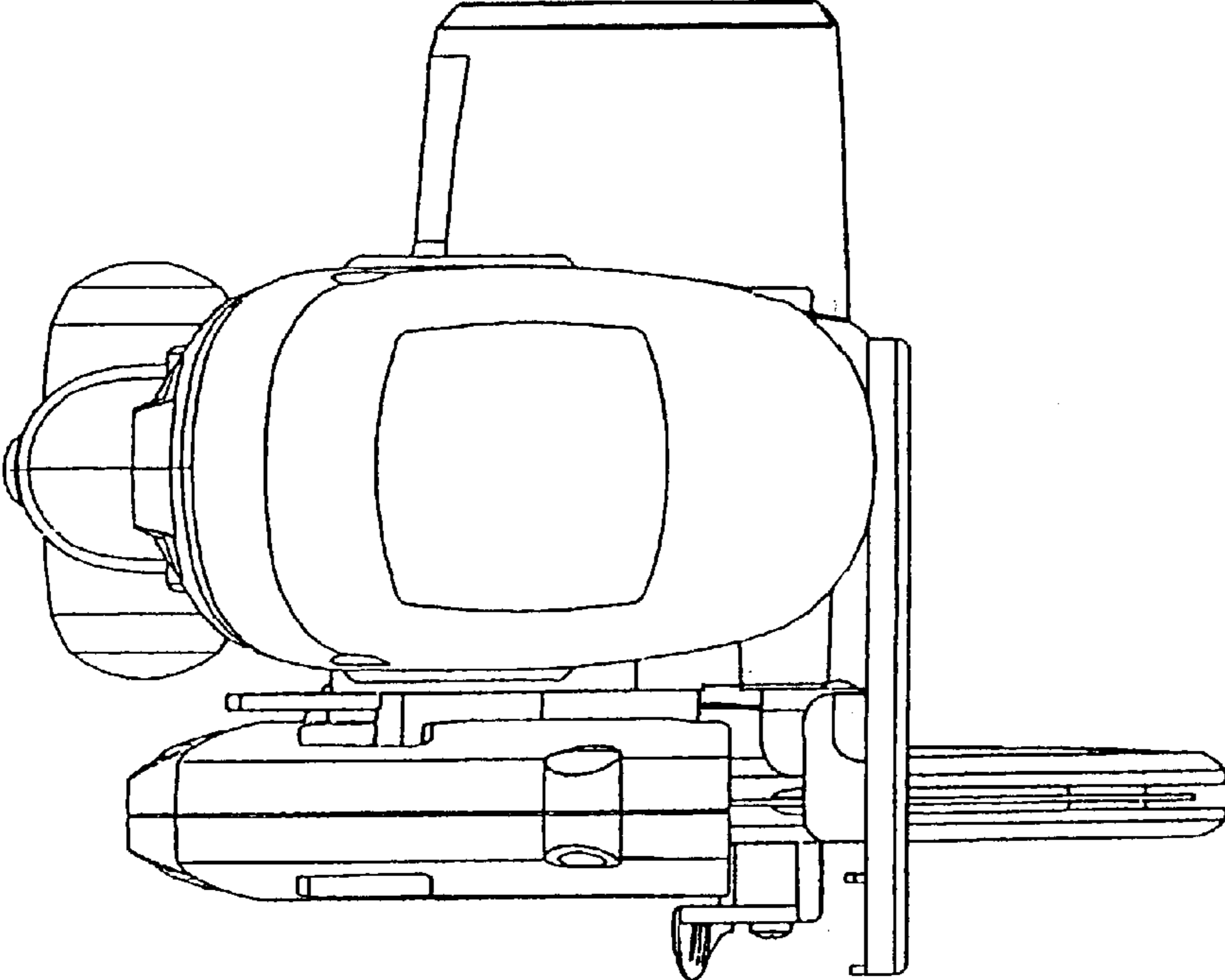


Figure 5

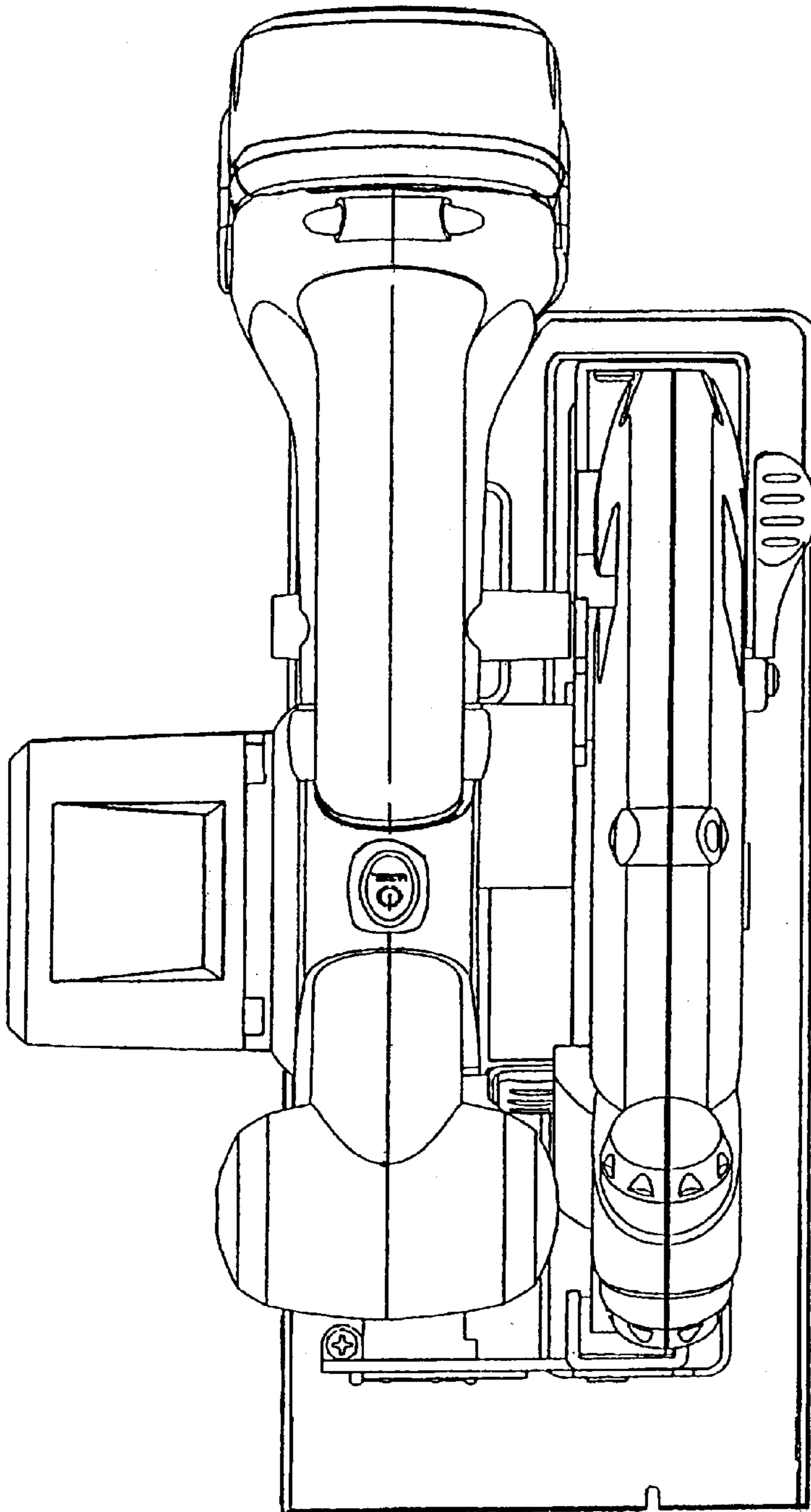


Figure 6

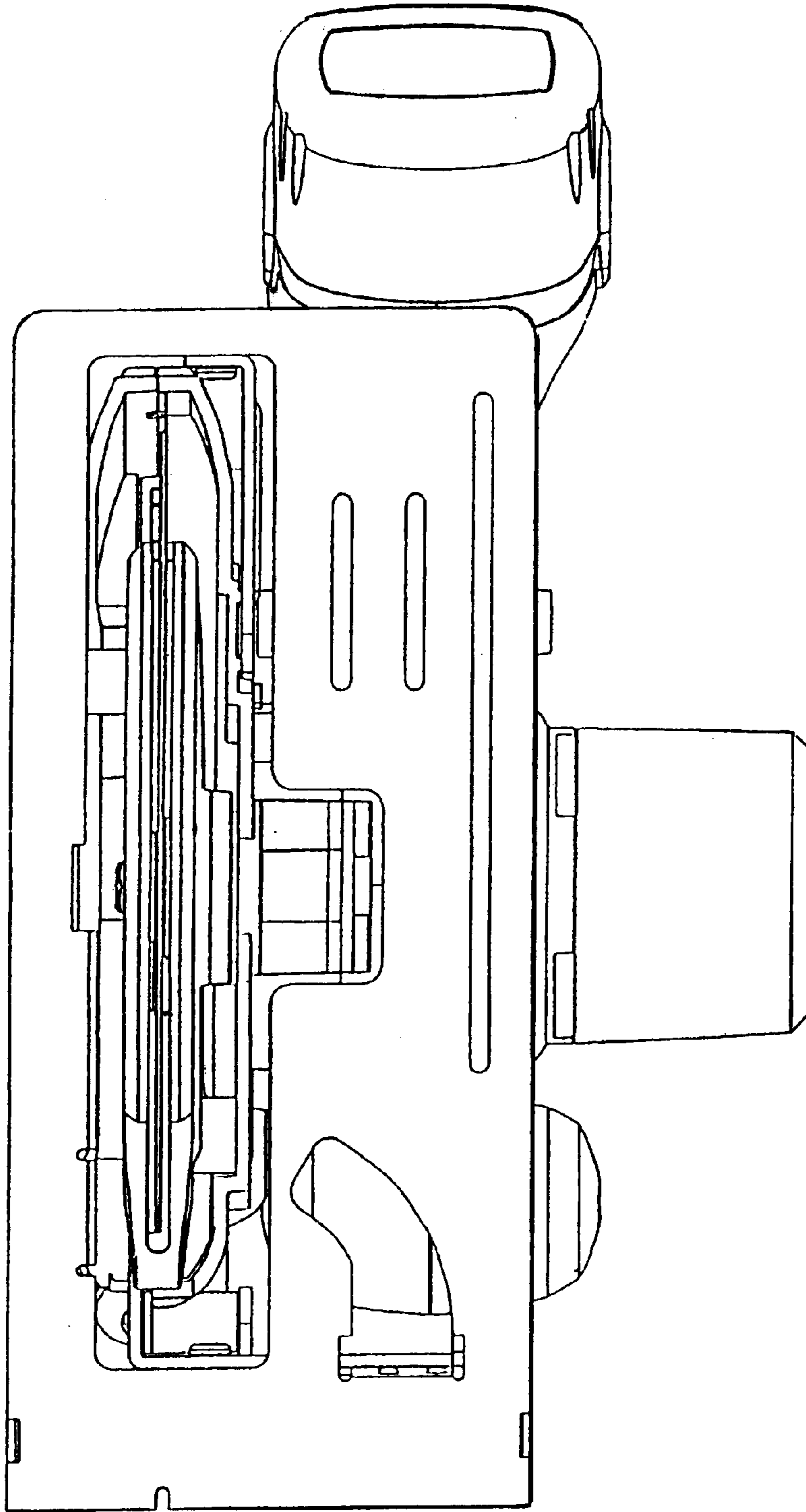


Figure 7