

US00D502072S

(12) **United States Design Patent** (10) **Patent No.:** **US D502,072 S**
Wright (45) **Date of Patent:** **** Feb. 22, 2005**

(54) **BELT SANDER**
 (75) Inventor: **Stuart Wright**, Timonium, MD (US)
 (73) Assignee: **Black & Decker Inc.**, Newark, DE (US)
 (**) Term: **14 Years**
 (21) Appl. No.: **29/200,876**
 (22) Filed: **Mar. 5, 2004**

D321,464 S 11/1991 Mikiya
 D321,465 S 11/1991 Mikiya
 5,074,081 A * 12/1991 Beth et al. 451/344
 D323,099 S 1/1992 Sakamoto et al.
 5,094,000 A 3/1992 Becht et al.
 D328,695 S * 8/1992 Hoshino et al. D8/69
 D335,618 S 5/1993 Mogaki
 D338,382 S 8/1993 Fukuda et al.
 D340,849 S 11/1993 Izumisawa
 D351,544 S 10/1994 Izumisawa
 D351,545 S 10/1994 Izumisawa
 D357,393 S 4/1995 Kazama et al.
 D365,507 S 12/1995 Pope
 D384,870 S 10/1997 Yamaguchi
 5,725,086 A * 3/1998 Cooper 200/302.3
 5,772,498 A * 6/1998 Neubert et al. 451/357
 D400,073 S 10/1998 Hara
 5,947,804 A * 9/1999 Fukinuki et al. 451/357
 D420,875 S 2/2000 Okitsu et al.
 6,036,589 A 3/2000 Reilly et al.

Related U.S. Application Data

(62) Division of application No. 29/182,458, filed on May 27, 2003, now Pat. No. Des. 492,563.
 (51) **LOC (7) Cl.** **08-01**
 (52) **U.S. Cl.** **D8/62**
 (58) **Field of Search** D8/61, 62, 67, D8/69; 173/168, 169, 170, 171; 310/50; 451/294, 344, 351, 353, 354, 355, 356, 357, 358, 359

(List continued on next page.)

Primary Examiner—Joel A. Sincavage
Assistant Examiner—Elizabeth Albert
 (74) *Attorney, Agent, or Firm*—Michael P. Leary; Charles E. Yocum; Adan Ayala

(56) **References Cited**

U.S. PATENT DOCUMENTS

D166,045 S 2/1952 Moore
 2,686,392 A 8/1954 Moore
 D176,001 S 11/1955 Bentley
 2,991,595 A 7/1961 Addis
 D200,865 S 4/1965 Landell
 D205,080 S 6/1966 Averitt
 3,312,116 A 4/1967 Blevins
 3,359,689 A 12/1967 McCarty et al.
 3,393,573 A 7/1968 Beckering et al.
 3,429,078 A 2/1969 Beckering
 3,431,686 A 3/1969 Bergker
 D238,927 S 2/1976 Abdre et al.
 4,115,957 A 9/1978 Porth et al.
 4,177,609 A * 12/1979 Rameckers et al. 451/355
 4,334,390 A 6/1982 Sumerau
 4,584,797 A 4/1986 Wanninkhof et al.
 D286,737 S 11/1986 House, II et al.
 D303,206 S 9/1989 Yother et al.
 4,967,516 A 11/1990 Hoshino et al.

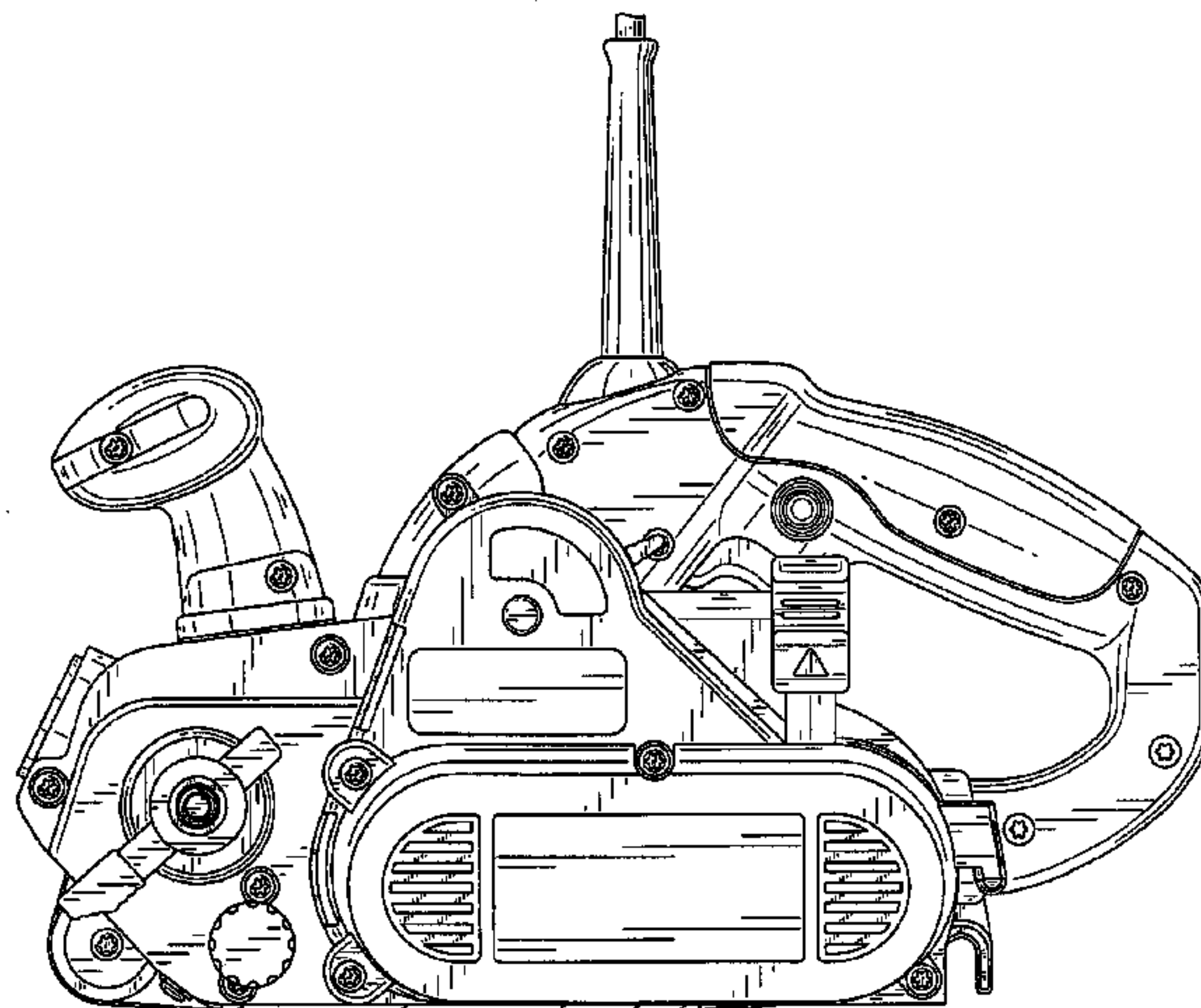
(57) **CLAIM**

The ornamental design for a belt sander, as shown and described.

DESCRIPTION

FIG. 1 is a front perspective view of a belt sander showing my new design.
 FIG. 2 is a front view of the belt sander of FIG. 1.
 FIG. 3 is a rear view of the belt sander of FIG. 1.
 FIG. 4 is a right side view of the belt sander of FIG. 1.
 FIG. 5 is a left side view of the belt sander of FIG. 1.
 FIG. 6 is a top view of the belt sander of FIG. 1; and,
 FIG. 7 is a bottom view of the belt sander of FIG. 1.
 The broken lines and the areas within the broken lines form no part of the claimed ornamental design.

1 Claim, 7 Drawing Sheets



US D502,072 S

Page 2

U.S. PATENT DOCUMENTS

6,126,529	A	10/2000	Beyer				
6,159,085	A	* 12/2000	Hara	451/451		
D453,668	S	* 2/2002	Pretzell	D8/62		
D475,594	S	* 6/2003	Bian	D8/62		
							* cited by examiner
						D478,261	S * 8/2003 Sham D8/62
						D487,008	S * 2/2004 Andriolo D8/62
						6,688,349	B2 * 2/2004 Razlan et al. 144/154.5

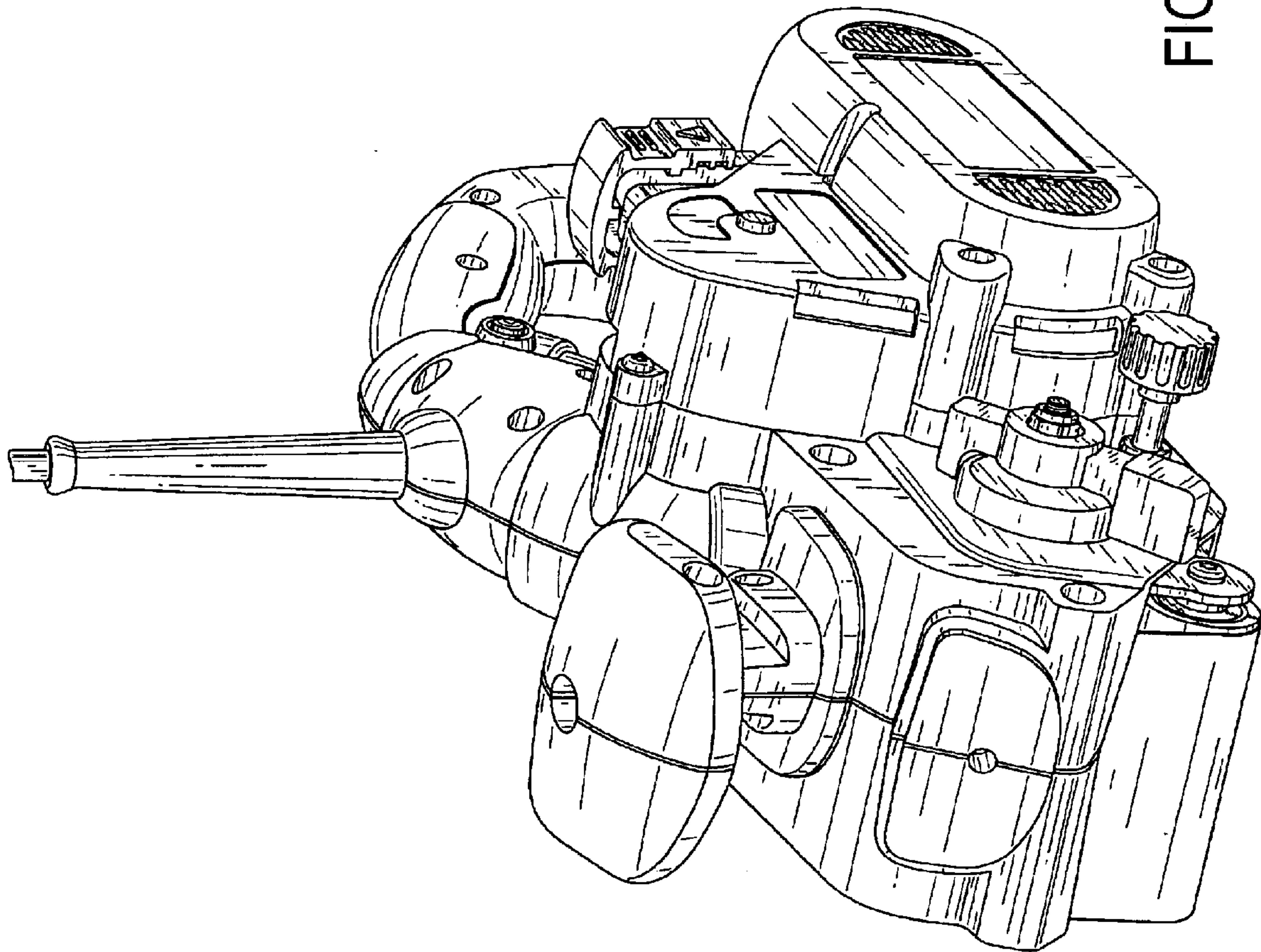


FIG. 1

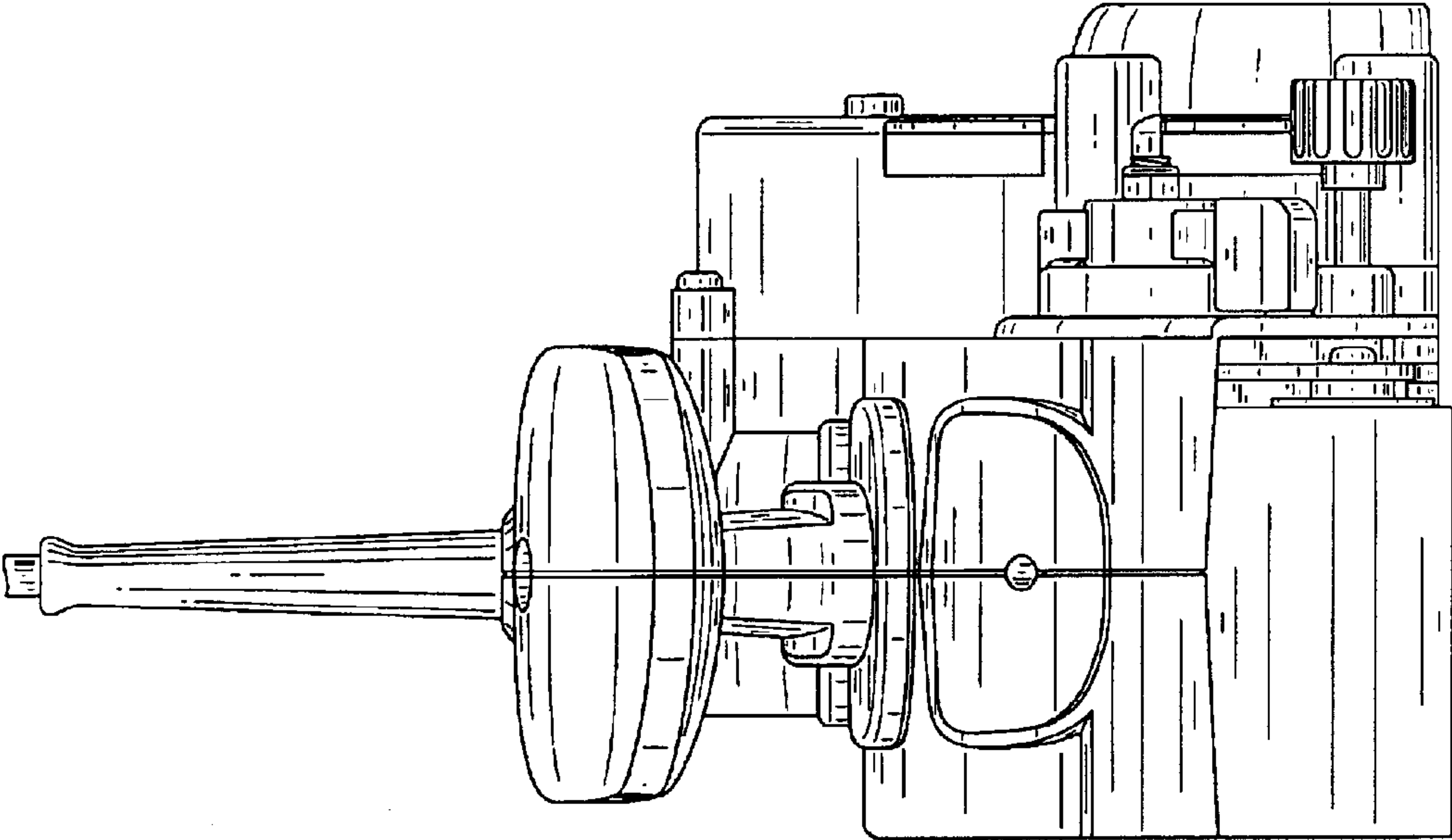


FIG. 2

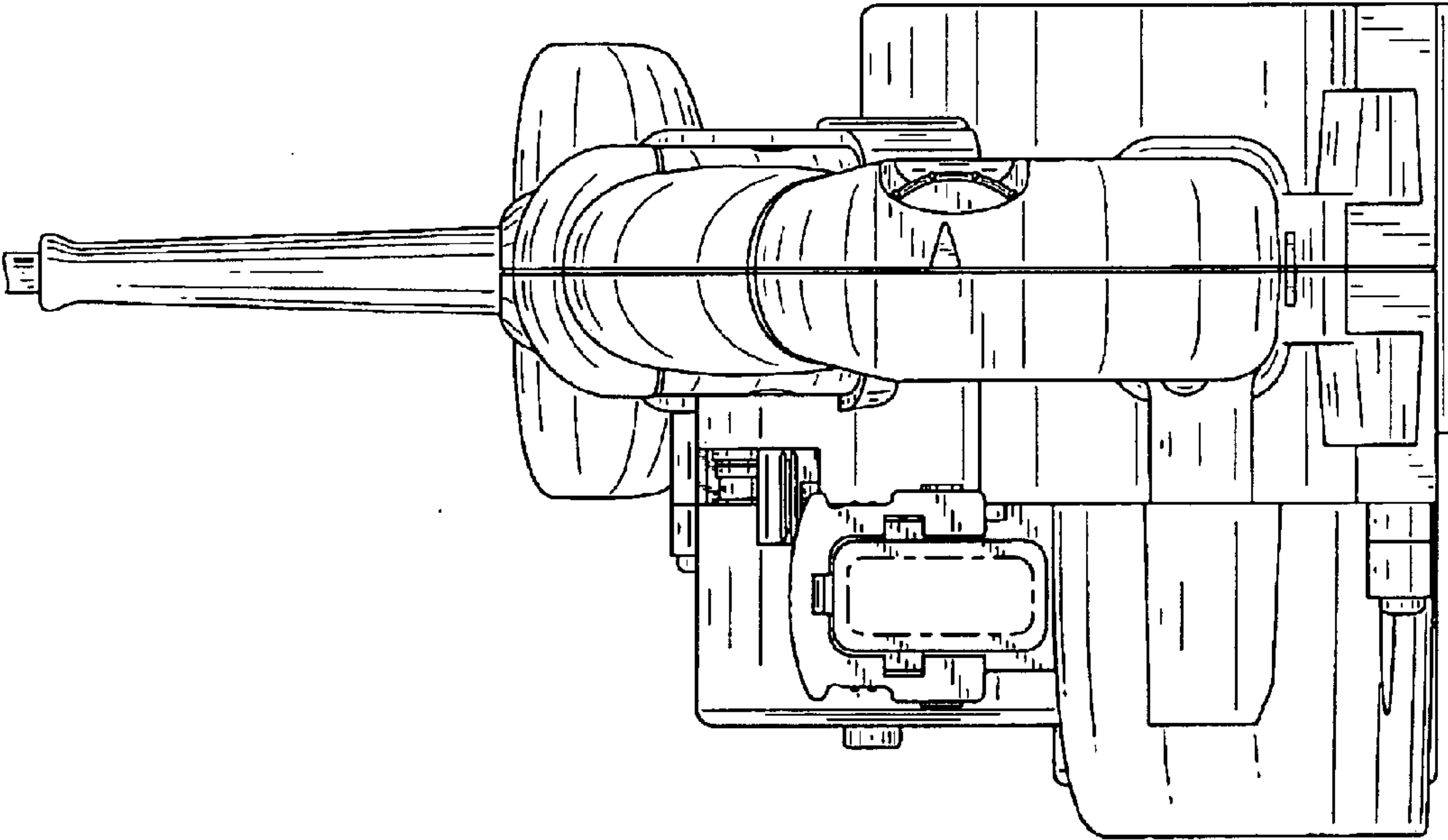


FIG. 3

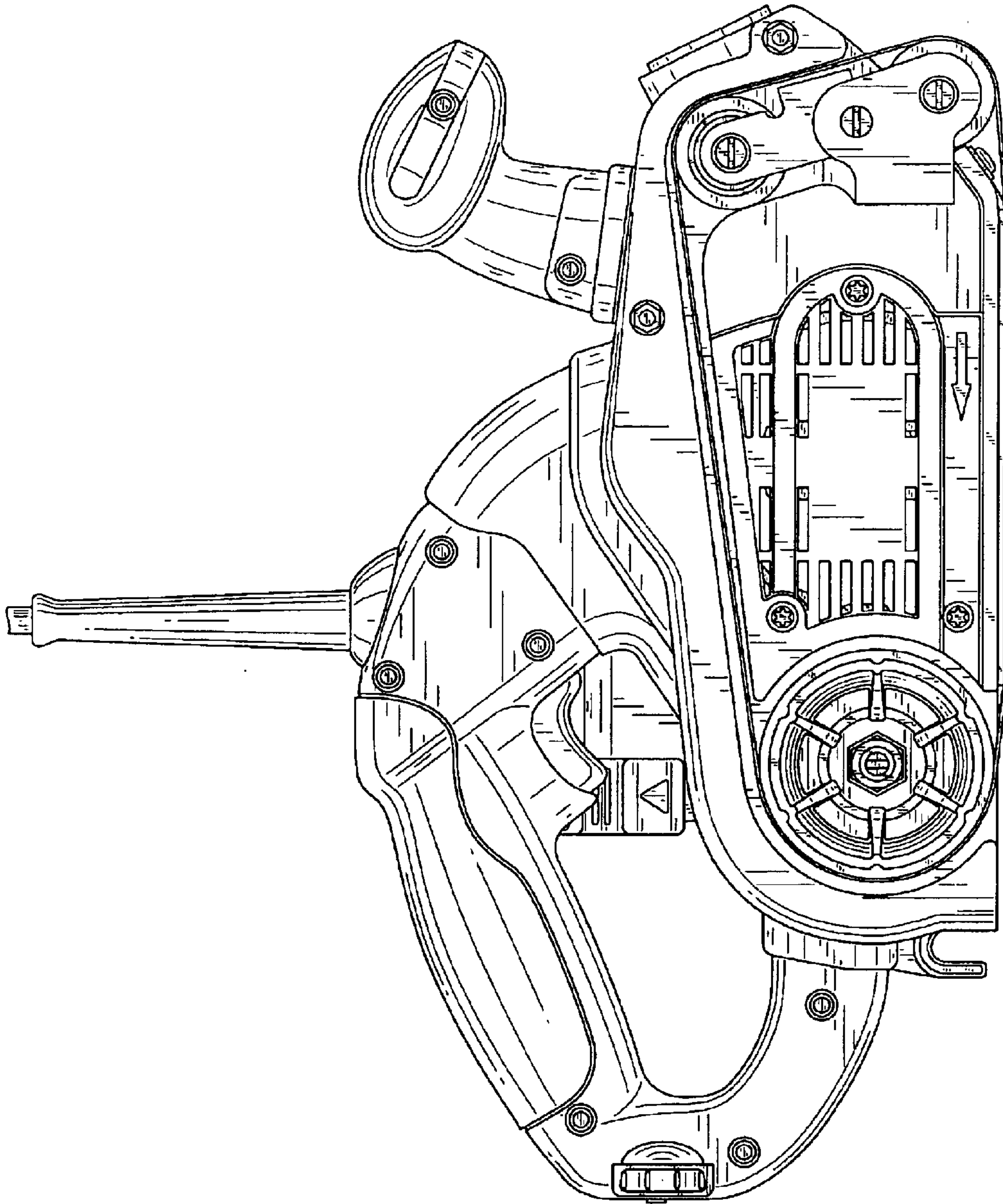


FIG. 4

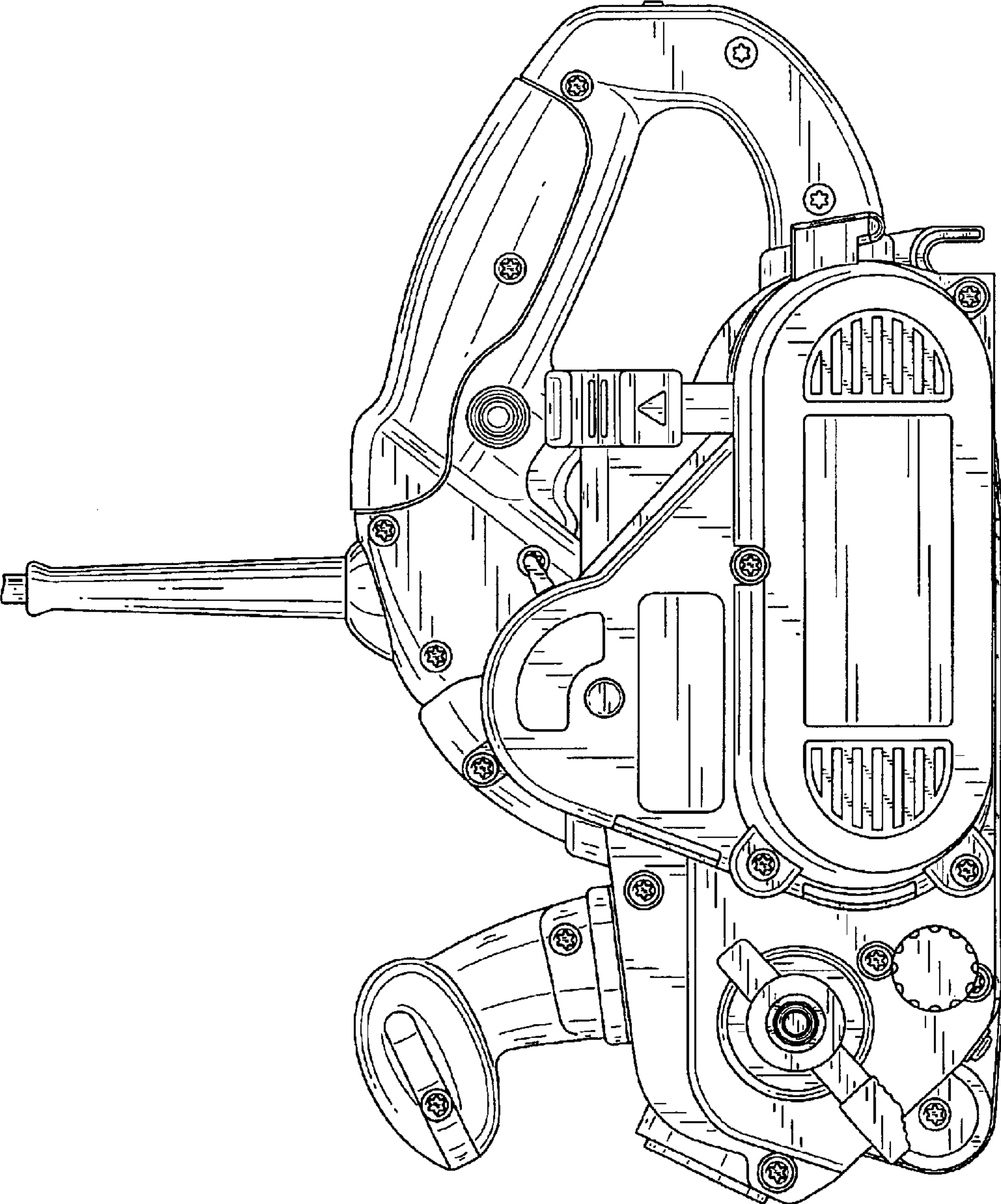


FIG. 5

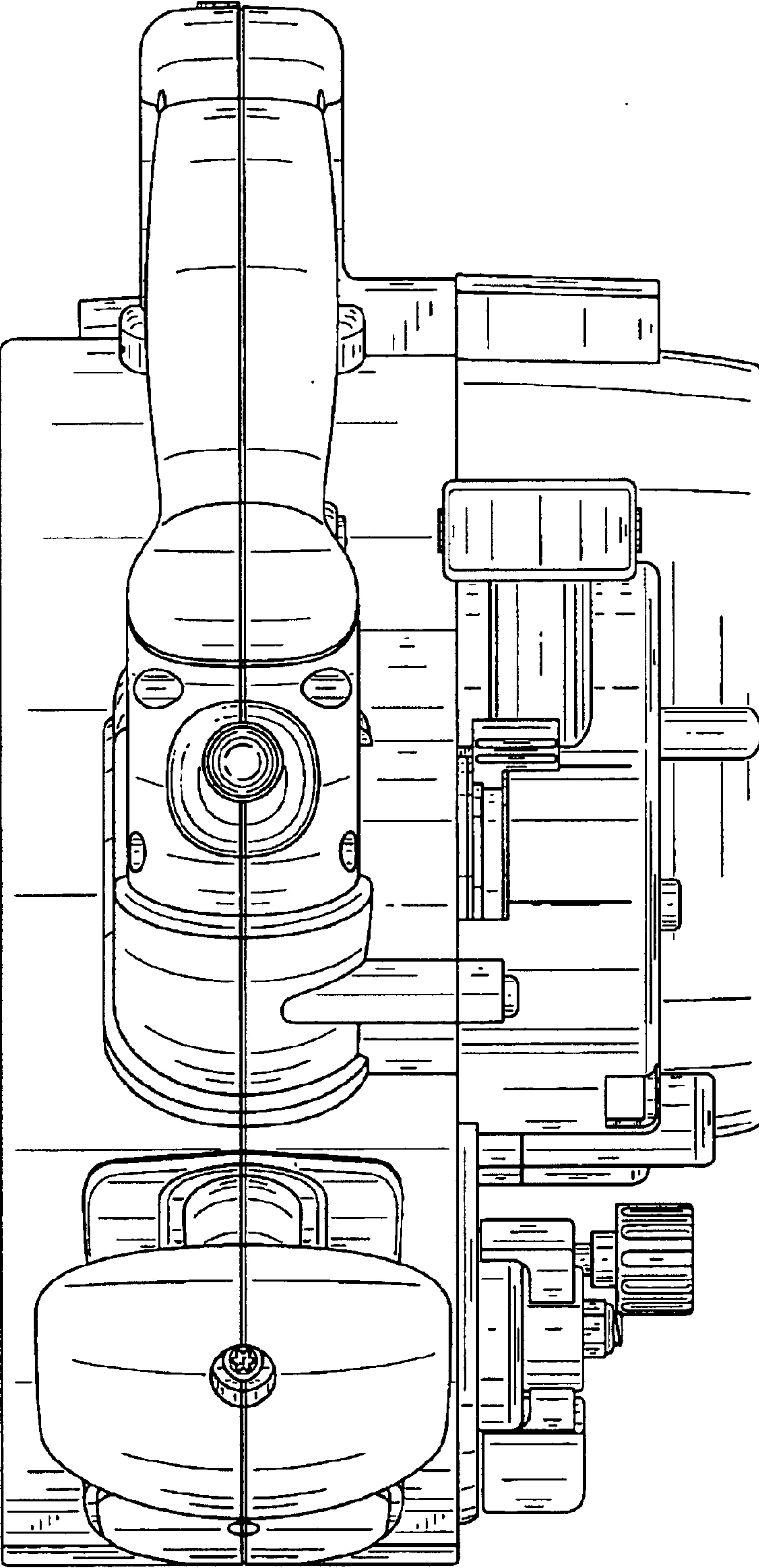


FIG. 6

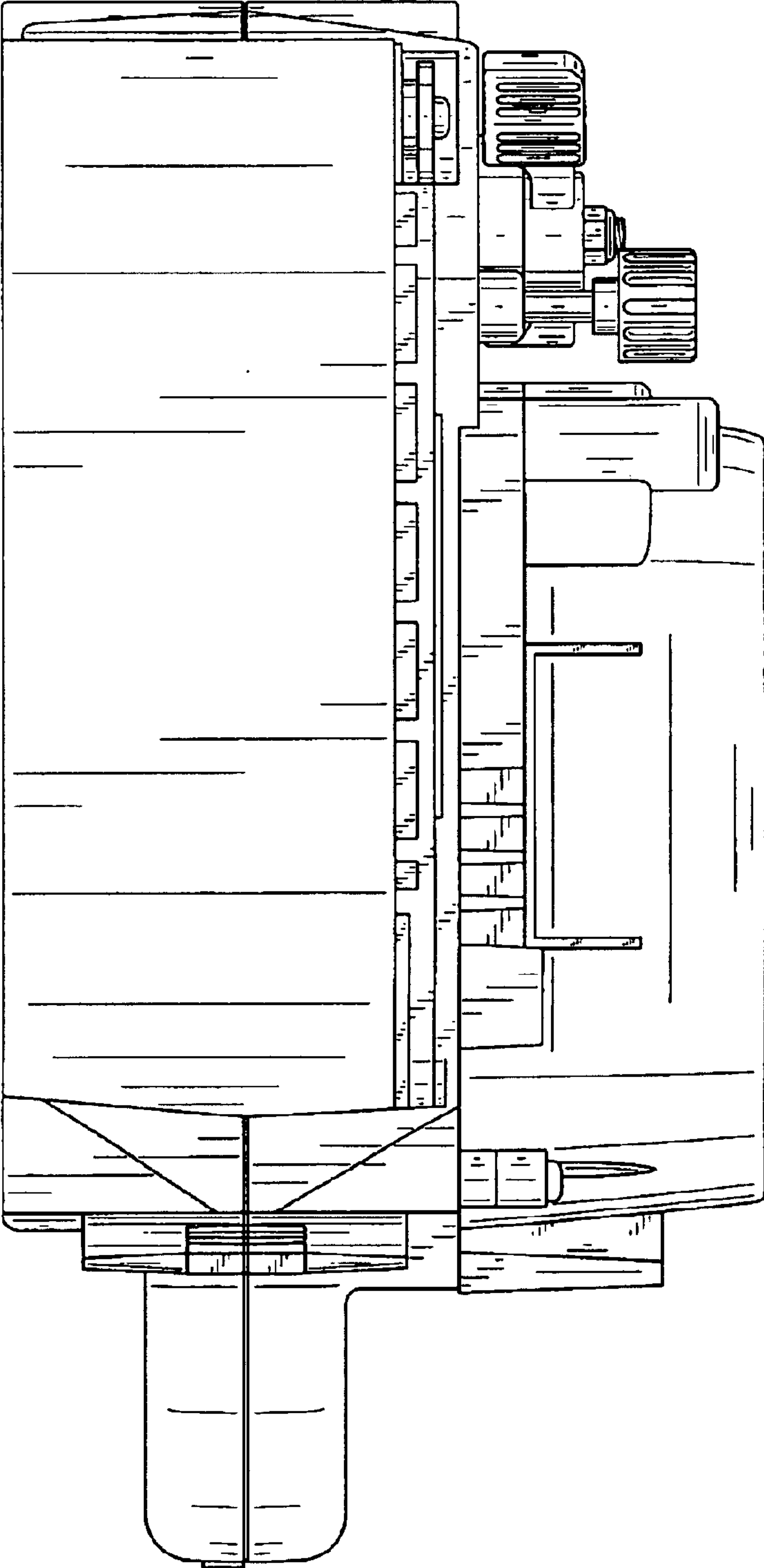


FIG. 7