

US00D502064S

(12) **United States Design Patent** (10) **Patent No.:** **US D502,064 S**
Lee (45) **Date of Patent:** **** Feb. 22, 2005**

(54) **CHEESE SLICER**

(75) Inventor: **Shek Tang Lee, Tsuen Wan (HK)**

(73) Assignee: **Hung Sang Metal Plastic Factory Limited, Hong Kong (CN)**

(**) Term: **14 Years**

(21) Appl. No.: **29/198,393**

(22) Filed: **Jan. 30, 2004**

(30) **Foreign Application Priority Data**

Sep. 24, 2003 (HK) 0311576

(51) **LOC (7) Cl.** **07-04**

(52) **U.S. Cl.** **D7/695**

(58) **Field of Search** D7/673, 695; 30/113.3,
30/115, 116, 123.5, 123.7, 278, 780, 279.6,
282; 99/584, 588, 542-545

(56) **References Cited**

U.S. PATENT DOCUMENTS

D181,941 S * 1/1958 Murphree D7/695

* cited by examiner

Primary Examiner—Terry A. Wallace

(74) *Attorney, Agent, or Firm*—Harrison & Egbert

(57) **CLAIM**

I claim the ornamental design for a cheese slicer, as shown and described.

DESCRIPTION

FIG. 1 is a perspective view of the cheese slicer showing my design.

FIG. 2 is a front perspective view thereof;

FIG. 3 a side view thereof;

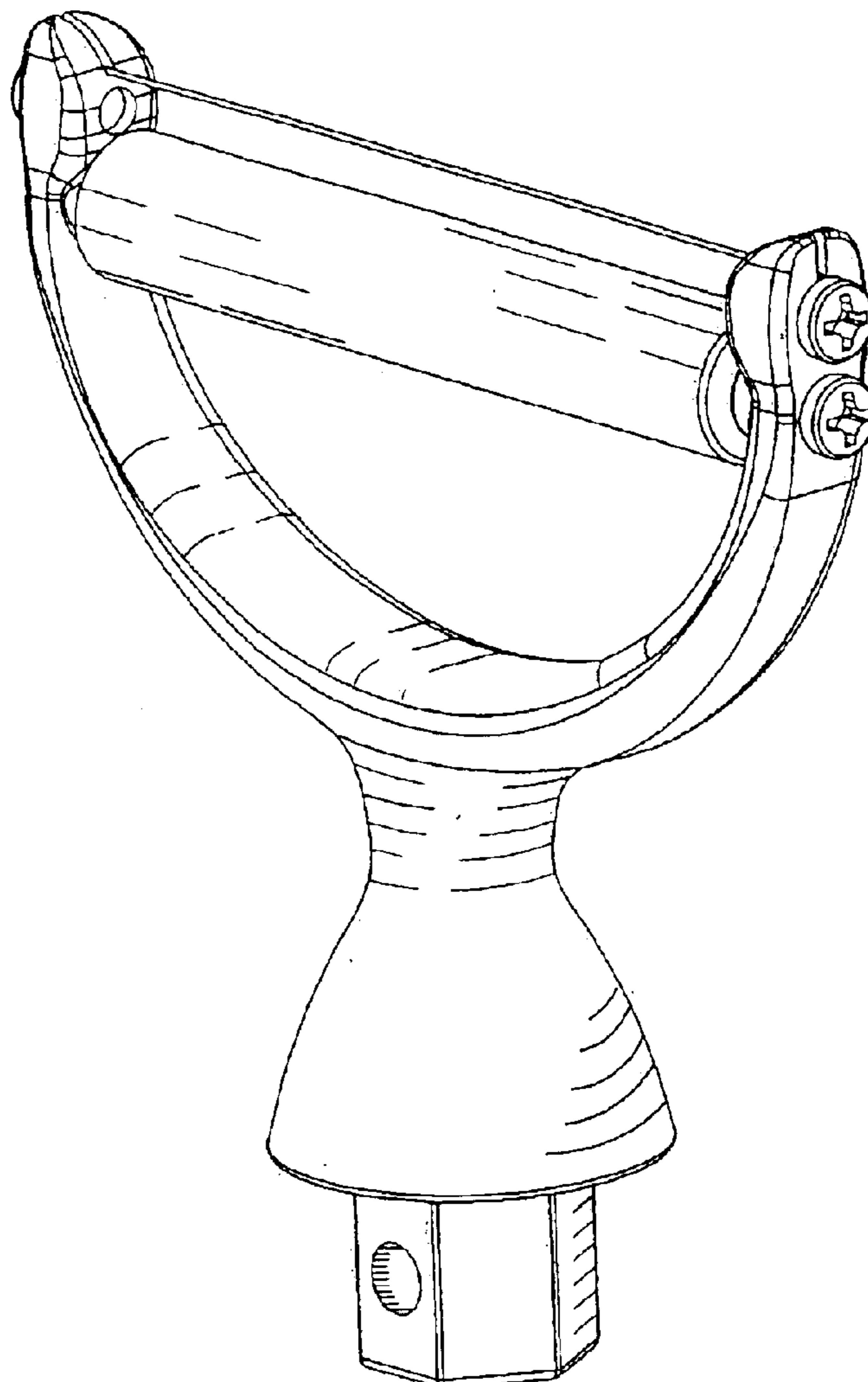
FIG. 4 is an opposite side view thereof;

FIG. 5 is a back perspective view thereof;

FIG. 6 is a bottom view thereof; and,

FIG. 7 is a top plan view thereof.

1 Claim, 7 Drawing Sheets



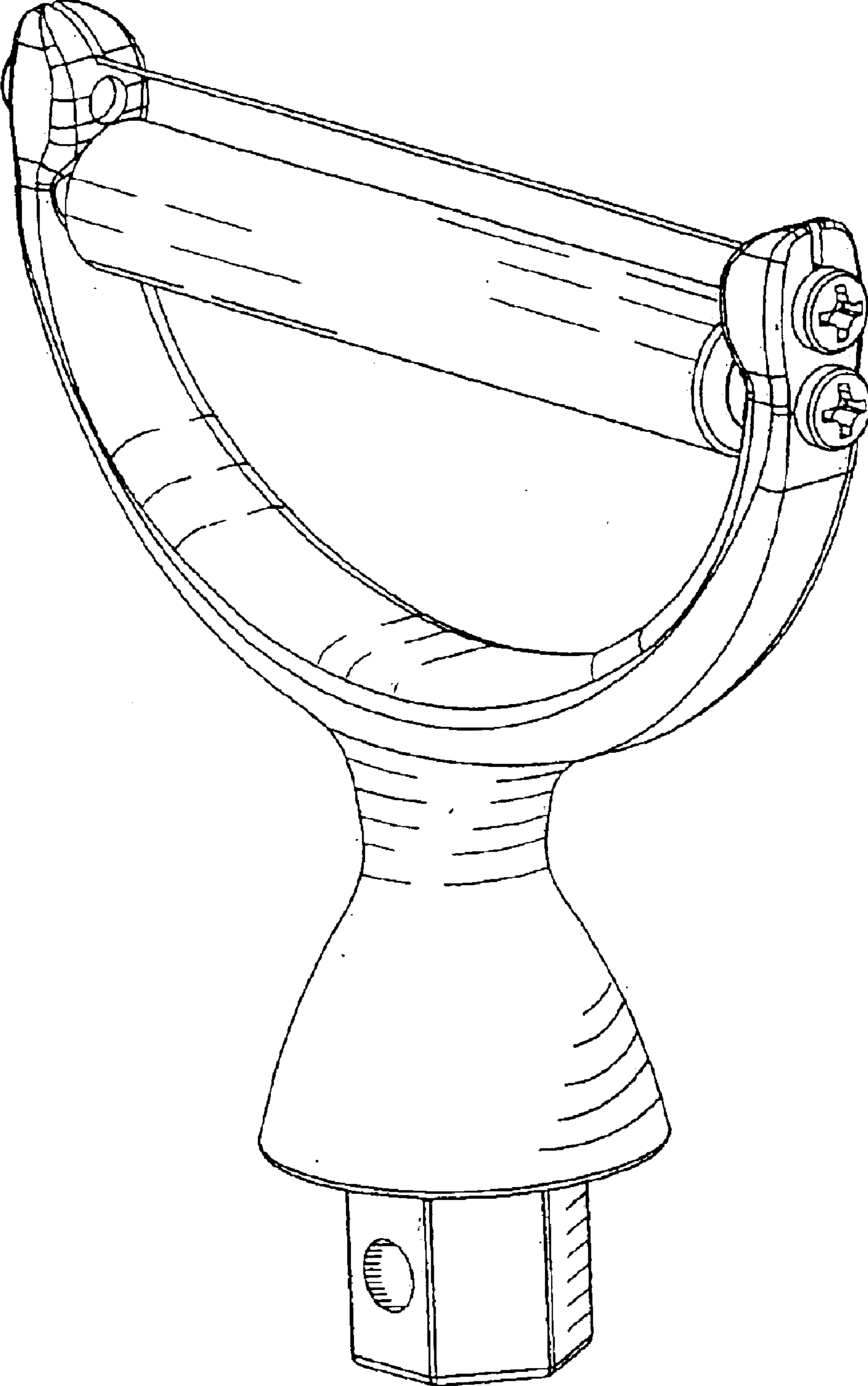


FIG. 1

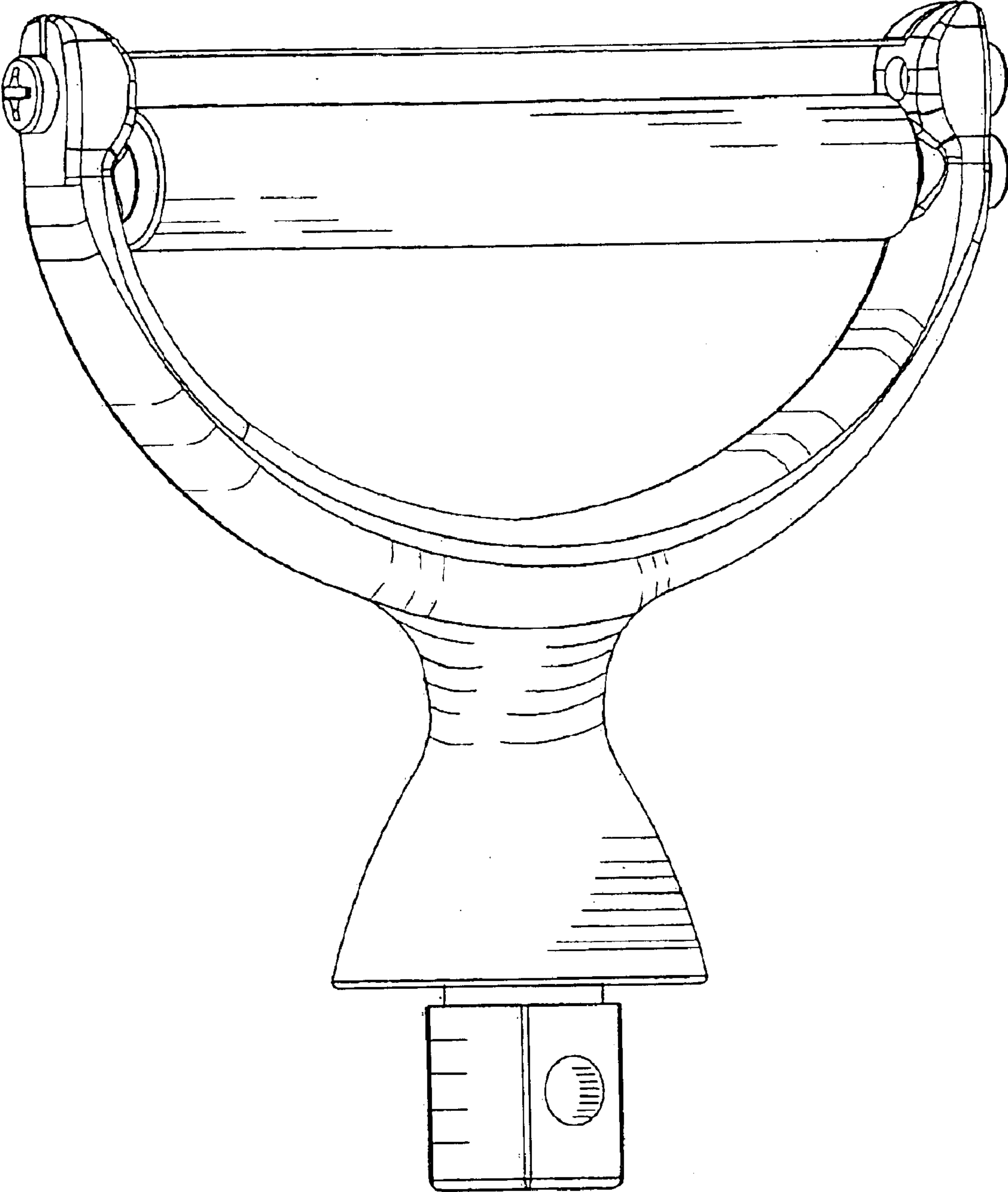


FIG. 2

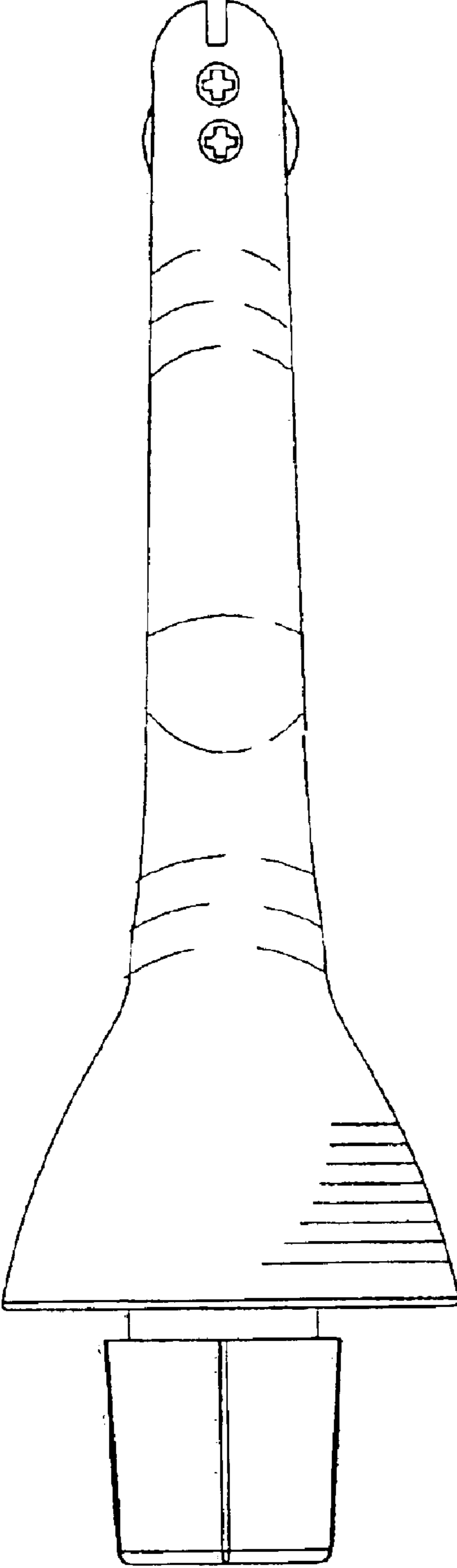


FIG. 3

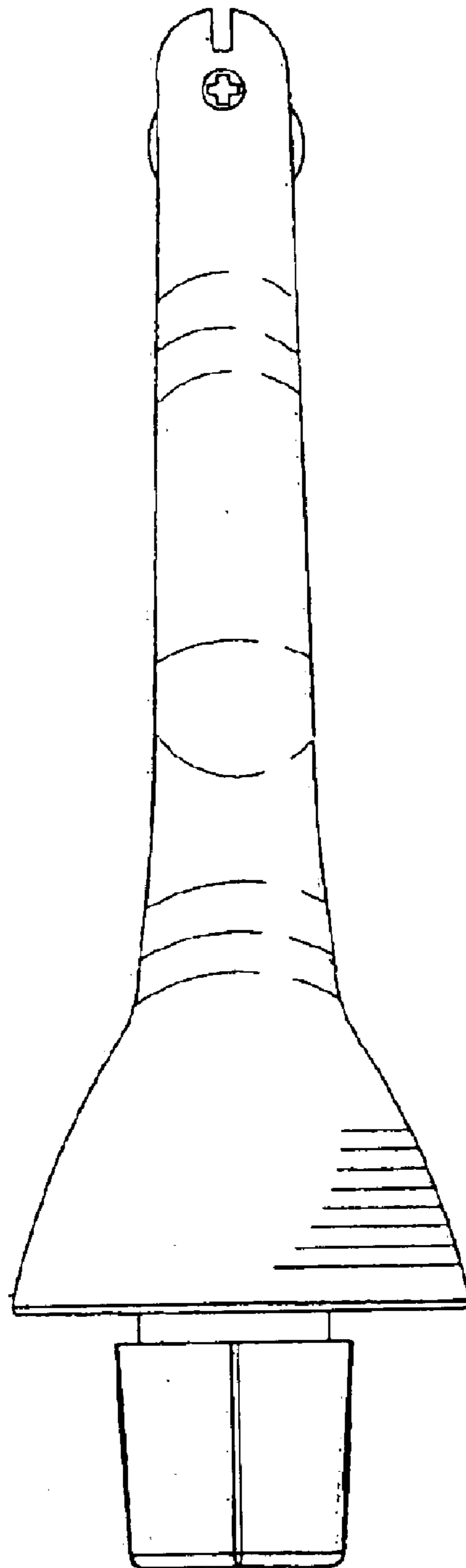


FIG. 4

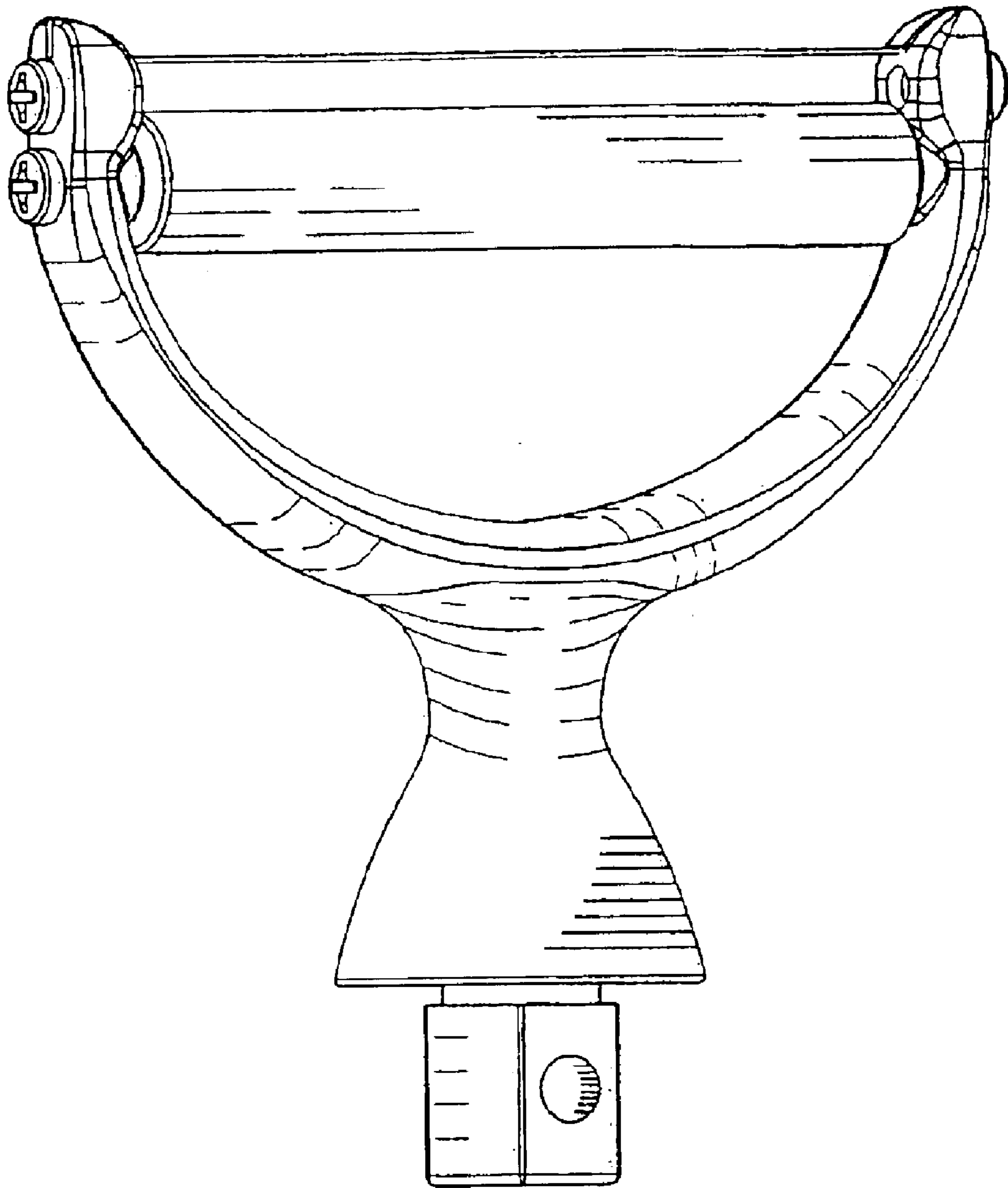


FIG. 5

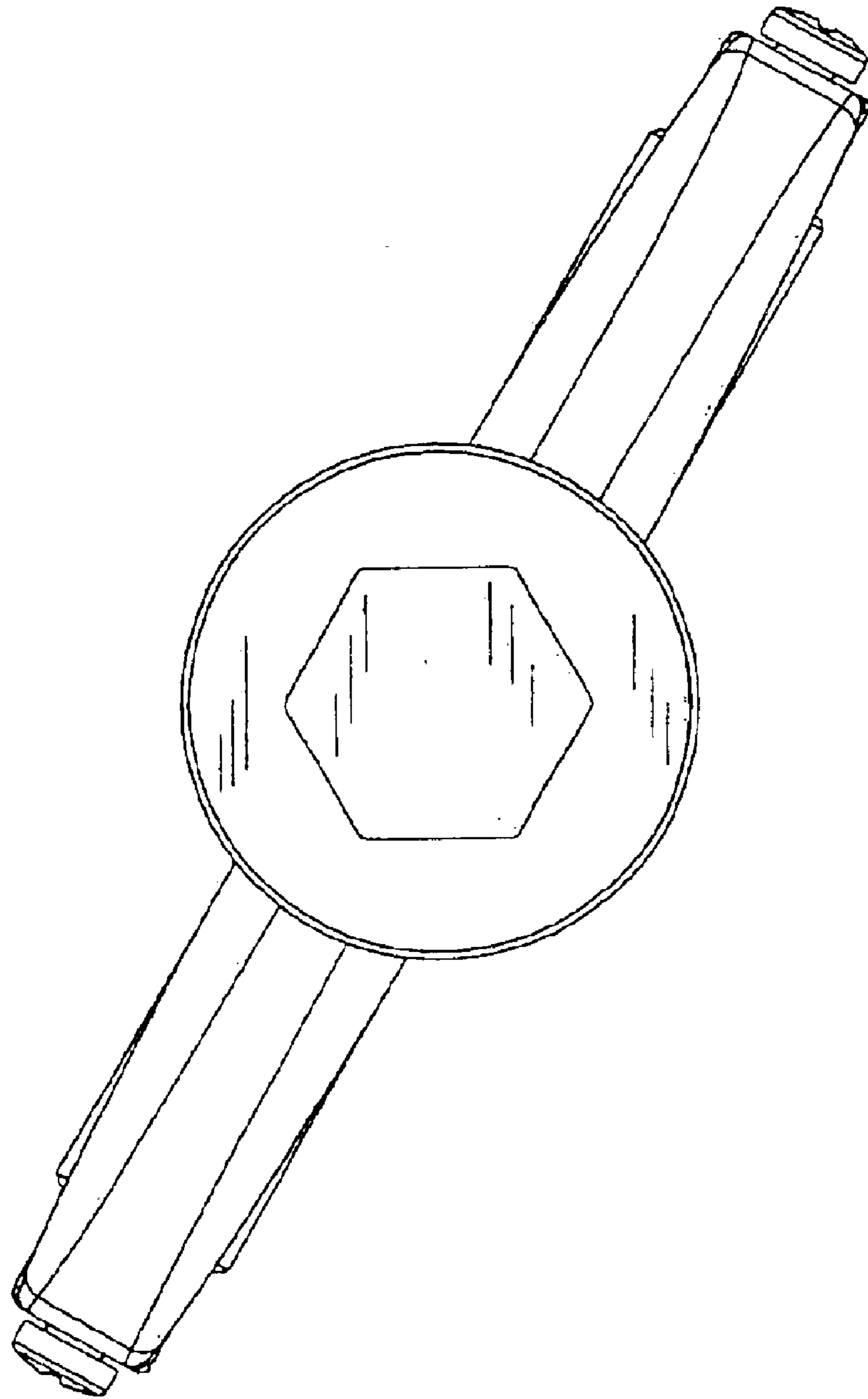


FIG. 6

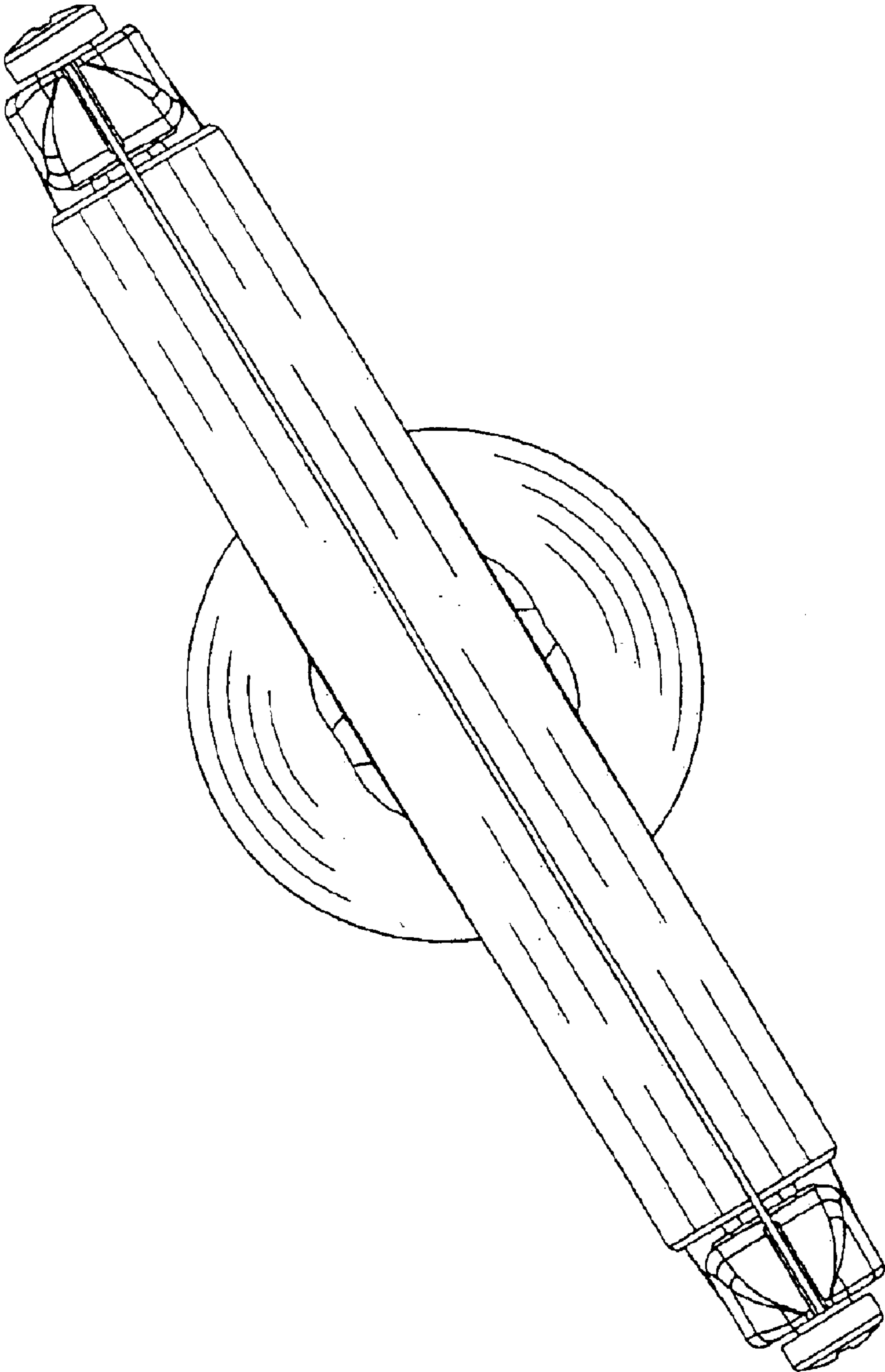


FIG. 7