

US00D502061S

(12) **United States Design Patent** (10) **Patent No.:** **US D502,061 S**  
**Dais et al.** (45) **Date of Patent:** **\*\* Feb. 22, 2005**

(54) **CONTAINER WITH SELECTIVELY VENTED LID**

4,917,261 A 4/1990 Borst  
4,917,262 A 4/1990 Mita  
4,923,085 A 5/1990 Lillelund et al.

(75) Inventors: **Brian C. Dais**, Saginaw, MI (US);  
**Stephen B. Leonard**, Franksville, WI (US);  
**Craig R. Gosen**, Sanford, MI (US)

(List continued on next page.)

**FOREIGN PATENT DOCUMENTS**

WO 03/067998 A1 8/2003

(73) Assignee: **S.C. Johnson Home Storage, Inc.**,  
Racine, WI (US)

**OTHER PUBLICATIONS**

(\*\*) Term: **14 Years**

Reginald L. Sanders, Sr.; "The Fresh Vegetable Keeper,"  
Invention Submission to S.C. Johnson & Son, Inc., Sep. 30,  
2003.

(21) Appl. No.: **29/191,893**

*Primary Examiner*—Terry A. Wallace

(22) Filed: **Oct. 15, 2003**

(57) **CLAIM**

(51) **LOC (7) Cl.** ..... **07-01**

The ornamental design for a container with selectively  
vented lid, as shown and described.

(52) **U.S. Cl.** ..... **D7/629**; D9/432

(58) **Field of Search** ..... D7/601, 602, 629,  
D7/630, 538–542; D9/414, 424, 425, 430–432;  
D3/201, 203, 205, 206, 273, 274; 220/281,  
662, 324, 675, 574, 574.1, 780–799

**DESCRIPTION**

(56) **References Cited**

**U.S. PATENT DOCUMENTS**

- 2,241,064 A 5/1941 Harbison
- 3,216,148 A 11/1965 Amberg
- 3,641,992 A 2/1972 Peyser et al.
- 3,717,478 A 2/1973 Lipfert
- 3,741,427 A 6/1973 Doyle
- 3,797,694 A 3/1974 See et al.
- 4,027,776 A 6/1977 Douglas
- 4,058,214 A 11/1977 Mancuso
- 4,144,968 A 3/1979 Shelton
- 4,478,349 A 10/1984 Haverland, Jr. et al.
- 4,512,497 A 4/1985 Grusin
- 4,537,325 A 8/1985 Zieff
- 4,576,309 A 3/1986 Tzifkansky et al.
- 4,590,078 A 5/1986 Umina
- 4,600,117 A 7/1986 Tzifkansky et al.
- 4,700,842 A 10/1987 Grusin
- 4,750,614 A 6/1988 Fischer et al.
- 4,765,506 A 8/1988 Fishman et al.
- 4,844,263 A 7/1989 Hadtke

FIG. 1 is a perspective view of the container with a selectively vented lid;

FIG. 2 is a plan view of the container with a selectively vented lid;

FIG. 3 is a bottom view of the container with a selectively vented lid;

FIG. 4 is a front view of the container with a selectively vented lid;

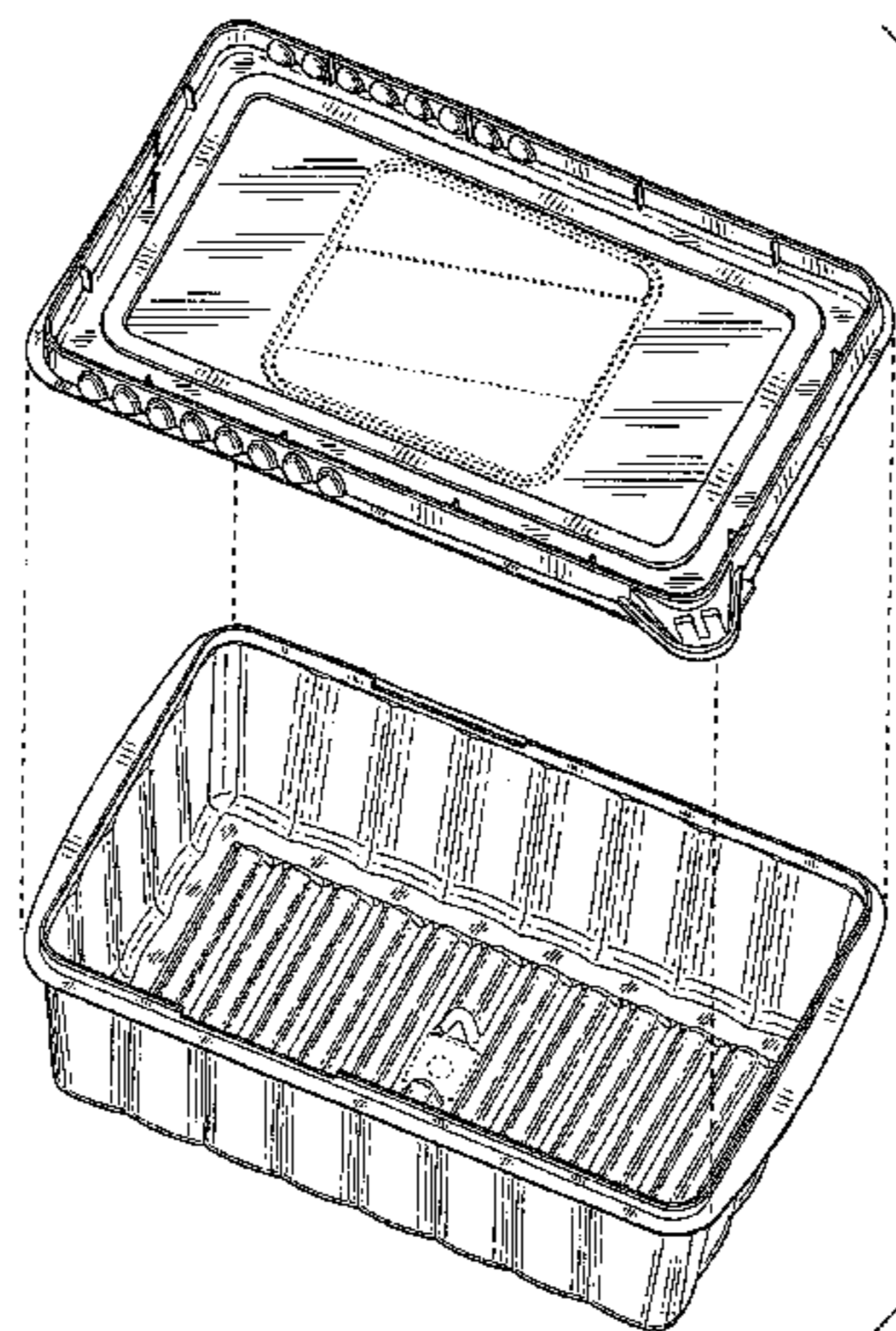
FIG. 5 is a right-side view of the container with a selectively vented lid; and,

FIG. 6 is an exploded, perspective view of the container with a selectively vented lid, showing the lid spaced from the container.

Rear and left-side views of the container have been omitted, as these views are merely duplicative of the other views and are not necessary for a complete understanding of the design.

The portions of the drawing figures shown in broken lines form no part of the claim. Moreover, no claim is made to the color, clarity, or surface finish of the container.

**1 Claim, 6 Drawing Sheets**

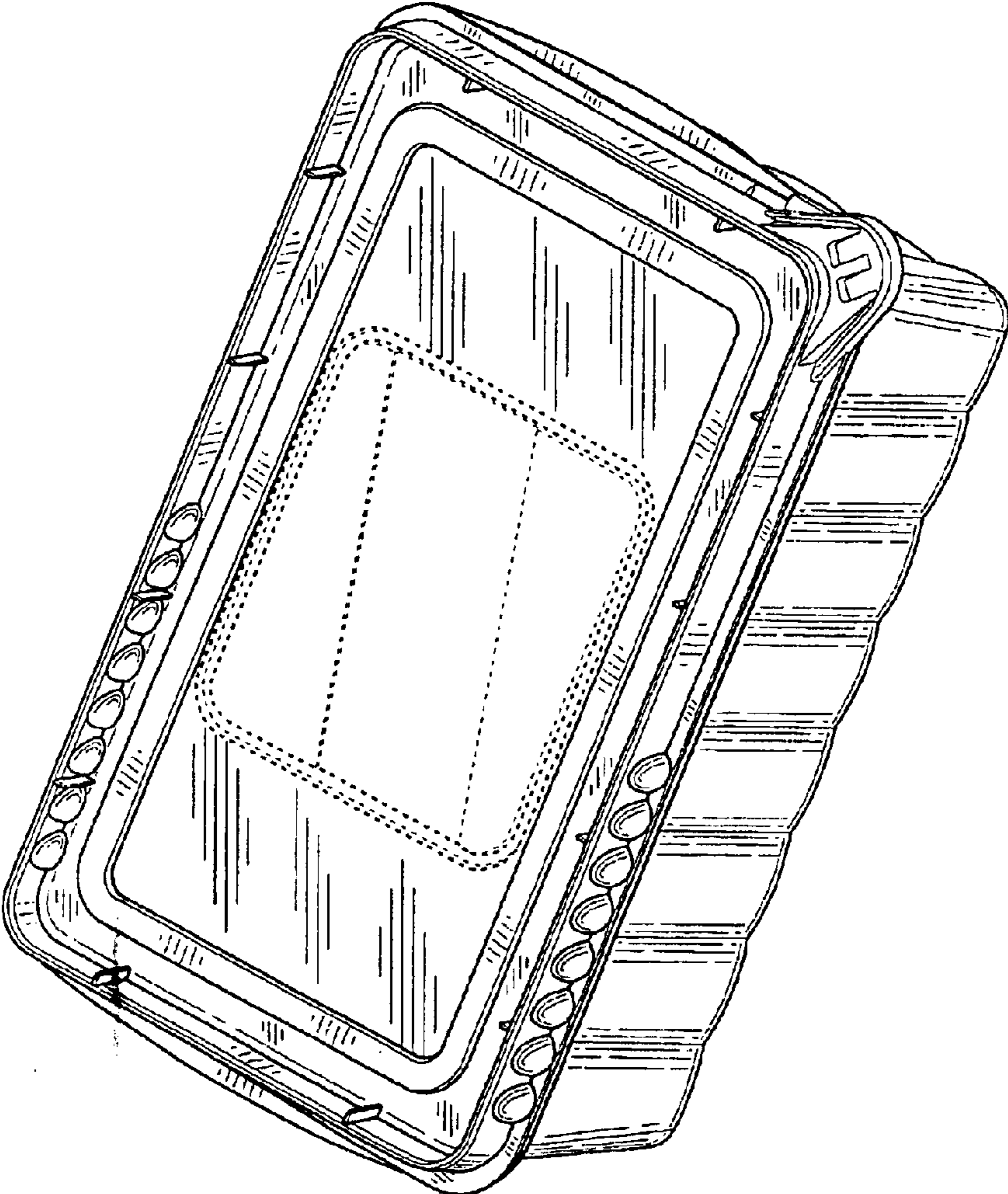


# US D502,061 S

Page 2

U.S. PATENT DOCUMENTS					
4,974,742 A	12/1990	Farrell et al.	5,931,333 A	8/1999	Woodnorth et al.
4,986,438 A	1/1991	Borst	5,972,292 A	10/1999	DeMeo
D316,513 S	4/1991	Wolff	6,032,827 A	3/2000	Zettle et al.
D318,015 S	7/1991	DeCoster et al.	D424,298 S	5/2000	Laib
D318,234 S	7/1991	Lillelund et al.	6,105,810 A	8/2000	Daenen et al.
5,065,889 A	11/1991	Conti	6,164,484 A	12/2000	Fiore et al.
5,181,626 A	1/1993	Daenen et al.	6,170,696 B1	1/2001	Tucker et al.
D334,710 S	4/1993	Picozza	D437,685 S	2/2001	Liu
5,266,763 A	11/1993	Colombo	D440,114 S	4/2001	Lillelund et al.
5,293,997 A	3/1994	Hustad et al.	6,213,302 B1	4/2001	Sanders et al.
D348,805 S	7/1994	Cautereels	6,216,905 B1	4/2001	Mogard et al.
5,348,181 A	9/1994	Smith et al.	6,217,136 B1	4/2001	Dorfman et al.
5,356,026 A	10/1994	Andress et al.	6,230,924 B1	5/2001	Weiss et al.
5,377,860 A	1/1995	Littlejohn et al.	D444,034 S	6/2001	Miller et al.
5,388,714 A	2/1995	Zutler	D444,670 S	7/2001	Demers
5,390,797 A	2/1995	Smalley et al.	D444,679 S	7/2001	Lillelund et al.
5,405,561 A	4/1995	Dais et al.	6,257,434 B1	7/2001	Lizzio
D365,251 S	* 12/1995	Lo ..... D7/629	6,260,729 B1	7/2001	Mitchell et al.
5,489,036 A	2/1996	Arkins	6,260,731 B1	7/2001	Cummings
5,492,705 A	2/1996	Porchia et al.	6,273,258 B1	8/2001	Piacenza
5,520,302 A	5/1996	Anderson et al.	6,276,555 B1	8/2001	Edwards
D372,174 S	* 7/1996	Arduini ..... D7/629	6,279,788 B1	8/2001	Lillelund et al.
5,542,234 A	8/1996	Wyslotsky et al.	6,283,298 B1	9/2001	Seidler
5,554,093 A	9/1996	Porchia et al.	6,305,546 B1	10/2001	Saunders et al.
5,554,250 A	9/1996	Dais et al.	6,325,234 B1	12/2001	Legaspi
D375,653 S	11/1996	Ferris	6,343,709 B1	2/2002	DeForrest et al.
5,618,111 A	4/1997	Porchia et al.	6,349,820 B1	2/2002	Kelley et al.
5,686,127 A	11/1997	Stockley, III et al.	6,364,112 B1	4/2002	Pitschka
5,758,793 A	6/1998	Forsyth et al.	6,364,152 B1	4/2002	Poslinski et al.
5,806,710 A	9/1998	Shiffer et al.	6,527,121 B1	3/2003	Flynn
5,894,953 A	4/1999	Ramirez	6,622,862 B1 *	9/2003	Corrado ..... 220/324

\* cited by examiner



**FIG. 1**



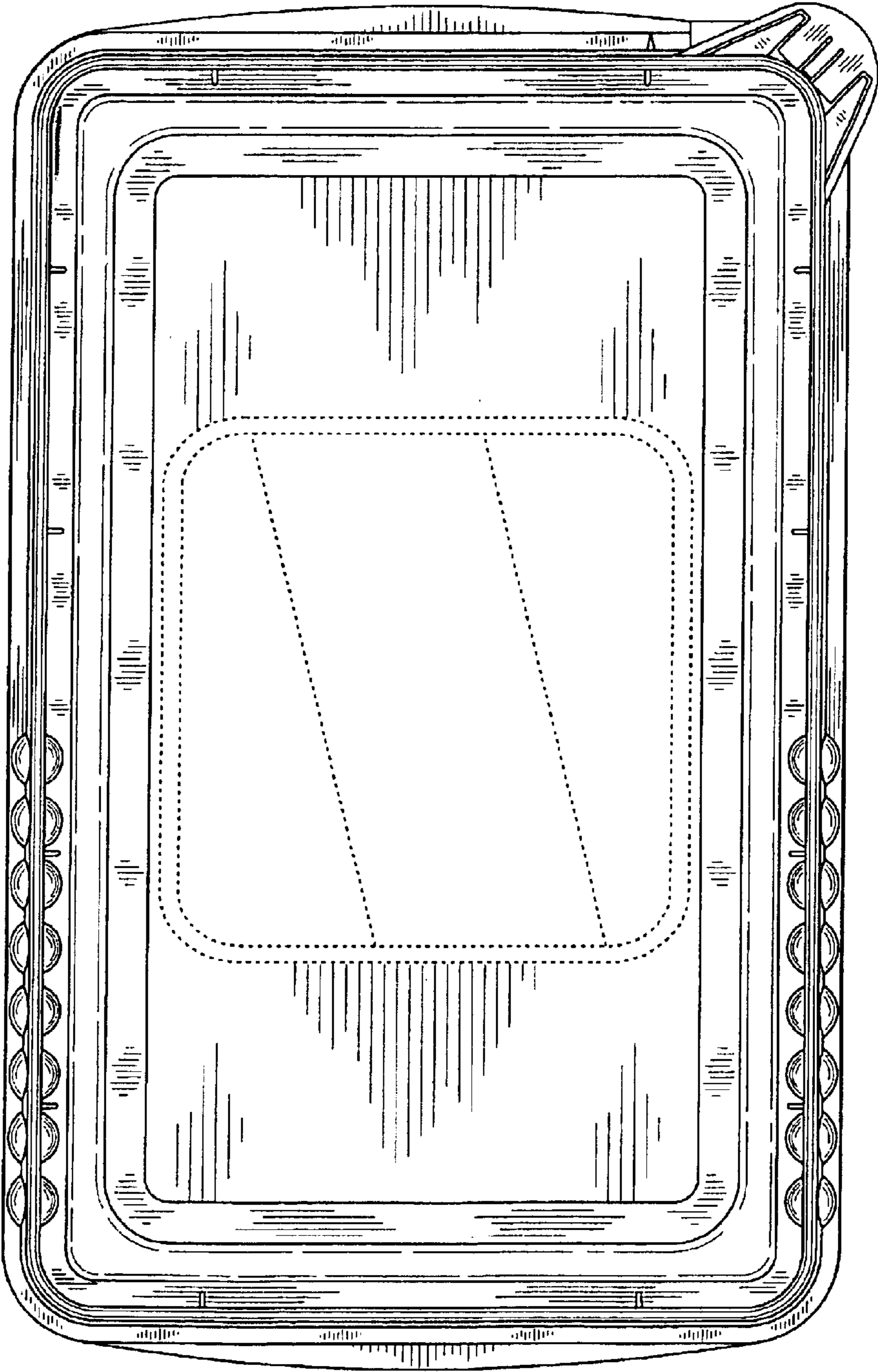
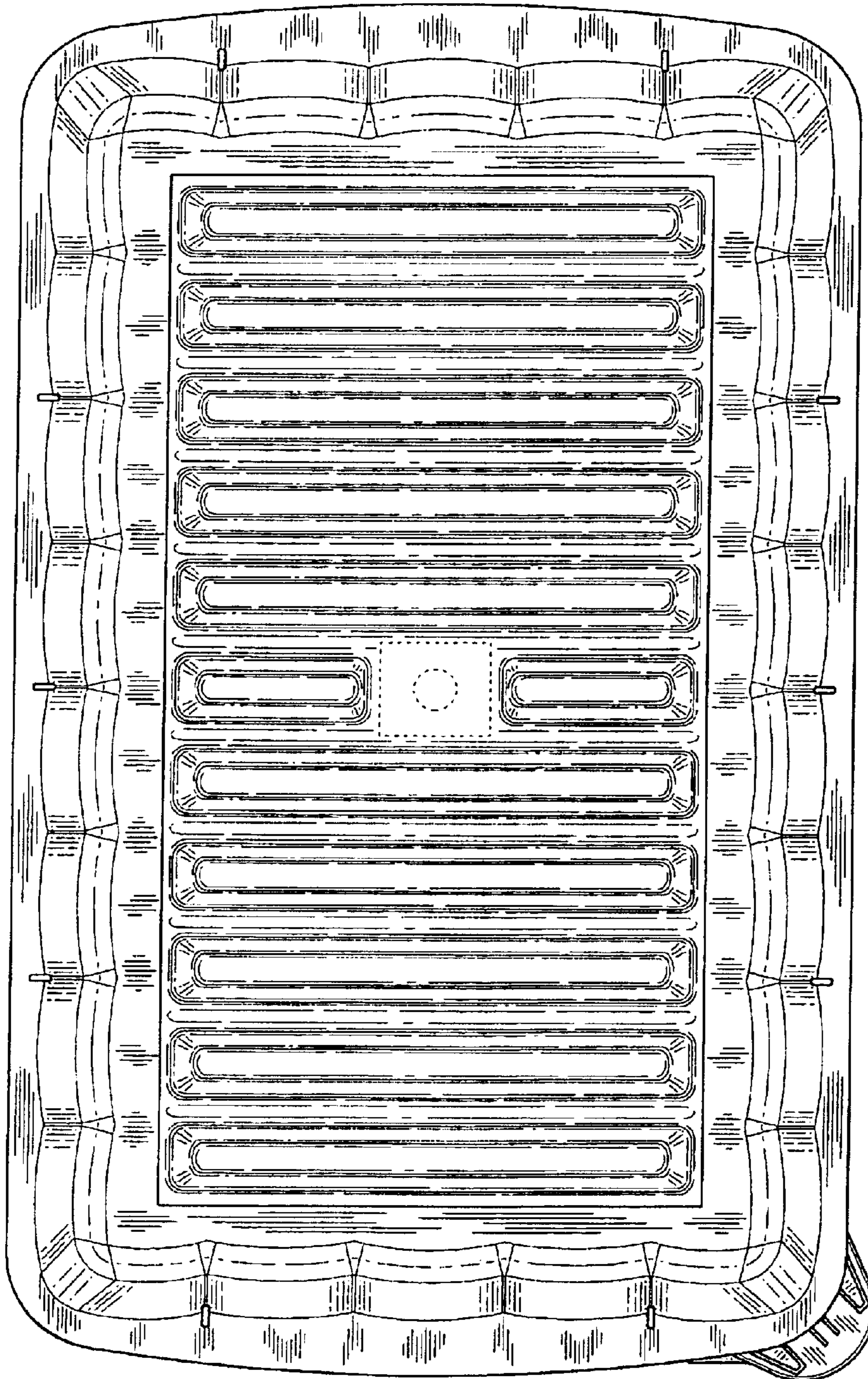
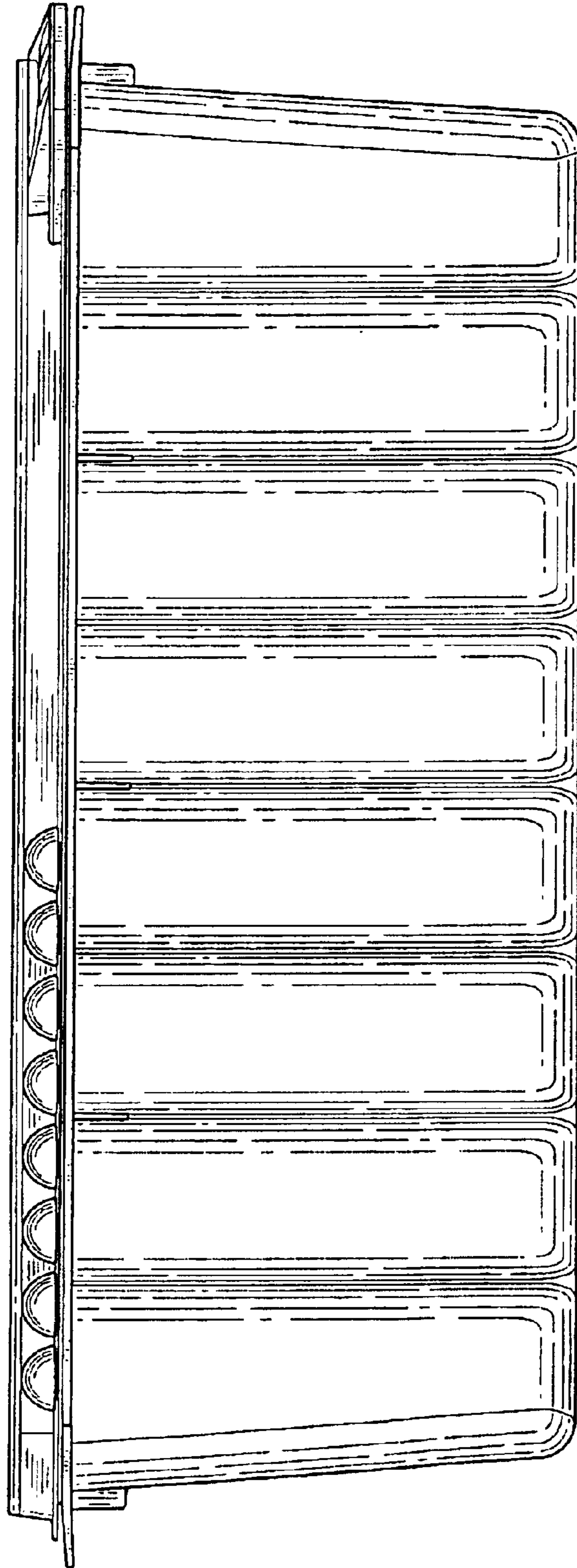


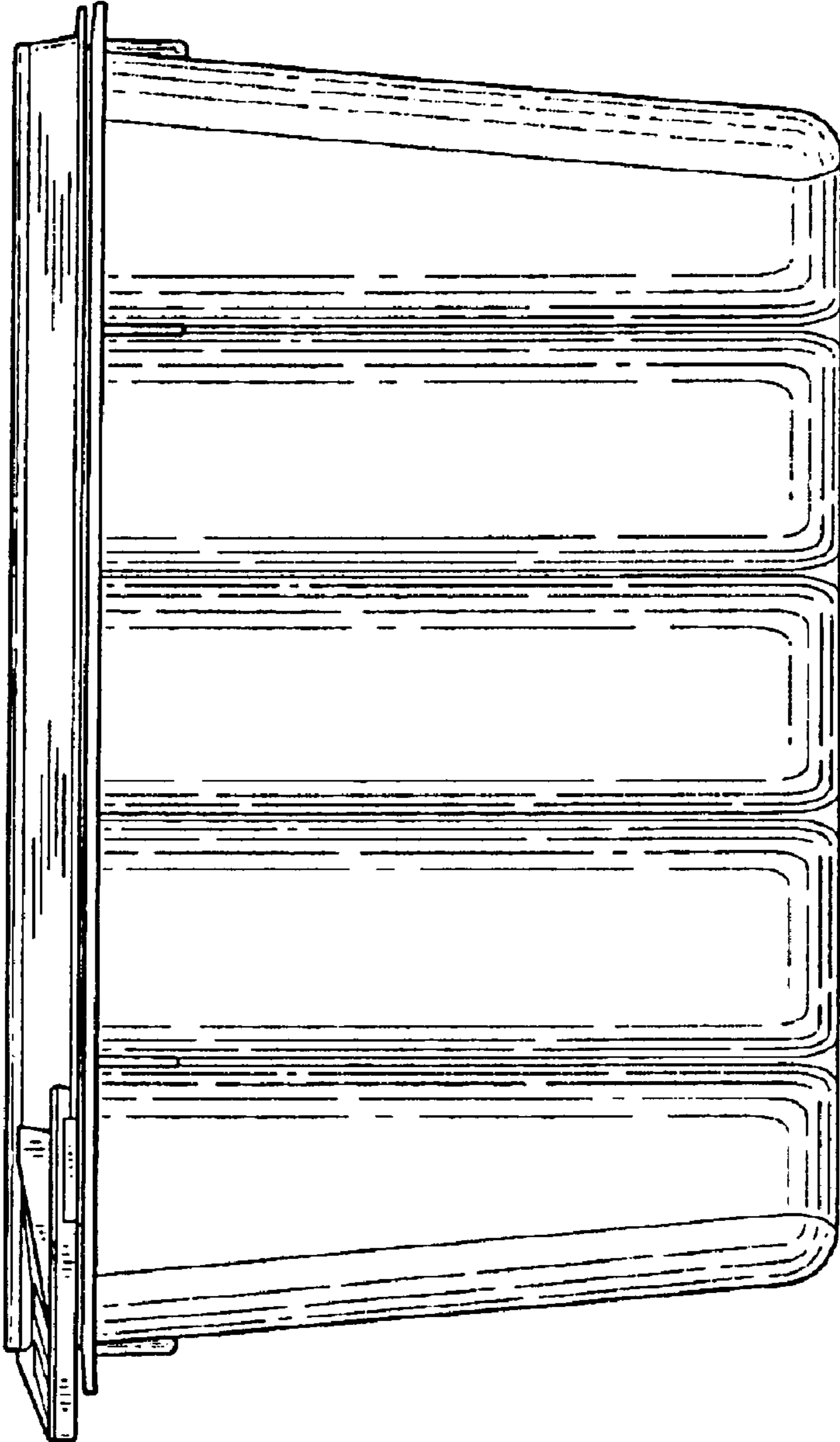
FIG. 2



**FIG. 3**

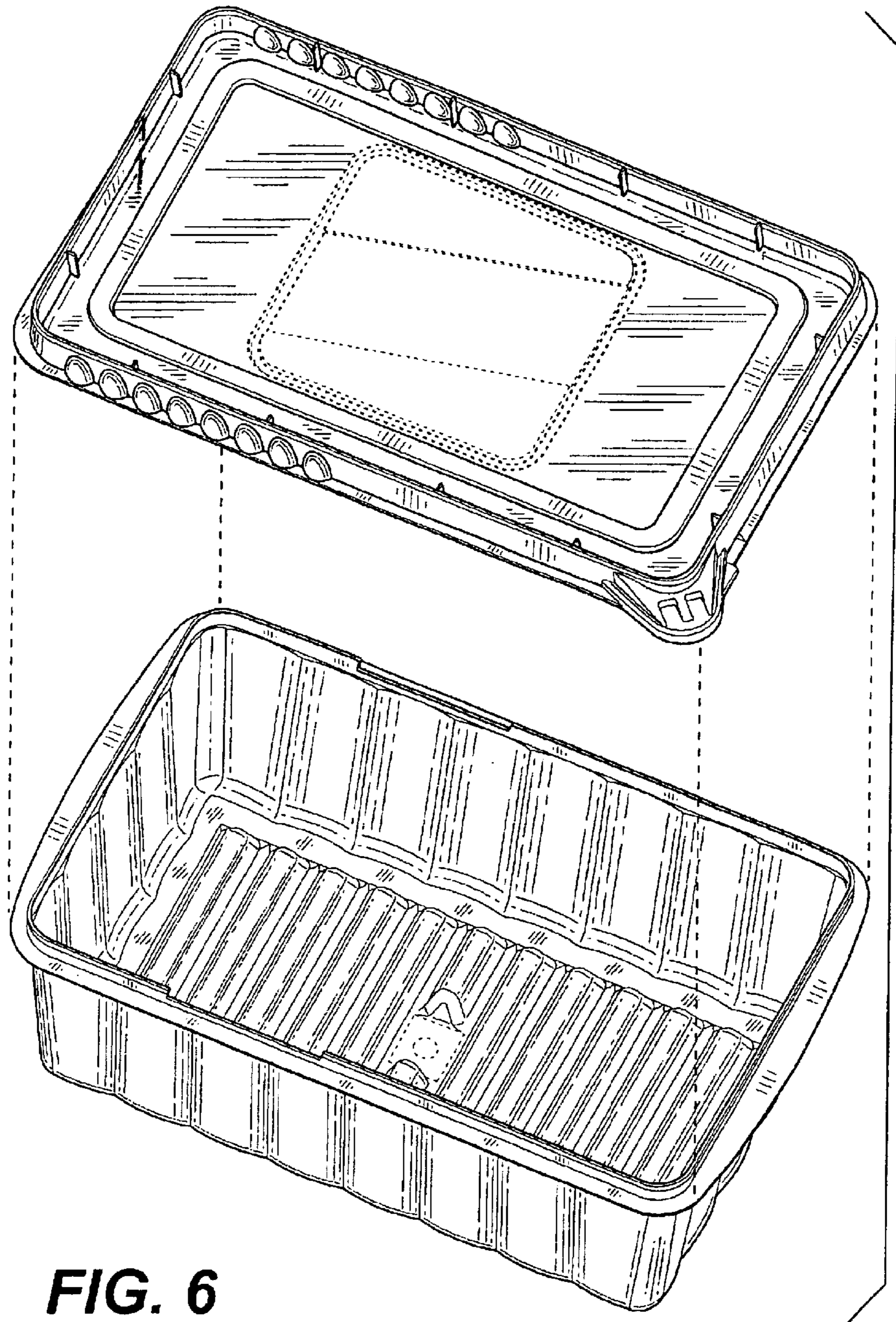


**FIG. 4**



**FIG. 5**





**FIG. 6**