

US00D502059S

(12) **United States Design Patent**  
**Bukowski et al.**

(10) **Patent No.:** **US D502,059 S**  
(45) **Date of Patent:** **\*\* Feb. 22, 2005**

(54) **SOLAR-POWERED REFRIGERATED COOLER**

D320,606 S 10/1991 Fritsch  
D352,420 S 11/1994 Costello  
D368,206 S \* 3/1996 Wedi ..... D7/605  
D371,056 S 6/1996 Sullivan  
6,305,185 B1 10/2001 Sloan

(76) Inventors: **Mark J. Bukowski**, 2731 8th Ave. SE.,  
Naples, FL (US) 34117; **Deborah E. Bukowski**, 2731 8th Ave. SE., Naples,  
FL (US) 34117

\* cited by examiner

(\*\*) Term: **14 Years**

*Primary Examiner*—Terry A. Wallace  
(74) *Attorney, Agent, or Firm*—Donald R. Schoonover

(21) Appl. No.: **29/198,098**

(57) **CLAIM**

(22) Filed: **Jan. 26, 2004**

We claim the ornamental design for a solar-powered refrigerated cooler, as shown and described.

(51) **LOC (7) Cl.** ..... **07-01**

(52) **U.S. Cl.** ..... **D7/605**

(58) **Field of Search** ..... D7/605–608, 629;  
D15/83; 220/592.2, 592.03, 592.24, 592.25,  
915.1, 915.2; 62/371, 372, 457.1–457.9,  
235.1, 3.62

**DESCRIPTION**

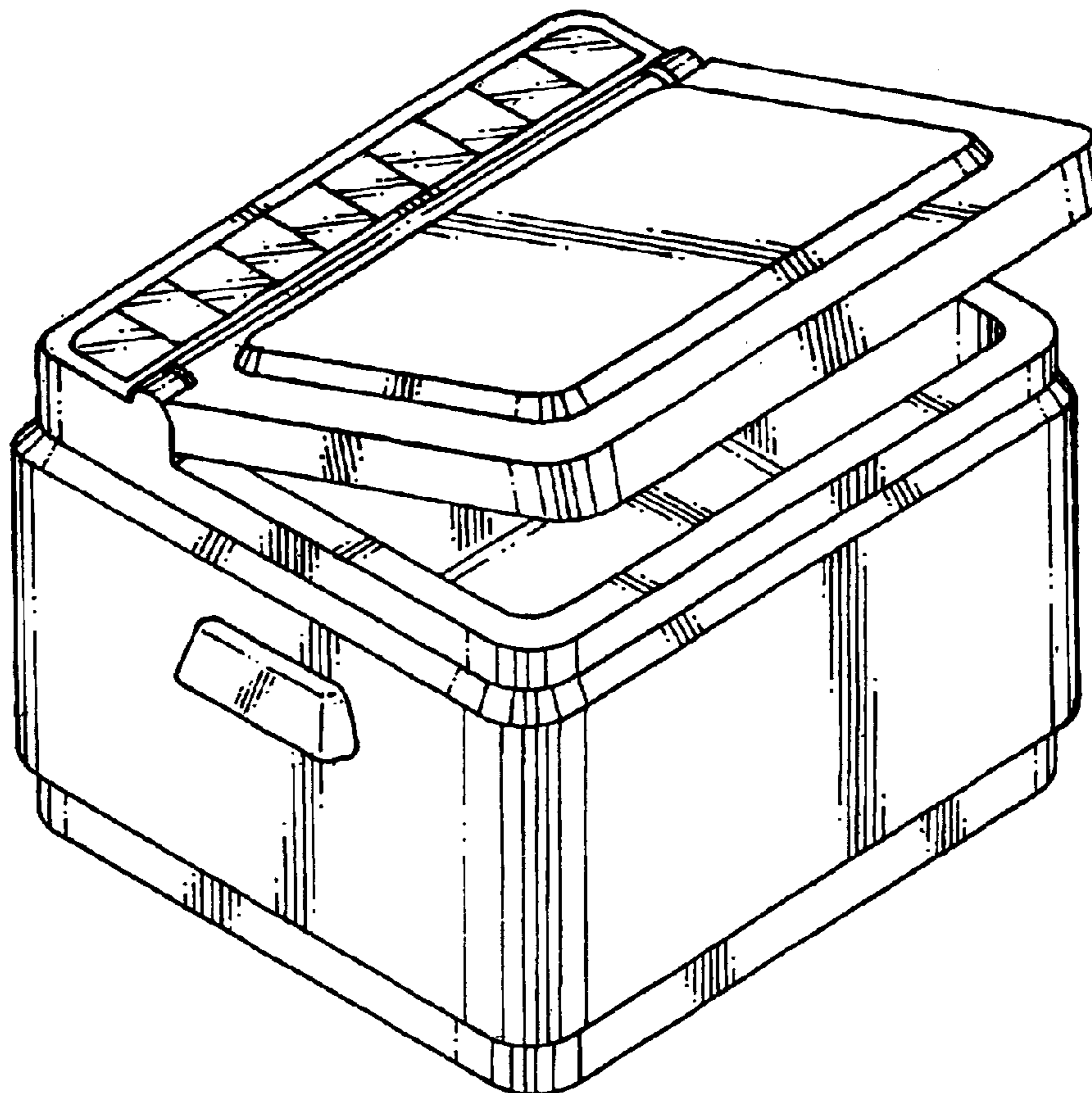
FIG. 1 is a perspective view of a solar-powered refrigerated cooler showing our new design;  
FIG. 2 is a front elevational view thereof;  
FIG. 3 is a rear elevational view thereof;  
FIG. 4 is a right side elevational view thereof, the left side elevational view being a mirror image thereof;  
FIG. 5 is a top plan view thereof; and,  
FIG. 6 is a bottom plan view thereof.

(56) **References Cited**

**U.S. PATENT DOCUMENTS**

4,658,599 A 4/1987 Kajiwara  
4,981,019 A 1/1991 Hicks et al.

**1 Claim, 4 Drawing Sheets**



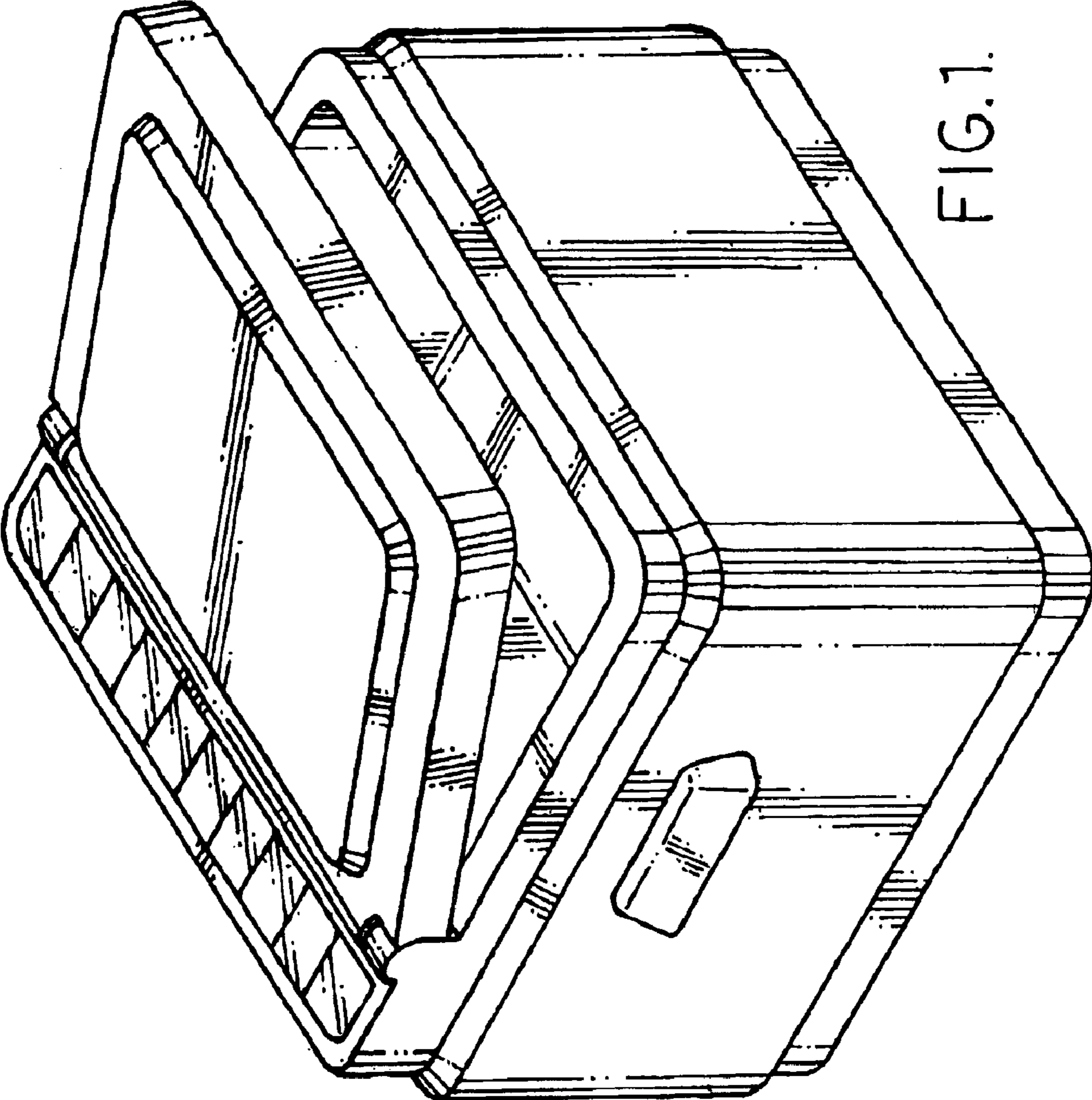


FIG. 1.

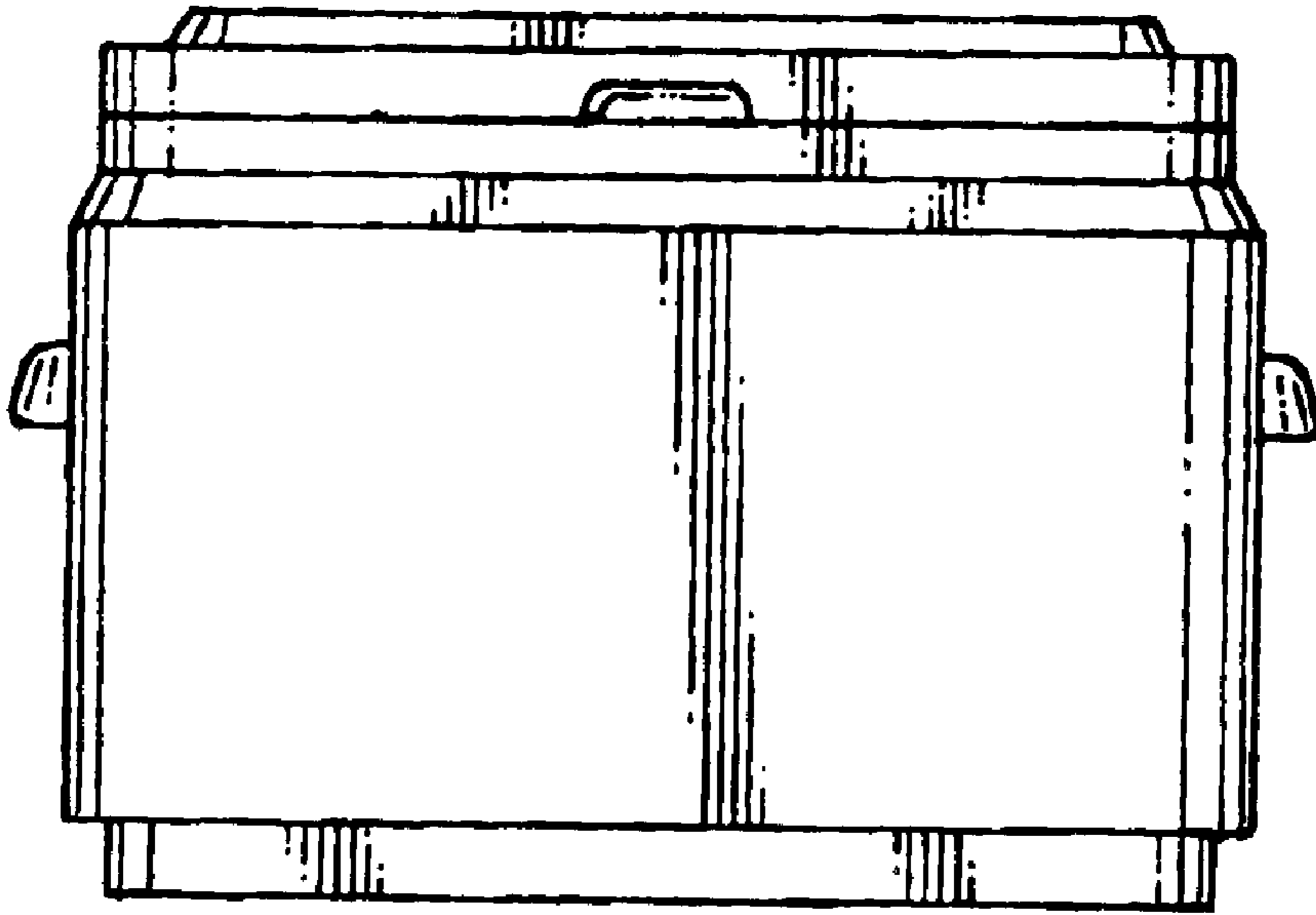


FIG. 2.

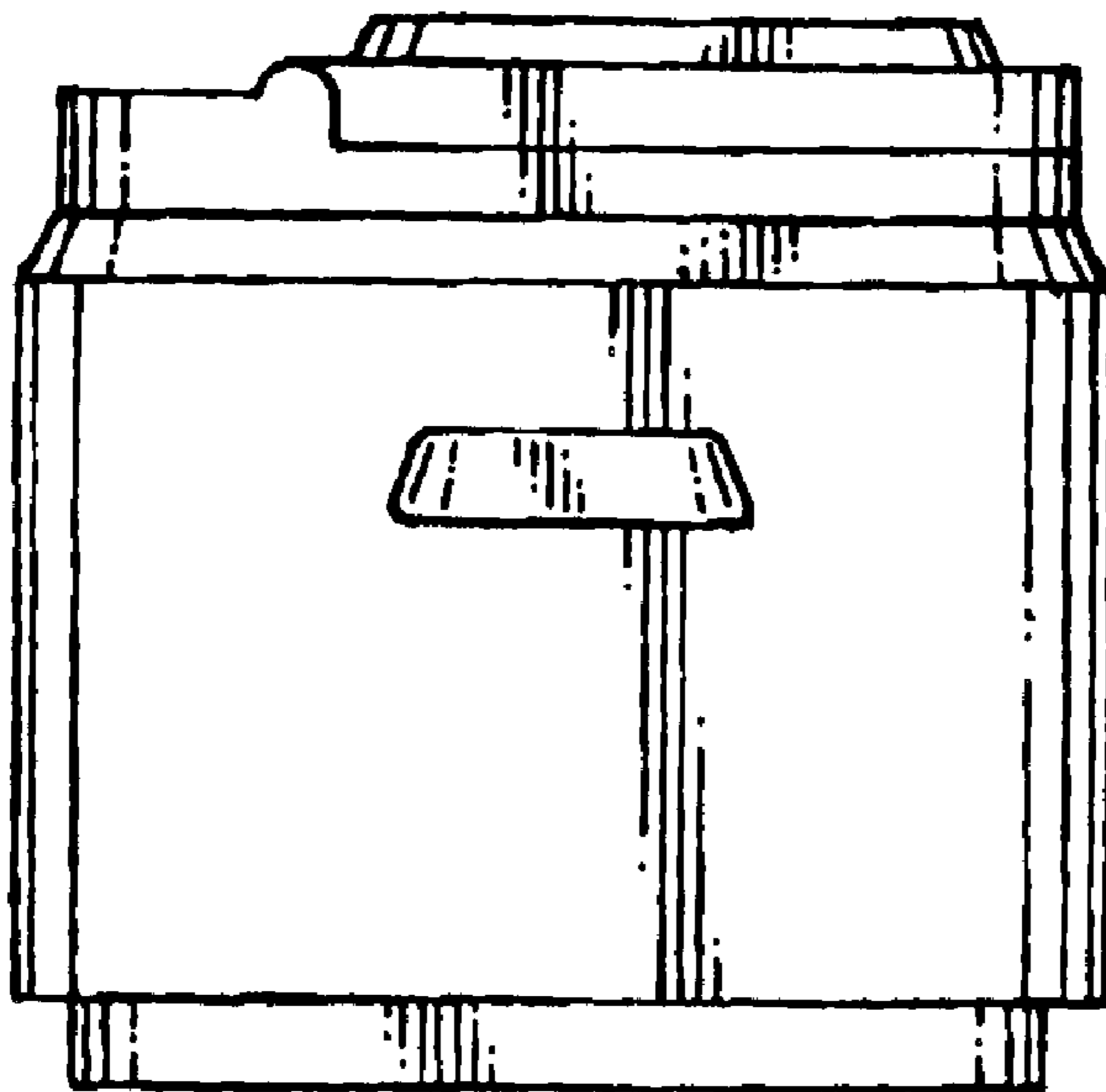


FIG. 4.

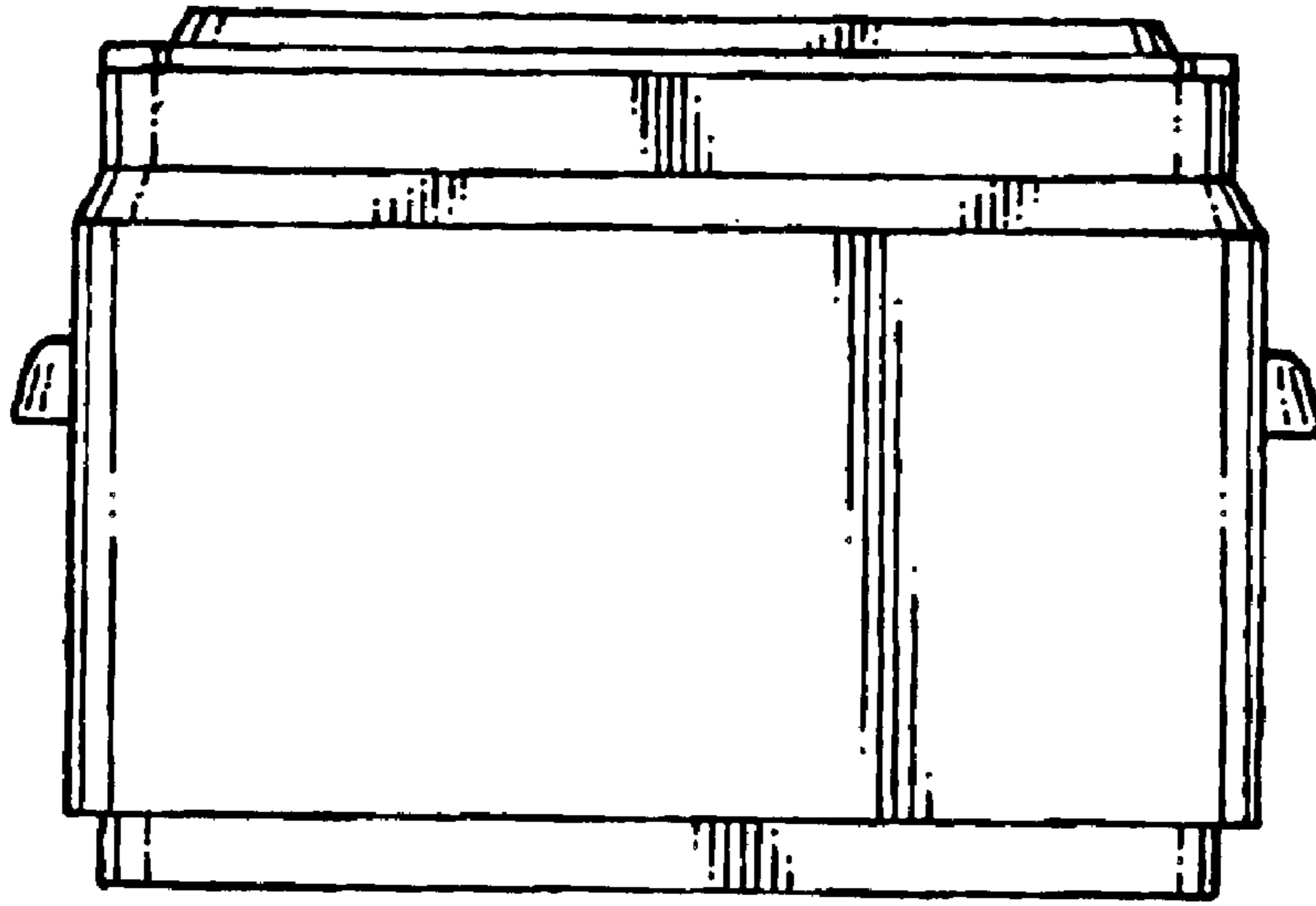


FIG. 3.

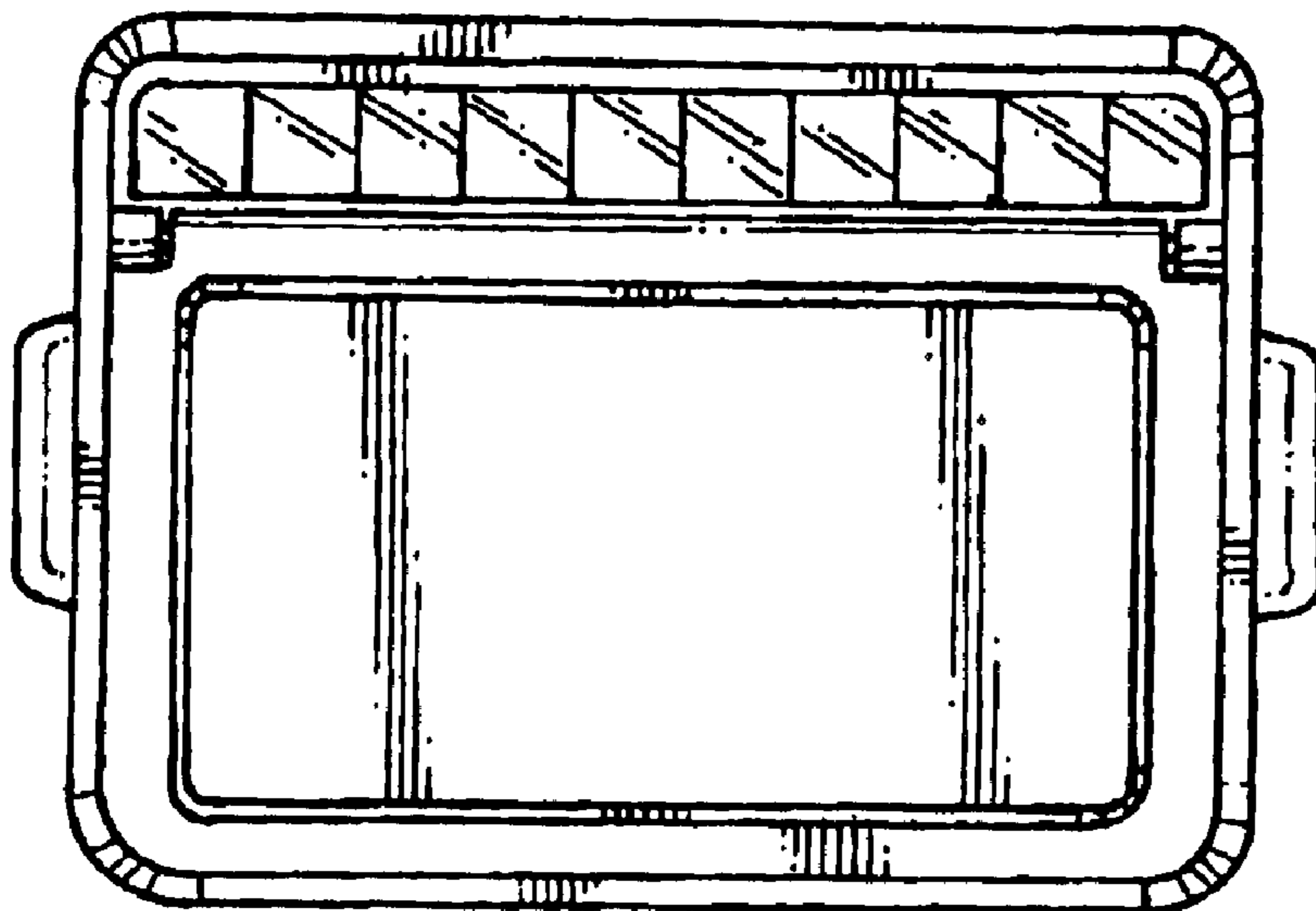


FIG. 5.

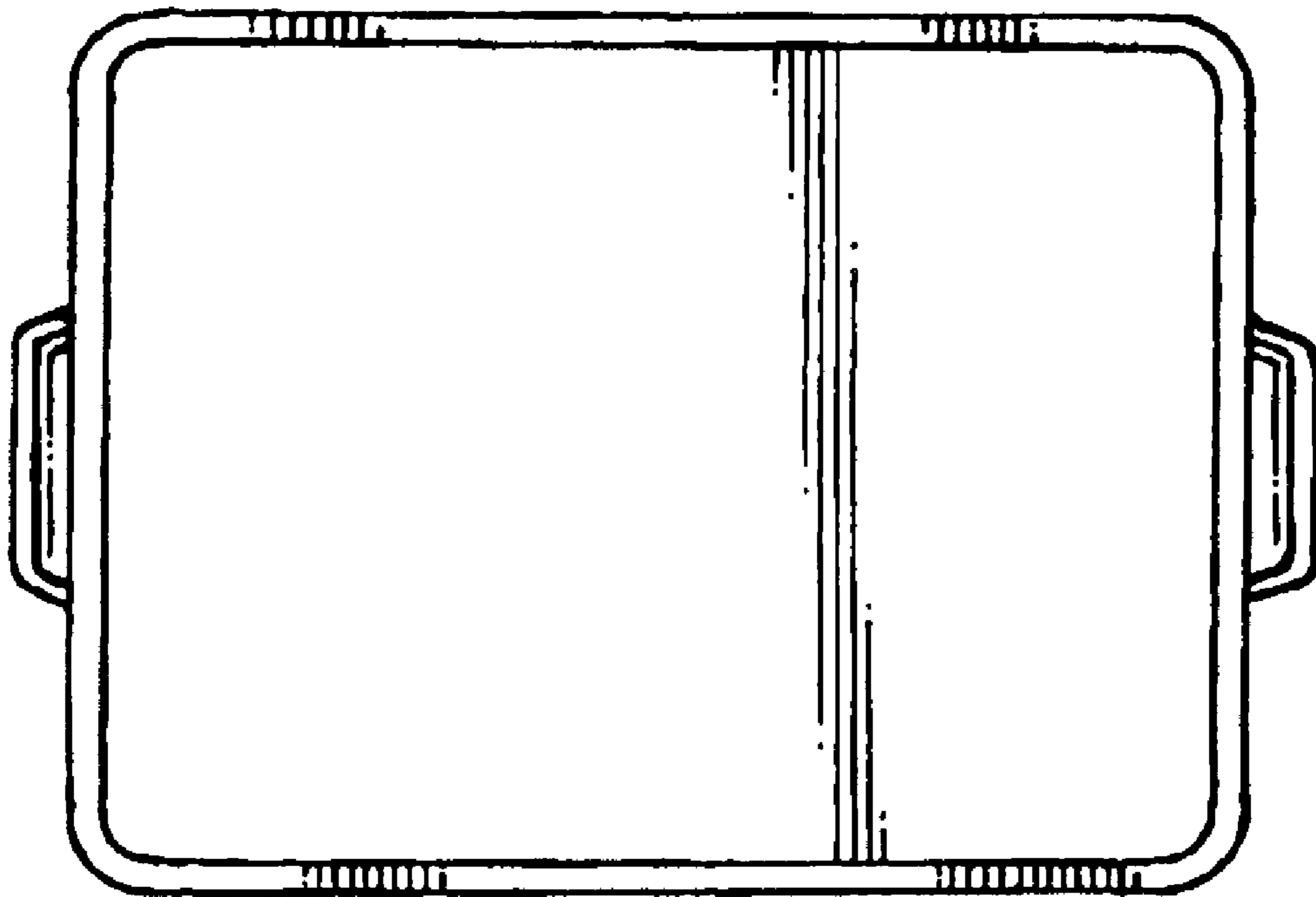


FIG. 6.