

US00D502056S

(12) **United States Design Patent**
Bakti

(10) **Patent No.:** **US D502,056 S**

(45) **Date of Patent:** **** Feb. 22, 2005**

(54) **DRINKING VESSEL MEGAPHONE**

(76) **Inventor:** **Tyrone T. Bakti**, 683 Maclaren Dr.,
Burlington Ontario (CA), L7N 2Z5

(**) **Term:** **14 Years**

(21) **Appl. No.:** **29/207,206**

(22) **Filed:** **Jun. 10, 2004**

(51) **LOC (7) Cl.** **07-01**

(52) **U.S. Cl.** **D7/507; D7/533; D7/515**

(58) **Field of Search** **D7/507, 509, 510,**
D7/511, 533, 536, 514, 51; 220/705, 703,
DIG. 1, 710.5, 713, 630, 709; 215/13.1,
382, 230

(56) **References Cited**

U.S. PATENT DOCUMENTS

D225,885 S	*	1/1973	Doman et al.	D7/536
D226,446 S	*	3/1973	Wilton	D7/507
D230,239 S	*	2/1974	Dodge	D7/536
D232,010 S	*	7/1974	Steinmann	D7/533
D275,438 S	*	9/1984	Everson	D7/507
D283,772 S	*	5/1986	Vail	D7/536
4,618,066 A	*	10/1986	Vail	215/13.1
D287,322 S	*	12/1986	Martin	D7/536
D290,568 S	*	6/1987	Feltman et al.	D7/536
D333,067 S	*	2/1993	Feltman, III	D7/536
D333,409 S	*	2/1993	Dietzmann	D7/507
D365,965 S	*	1/1996	Yeh	D7/536

D366,597 S	*	1/1996	Smith et al.	D7/536
5,501,363 A	*	3/1996	Muller et al.	220/630
D370,831 S	*	6/1996	Steinfels, III et al.	D7/536
D438,429 S	*	3/2001	Otake	D7/510
D459,949 S	*	7/2002	Brennan	D7/536

* cited by examiner

Primary Examiner—M. N. Pandozzi

(74) *Attorney, Agent, or Firm*—Patrick J. Hofbauer

(57) **CLAIM**

The ornamental design for a drinking vessel megaphone, as shown and described.

DESCRIPTION

FIG. 1 is a perspective view of a drinking vessel megaphone; FIG. 2 is a side elevational view of the megaphone shown in FIG. 1;

FIG. 3 is a rear elevational view of the megaphone shown in FIG. 1;

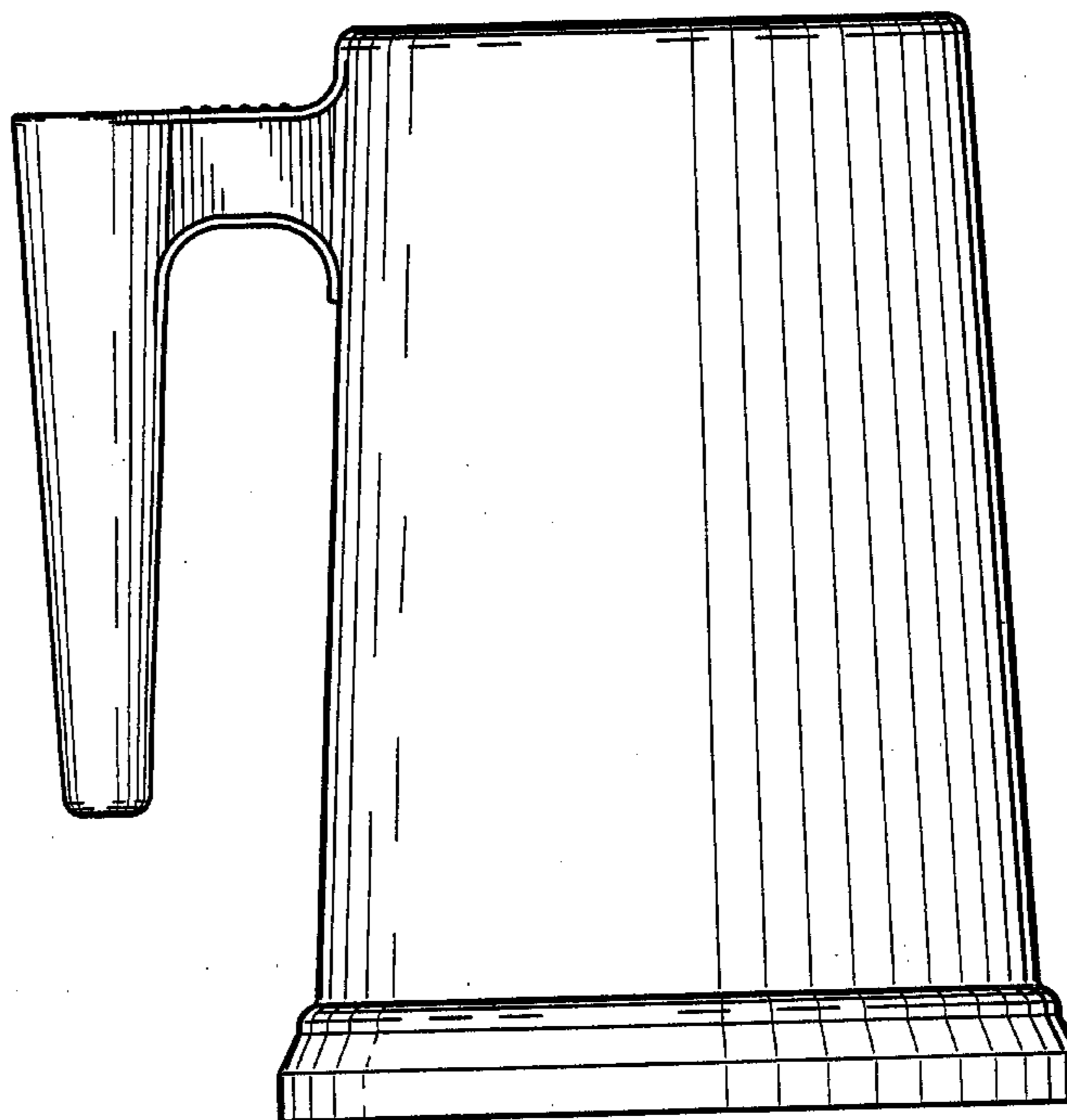
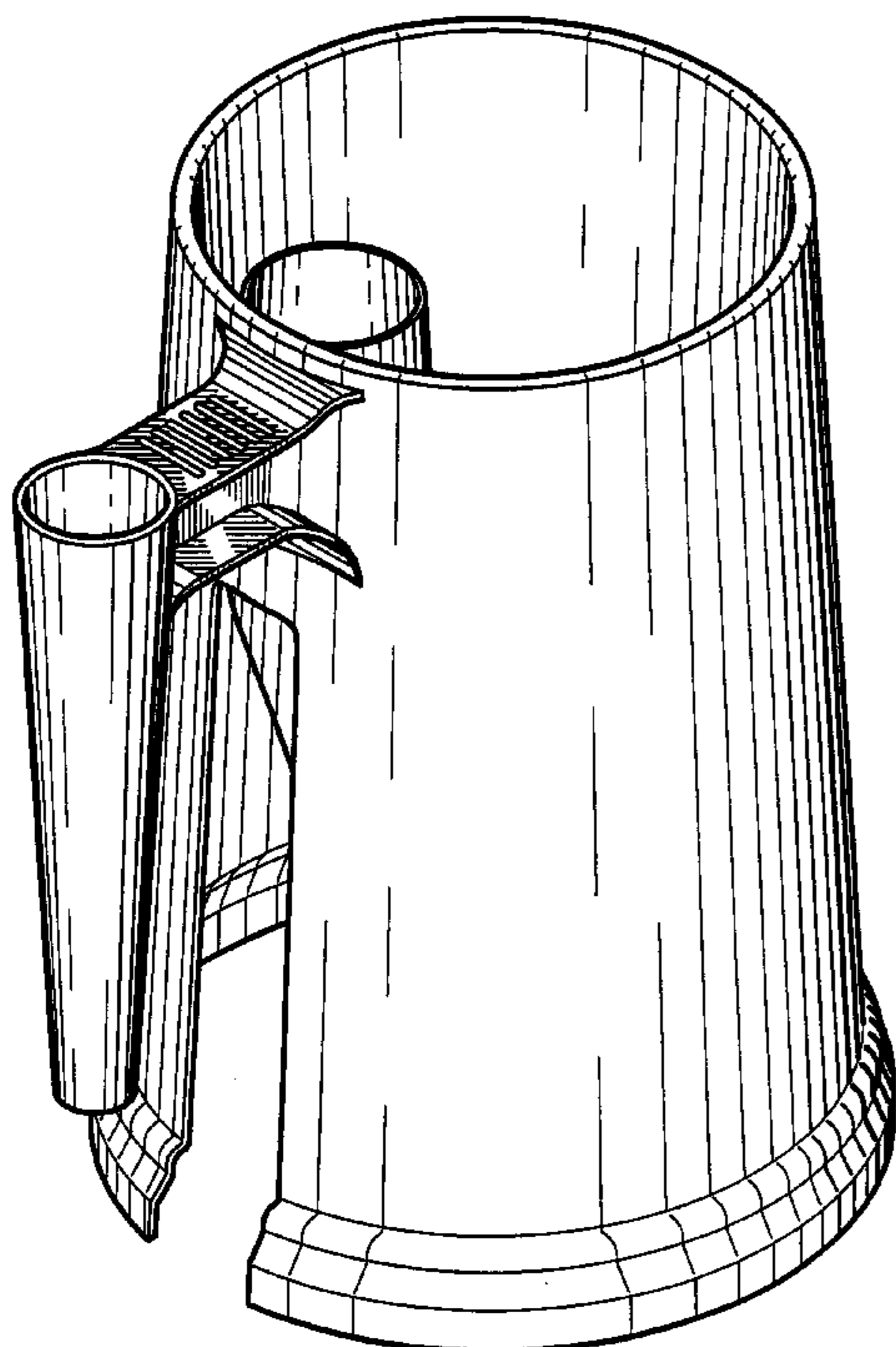
FIG. 4 is a top plan view of the megaphone shown in FIG. 1;

FIG. 5 is a bottom plan view of the megaphone shown in FIG. 1; and,

FIG. 6 is a side elevational view thereof shown in a stacked position.

The broken lines in FIG. 6 are for illustrative purposes only and form no part of the claimed design.

1 Claim, 6 Drawing Sheets



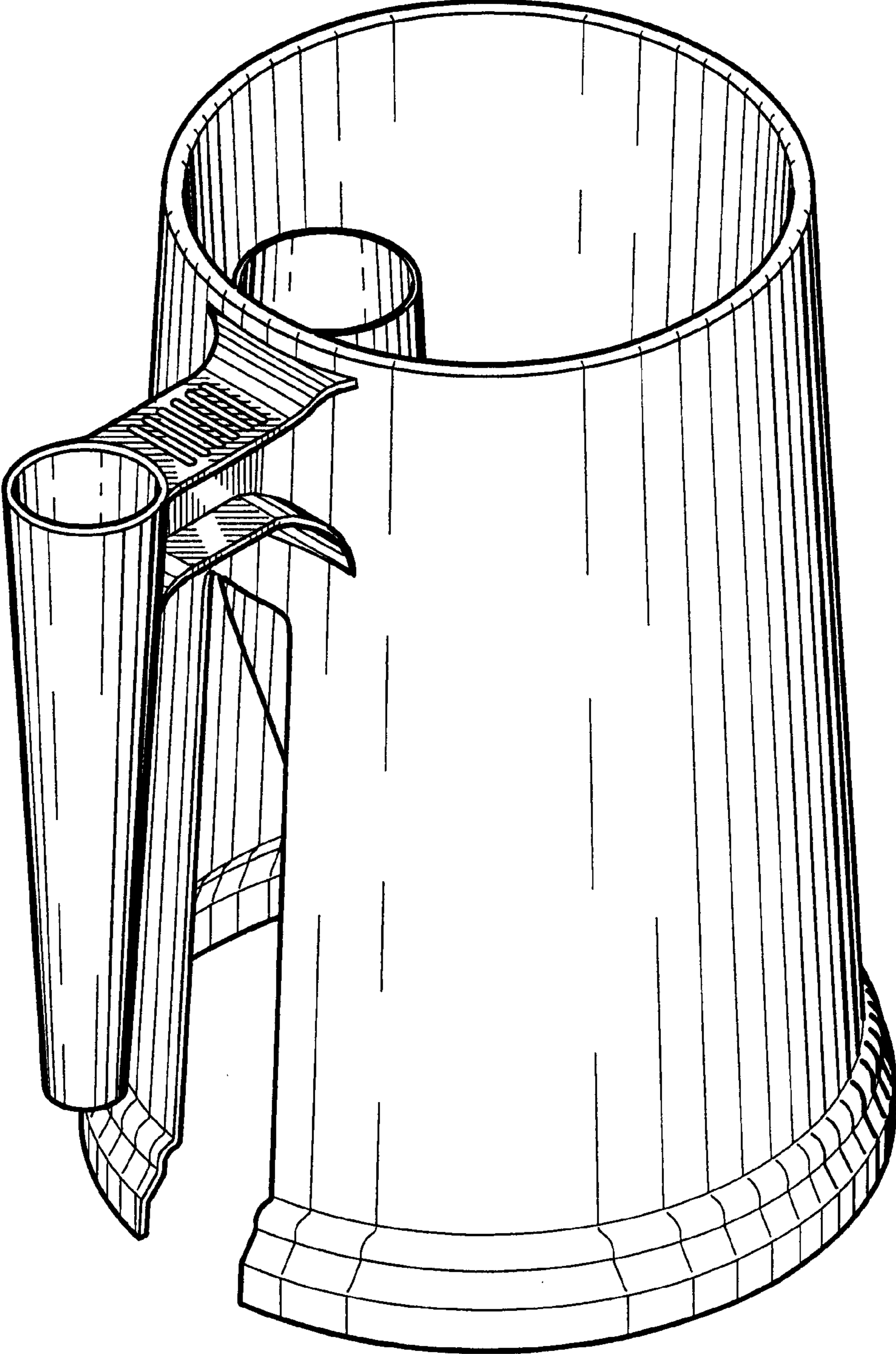


FIGURE 1

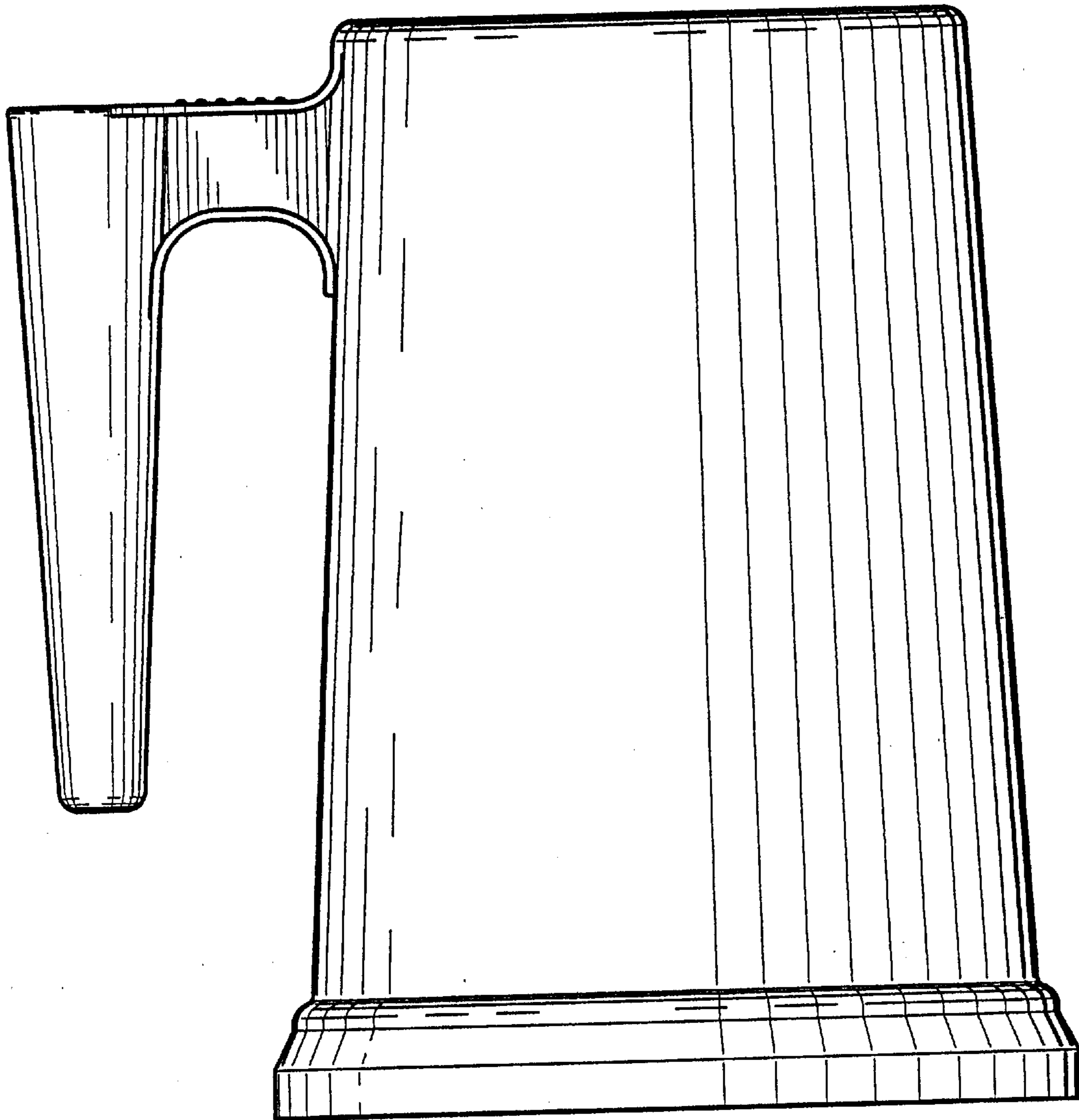


FIGURE 2

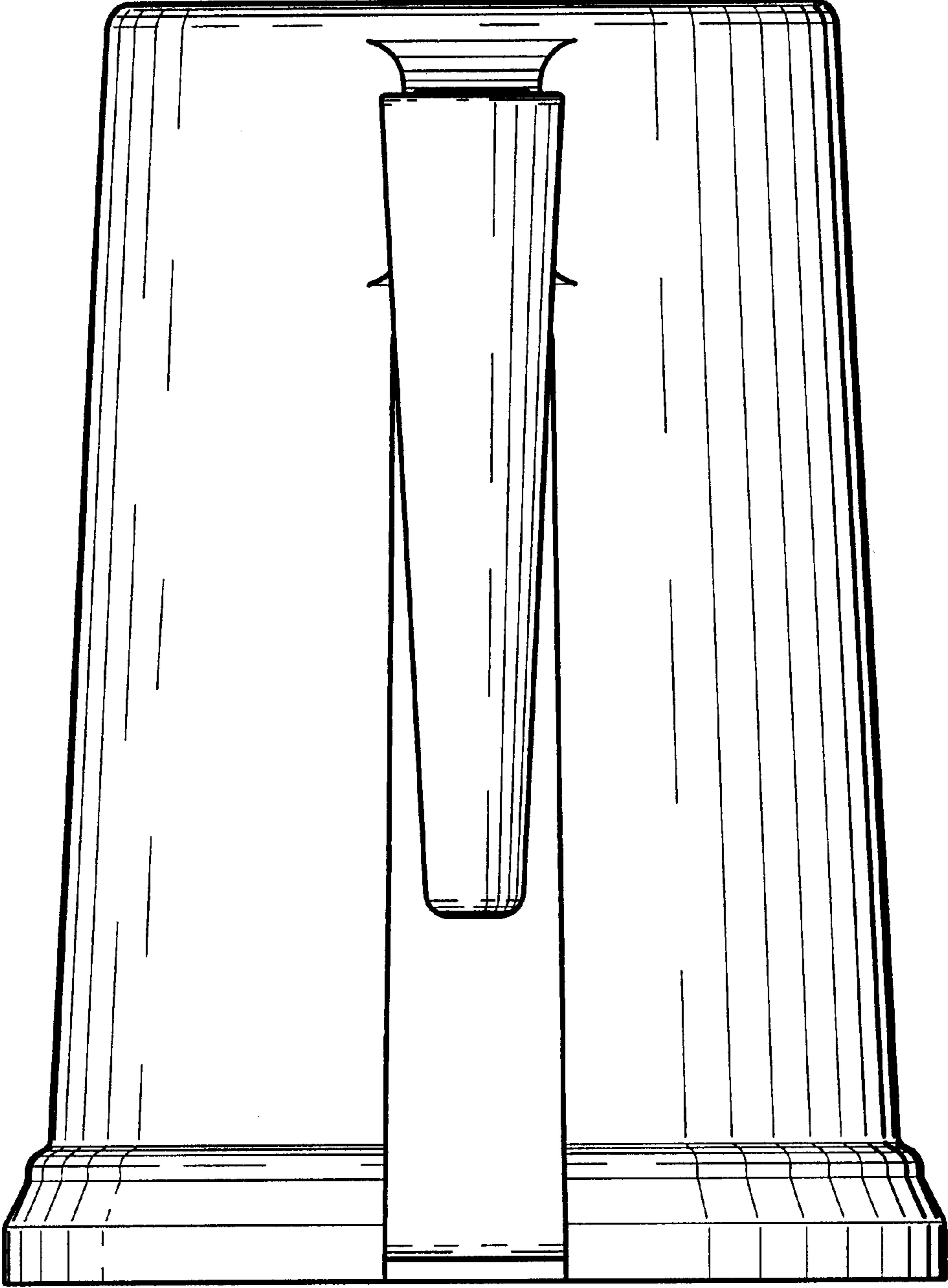


FIGURE 3

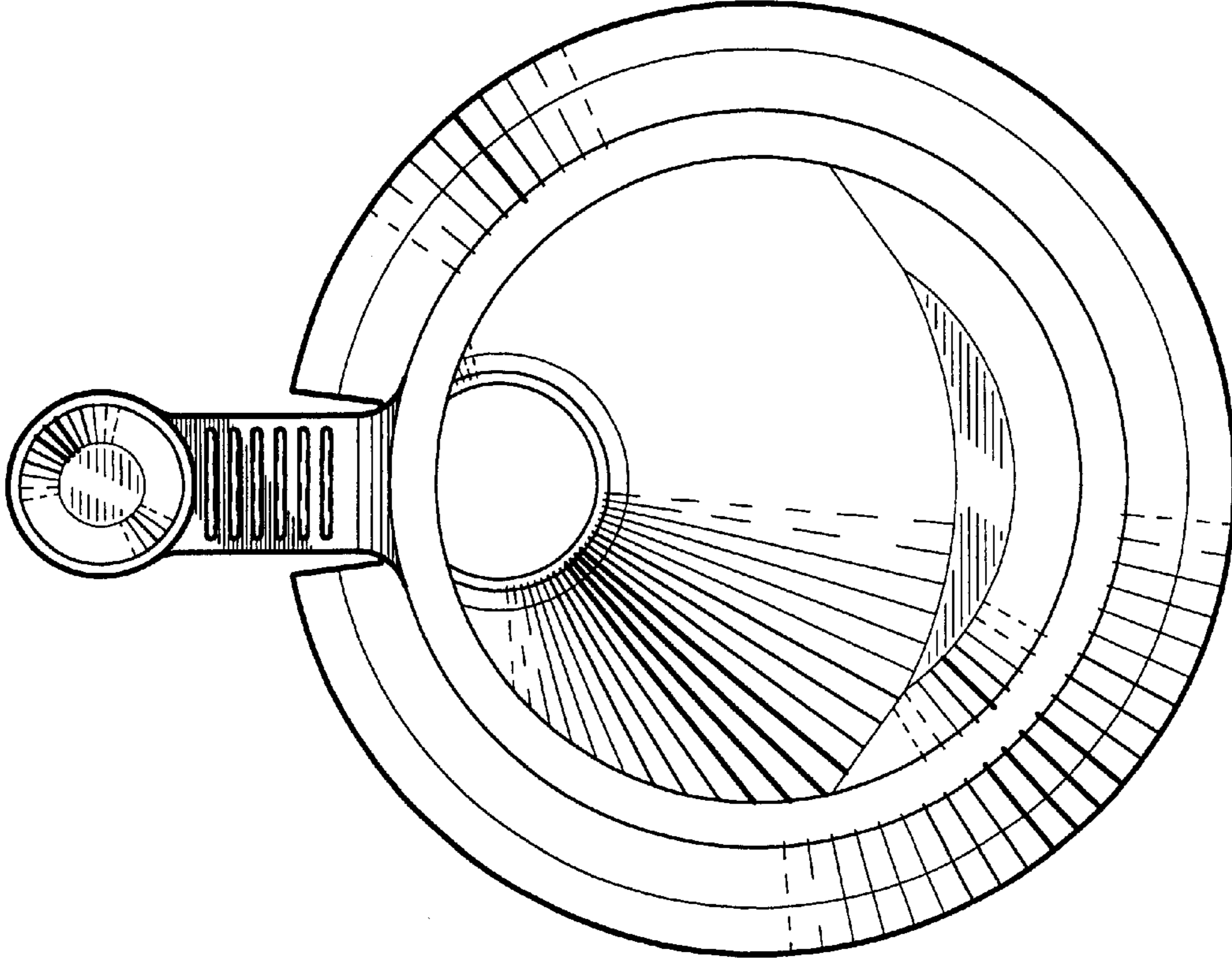


FIGURE 4

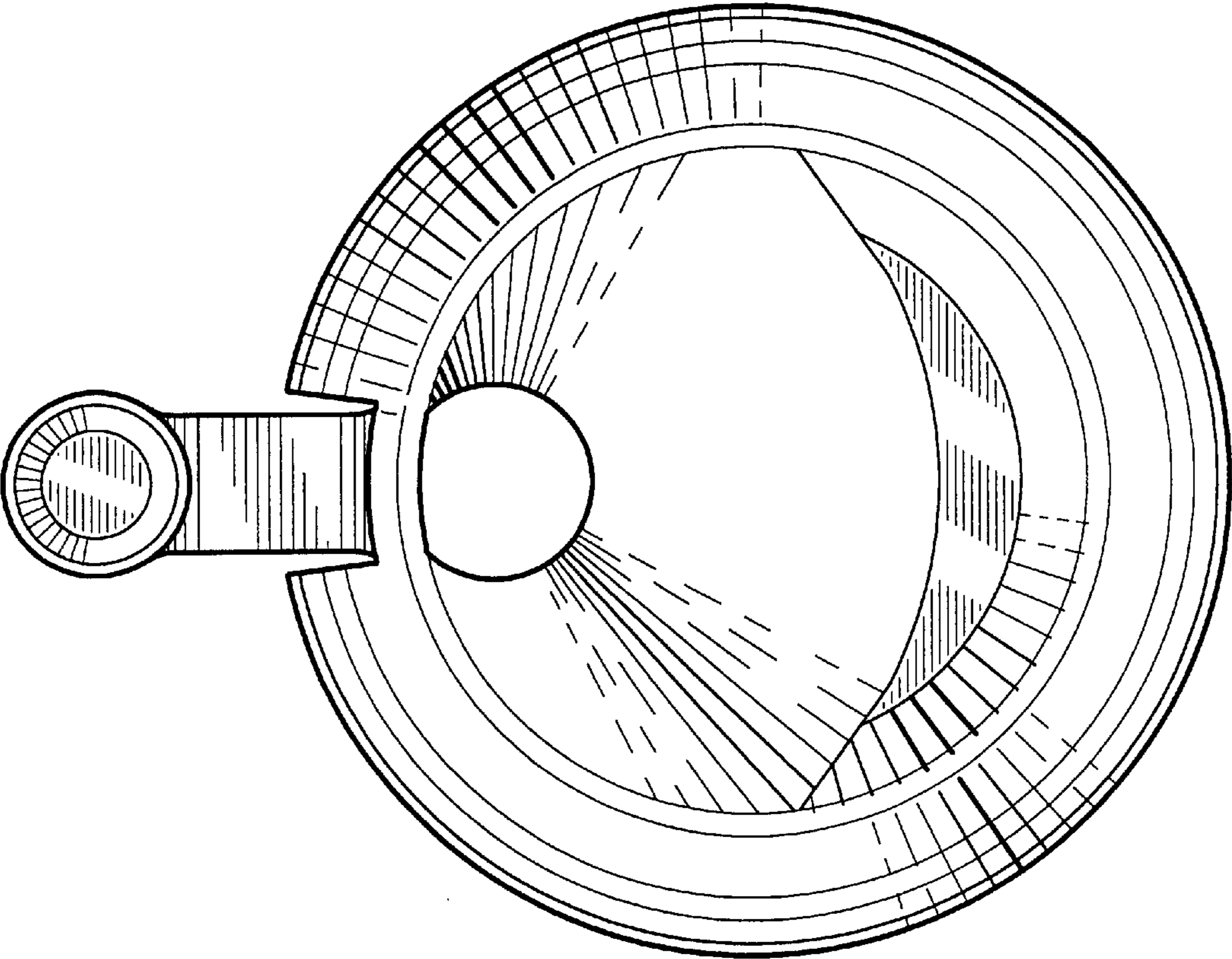


FIGURE 5

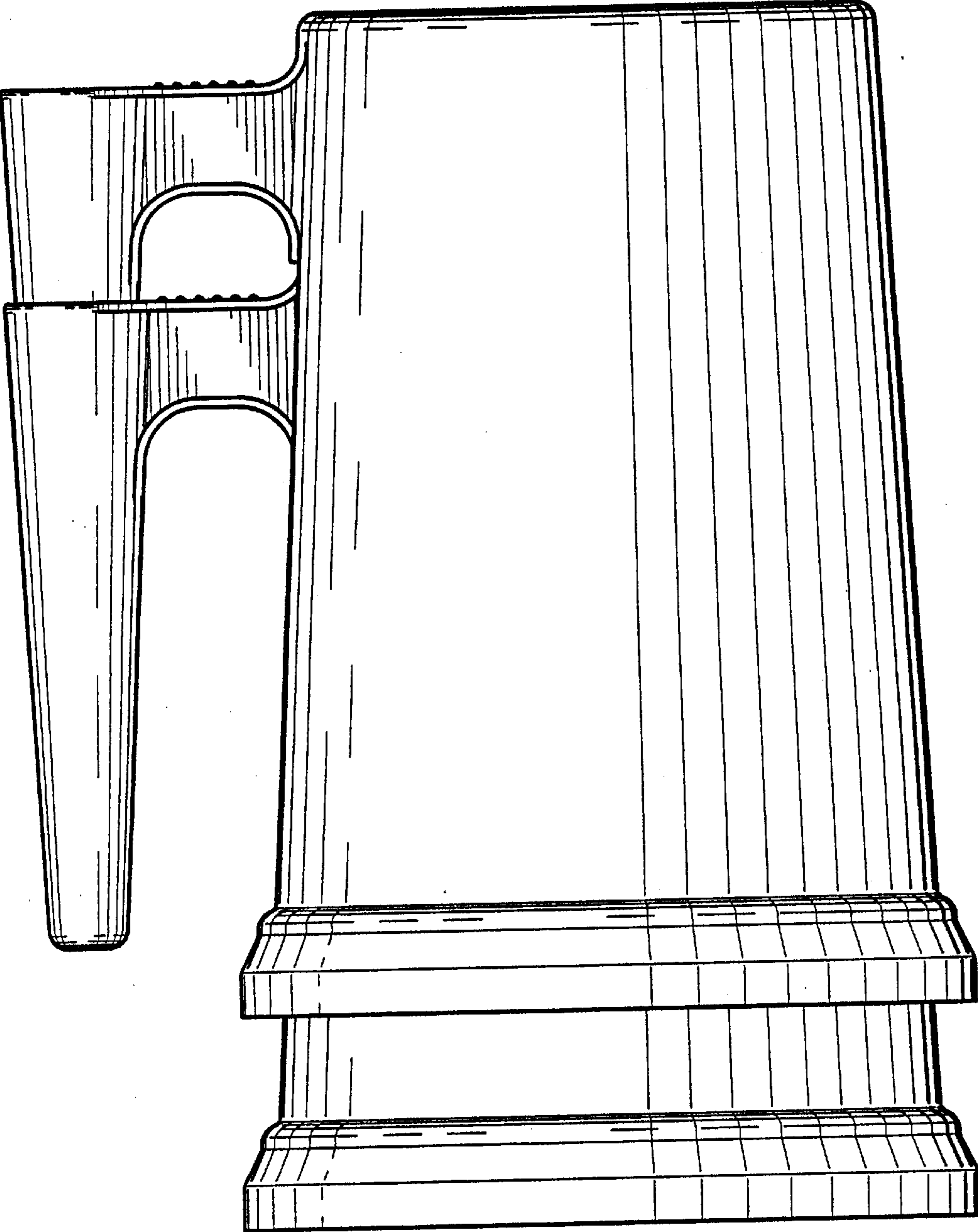


FIGURE 6