

US00D502055S

(12) **United States Design Patent**
Martin et al.

(10) **Patent No.:** **US D502,055 S**
(45) **Date of Patent:** **** Feb. 22, 2005**

- (54) **WHEELED OVEN**
- (75) Inventors: **Cheryl A. Martin**, Watertown, WI (US); **Steven R. Walczak**, Hales Corners, WI (US)
- (73) Assignee: **Phoenix International, Inc.**, Milwaukee, WI (US)
- (**) Term: **14 Years**
- (21) Appl. No.: **29/164,759**
- (22) Filed: **Jul. 30, 2002**
- (51) **LOC (7) Cl.** **07-02**
- (52) **U.S. Cl.** **D7/402; D7/334**
- (58) **Field of Search** D7/332-337, 402-404; 126/25 R, 25 A, 25 AA, 9 R, 9 A, 9 B, 38, 40, 41 R, 26, 29-30; 99/419, 421 R, 421 H, 421 HV

- D335,736 S * 5/1993 Isom D34/25
- D357,781 S * 4/1995 Crinion D34/19
- 6,036,204 A 3/2000 Craft et al.
- 6,073,944 A 6/2000 Moore
- 6,222,159 B1 4/2001 Healy

* cited by examiner

Primary Examiner—Ruth McInroy
(74) *Attorney, Agent, or Firm*—Quarles & Brady LLP

(57) **CLAIM**

The ornamental design for a wheeled oven, as shown and described.

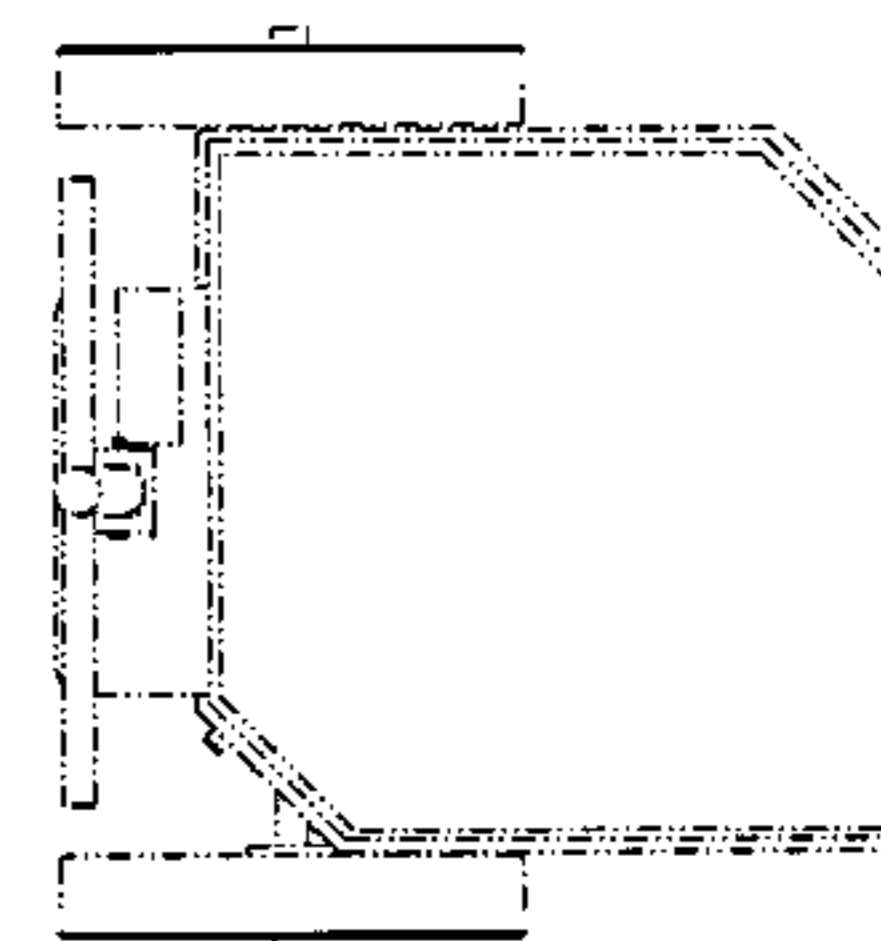
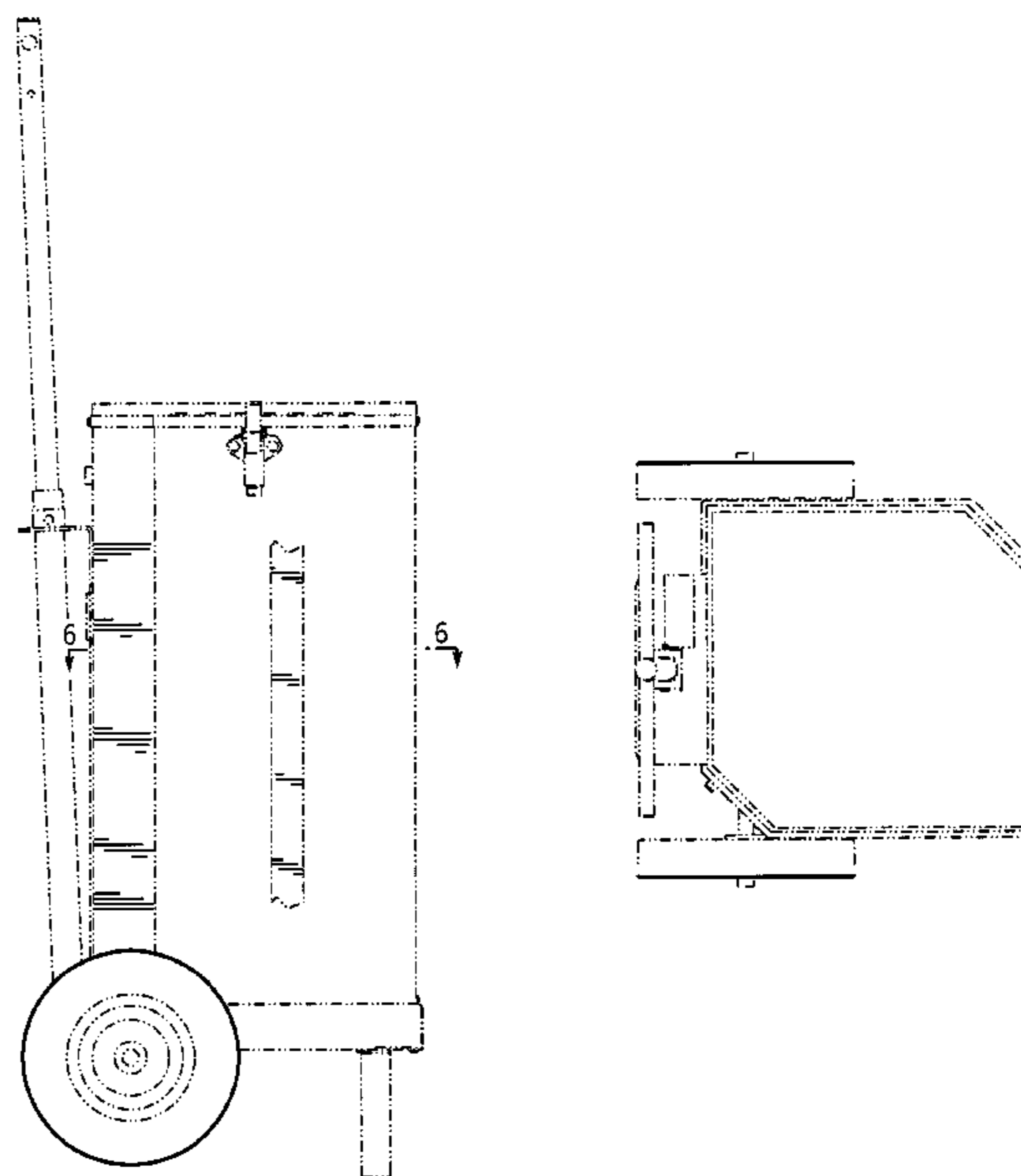
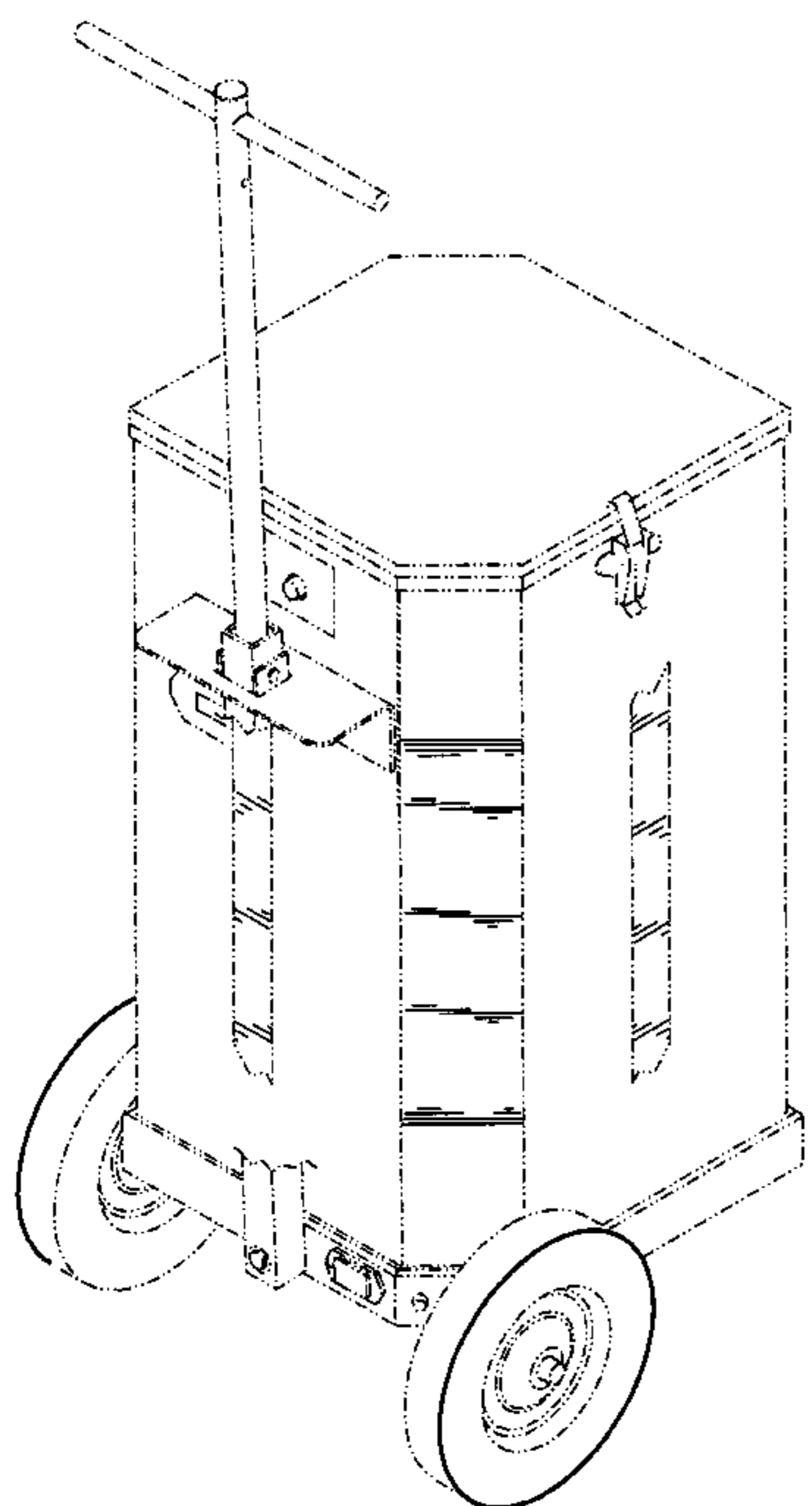
DESCRIPTION

FIG. 1 is a perspective view of a wheeled oven showing a first embodiment of our new design; FIG. 2 is a left side elevational view thereof; FIG. 3 is a back elevational view thereof; FIG. 4 is a front elevational view thereof; FIG. 5 is a right side elevational view thereof; and, FIG. 6 is a top sectional view thereof taken along line 6—6 of FIG. 2.

The details shown in broken lines form no part of the claimed design.

- (56) **References Cited**
U.S. PATENT DOCUMENTS
D238,299 S * 12/1975 Klemm D7/347
4,050,708 A 9/1977 Samardzija et al.
5,071,147 A 12/1991 Stansbury

1 Claim, 4 Drawing Sheets



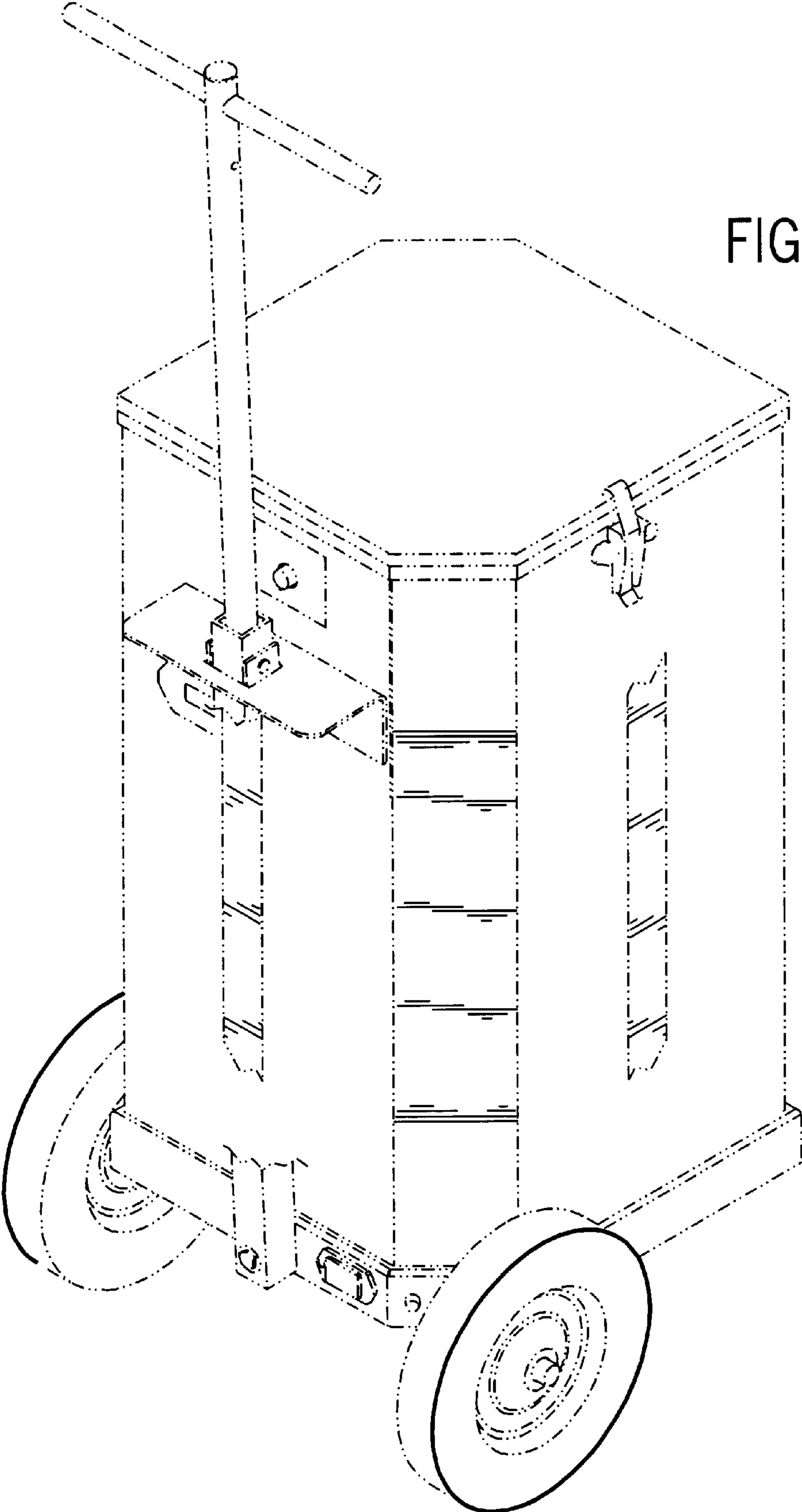


FIG. 1

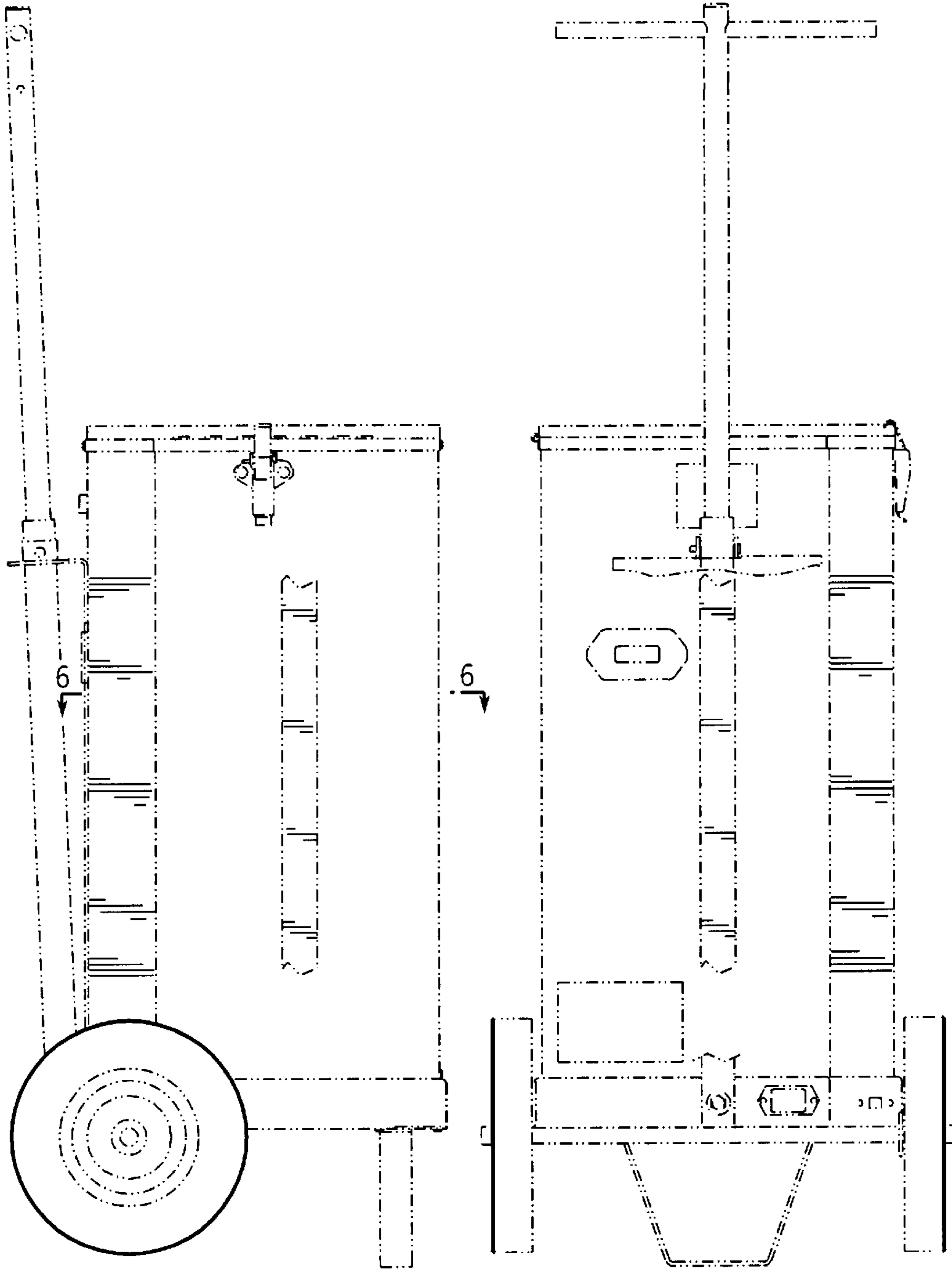


FIG. 2

FIG. 3

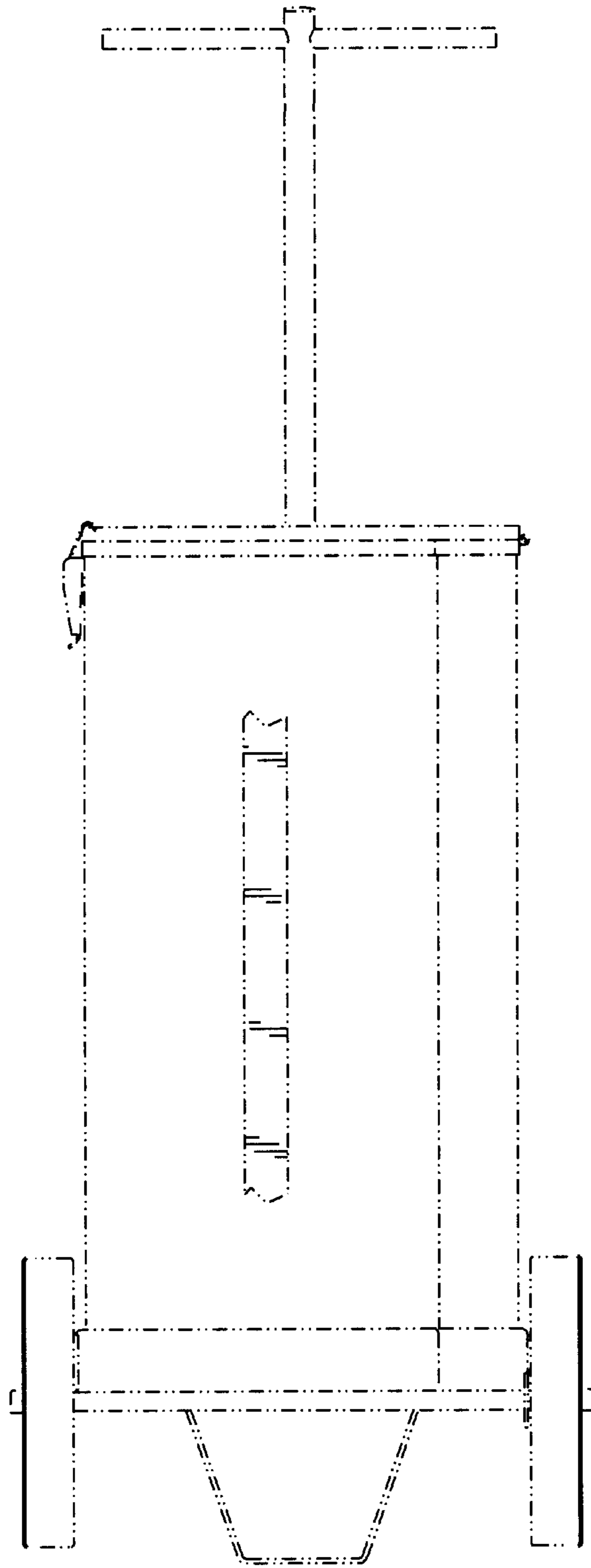


FIG. 4

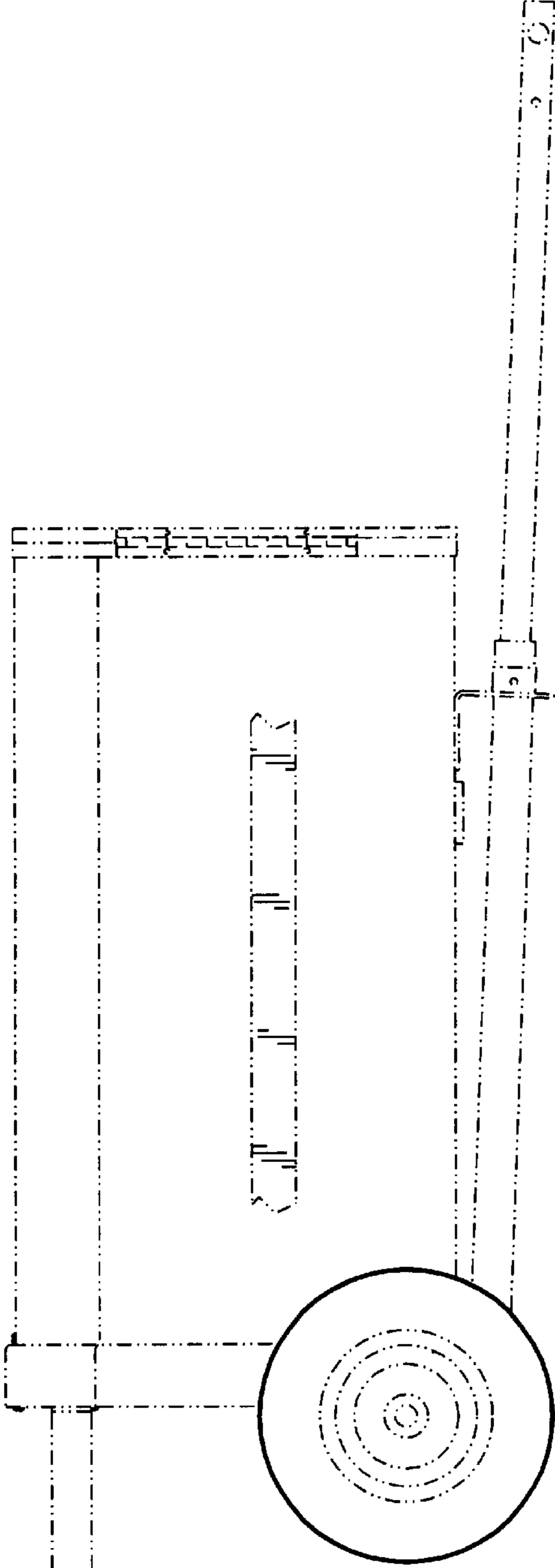


FIG. 5

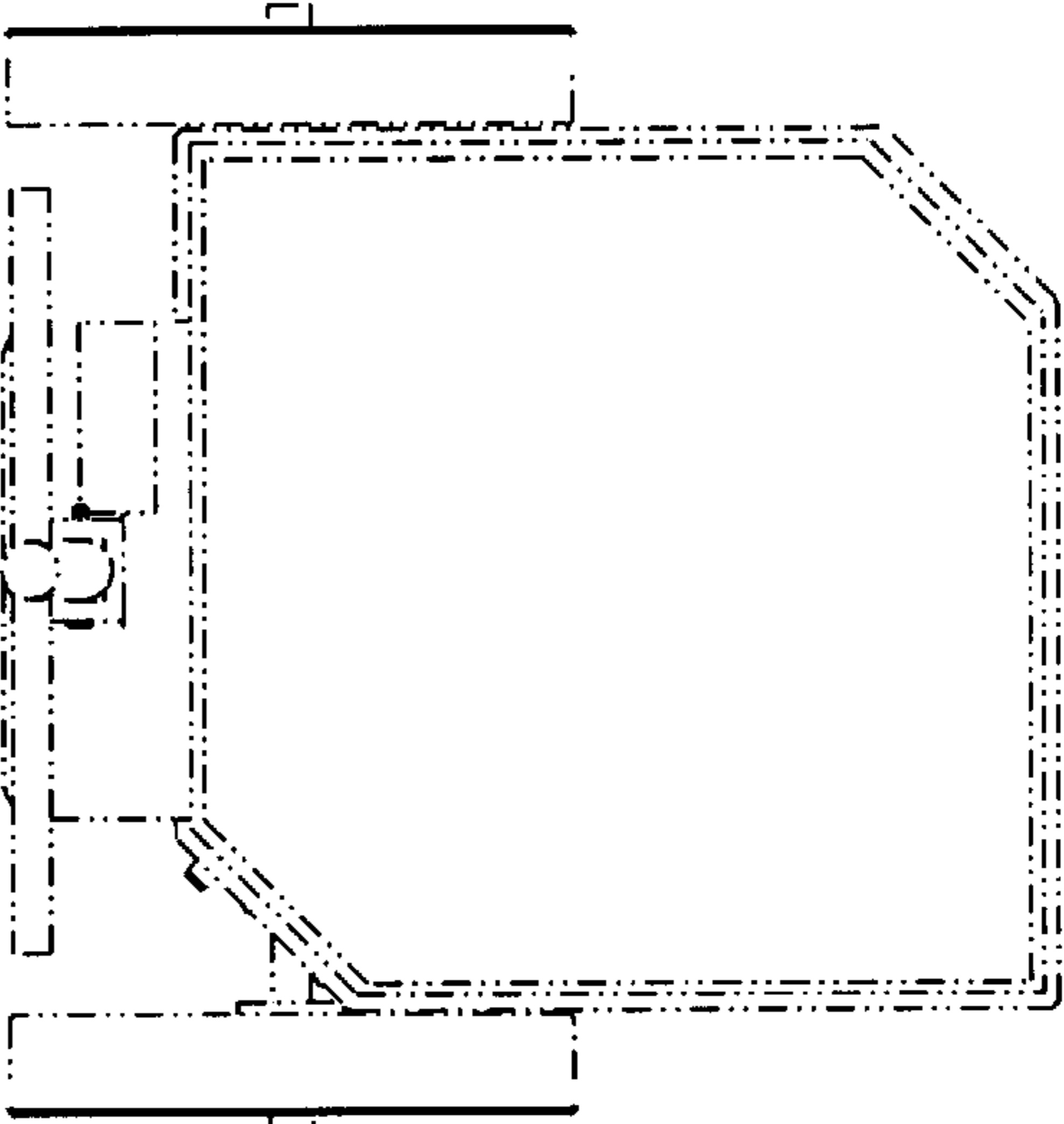


FIG. 6