



US00D502053S

(12) **United States Design Patent**  
**Bodum**

(10) **Patent No.:** **US D502,053 S**  
(45) **Date of Patent:** **\*\* Feb. 22, 2005**

(54) **BASKET FOR ESPRESSO COFFEE MAKER**

(75) Inventor: **Jørgen Bodum**, St. Niklausen (CH)

(73) Assignee: **PI-Design AG**, Triengen (CH)

(\*\*) Term: **14 Years**

(21) Appl. No.: **29/186,006**

(22) Filed: **Jul. 9, 2003**

(51) **LOC (7) Cl.** ..... **07-99**

(52) **U.S. Cl.** ..... **D7/400; D7/399**

(58) **Field of Search** ..... D7/397, 399, 400,  
D7/401, 309, 310, 311; 210/471, 348, 473,  
495, 282, 474, 499; D23/209; 99/323, 293,  
302 R, 290

(56) **References Cited**

**U.S. PATENT DOCUMENTS**

4,497,243	A	*	2/1985	Cavalli	.....	99/323
4,852,474	A	*	8/1989	Mahlich et al.	.....	99/293
4,951,556	A	*	8/1990	Ng	.....	99/285
D342,182	S	*	12/1993	Camara	.....	D7/309
D344,205	S	*	2/1994	Saltet	.....	D7/309
D355,560	S	*	2/1995	Assmann	.....	D7/309
D360,802	S	*	8/1995	Seiffert	.....	D7/309
D361,691	S	*	8/1995	Maass, Jr.	.....	D7/309
5,473,972	A	*	12/1995	Rizzuto et al.	.....	99/290
D366,180	S	*	1/1996	Littmann	.....	D7/309
D380,334	S	*	7/1997	Lin	.....	D7/309

D393,568	S	*	4/1998	Storsberg	.....	D7/400
6,044,754	A	*	4/2000	Fuentes	.....	99/295
6,192,786	B1	*	2/2001	Gasser et al.	.....	99/319
6,481,338	B1	*	11/2002	Wai	.....	99/302 R

\* cited by examiner

*Primary Examiner*—M. N. Pandozzi

(74) *Attorney, Agent, or Firm*—Nath & Associates PLLC

(57) **CLAIM**

The ornamental design for a basket for espresso coffee maker, as shown and described.

**DESCRIPTION**

FIG. 1 is a perspective view of the basket for the espresso coffee maker;

FIG. 2 is a front view of the basket for the espresso coffee maker;

FIG. 3 is a back view of the basket for the espresso coffee maker;

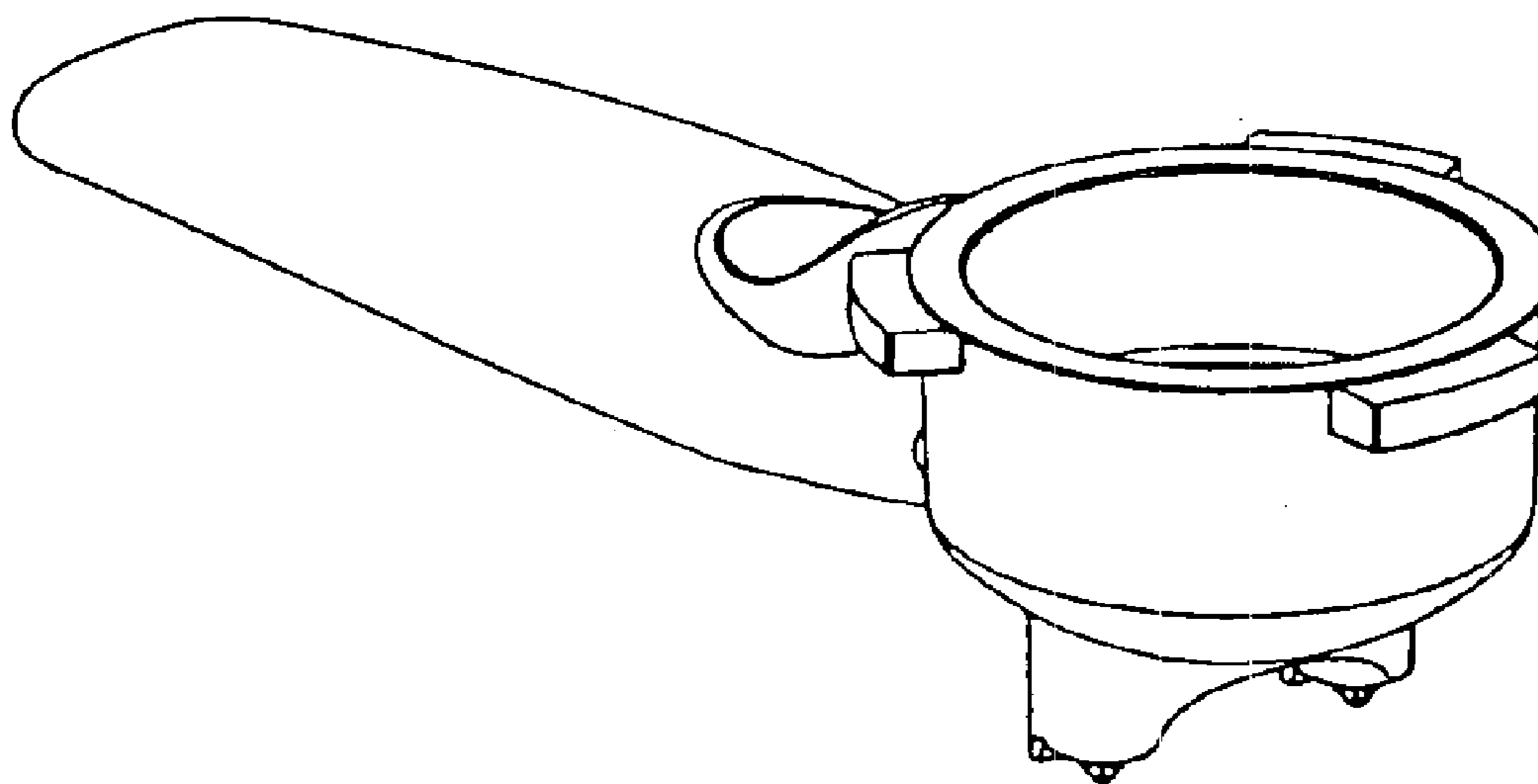
FIG. 4 is a top view of the basket for the espresso coffee maker;

FIG. 5 is a bottom view of the basket for the espresso coffee maker;

FIG. 6 is a left-side view of the basket for the espresso coffee maker; and,

FIG. 7 is a right-side view of the basket for the espresso coffee maker.

**1 Claim, 7 Drawing Sheets**



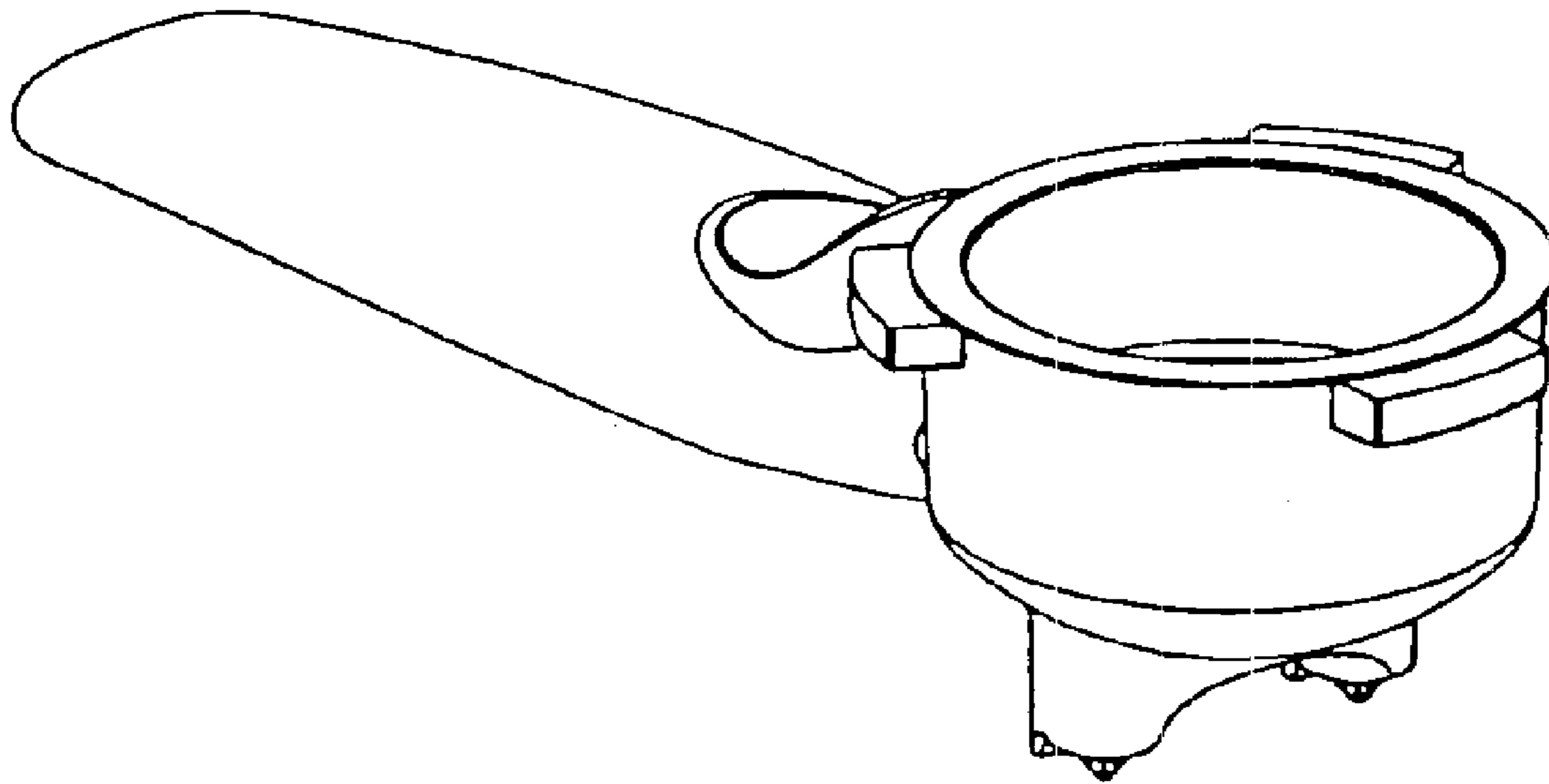


Fig. 1

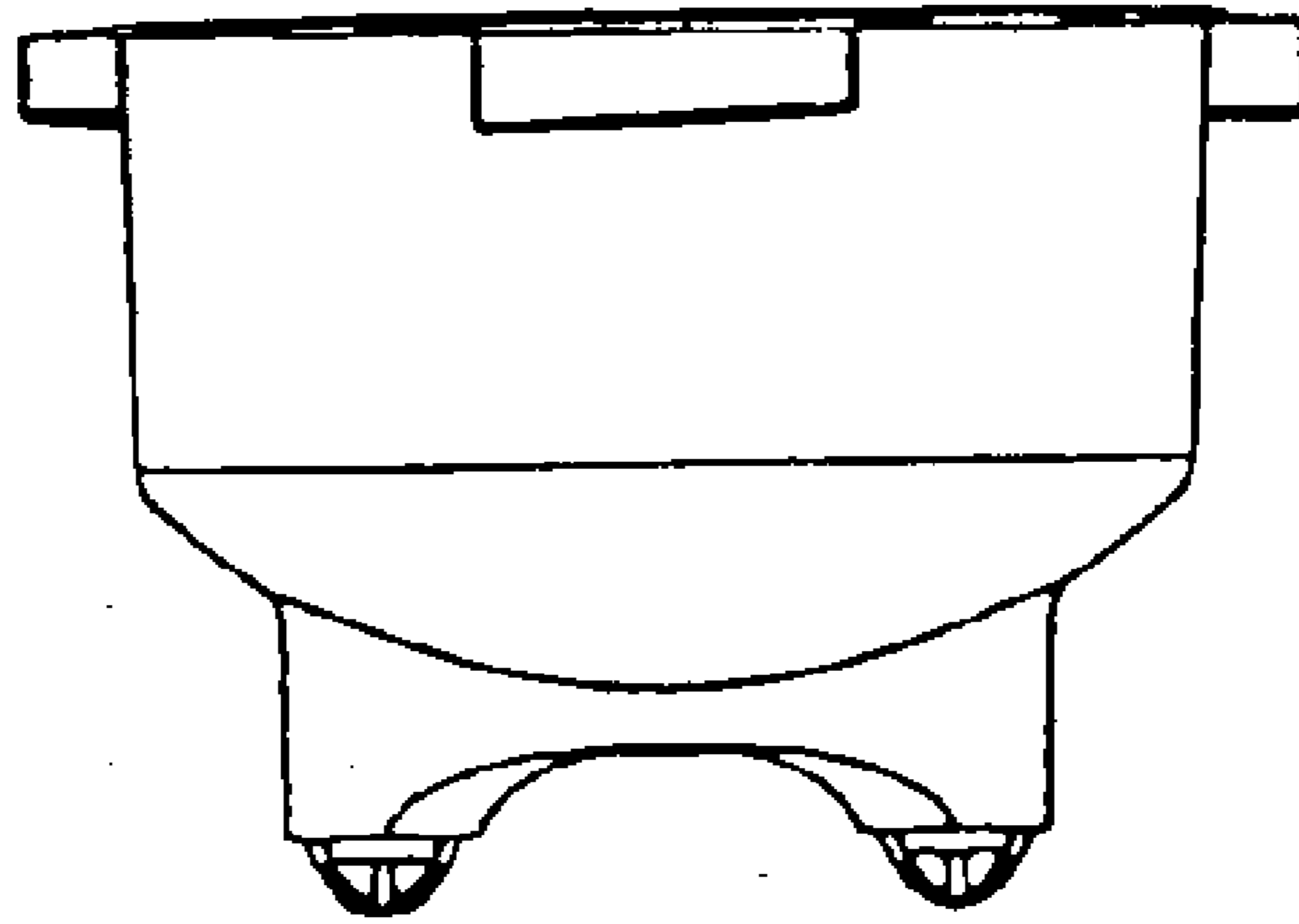


Fig. 2

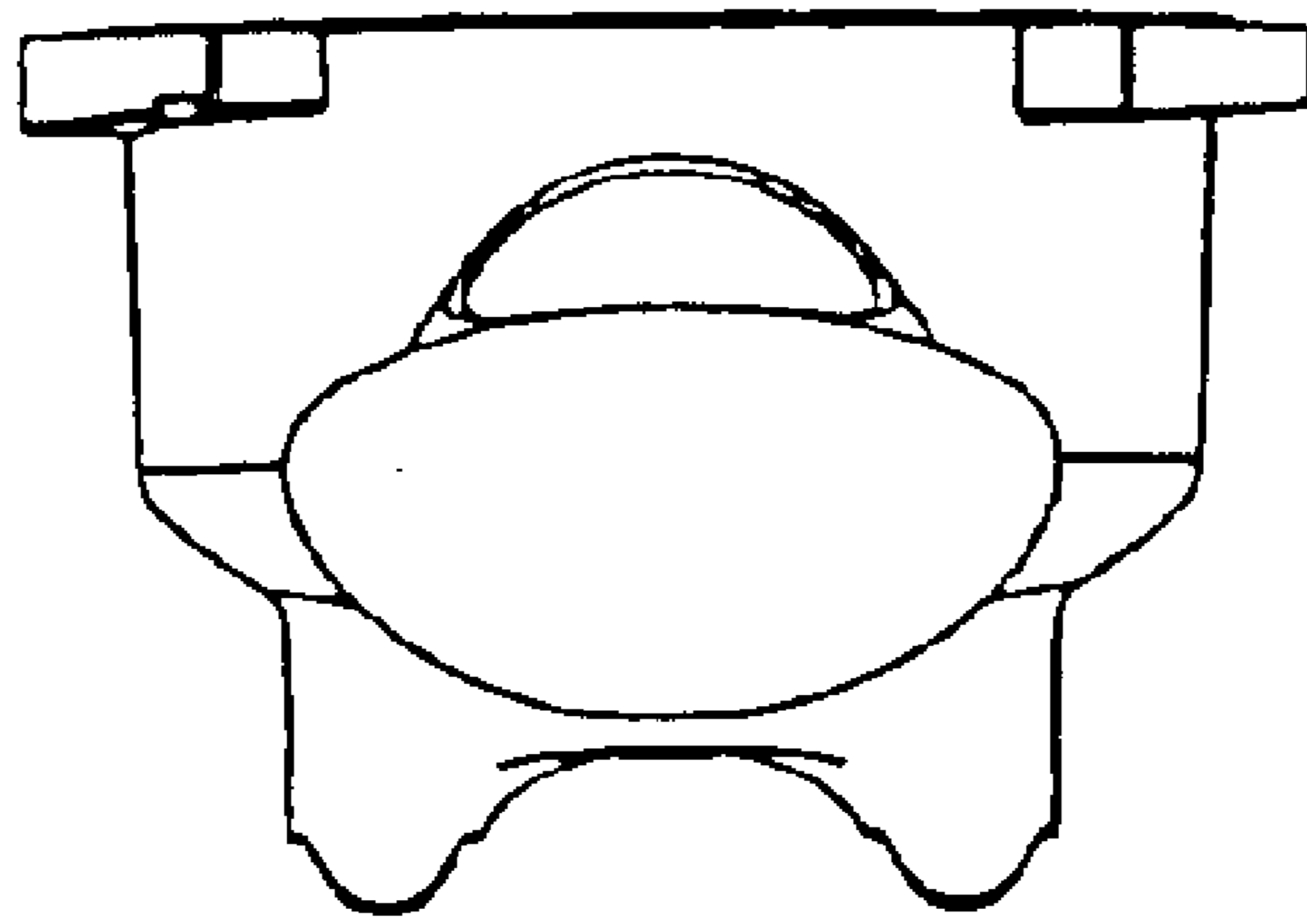


Fig. 3

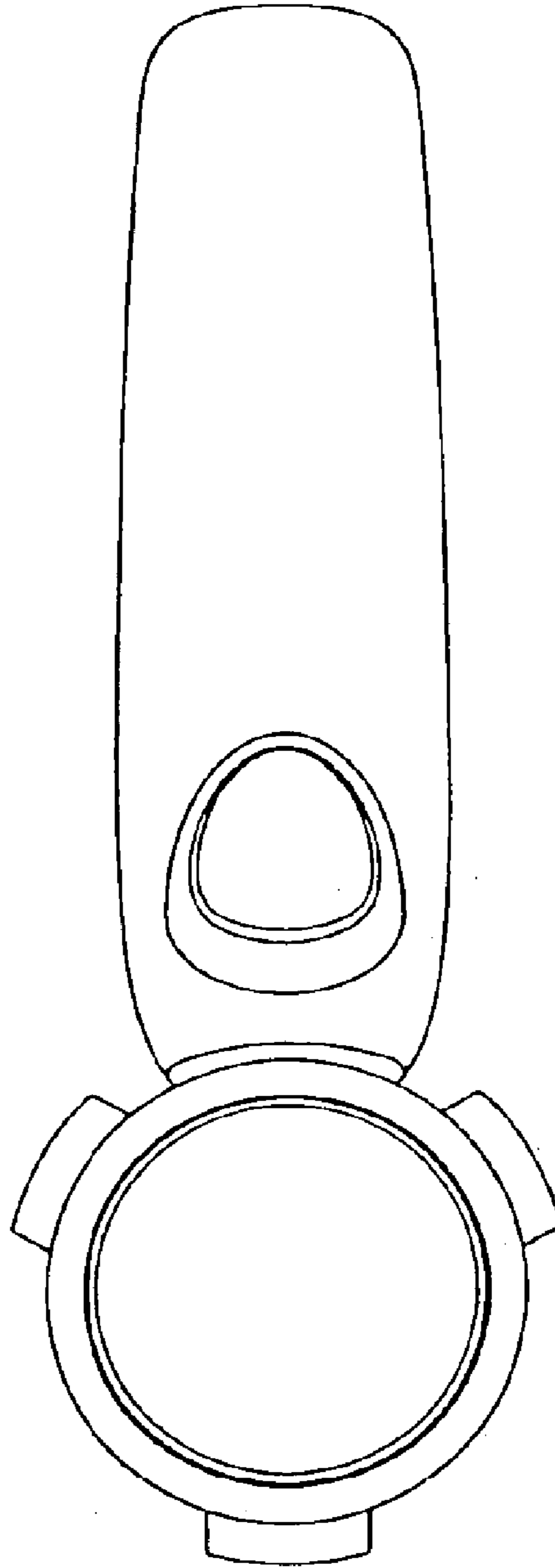


Fig. 4

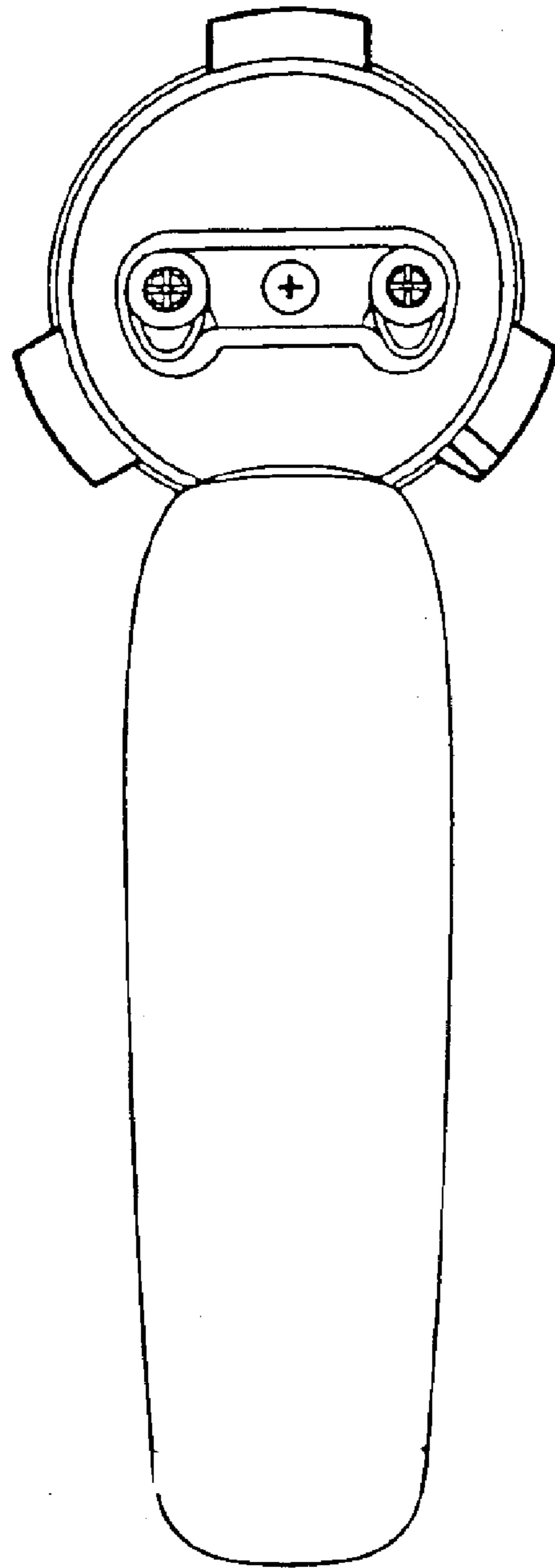


Fig. 5

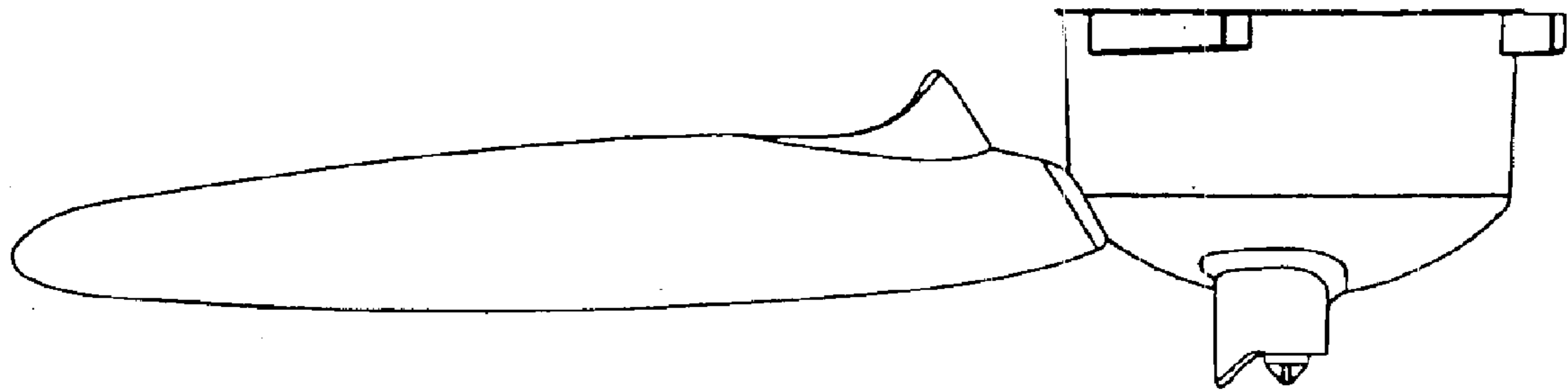


Fig. 6

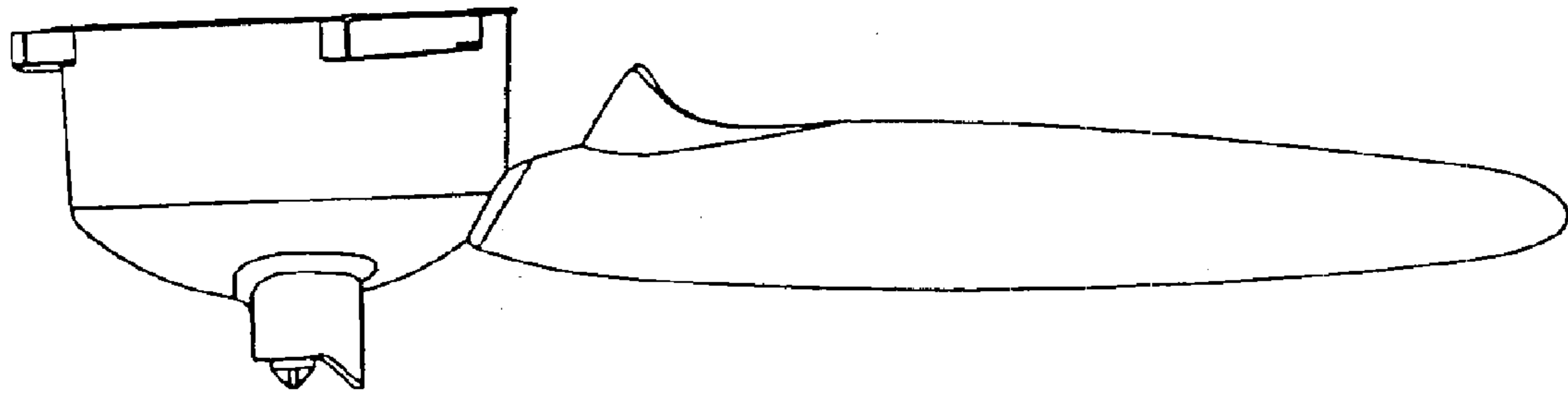


Fig. 7