

US00D502051S

(12) **United States Design Patent**
Stewart

(10) **Patent No.: US D502,051 S**
(45) **Date of Patent: ** Feb. 22, 2005**

(54) **HANDLE FOR KITCHEN AND COOKING IMPLEMENT**

(75) Inventor: **Joshua R. Stewart**, Seattle, WA (US)

(73) Assignee: **Chef'N Corporation**, Seattle, WA (US)

(**) Term: **14 Years**

(21) Appl. No.: **29/196,218**

(22) Filed: **Dec. 23, 2003**

(51) **LOC (7) Cl.** **07-02**

(52) **U.S. Cl.** **D7/393**

(58) **Field of Search** D7/393, 395, 401.2,
D7/681-696, 647, 642-645, 653-664; D8/107;
16/110.1, 430, 431, 441, 444; 294/26, 49,
55.5; 30/147-150, 322-328

(56) **References Cited**

U.S. PATENT DOCUMENTS

- D424,869 S * 5/2000 Chau D7/395
- D447,385 S * 9/2001 Saunders et al. D7/395
- D452,996 S * 1/2002 Prince et al. D7/395

* cited by examiner

Primary Examiner—Terry A. Wallace

(74) *Attorney, Agent, or Firm*—Seed IP Law Group PLLC

(57) **CLAIM**

The ornamental design for a handle for kitchen and cooking implement, as shown and described.

DESCRIPTION

FIG. 1 is a front perspective view of a handle for kitchen and cooking implement showing my new design.

FIG. 2 is a front elevation view thereof.

FIG. 3 is a rear elevation view thereof.

FIG. 4 is a top plan view thereof.

FIG. 5 is a bottom plan view thereof.

FIG. 6 is a left end view thereof.

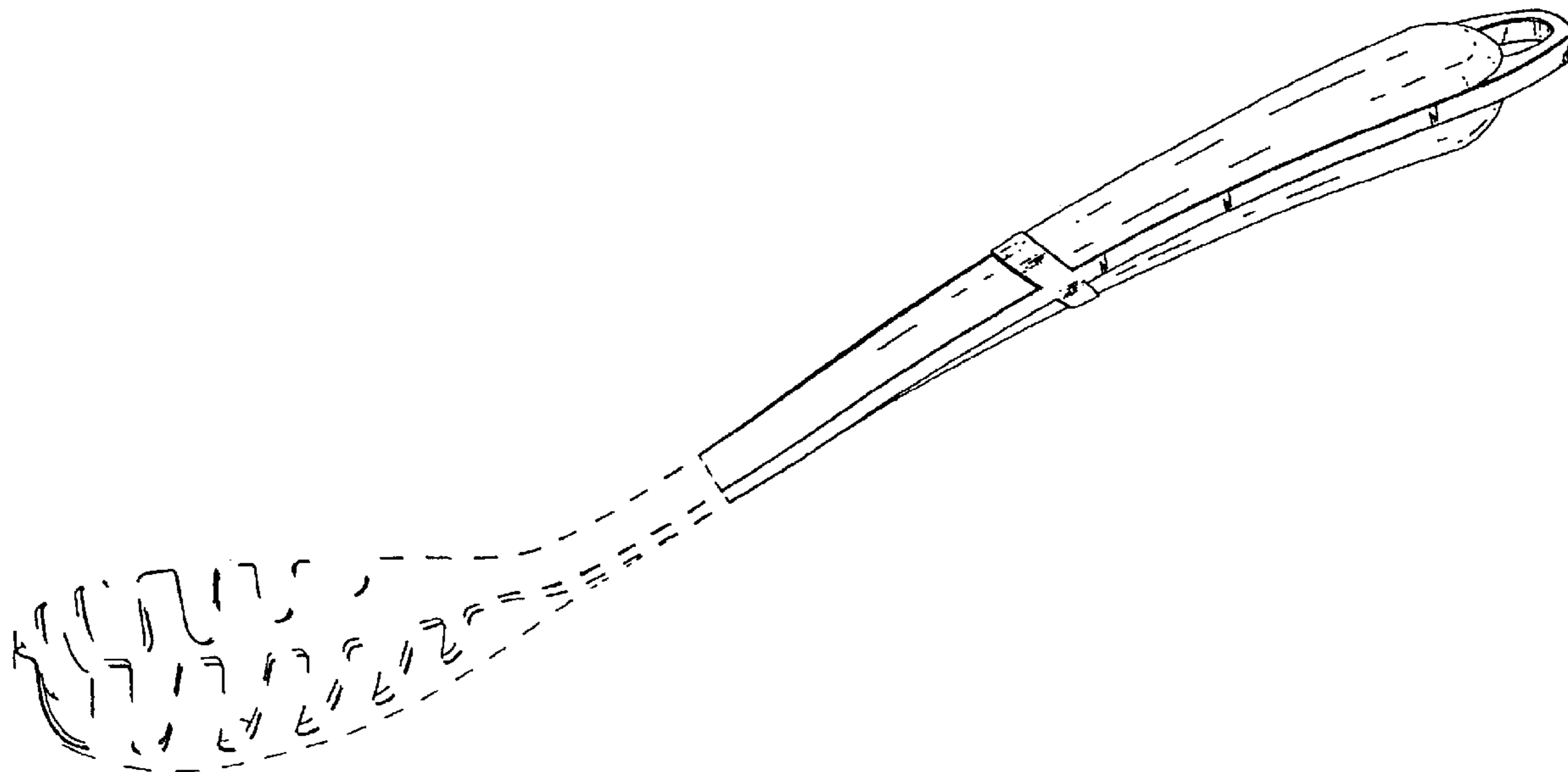
FIG. 7 is a right end view thereof.

FIG. 8 is a perspective view thereof shown in an alternate environment; and,

FIG. 9 is a perspective view thereof shown in an alternate environment.

The broken lines in the figures are for illustrative purposes only and form no part of the claimed design.

1 Claim, 8 Drawing Sheets



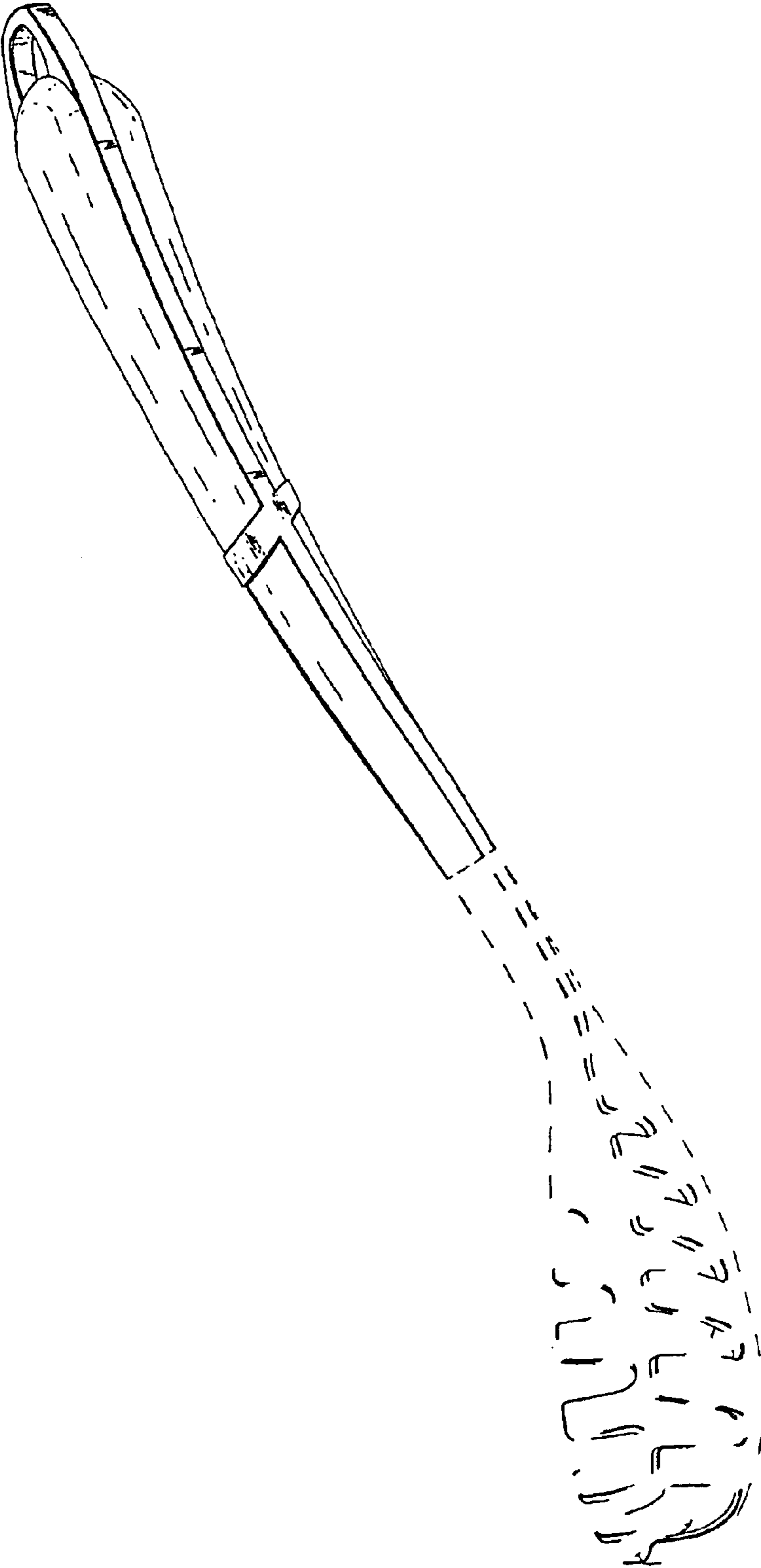


FIG. 1

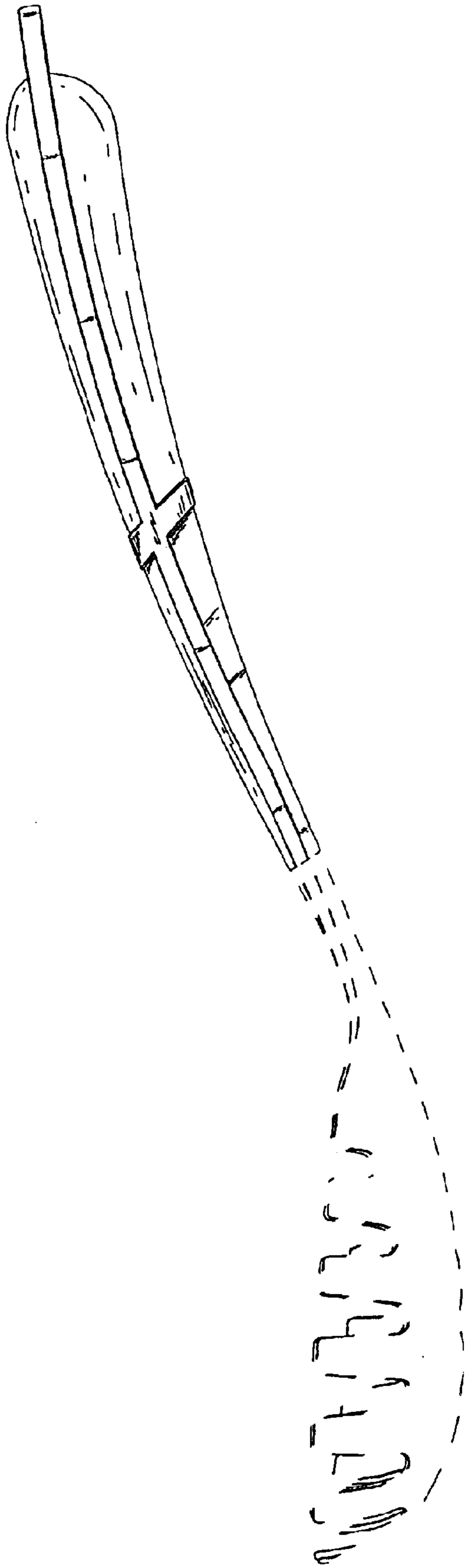


FIG. 2

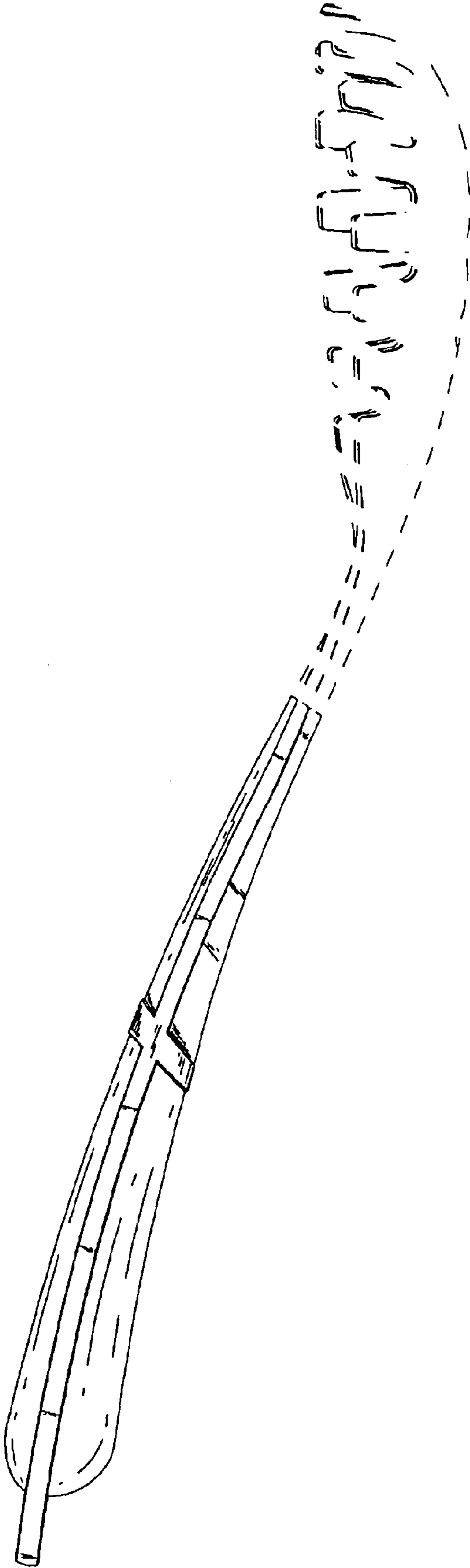


FIG. 3

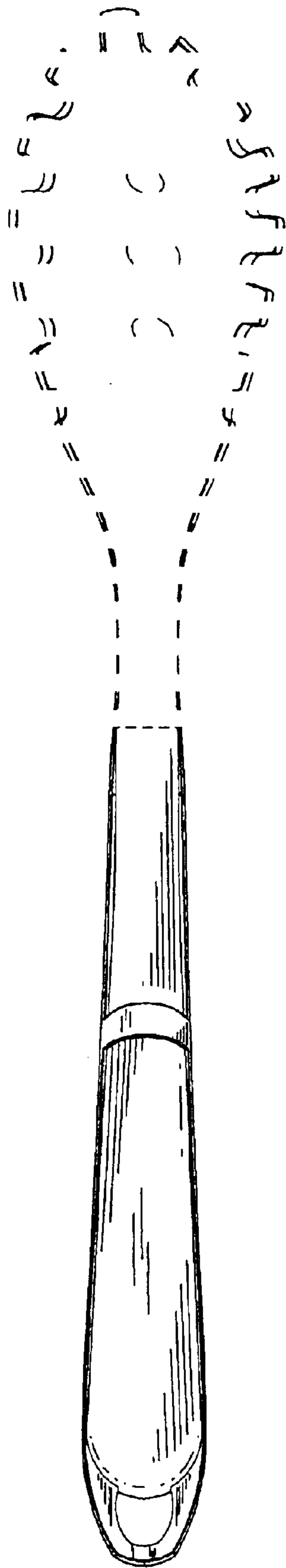


FIG. 4

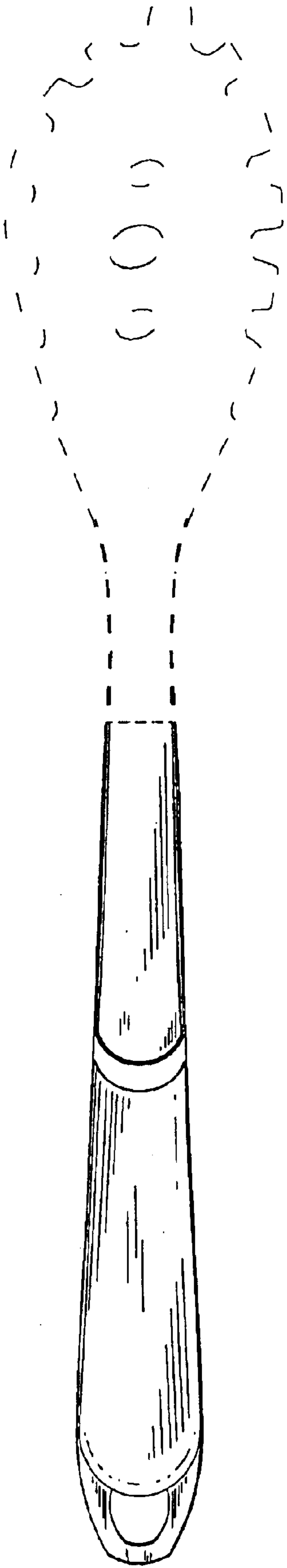


FIG. 5

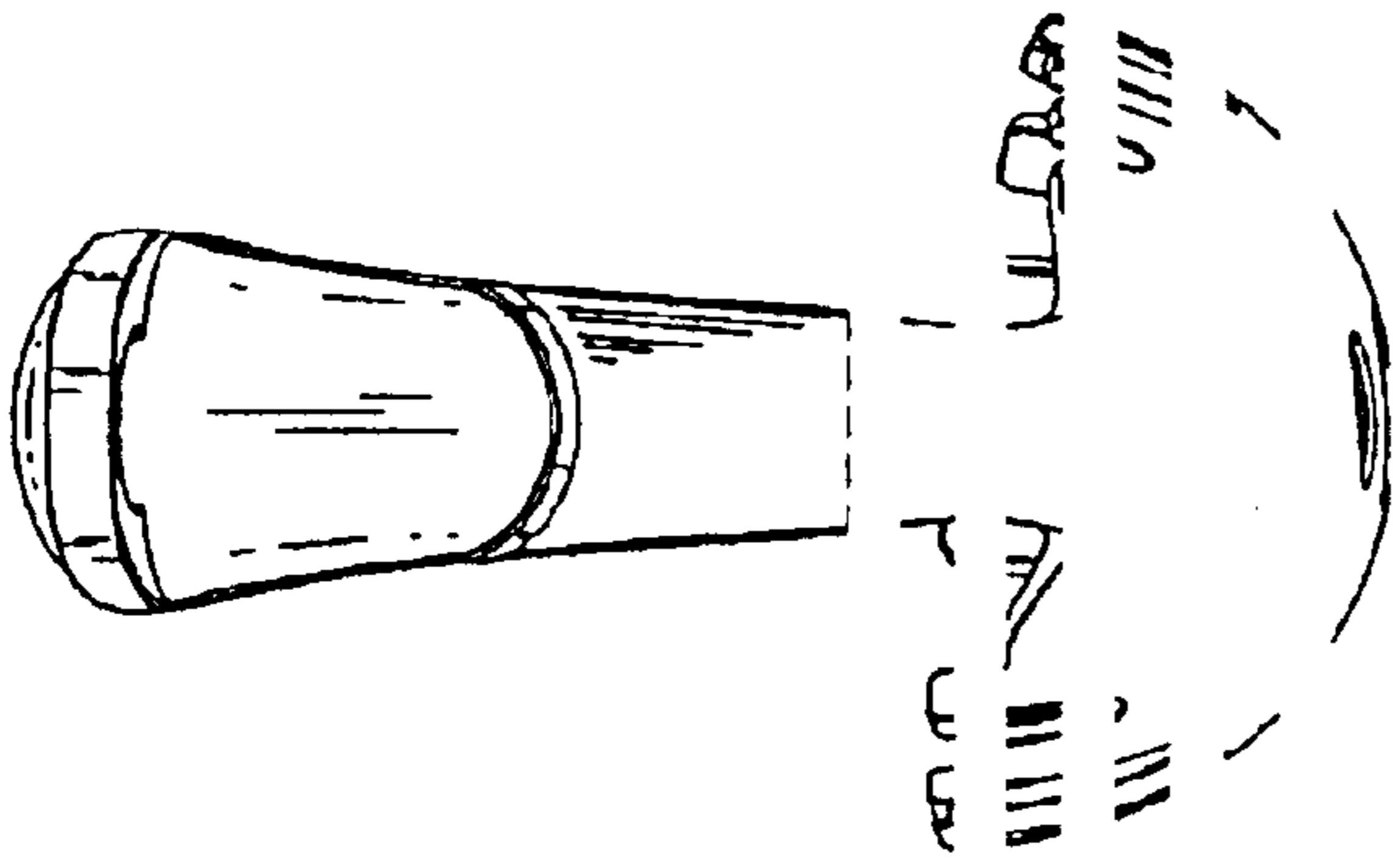


FIG. 6

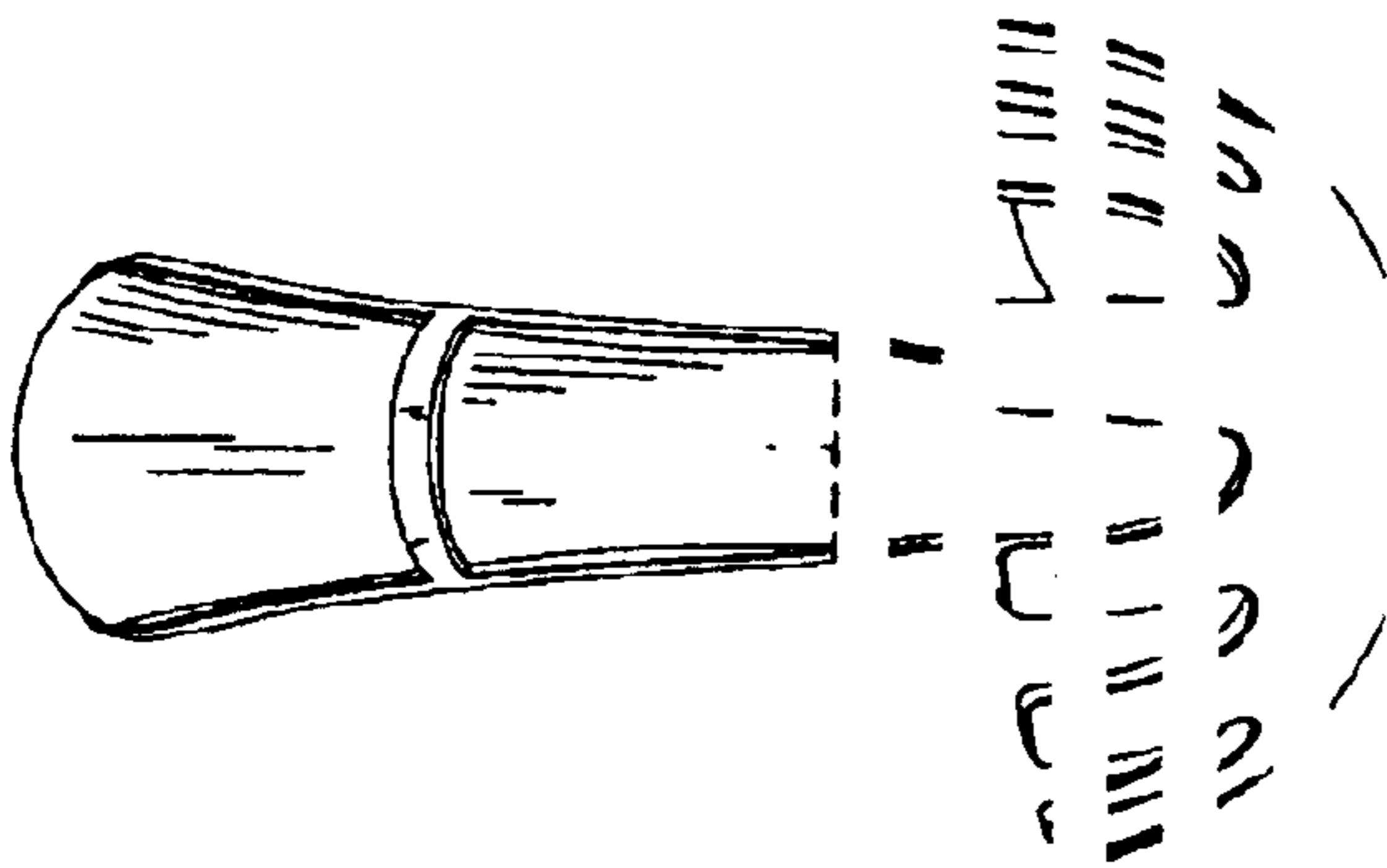


FIG. 7

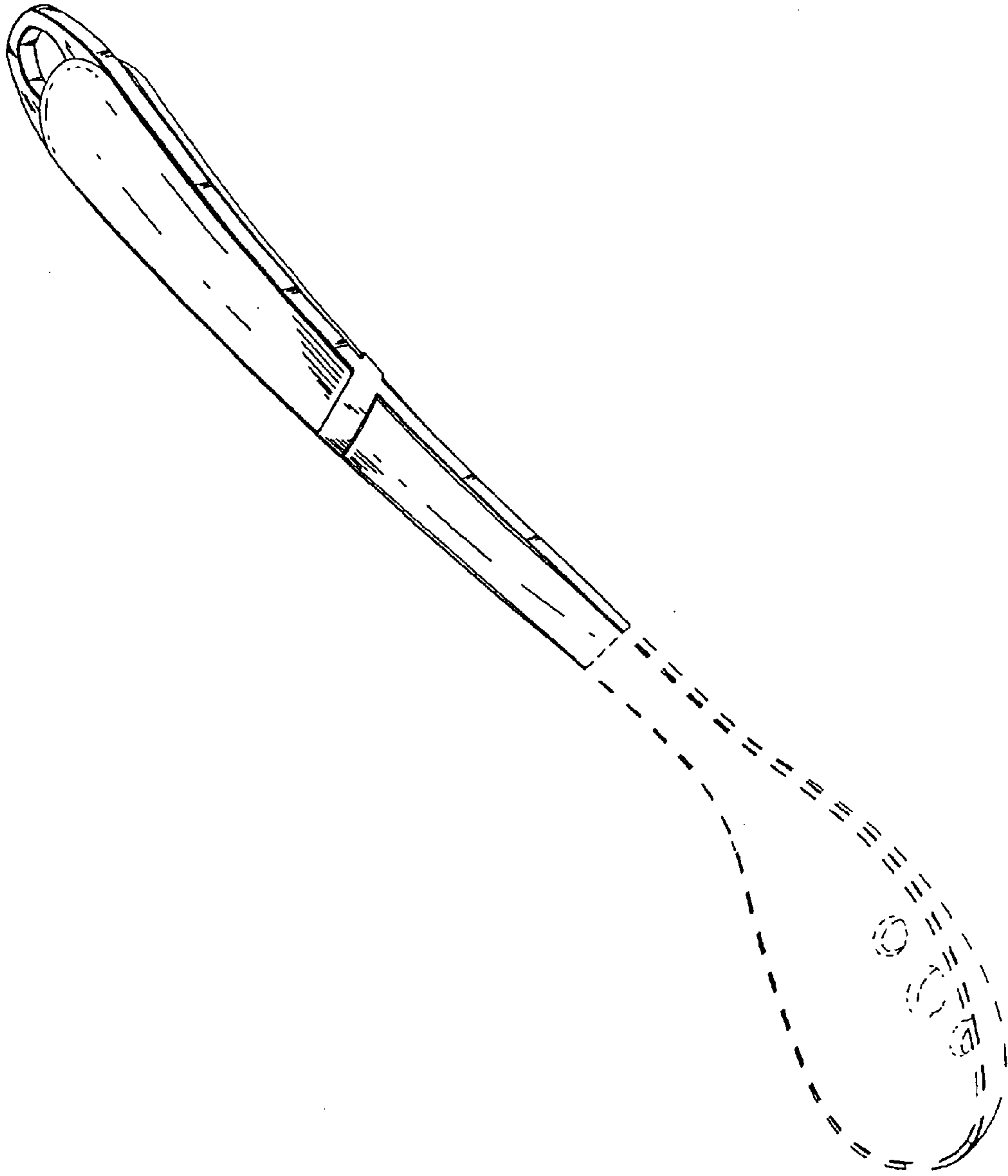


FIG. 8

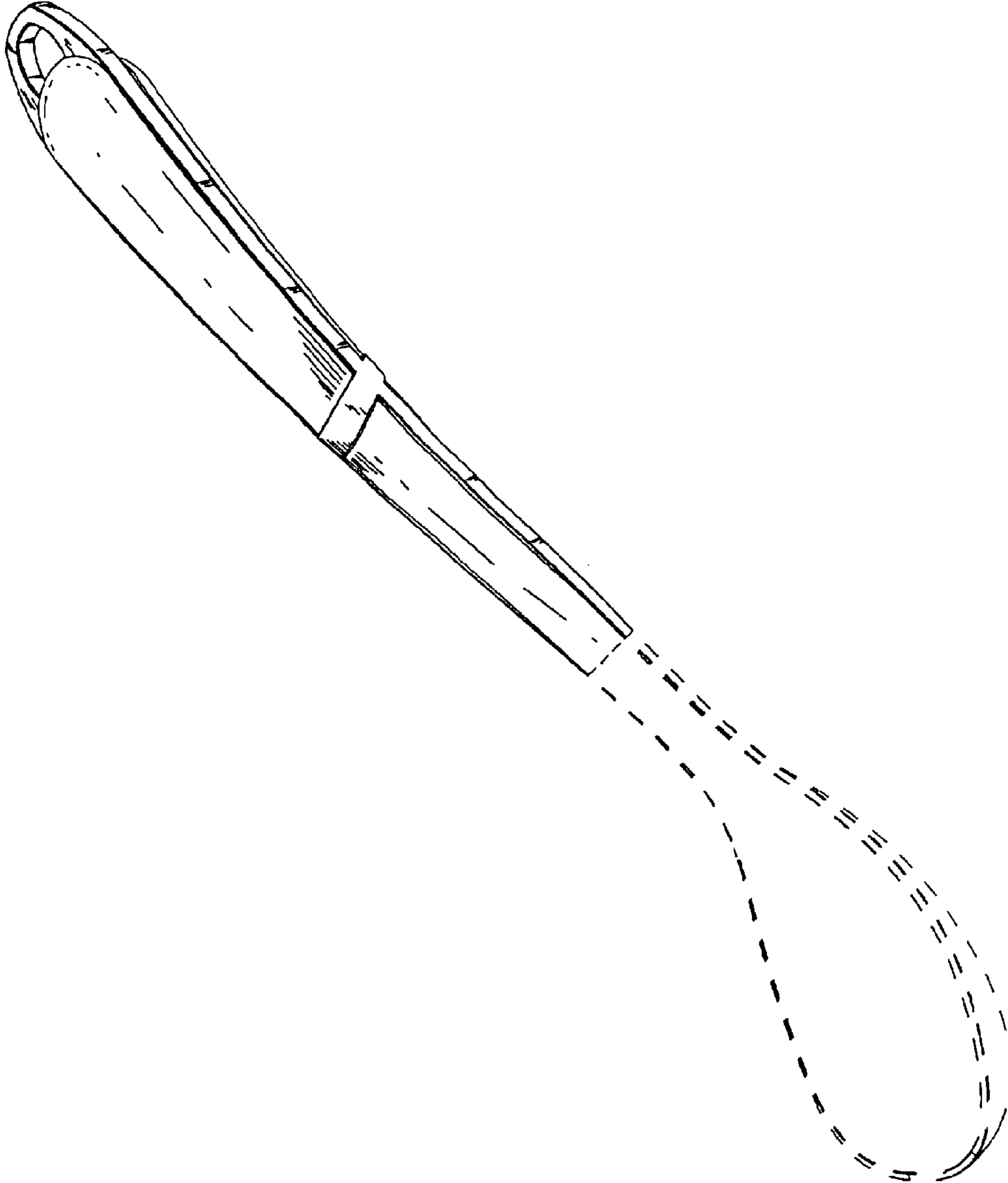


FIG. 9