

US00D502050S

(12) **United States Design Patent**
Munson et al.

(10) **Patent No.:** **US D502,050 S**
(45) **Date of Patent:** **** Feb. 22, 2005**

(54) **ROUNDED FOOD CONTAINER COVER**

D376,960 S * 12/1996 Ferris D7/629

(75) Inventors: **Jeff D. Munson**, Henderson, NV (US);
James A. Ingram, Laguna Hills, CA (US)

* cited by examiner

Primary Examiner—Terry A. Wallace
(74) *Attorney, Agent, or Firm*—George F. Bethel

(73) Assignee: **Cambro Manufacturing Company**,
Huntington Beach, CA (US)

(57) **CLAIM**

(**) Term: **14 Years**

We claim the ornamental design for a rounded food container cover, as shown and described.

(21) Appl. No.: **29/195,792**

DESCRIPTION

(22) Filed: **Dec. 17, 2003**

(51) **LOC (7) Cl.** **07-01**

(52) **U.S. Cl.** **D7/392.1**

(58) **Field of Search** D7/391-392.1,
D7/538-542, 612-615, 629; D9/414, 424-432;
206/553, 457; 220/4.21, 780-806, 309.1,
367.1, 376, 377; 229/406, 902-906

FIG. 1 is a top, front, left side perspective view of the rounded food container cover showing our new design, the broken lines of the food container are for illustrative purposes only and form no part of the claimed design;

FIG. 2 is a right side elevation view thereof;

FIG. 3 is a rear elevation view thereof;

FIG. 4 is a bottom plan view thereof; and,

FIG. 5 is a cross-section view taken along line 5—5 of FIG. 1.

(56) **References Cited**

U.S. PATENT DOCUMENTS

4,471,880 A * 9/1984 Taylor et al. 220/792

1 Claim, 4 Drawing Sheets

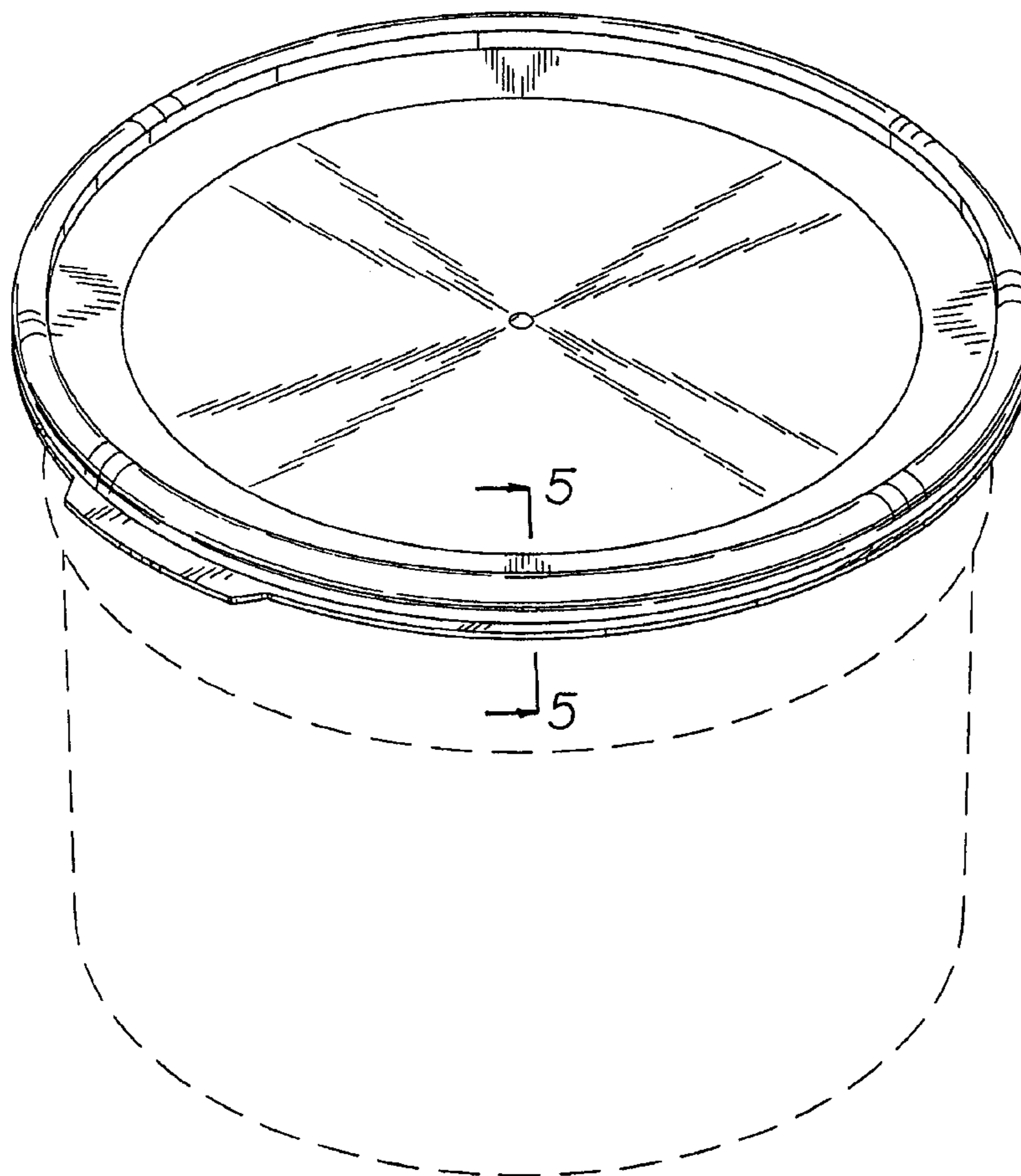


FIG. 1

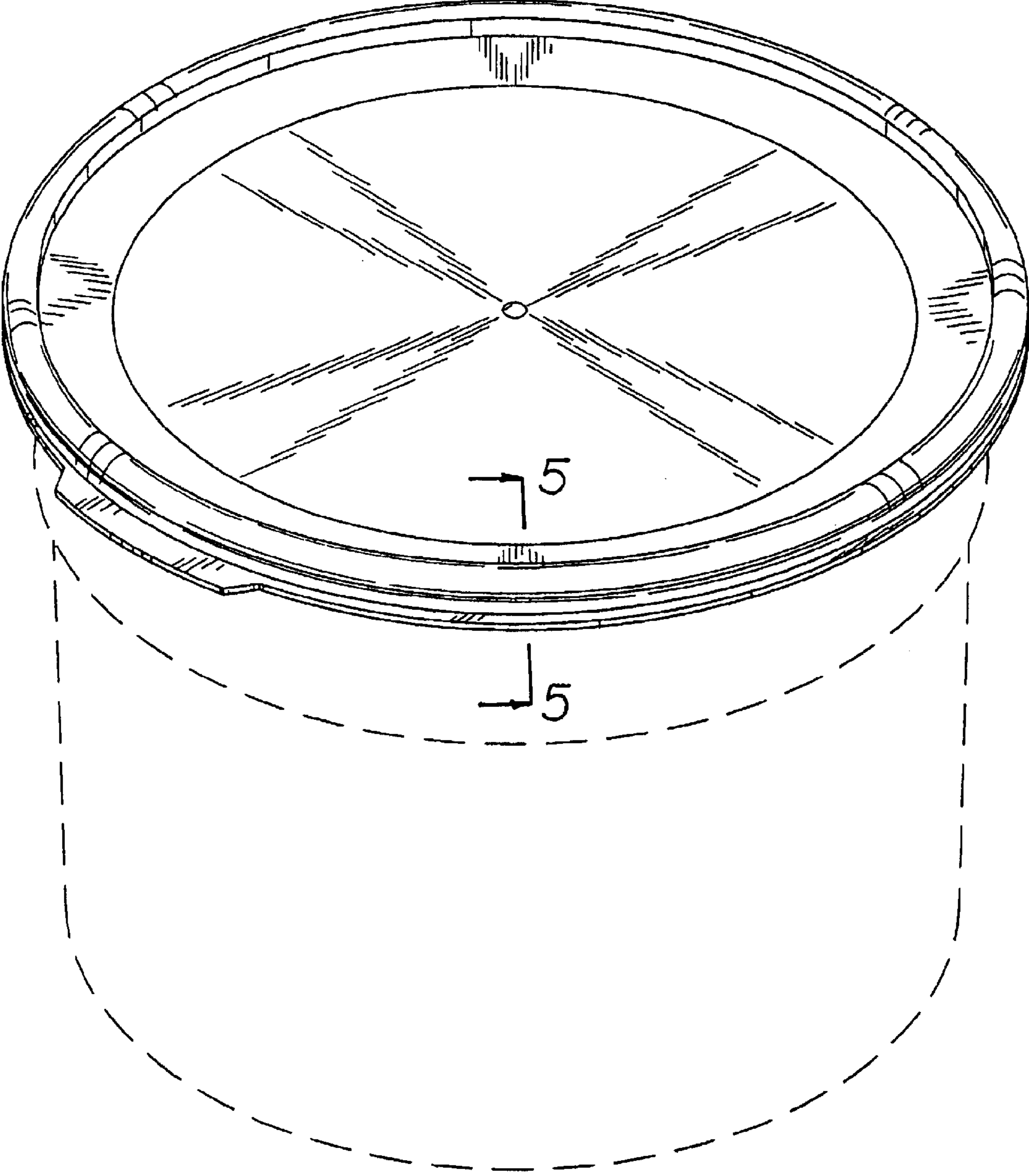




FIG. 2

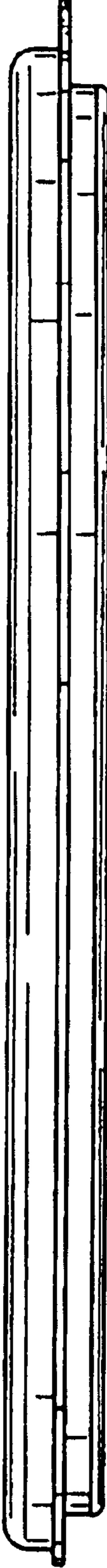


FIG. 3

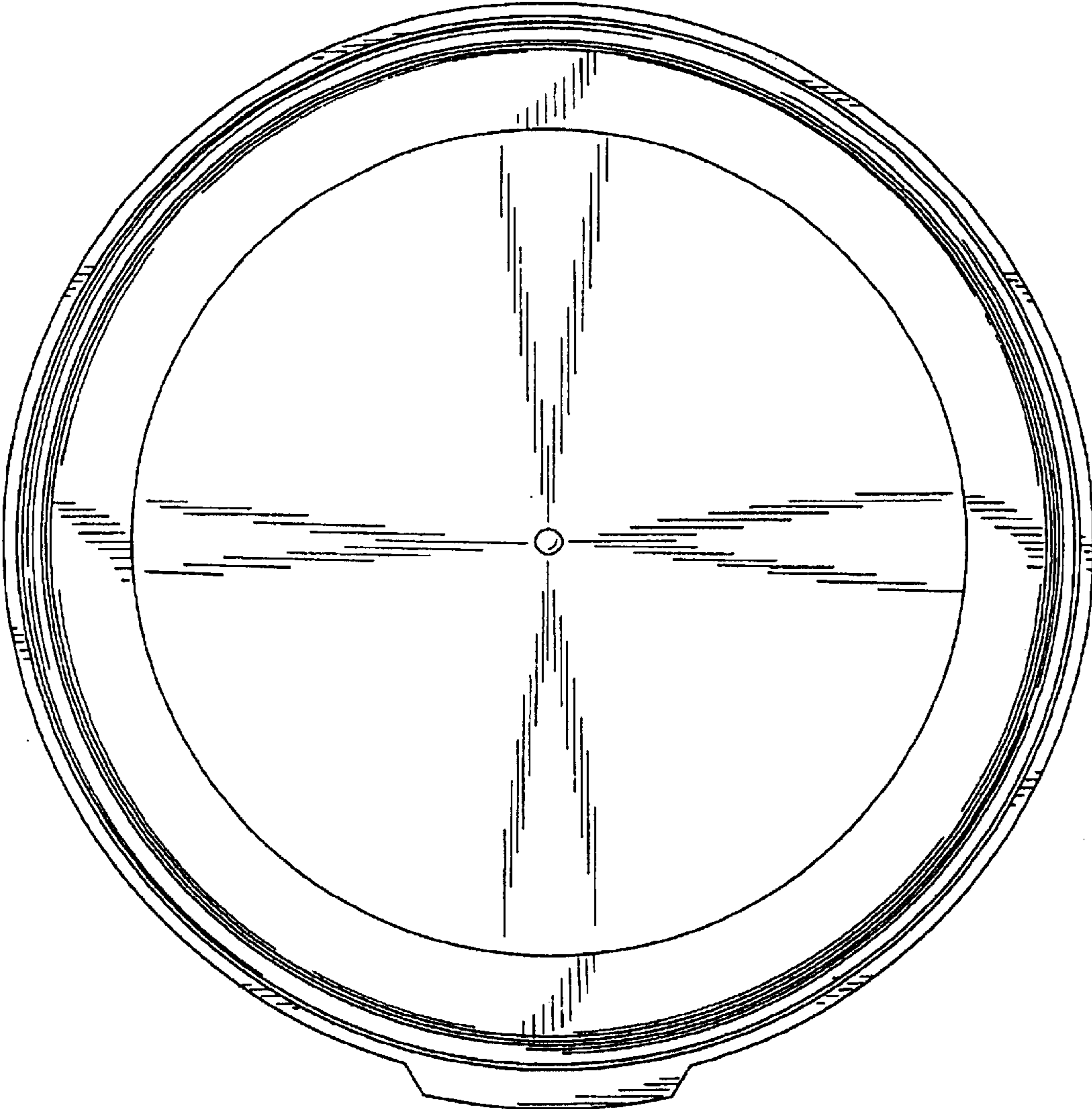


FIG. 4

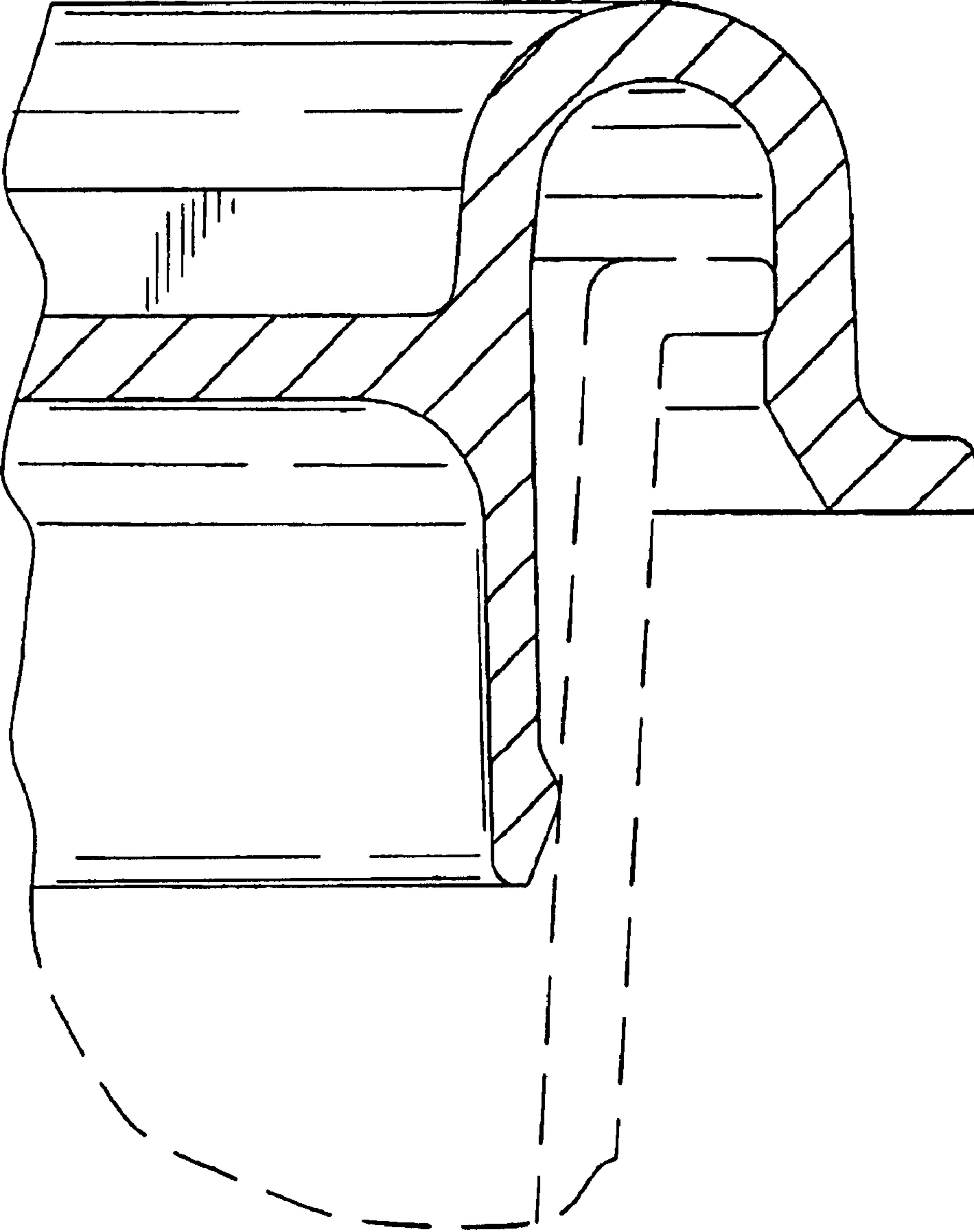


FIG. 5