

US00D502049S

(12) **United States Design Patent**
Munson et al.

(10) **Patent No.: US D502,049 S**
(45) **Date of Patent: ** Feb. 22, 2005**

(54) **ELONGATED FOOD CONTAINER COVER**
(75) Inventors: **Jeff D. Munson**, Henderson, NV (US);
James A. Ingram, Laguna Hills, CA (US)

D375,654 S * 11/1996 Ferris D7/392.1
D418,716 S * 1/2000 Haley D7/392.1
D425,363 S * 5/2000 Loew et al. D7/392.1
D440,470 S * 4/2001 Tucker et al. D7/629

* cited by examiner

(73) Assignee: **Cambro Manufacturing Company**,
Huntington Beach, CA (US)

Primary Examiner—Terry A. Wallace
(74) *Attorney, Agent, or Firm*—George F. Bethel

(**) Term: **14 Years**

(57) **CLAIM**

(21) Appl. No.: **29/195,761**

We claim the ornamental design for an elongated food container cover, as shown and described.

(22) Filed: **Dec. 17, 2003**

DESCRIPTION

(51) **LOC (7) Cl.** **07-01**

(52) **U.S. Cl.** **D7/392.1**

(58) **Field of Search** D7/391-392.1,
D7/538-542, 612-615, 629; D9/414, 424-432;
206/553, 457; 220/4.21, 780-806, 309.1,
367.1, 376, 377; 229/406, 902-906

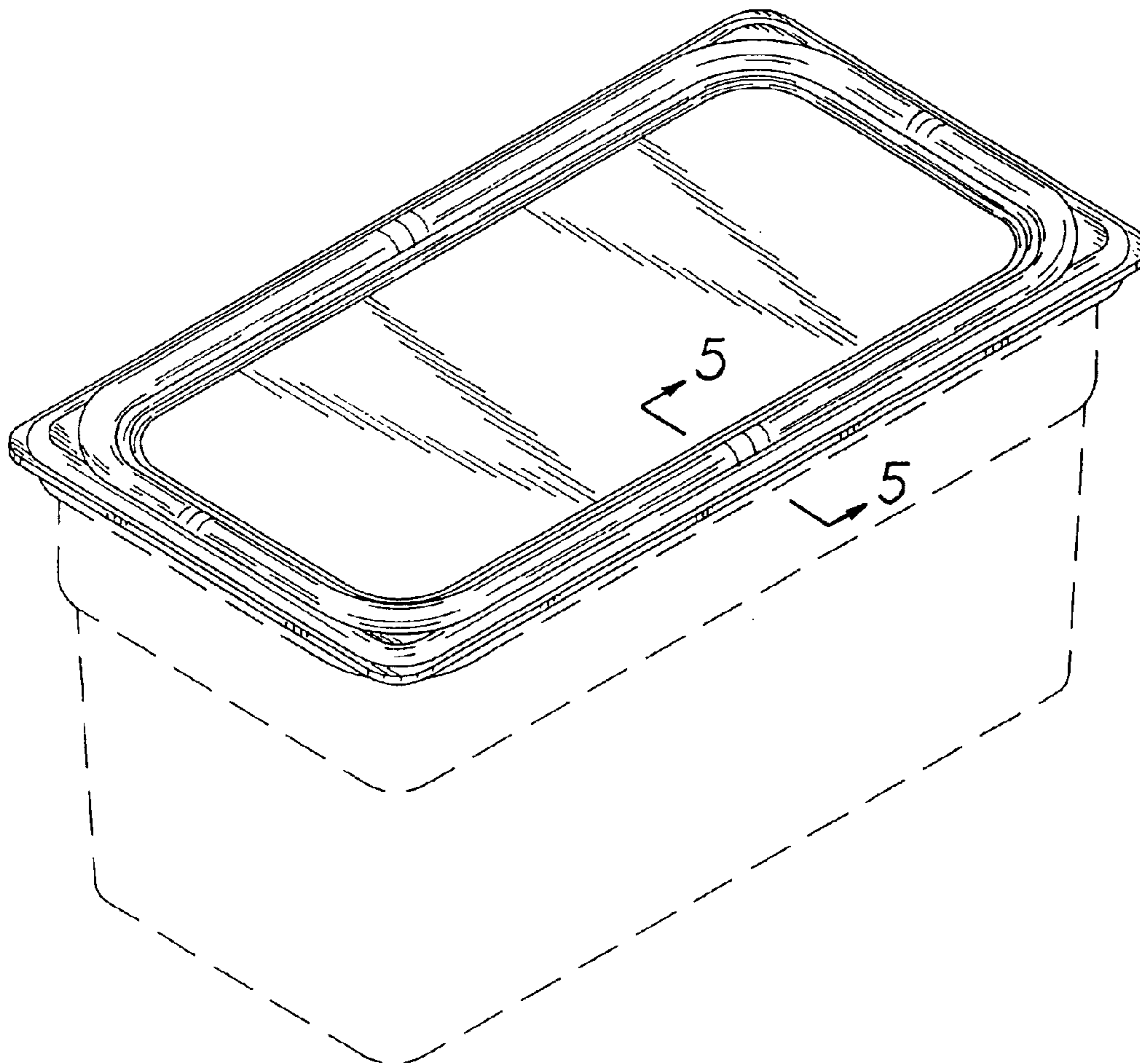
FIG. 1 is a top, front, left side perspective view of the elongated food container cover showing our new design, the broken lines of the food container are for illustrative purposes only and form no part of the claimed design; FIG. 2 is a right side elevation view thereof; FIG. 3 is a rear elevation view thereof; FIG. 4 is a bottom plan view thereof; and, FIG. 5 is a cross-section view taken along line 5—5 of FIG. 1.

(56) **References Cited**

U.S. PATENT DOCUMENTS

4,819,824 A * 4/1989 Longbottom et al. 220/783

1 Claim, 4 Drawing Sheets



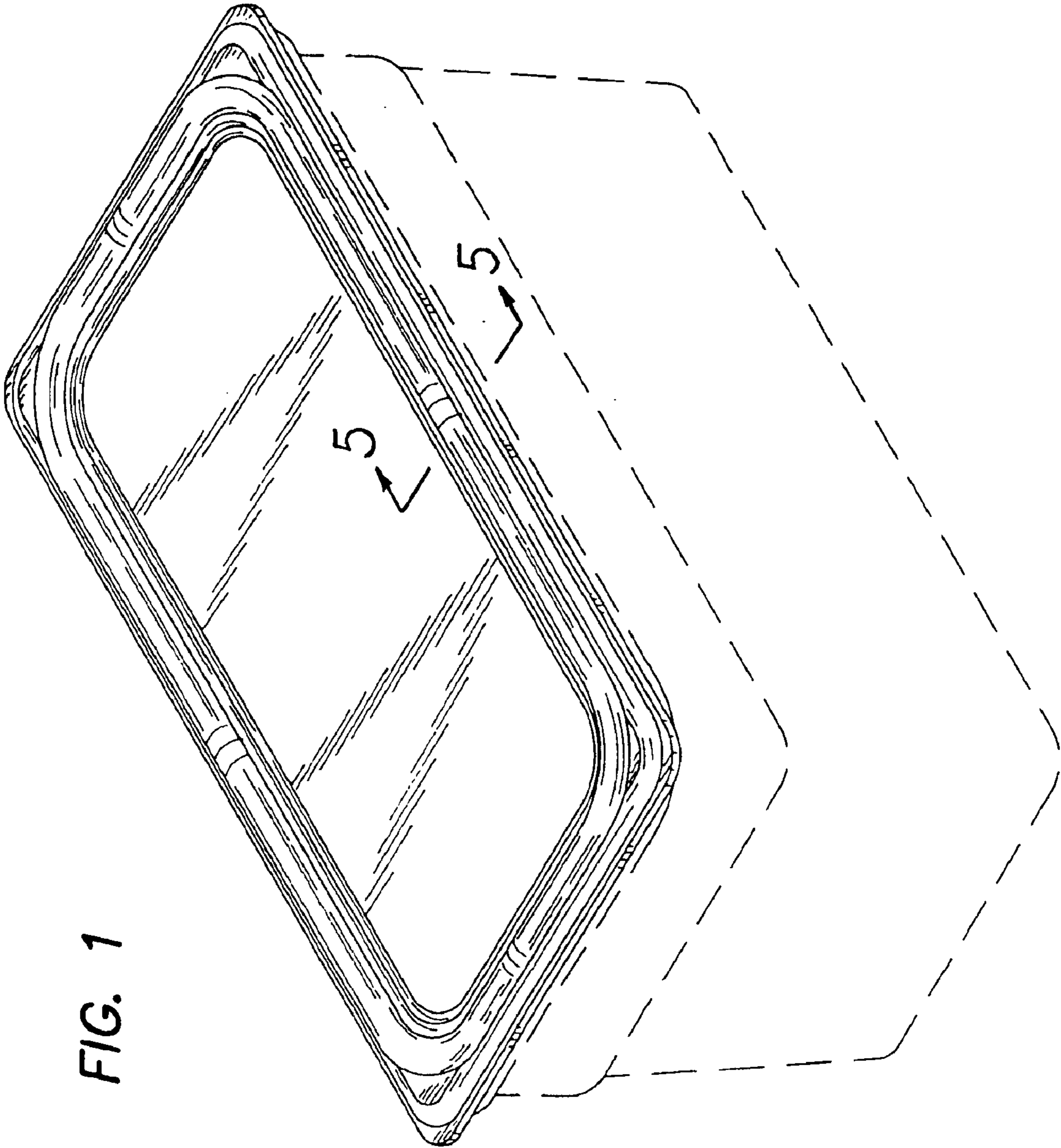


FIG. 1

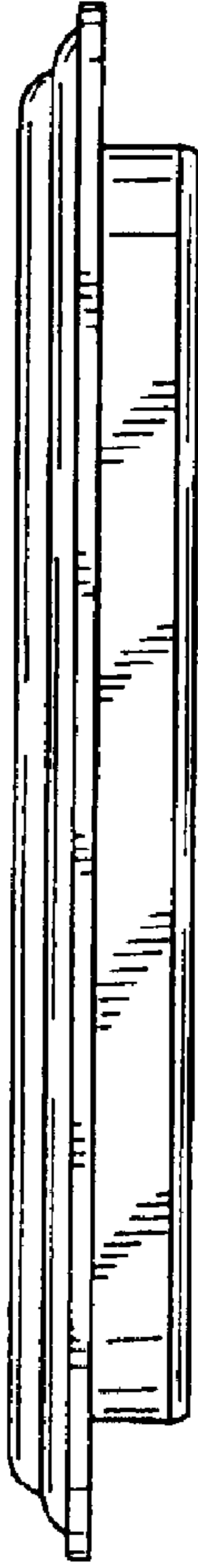


FIG. 2



FIG. 3

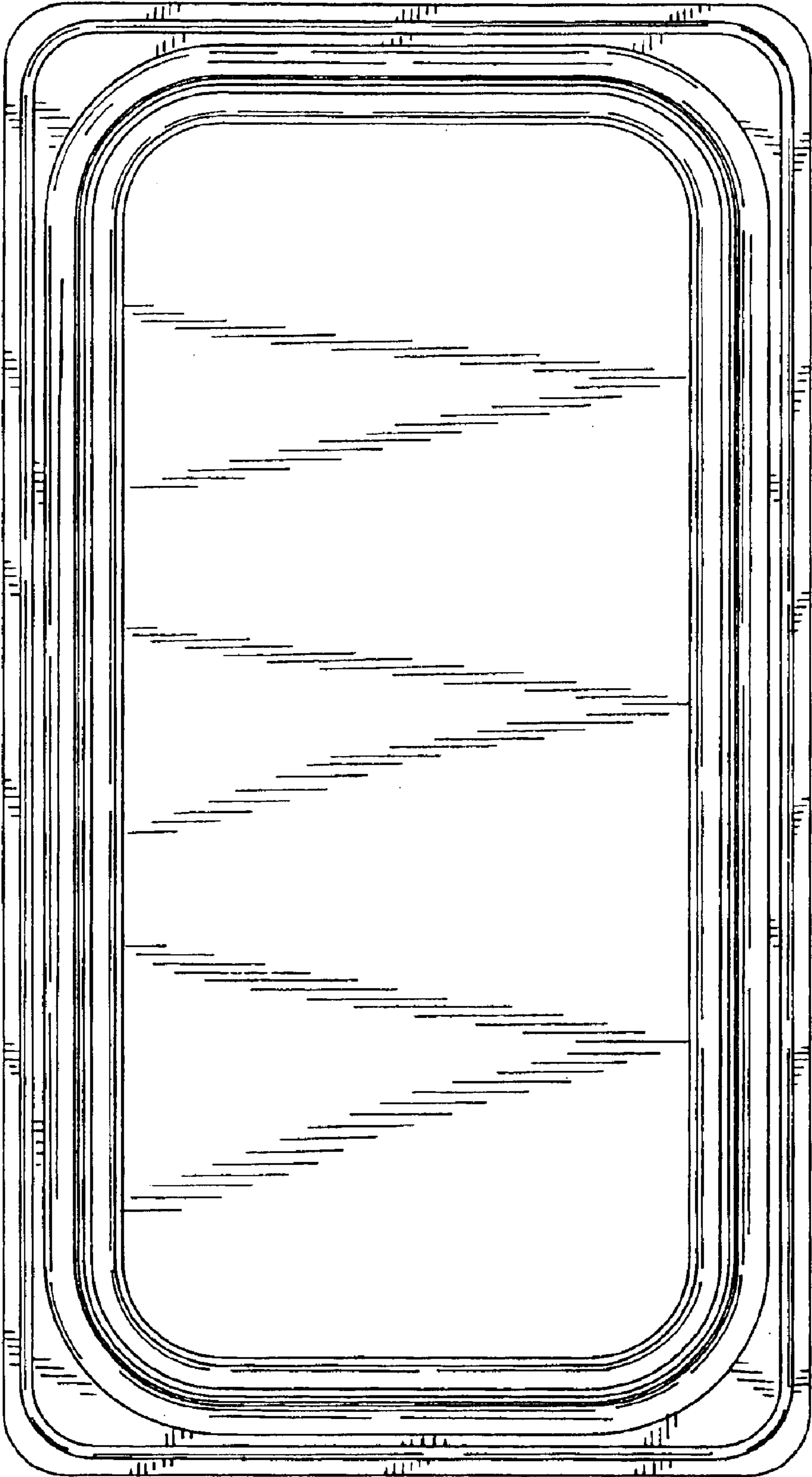


FIG. 4

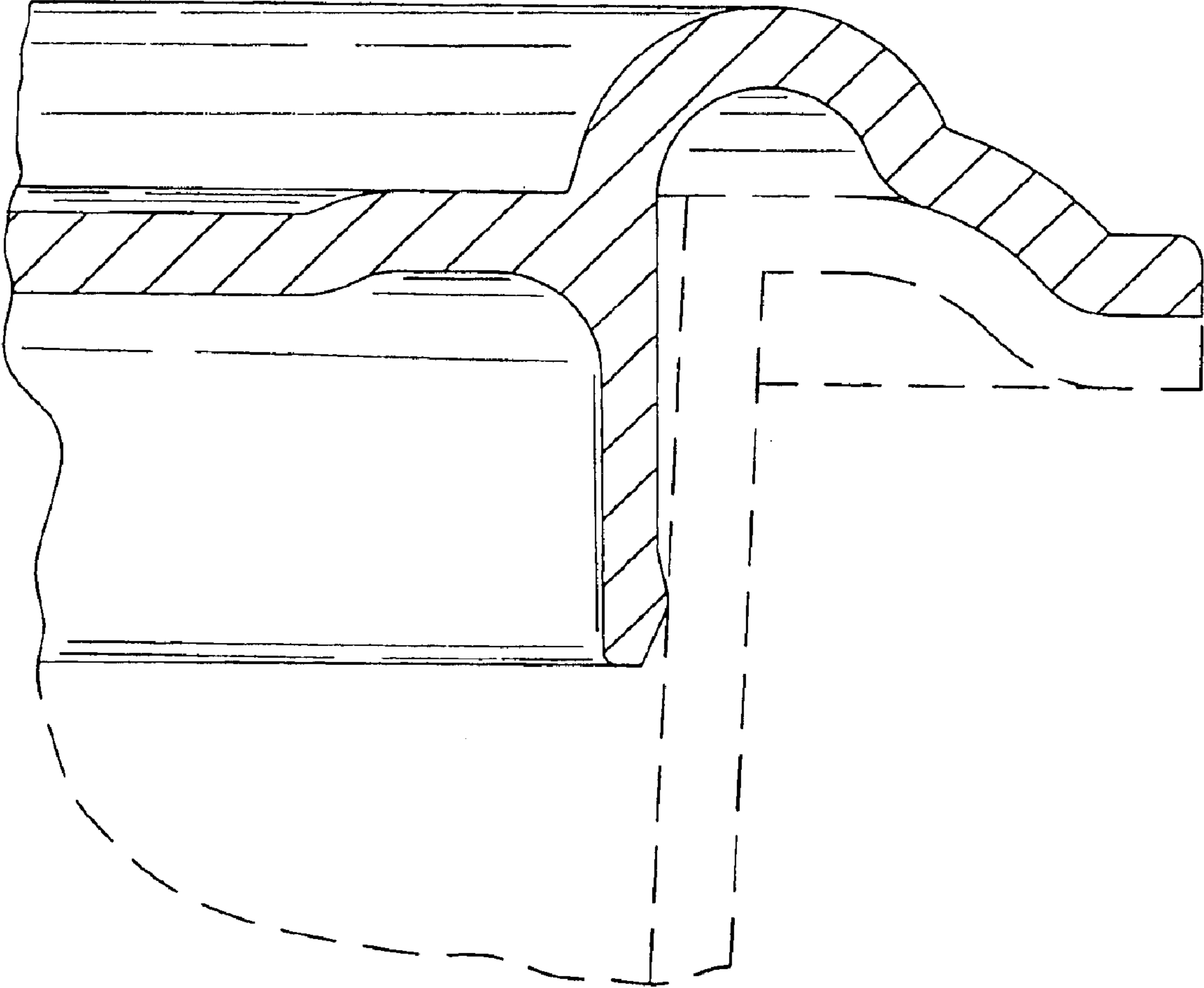


FIG. 5