



US00D502048S

(12) **United States Design Patent**
Lin

(10) **Patent No.:** **US D502,048 S**

(45) **Date of Patent:** **** Feb. 22, 2005**

(54) **FOOD PROCESSOR**

(76) **Inventor:** **Kuan-Chin Lin**, PMB#1008, 1867
Ygnacio Valley Rd., Walnut Creek, CA
(US) 94598

(**) **Term:** **14 Years**

(21) **Appl. No.:** **29/196,135**

(22) **Filed:** **Dec. 24, 2003**

(51) **LOC (7) Cl.** **31-00**

(52) **U.S. Cl.** **D7/384**

(58) **Field of Search** D7/376-386, 412,
D7/413, 300.1; 99/331, 337, 348, 492,
509-511; 215/222; 241/33-37.5, 101.01-101.2,
273.1-278.2, 282.1, 282.2; 366/129, 130,
142, 197-201, 205-207, 214, 241-251,
279-282

(56) **References Cited**

U.S. PATENT DOCUMENTS

D282,620 S * 2/1986 Cavalli D7/384

D293,873 S * 1/1988 Maass D7/384
D297,901 S * 10/1988 Barrault D7/384
6,412,404 B1 * 7/2002 Hsu 99/511
2003/0061944 A1 * 4/2003 Fouquet 99/511

* cited by examiner

Primary Examiner—Caron D. Veynar

(74) *Attorney, Agent, or Firm*—Leong C. Lei

(57) **CLAIM**

The ornamental design for a food processor, as shown and described.

DESCRIPTION

FIG. 1 is perspective view of a food processor showing my new design;

FIG. 2 is a front side elevation view thereof;

FIG. 3 is a rear side elevation view thereof;

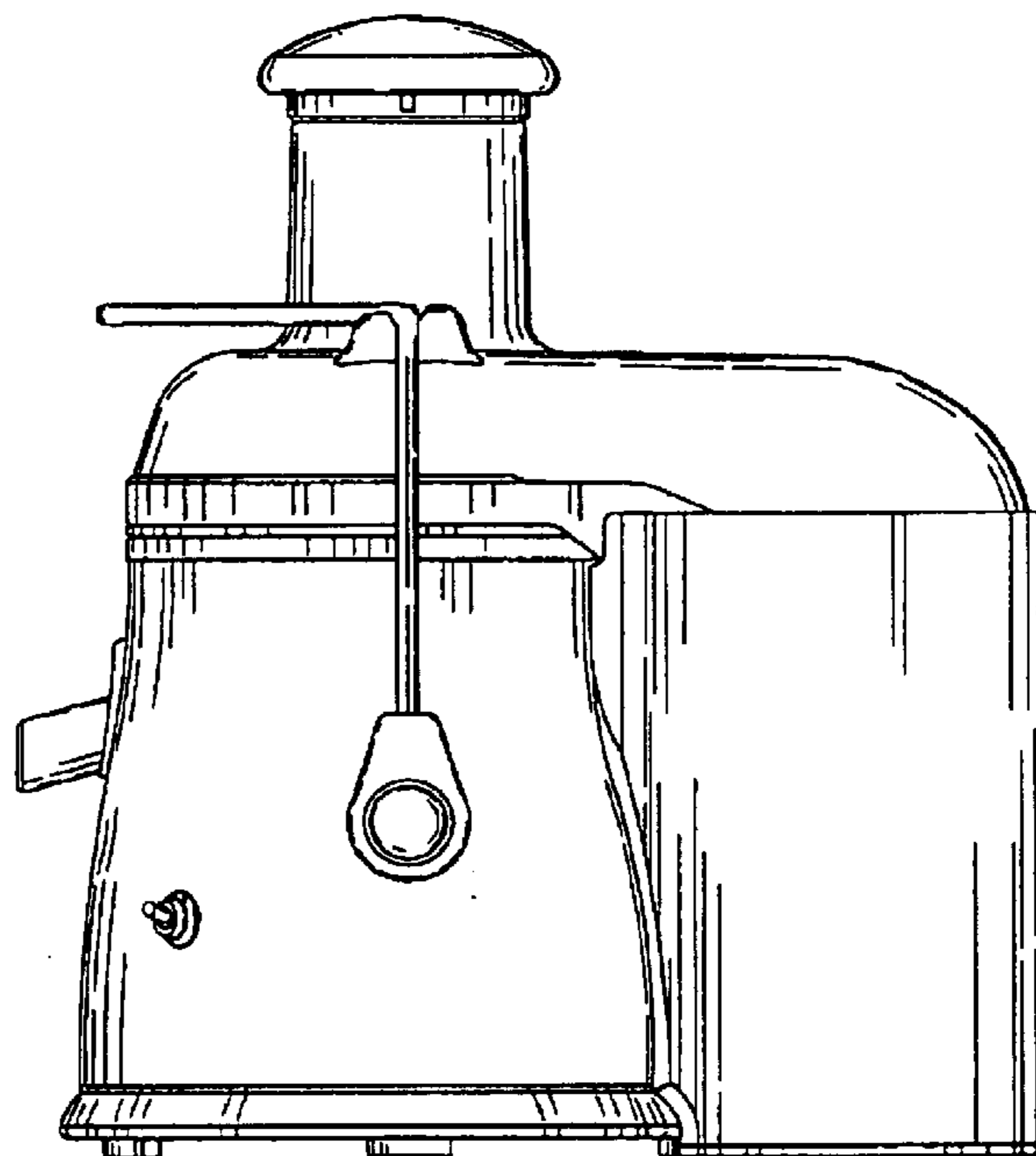
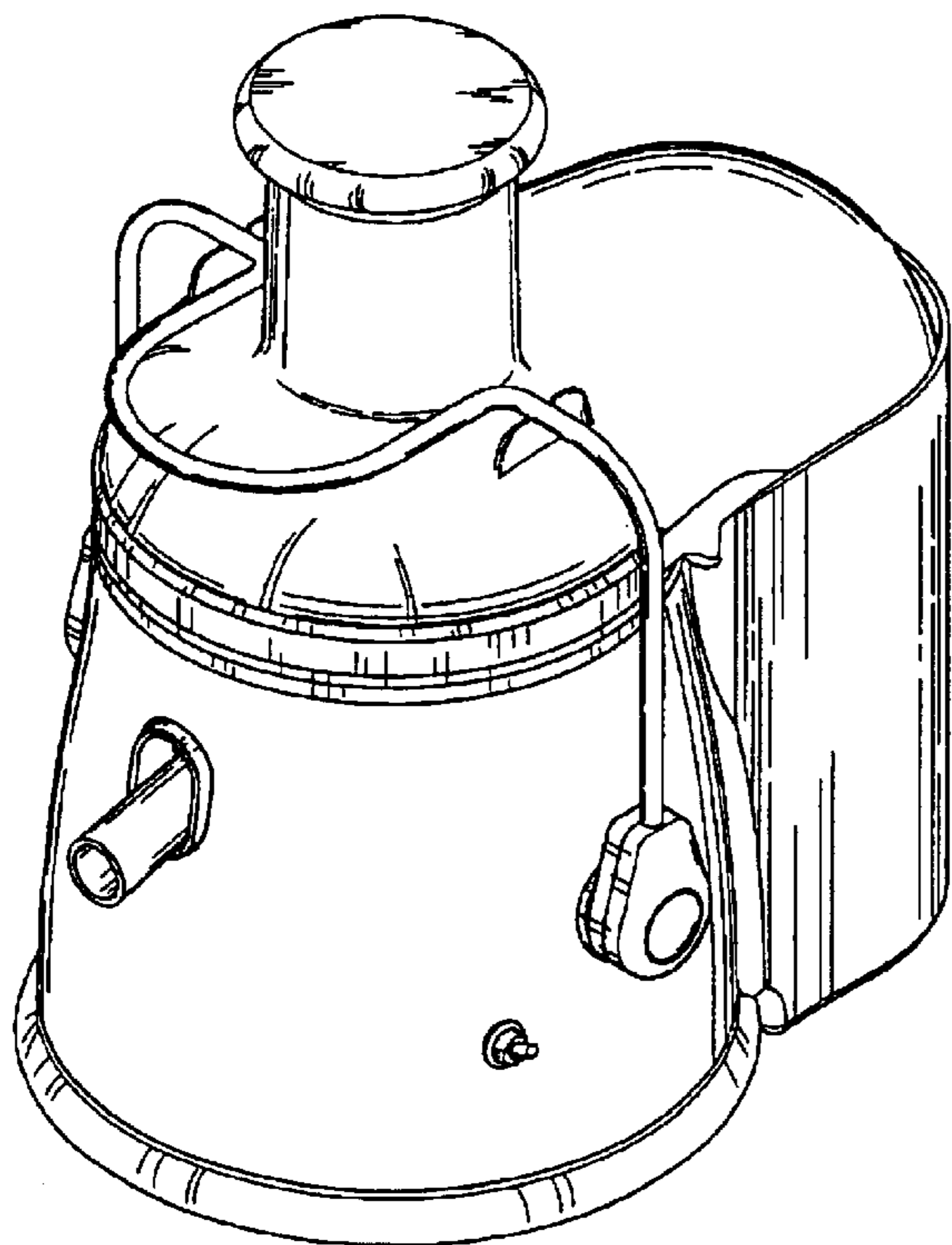
FIG. 4 is a left side elevation view thereof;

FIG. 5 is a right side elevation view thereof;

FIG. 6 is a top plan view thereof; and,

FIG. 7 is a bottom plan view thereof.

1 Claim, 4 Drawing Sheets



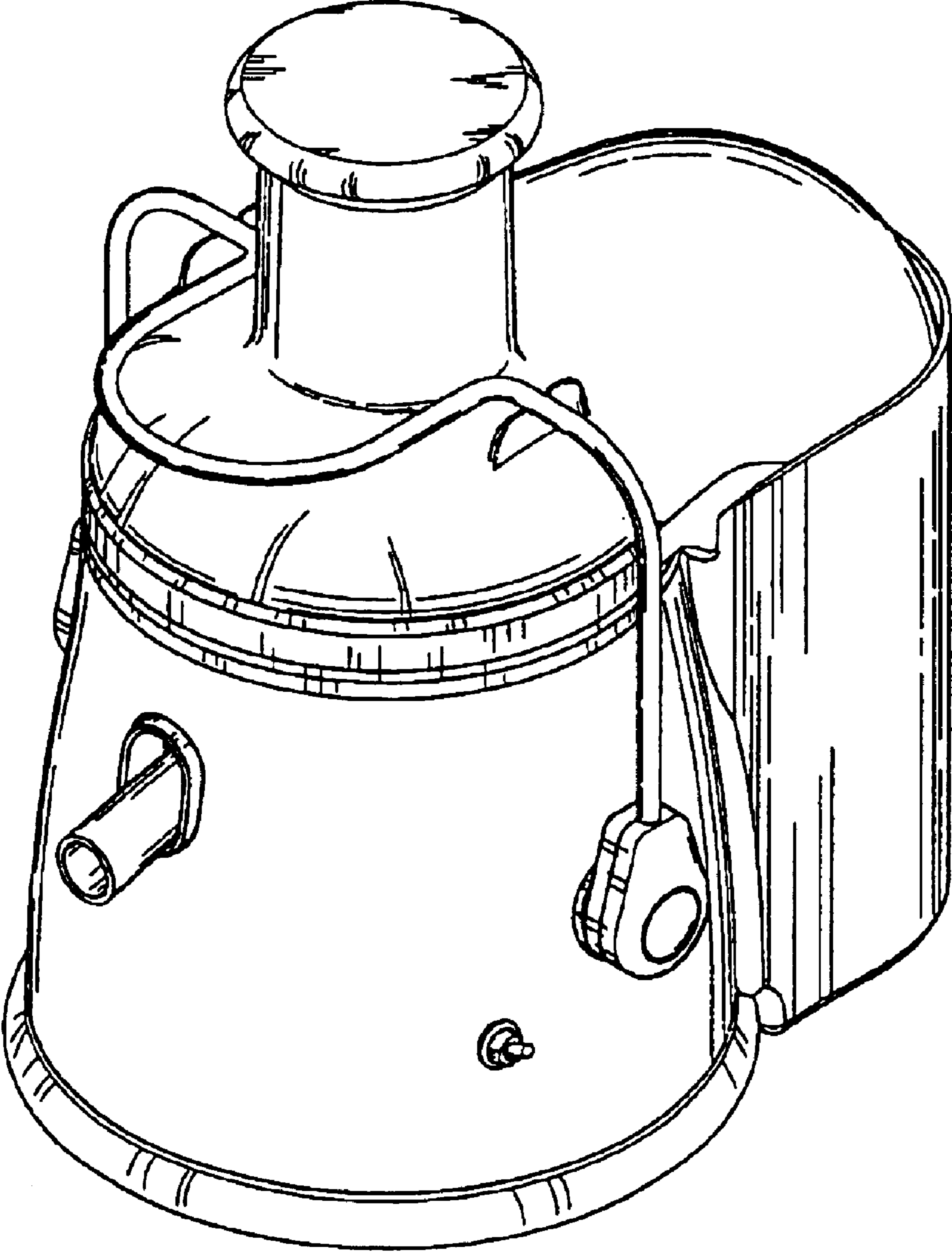


FIG.1

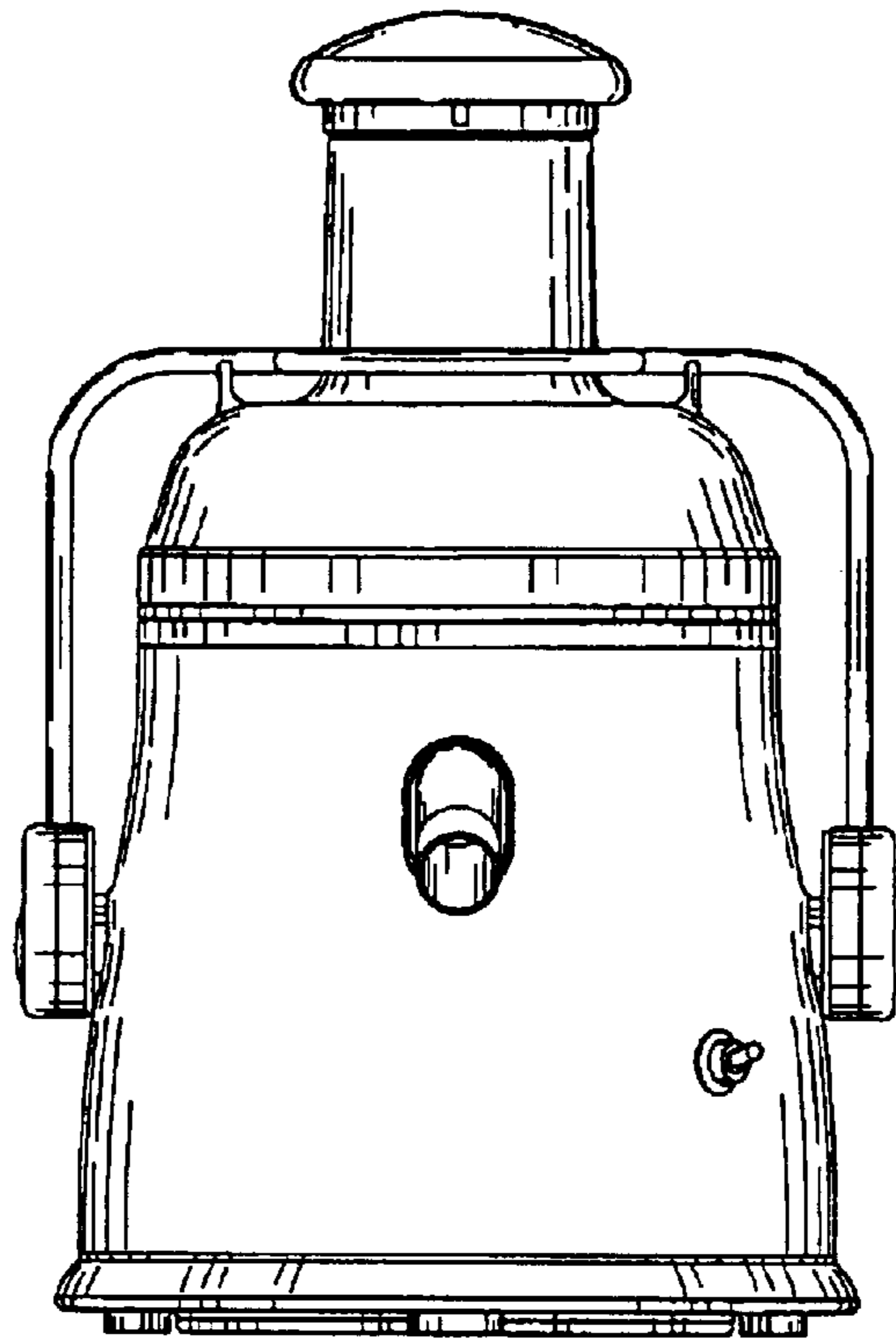


FIG.2

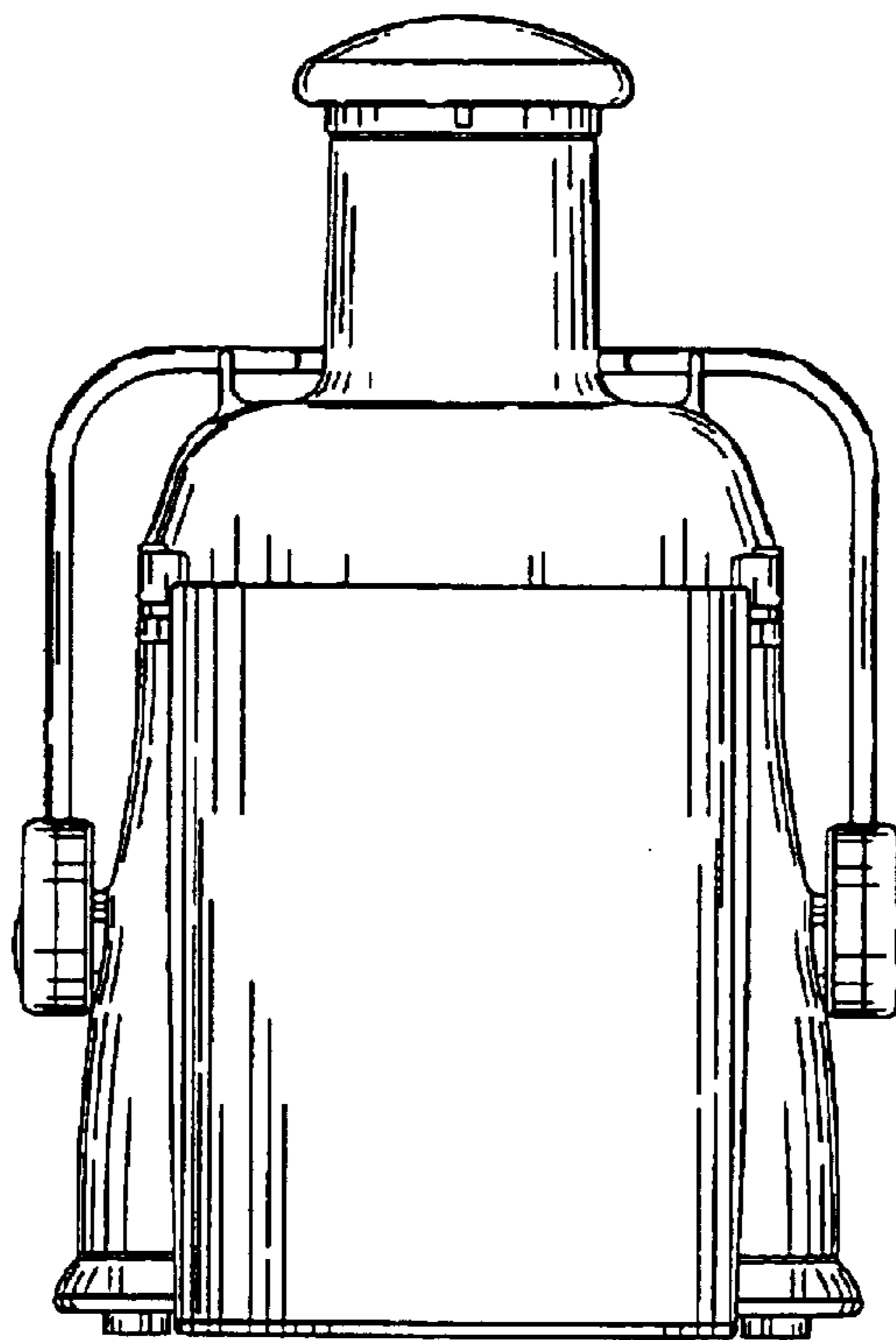


FIG.3

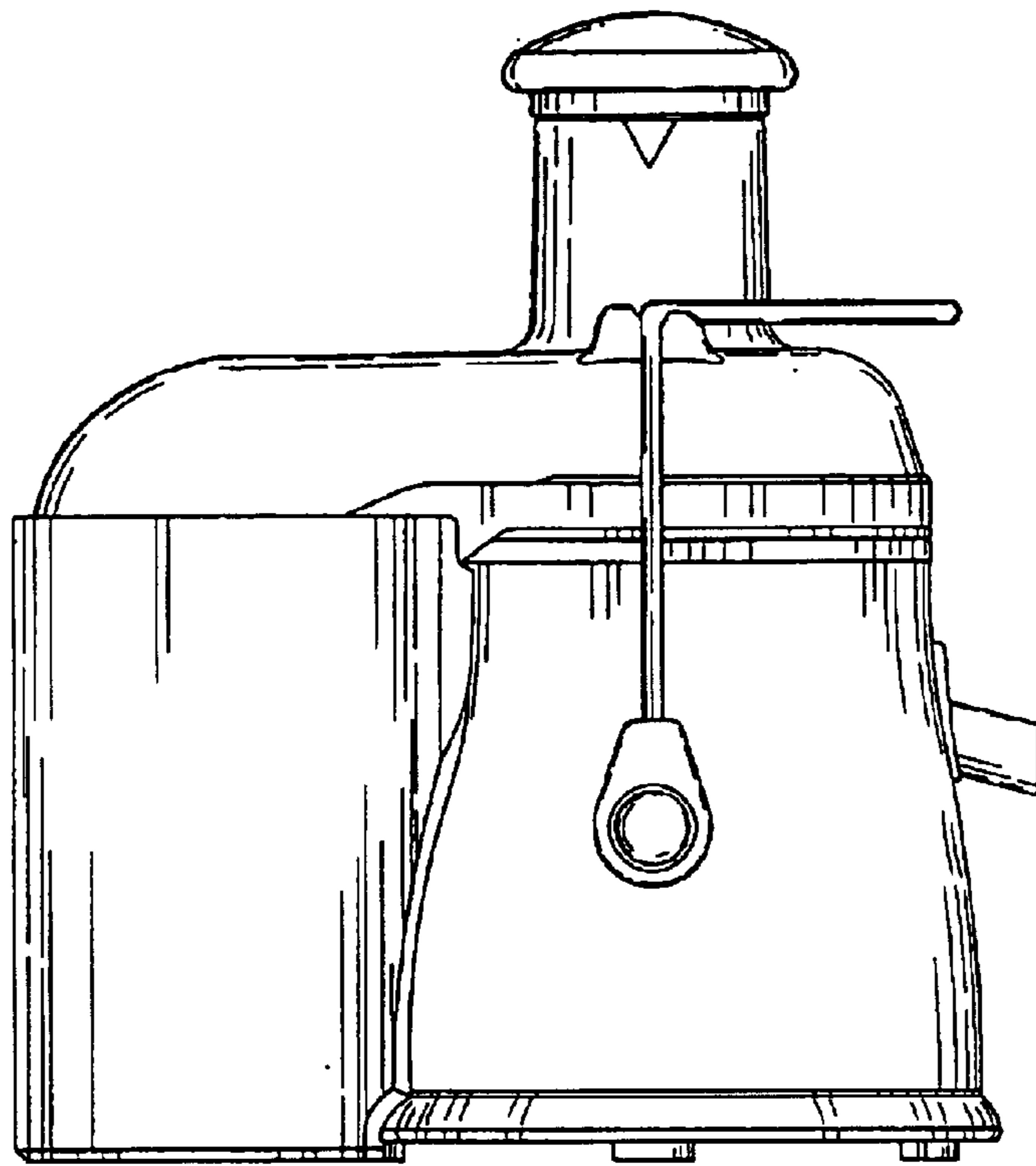


FIG. 4

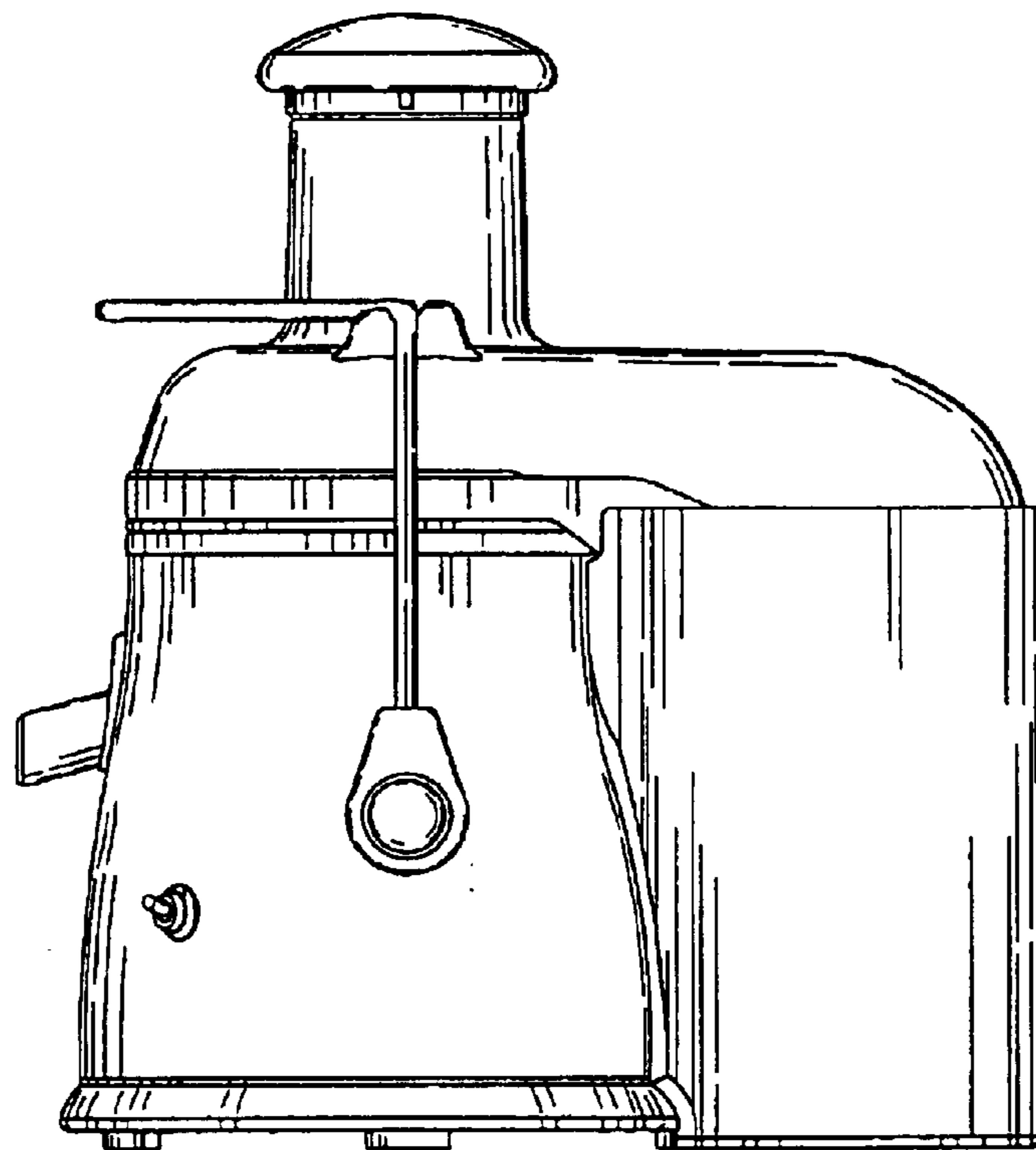


FIG. 5

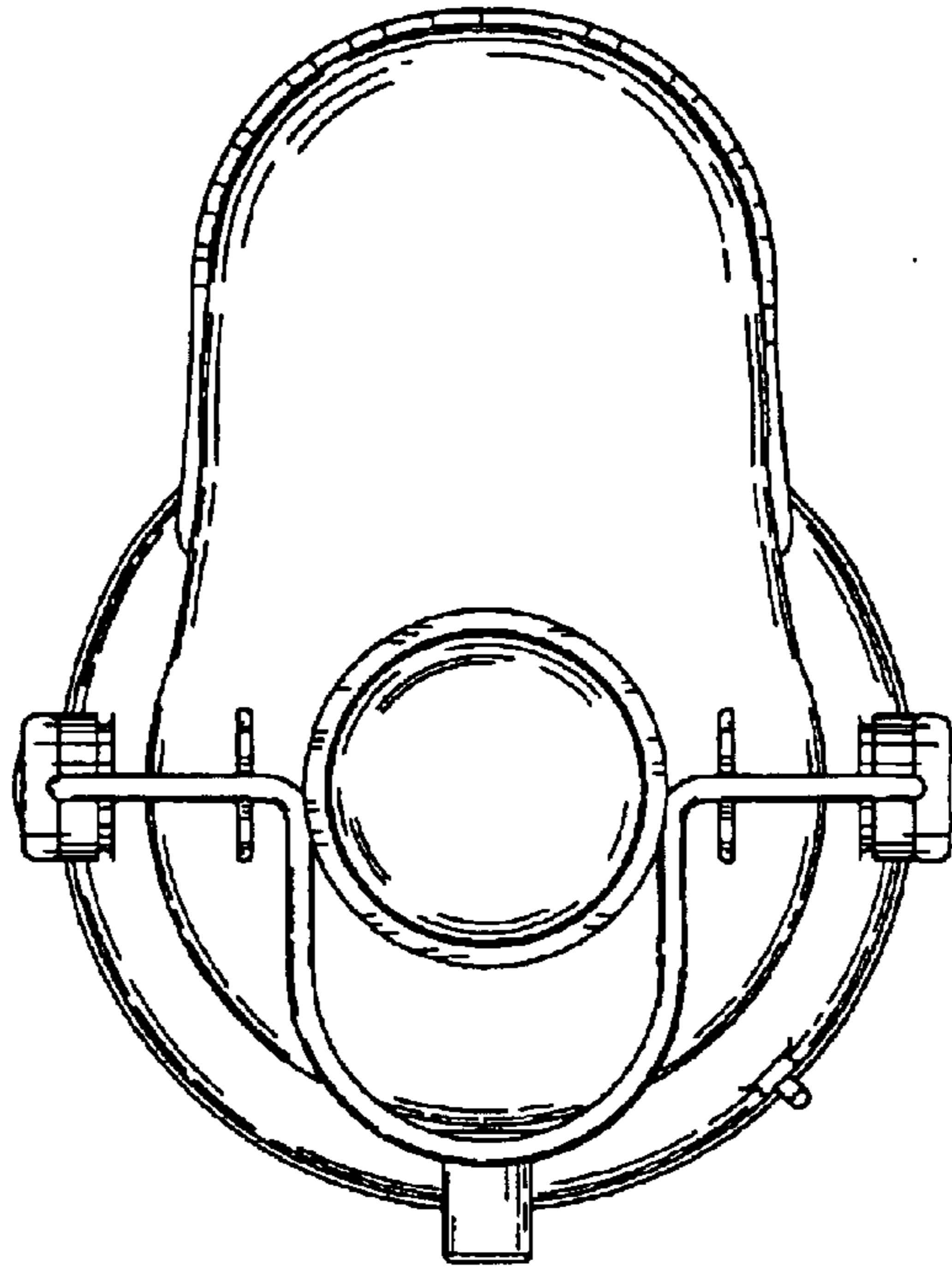


FIG. 6

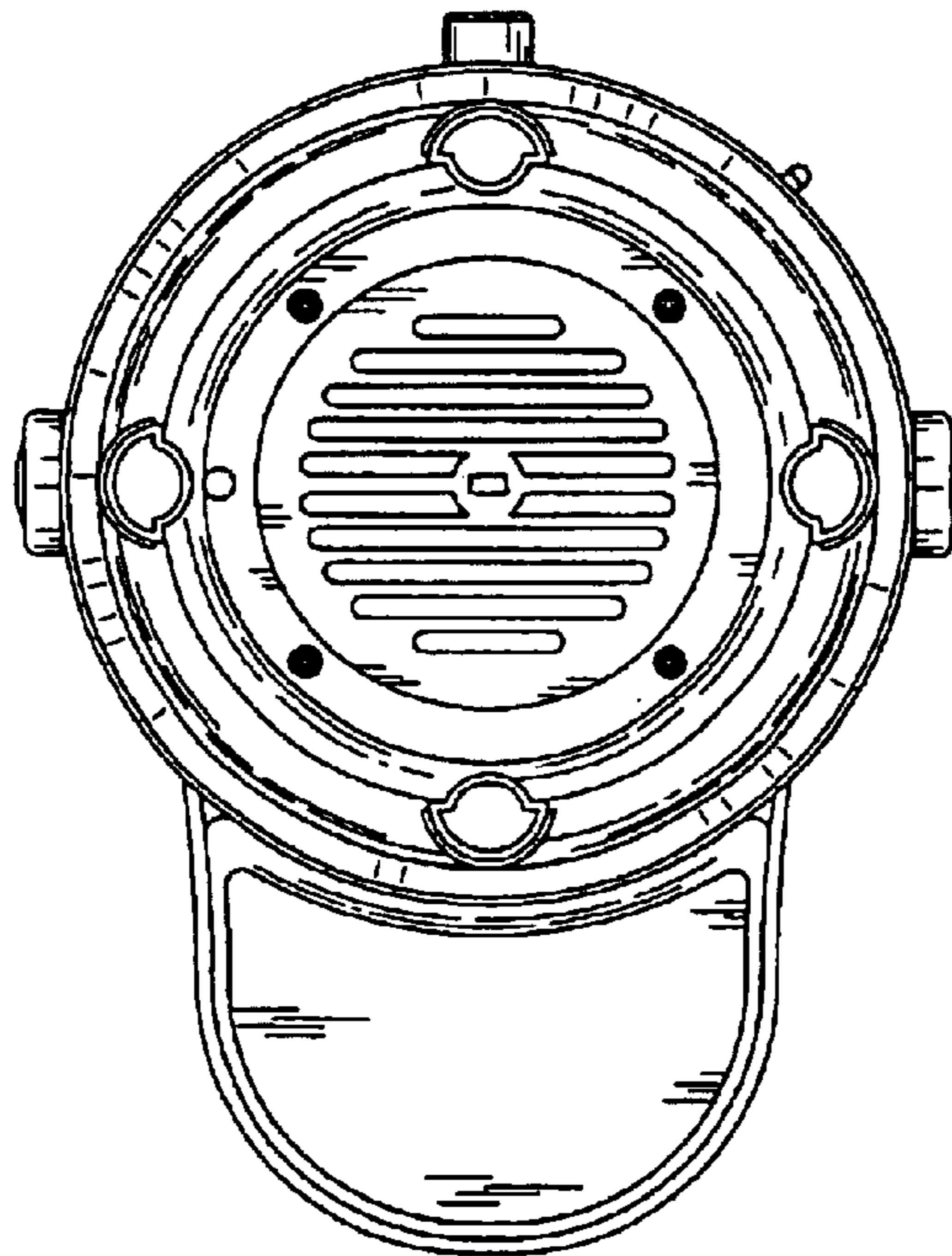


FIG. 7