

US00D502046S

(12) **United States Design Patent**
Isler et al.

(10) **Patent No.: US D502,046 S**
(45) **Date of Patent: ** Feb. 22, 2005**

(54) **BAKING CONTAINER**
(75) Inventors: **Letesa R. Isler**, Waukegan, IL (US);
Matthew A. McCurdy, Marysville, OH
(US); **David J. Bulcher**, Powell, OH
(US); **David C. Schiltz**, Columbus, OH
(US)
(73) Assignee: **Pactiv Corporation**, Lake Forest, IL
(US)

D275,636 S 9/1984 Picozza
D276,216 S 11/1984 Michaud D9/425
D280,589 S 9/1985 Bassett D7/360
D280,590 S 9/1985 Schrage D7/360
D280,591 S 9/1985 Schrage D7/360
D280,969 S * 10/1985 Schrage D7/354
D282,520 S 2/1986 Schrage D7/360
4,616,762 A 10/1986 Alexander 220/74
4,623,088 A 11/1986 Holden 229/2.5
D287,104 S 12/1986 Holden D9/425
D288,295 S 2/1987 Holden D9/425

(**) Term: **14 Years**

(List continued on next page.)

(21) Appl. No.: **29/179,807**

(22) Filed: **Apr. 15, 2003**

(51) **LOC (7) Cl. 07-02**

(52) **U.S. Cl. D7/354**

(58) **Field of Search** D7/232, 354-361,
D7/409, 601, 630, 640; D9/414, 424, 425,
499, 430-432; 99/DIG. 15; 206/503, 515,
518, 525, 527, 557, 564; 220/571, 912,
573.1-574, 660, 669, 670, 675; 229/406,
407, 902, 903, 906, 915, 919, 125.26

(56) **References Cited**

U.S. PATENT DOCUMENTS

1,926,240 A 9/1933 Maas 63/1
2,170,040 A 8/1939 Stuart 53/6
3,082,900 A 3/1963 Goodman 220/15
D197,584 S 2/1964 Neucher
3,154,215 A 10/1964 Vesconte 220/97
3,191,796 A 6/1965 Schwartz et al. 220/23.6
3,229,886 A 1/1966 Grogel 229/3.5
3,233,812 A 2/1966 Kennedy 229/2.5
3,253,762 A 5/1966 Gaunt 229/2.5
D209,605 S 12/1967 Zoeller
D226,775 S 4/1973 Jones
3,811,560 A 5/1974 Schilling et al. 206/4
3,840,115 A 10/1974 Ladewig 206/506
D235,302 S 6/1975 Lanigan
D250,929 S 1/1979 Gerstman et al.
4,183,435 A 1/1980 Thompson et al. 206/557
4,234,097 A 11/1980 Daenen 220/4
4,294,371 A 10/1981 Davis 220/4

OTHER PUBLICATIONS

U.S. Appl. No. 29/179,801, filed Apr. 15, 2003, Baking
Container.
U.S. Appl. No. 29/179,792, filed Apr. 15, 2003, Baking
Container.
U.S. Appl. No. 29/179,790, filed Apr. 15, 2003, Baking
Container.
U.S. Appl. No. 29/179,802, filed Apr. 15, 2003, Baking
Container.
U.S. Appl. No. 29/179,799, filed Apr. 15, 2003, Baking
Container.
Ekcotherm Specification; 2 pages.

Primary Examiner—Caron D. Veynar

(74) *Attorney, Agent, or Firm*—Winston & Strawn LLP

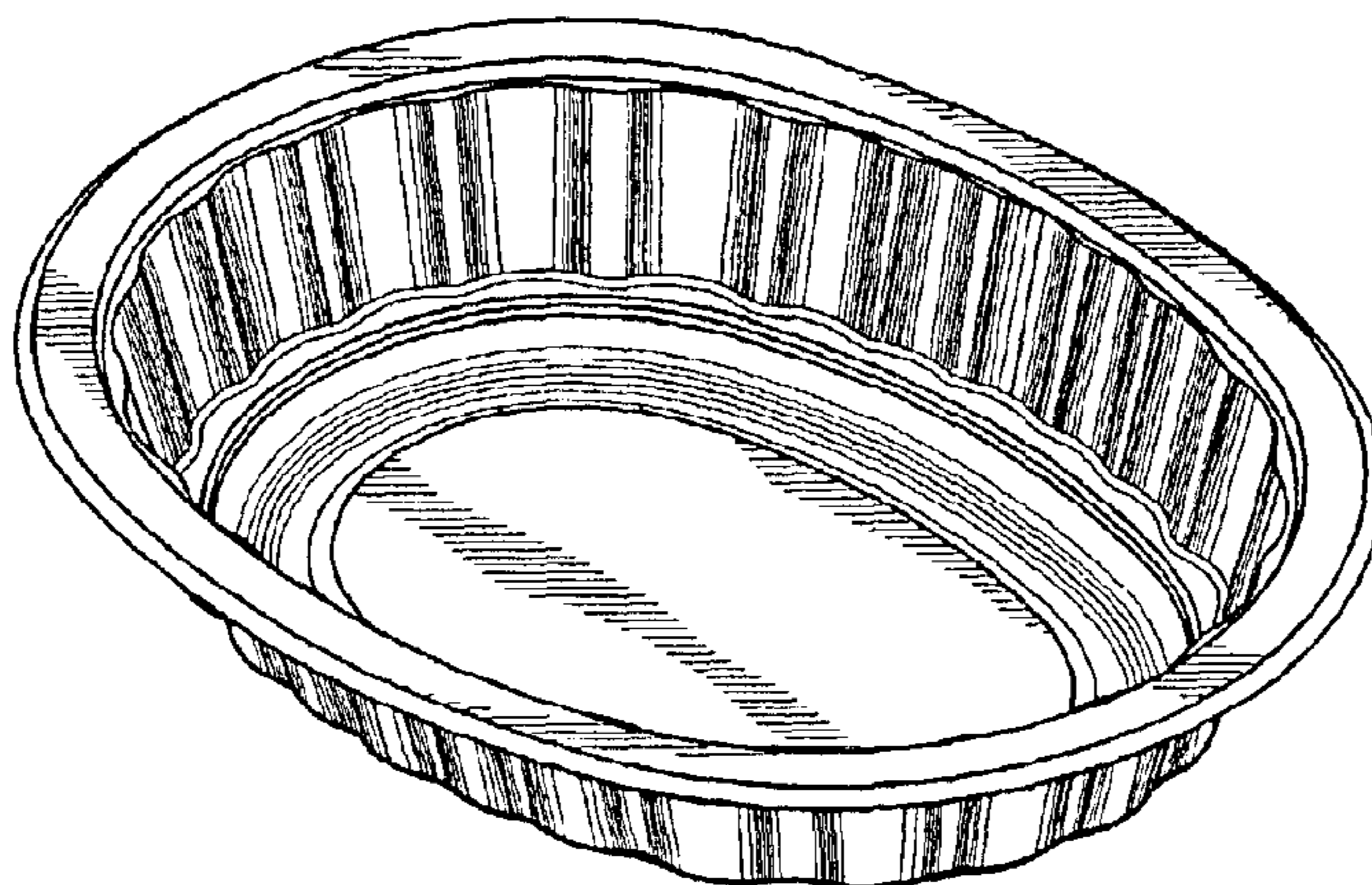
(57) **CLAIM**

The ornamental design for a baking container, as shown and
described.

DESCRIPTION

FIG. 1 is a perspective view of a baking container.
FIG. 2 is a top plan view of the baking container of FIG. 1.
FIG. 3 is a bottom plan view of the baking container of FIG.
1.
FIG. 4 is a side elevational view of the baking container of
FIG. 1, the opposite side being identical thereto; and,
FIG. 5 is an end elevational view of the baking container of
FIG. 1, the opposite end being identical thereto.

1 Claim, 1 Drawing Sheet



US D502,046 S

Page 2

U.S. PATENT DOCUMENTS

D291,398 S	*	8/1987	Schmidt	D7/354
4,742,934 A		5/1988	Machaud et al.	220/306
D296,191 S		6/1988	Yoshida et al.	D9/425
4,753,351 A		6/1988	Guillin	206/520
D307,395 S		4/1990	Borst	D9/428
5,050,791 A		9/1991	Bowden et al.	229/2.5
D333,944 S		3/1993	Denzin et al.	D7/554
5,204,179 A		4/1993	Baker et al.	428/336
D348,608 S		7/1994	Wyslotsky	D9/425
5,423,453 A		6/1995	Fritz	220/608
5,515,993 A		5/1996	McManus	220/339
D375,652 S		11/1996	Hayes	D7/354
D382,796 S		8/1997	Mangla	D9/429
D386,081 S		11/1997	Hayes et al.	D9/425
D392,881 S		3/1998	Bulcher et al.	D9/425
D392,884 S		3/1998	Hayes	D9/431
D404,257 S		1/1999	Indekey	D7/585
D404,258 S		1/1999	Indekey	D7/585
D404,614 S		1/1999	Indekey	D7/588
D429,961 S		8/2000	Harris	D7/540
6,149,053 A		11/2000	Chatterton et al.	229/407
D461,123 S		8/2002	Hayes et al.	D9/429

* cited by examiner

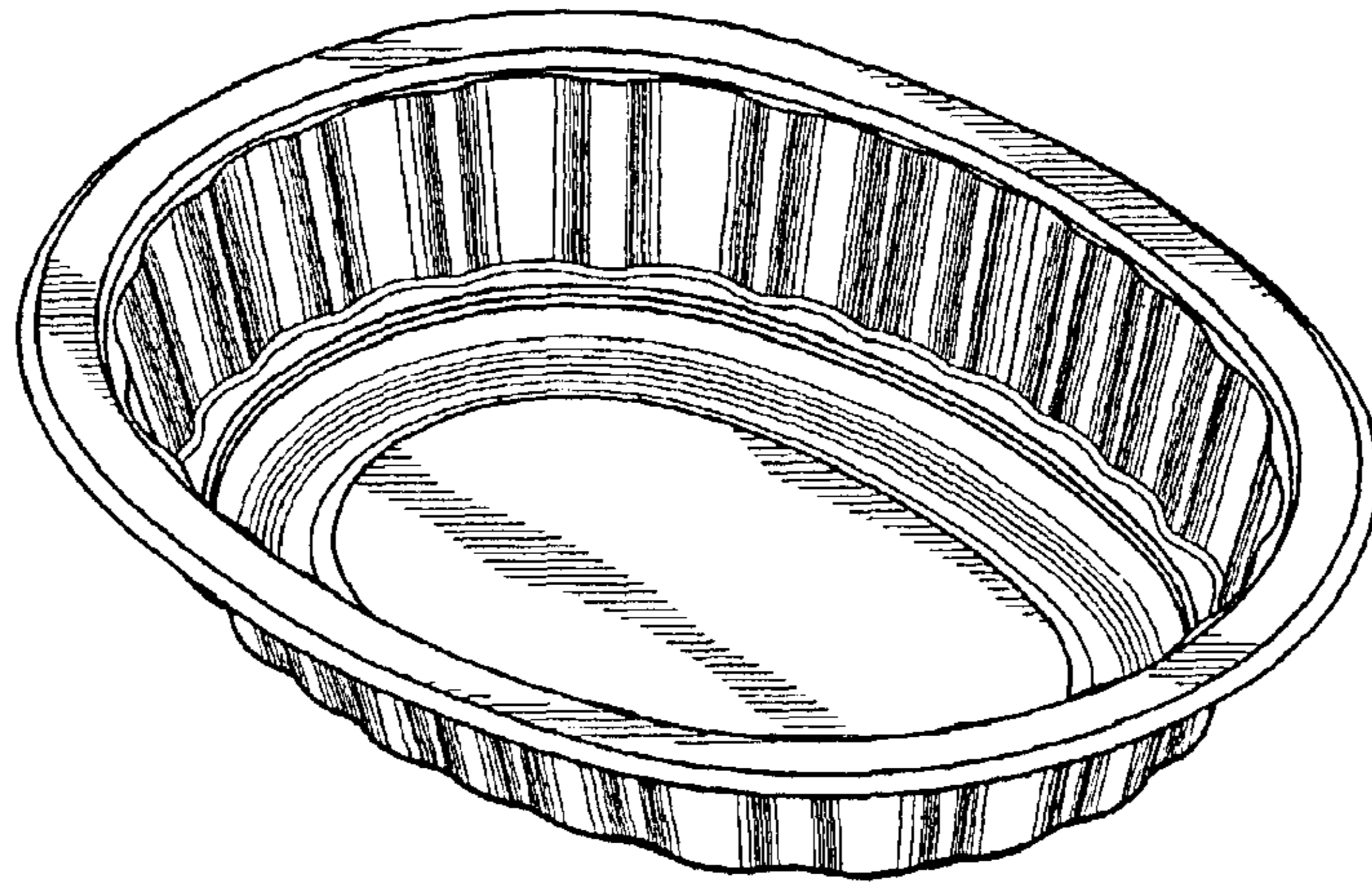


Fig. 1

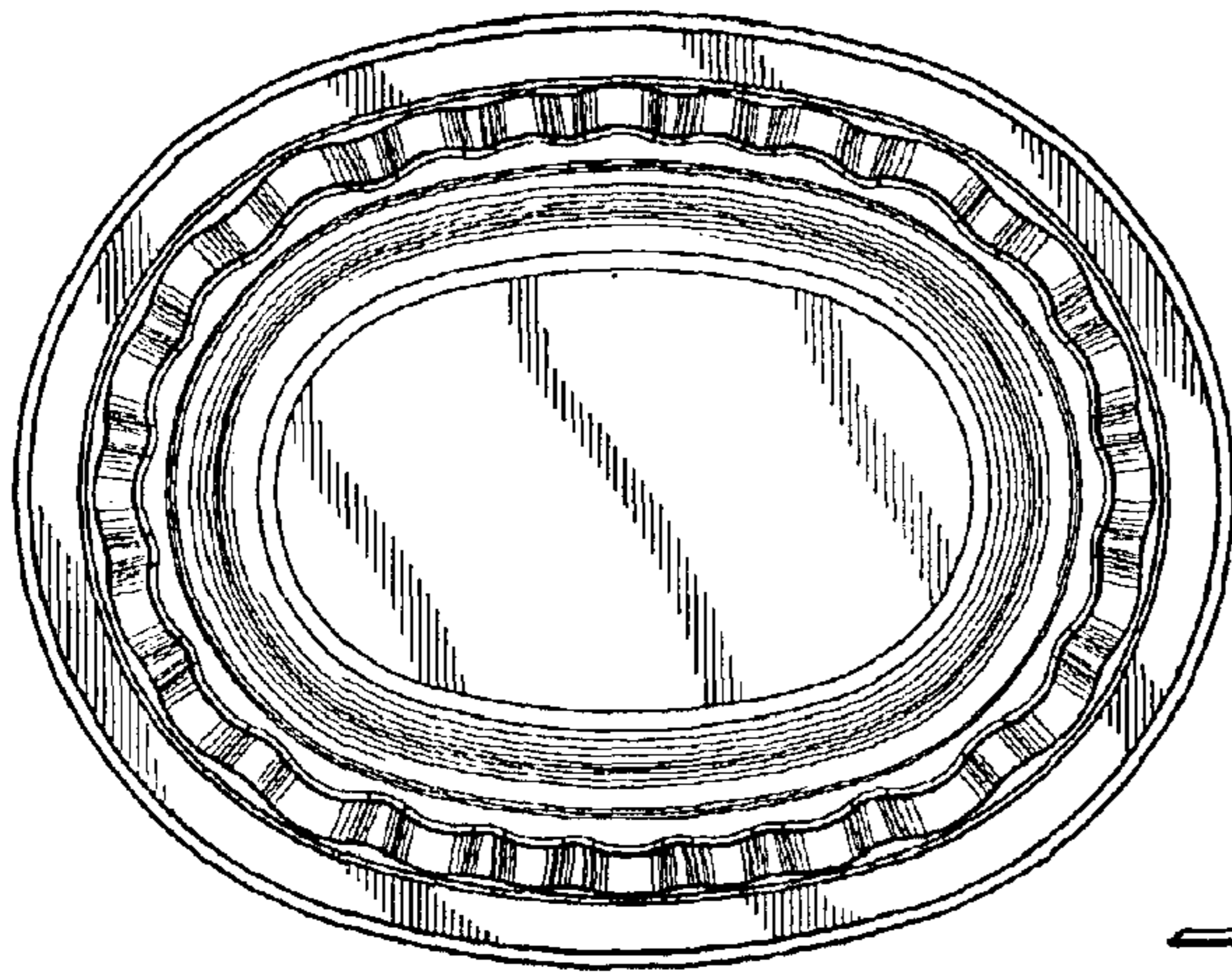


Fig. 2



Fig. 4

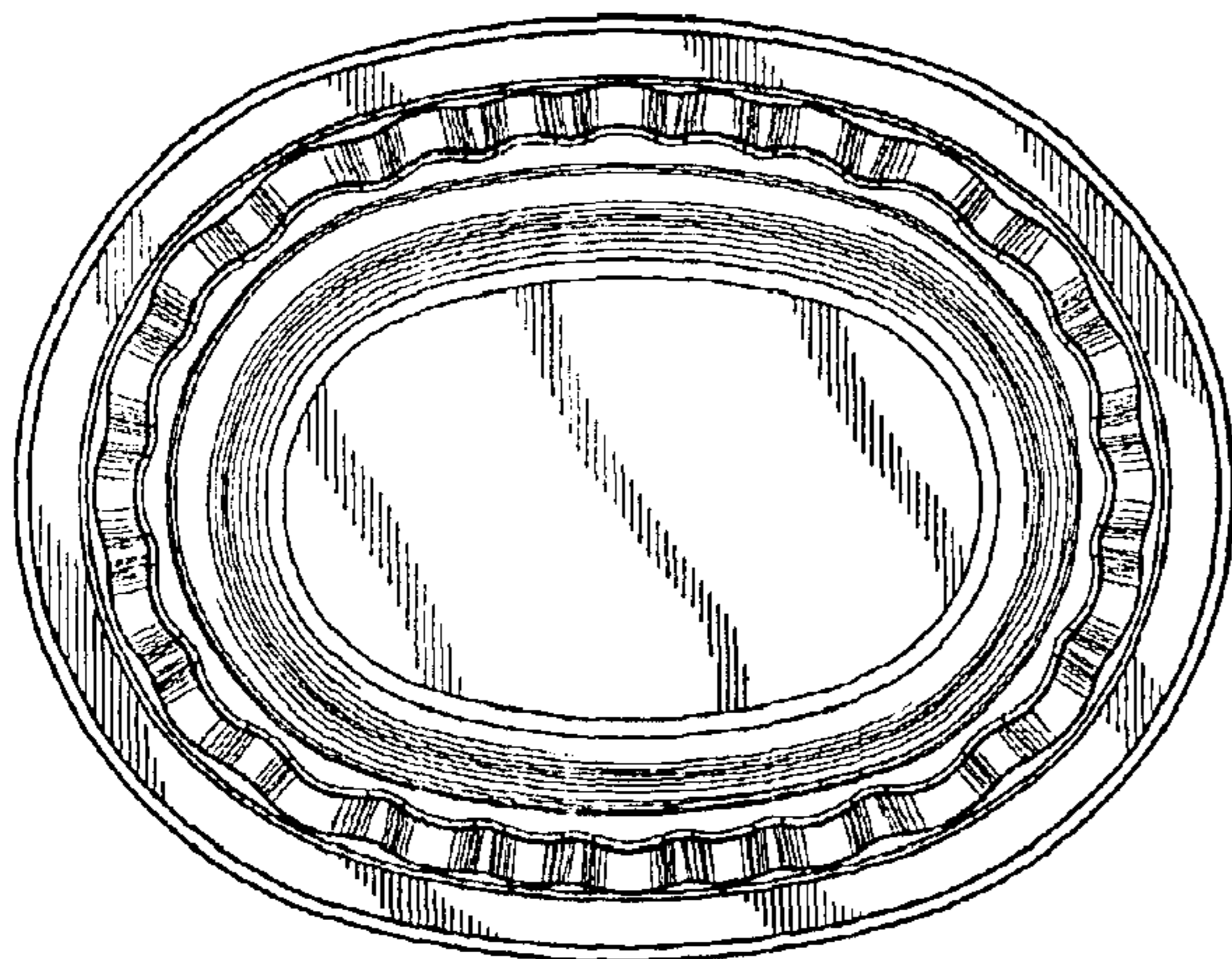


Fig. 3



Fig. 5