



US00D502045S

(12) **United States Design Patent** (10) **Patent No.:** **US D502,045 S**
Isler et al. (45) **Date of Patent:** **** Feb. 22, 2005**

(54) **BAKING CONTAINER**
 (75) Inventors: **Letesa R. Isler**, Waukegan, IL (US);
Matthew A. McCurdy, Marysville, OH
 (US); **David J. Bulcher**, Powell, OH
 (US); **David C. Schiltz**, Columbus, OH
 (US)

D250,929 S 1/1979 Gerstman et al.
 4,183,435 A 1/1980 Thompson et al. 206/557
 4,234,097 A 11/1980 Daenen 220/4
 4,294,371 A 10/1981 Davis 220/4
 D275,636 S 9/1984 Picozza
 D276,216 S 11/1984 Michaud D9/425
 D280,589 S 9/1985 Bassett D7/360
 D280,590 S 9/1985 Schrage D7/360
 D280,591 S 9/1985 Schrage D7/360

(73) Assignee: **Pactiv Corporation**, Lake Forest, IL
 (US)

(List continued on next page.)

(**) Term: **14 Years**

OTHER PUBLICATIONS

(21) Appl. No.: **29/179,790**

U.S. Appl. No. 29/179,801, filed Apr. 15, 2003, Baking
 Container.

(22) Filed: **Apr. 15, 2003**

U.S. Appl. No. 29/179,792, filed Apr. 15, 2003, Baking
 Container.

(51) **LOC (7) Cl.** **07-02**

U.S. Appl. No. 29/179,807, filed Apr. 15, 2003, Baking
 Container.

(52) **U.S. Cl.** **D7/354**

U.S. Appl. No. 29/179,802, filed Apr. 15, 2003, Baking
 Container.

(58) **Field of Search** D7/232, 354-361,
 D7/409, 601, 630, 640; D9/414, 424, 425,
 499, 430-432; 99/DIG. 15; 206/503, 515,
 518, 525, 527, 557, 564; 220/571, 912,
 573.1-574, 660, 669, 670, 675; 229/406,
 407, 902, 903, 906, 915, 919, 125.26

U.S. Appl. No. 29/179,799, filed Apr. 15, 2003, Baking
 Container.

Ekcotherm Specification; 2 pages.

(56) **References Cited**

Primary Examiner—Caron D. Veynar

(74) *Attorney, Agent, or Firm*—Winston & Strawn LLP

U.S. PATENT DOCUMENTS

(57) **CLAIM**

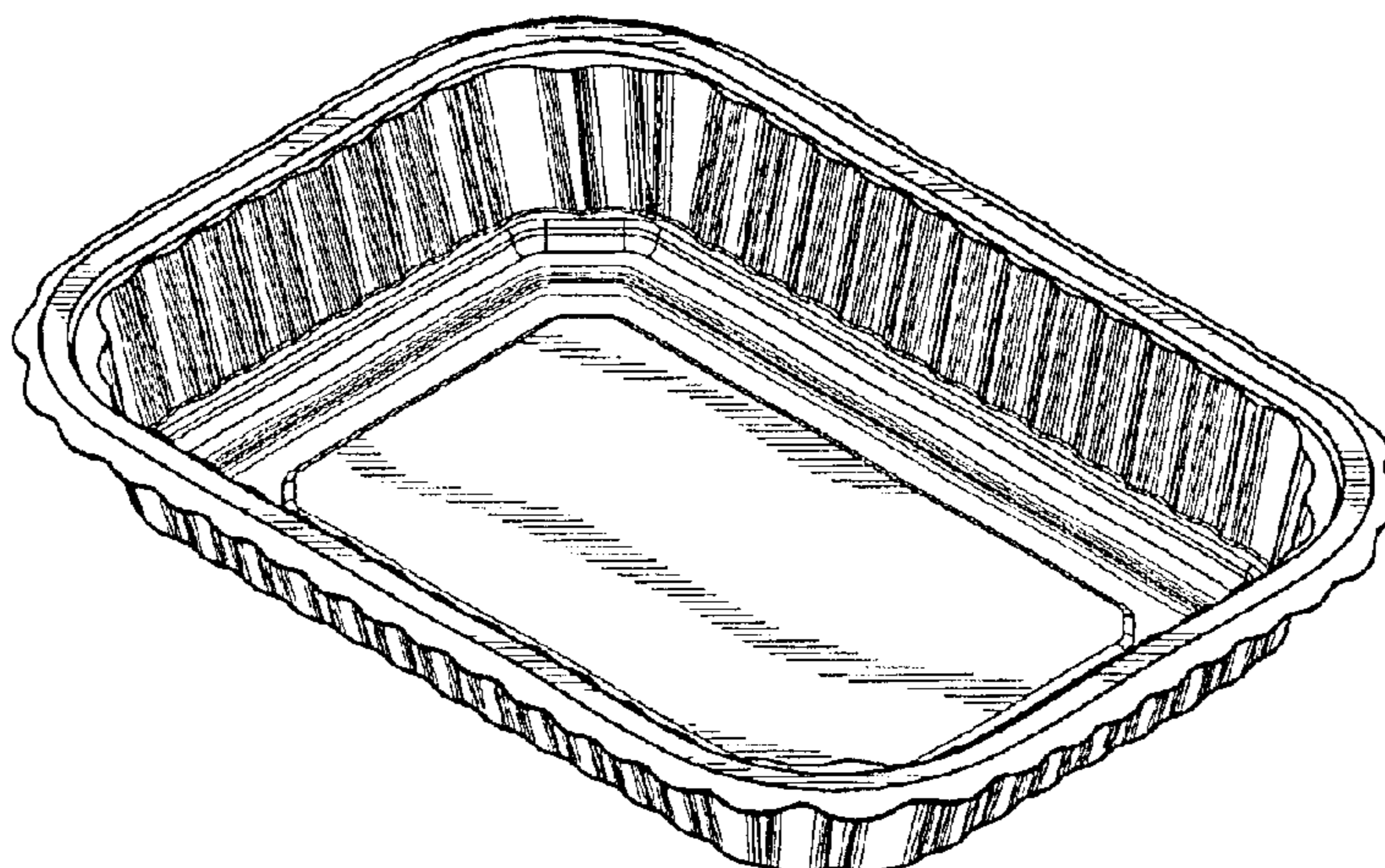
192,955 A * 7/1877 Van Skelline 220/574
 1,926,240 A 9/1933 Maas 63/1
 2,170,040 A 8/1939 Stuart 53/6
 3,082,900 A 3/1963 Goodman 220/15
 D197,584 S 2/1964 Neucher
 3,153,505 A * 10/1964 Bessett 229/125.26
 3,154,215 A 10/1964 Vesconte 220/97
 3,191,796 A 6/1965 Schwartz et al. 220/23.6
 3,229,886 A 1/1966 Grogel 229/3.5
 3,233,812 A 2/1966 Kennedy 229/2.5
 3,253,762 A 5/1966 Gaunt 229/2.5
 D209,605 S 12/1967 Zoeller
 D226,775 S 4/1973 Jones
 3,811,560 A 5/1974 Schilling et al. 206/4
 3,840,115 A 10/1974 Ladewig 206/506
 D235,302 S 6/1975 Lanigan

The ornamental design for a baking container, as shown and
 described.

DESCRIPTION

FIG. 1 is a perspective view of a baking container.
 FIG. 2 is a top plan view of the baking container of FIG. 1.
 FIG. 3 is a bottom plan view of the baking container of FIG.
 1.
 FIG. 4 is a side elevational view of the baking container of
 FIG. 1, the opposite side being identical thereto; and,
 FIG. 5 is an end elevational view of the baking container of
 FIG. 1, the opposite end being identical thereto.

1 Claim, 1 Drawing Sheet



US D502,045 S

Page 2

U.S. PATENT DOCUMENTS

D282,520 S	2/1986	Schrage	D7/360	5,515,993 A	5/1996	McManus	220/339
4,616,762 A	10/1986	Alexander	220/74	D375,652 S	11/1996	Hayes	D7/354
4,623,088 A	11/1986	Holden	229/2.5	D382,796 S	8/1997	Mangla	D9/429
D287,104 S	12/1986	Holden	D9/425	D386,081 S	11/1997	Hayes et al.	D9/425
D288,295 S	2/1987	Holden	D9/425	D392,881 S	3/1998	Bulcher et al.	D9/425
4,742,934 A	5/1988	Michaud et al.	220/306	D392,884 S	3/1998	Hayes	D9/431
D296,191 S	6/1988	Yoshida et al.	D9/425	D404,257 S	1/1999	Indekeu	D7/585
4,753,351 A	6/1988	Guillin	206/520	D404,258 S	1/1999	Indekeu	D7/585
D307,395 S	4/1990	Borst	D9/428	D404,614 S	1/1999	Indekeu	D7/588
5,050,791 A	9/1991	Bowden et al.	229/2.5	D429,961 S	8/2000	Harris	D7/540
D333,944 S	3/1993	Denzin et al.	D7/554	6,149,053 A	11/2000	Chatterton et al.	229/407
5,204,179 A	4/1993	Baker et al.	428/336	D461,123 S	8/2002	Hayes et al.	D9/429
D348,608 S	7/1994	Wyslotsky	D9/425	D470,048 S	* 2/2003	Buchalski et al.	D9/425
5,423,453 A	6/1995	Fritz	220/608				

* cited by examiner

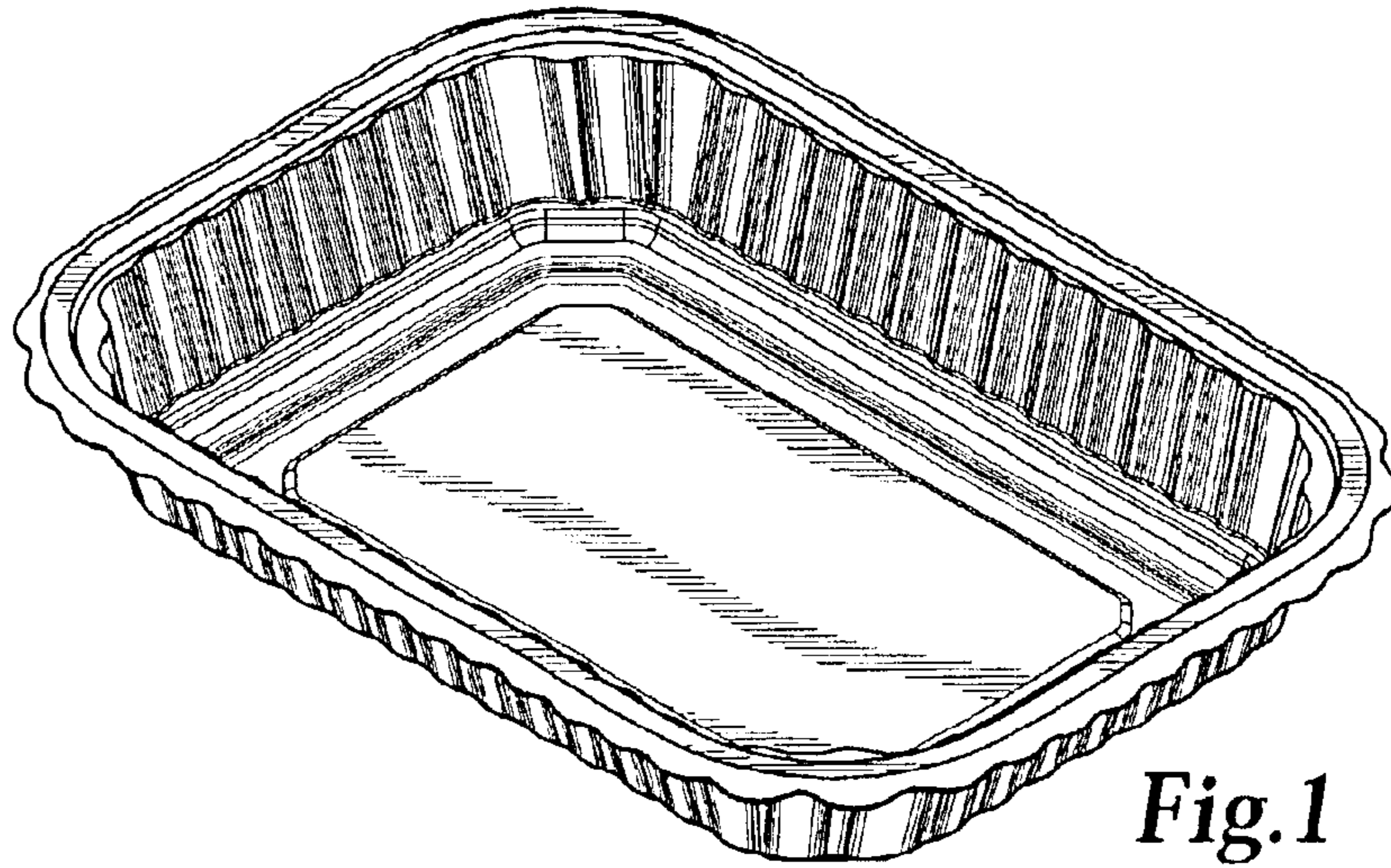


Fig.1

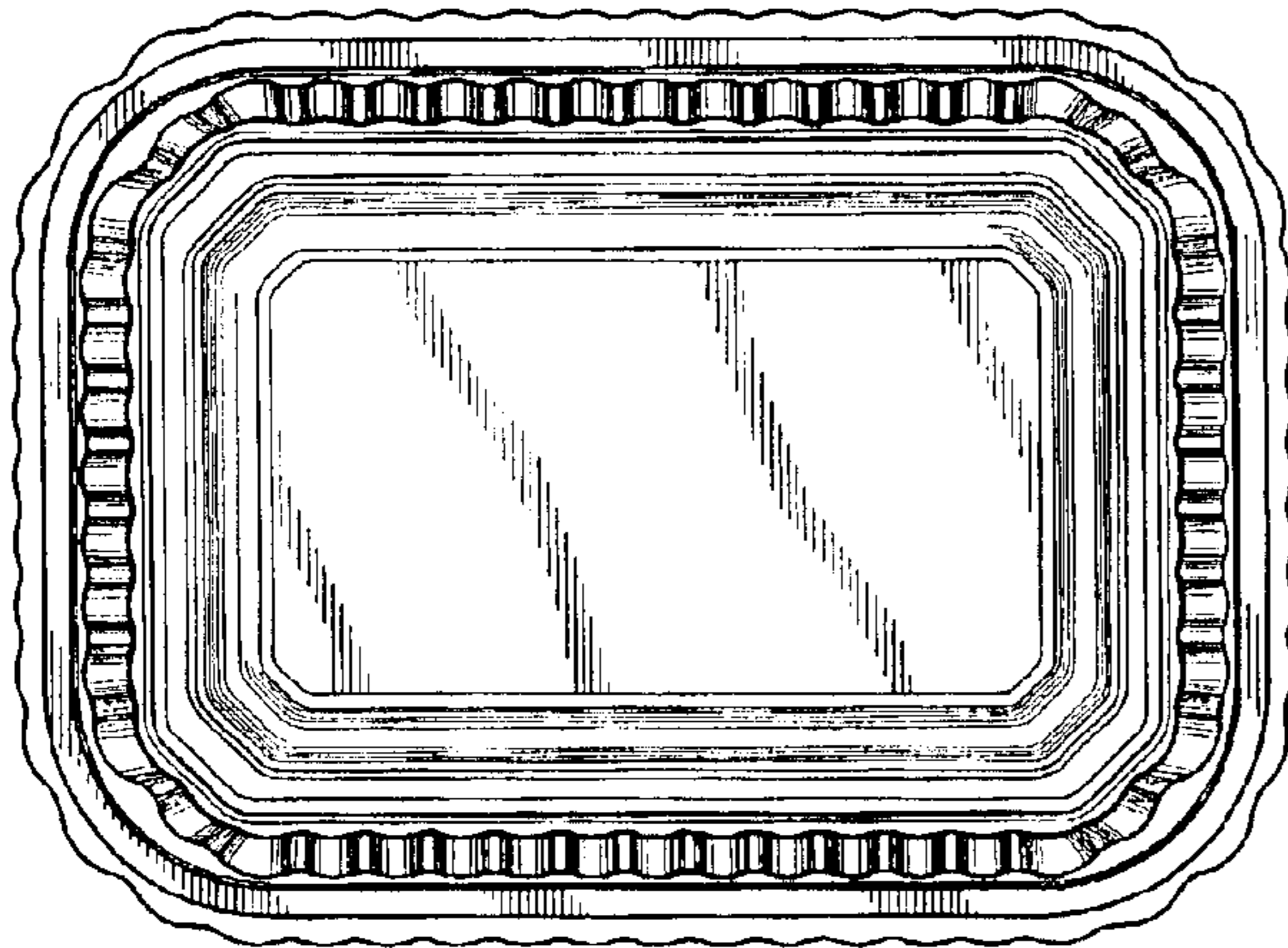


Fig.2



Fig.4

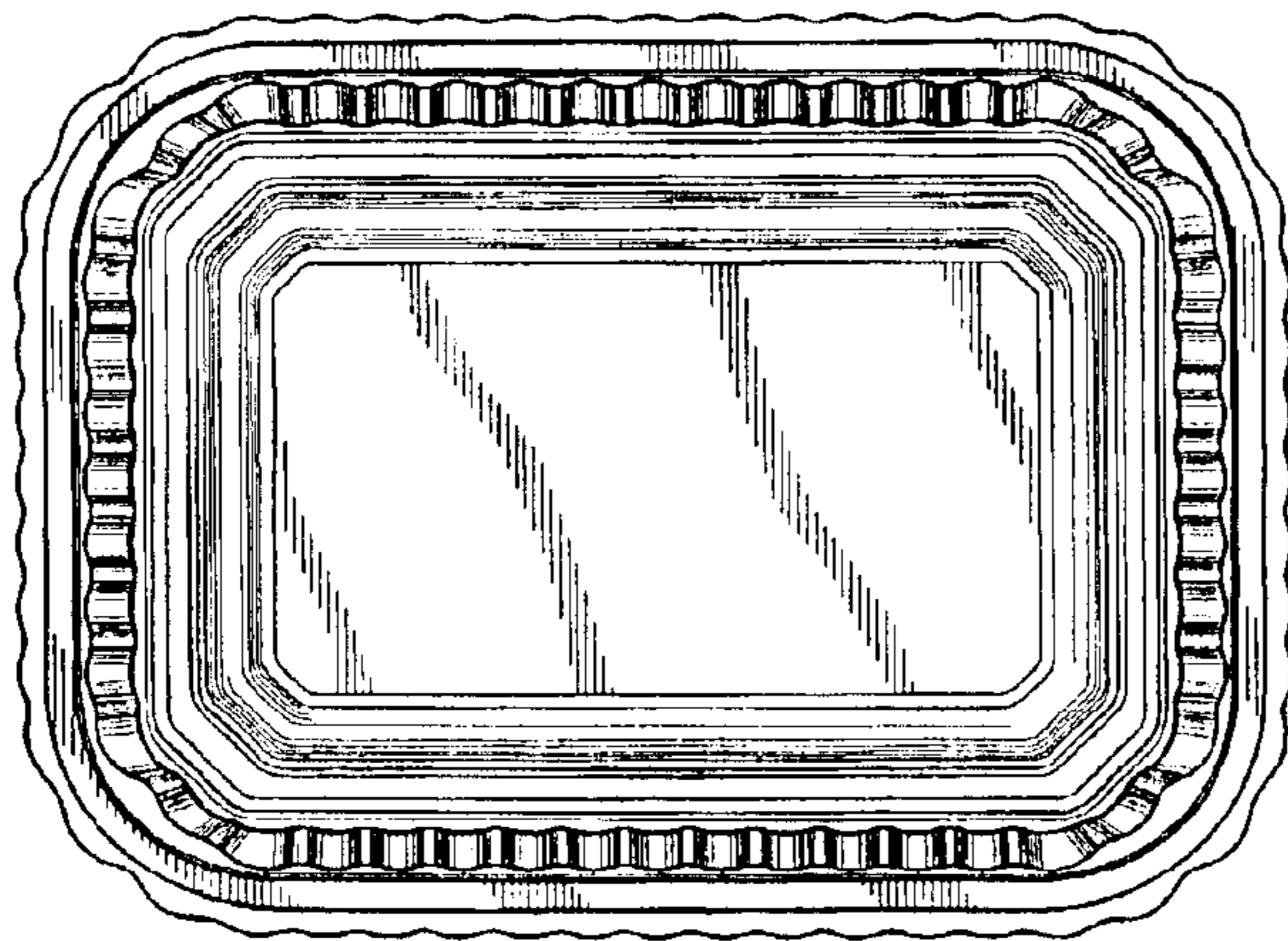


Fig.3



Fig.5