



US00D502043S

(12) **United States Design Patent**
Lin

(10) **Patent No.:** **US D502,043 S**

(45) **Date of Patent:** **** Feb. 22, 2005**

(54) **COFFEE MAKER**

D477,175 S * 7/2003 Smith D7/309
D491,763 S * 6/2004 Picozza et al. D7/309

(75) **Inventor:** **Yu-Yuan Lin**, Tainan (TW)

* cited by examiner

(73) **Assignee:** **Uni-Splendor Corp.**, Tainan (TW)

Primary Examiner—M. N. Pandozzi

(**) **Term:** **14 Years**

(74) *Attorney, Agent, or Firm*—Apex Juris, pllc; Tracy M Heims

(21) **Appl. No.:** **29/189,068**

(57) **CLAIM**

(22) **Filed:** **Aug. 27, 2003**

The ornamental design for a coffee maker, as shown and described.

(51) **LOC (7) Cl.** **07-01**

(52) **U.S. Cl.** **D7/309; D7/311**

(58) **Field of Search** D7/300, 309, 310,
D7/311, 306; 99/279, 280, 285, 295, 304;
426/433, 435

DESCRIPTION

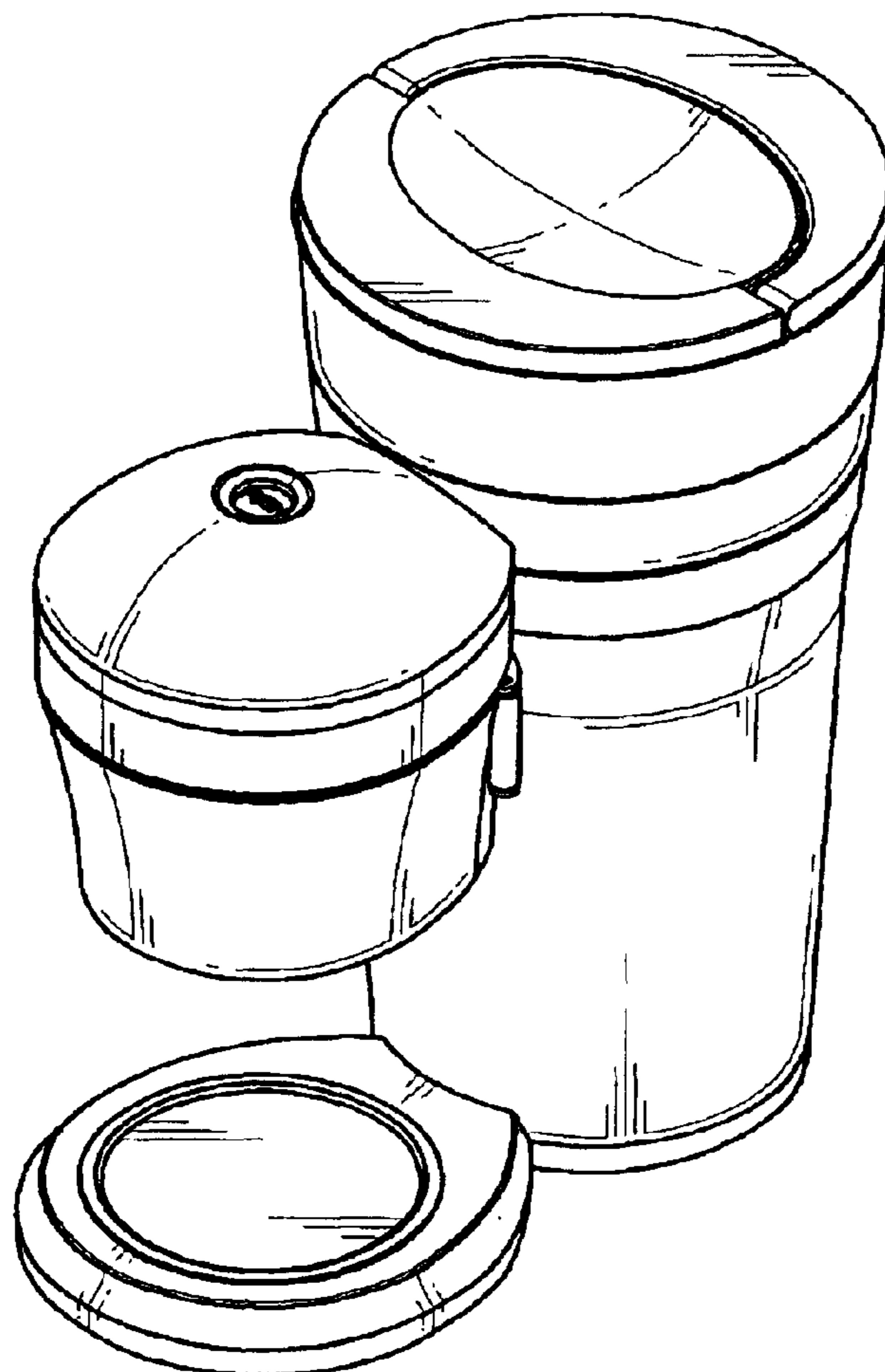
FIG. 1 is a perspective view of a coffee maker showing my new design;
FIG. 2 is a front side elevational view thereof;
FIG. 3 is a rear side elevational view thereof;
FIG. 4 is a left side elevational view thereof;
FIG. 5 is a right side elevational view thereof;
FIG. 6 is a top plan view thereof; and,
FIG. 7 is a bottom plan view thereof.

(56) **References Cited**

U.S. PATENT DOCUMENTS

D300,596 S * 4/1989 Eugster D7/309
D331,522 S * 12/1992 Littmann D7/309
D444,985 S * 7/2001 Wu D7/309

1 Claim, 4 Drawing Sheets



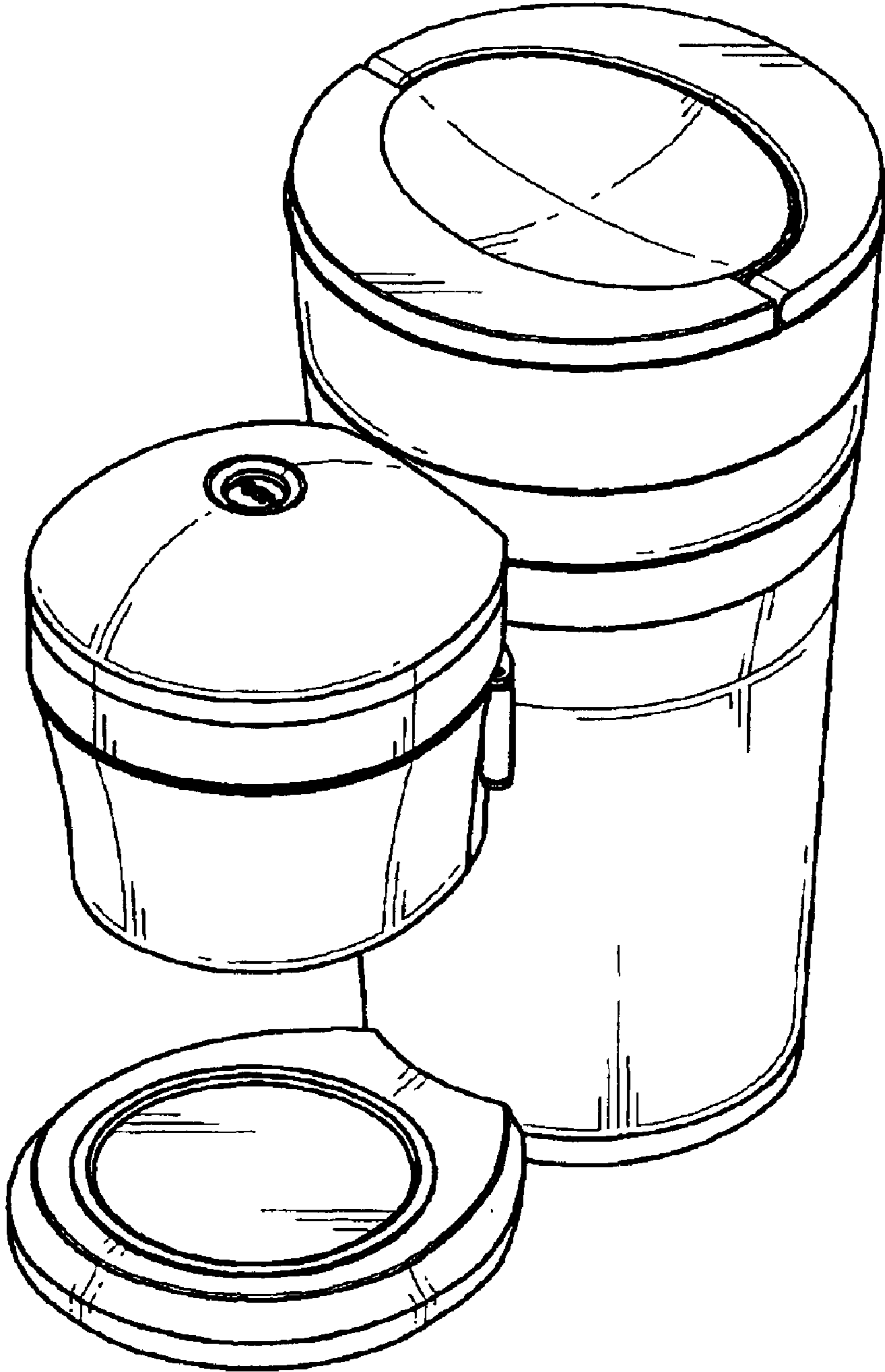


FIG. 1

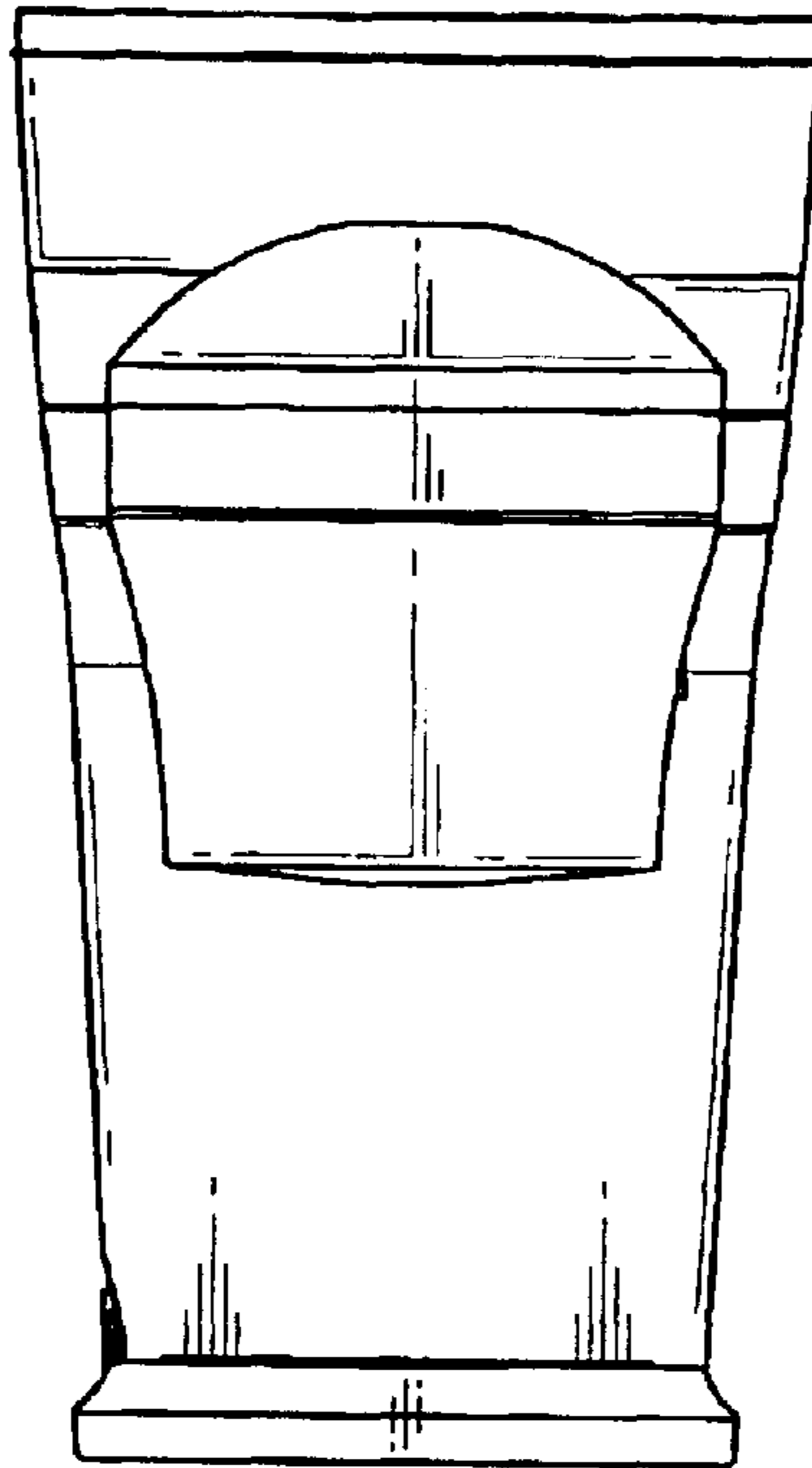


FIG. 2

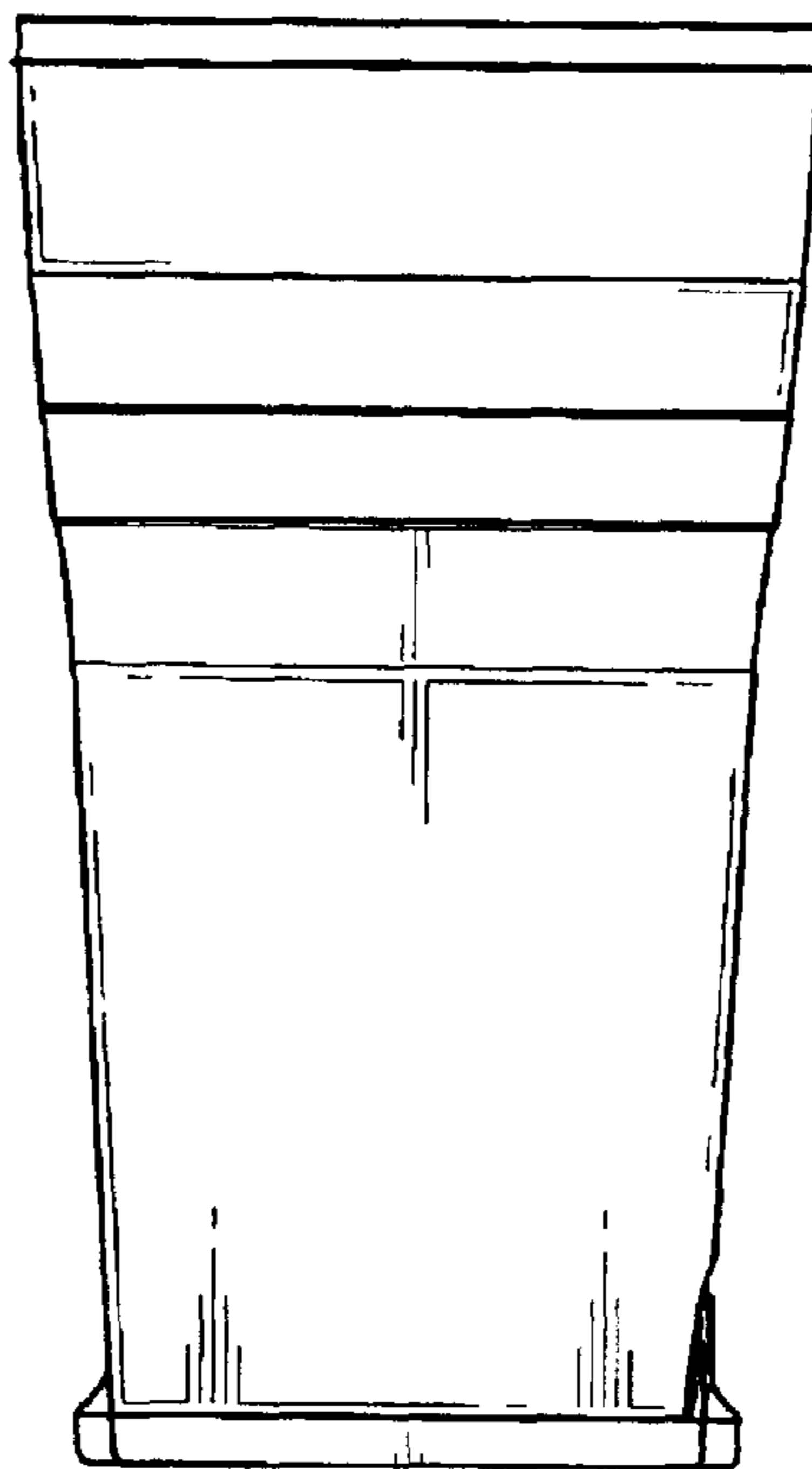


FIG. 3

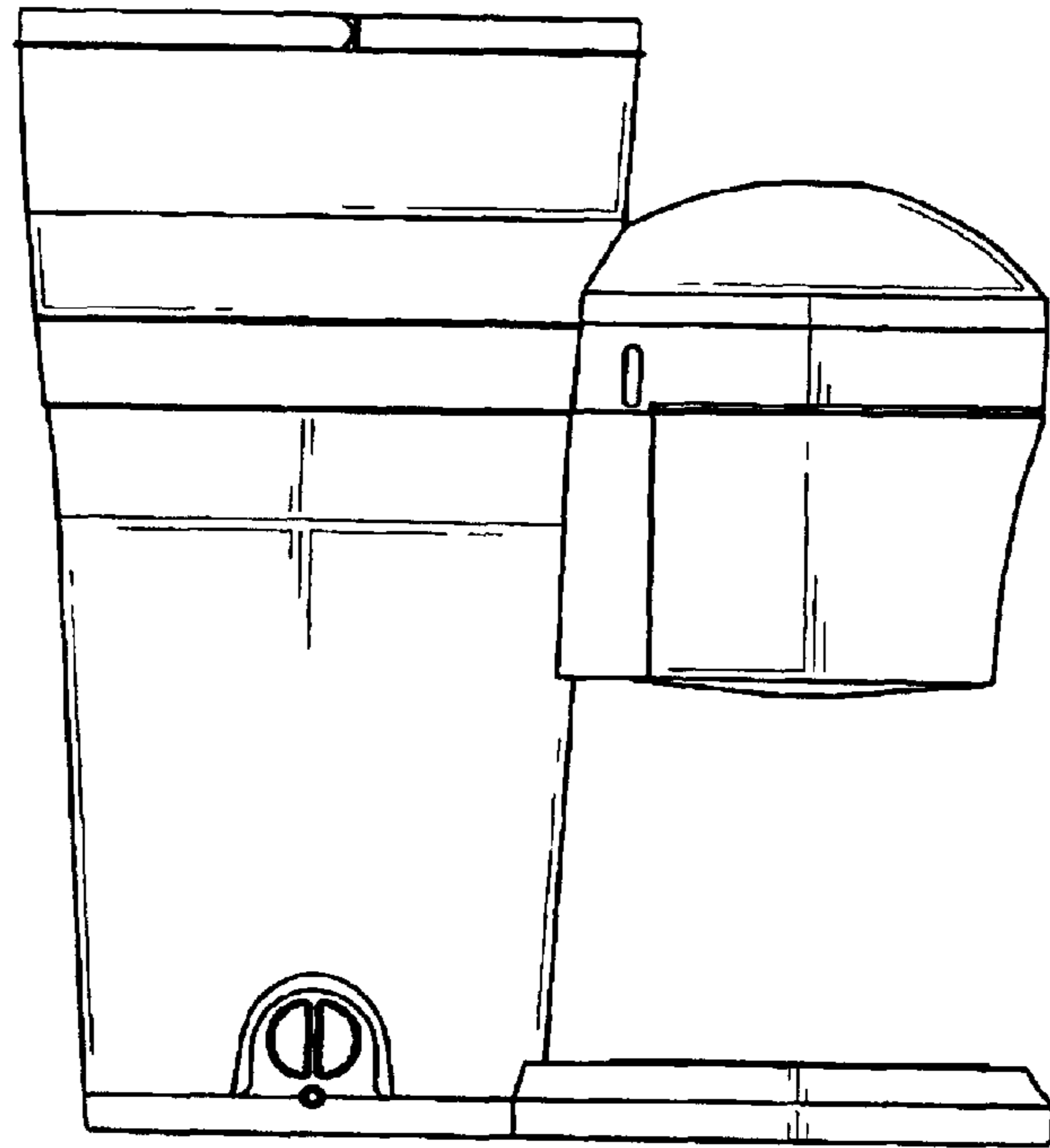


FIG. 4

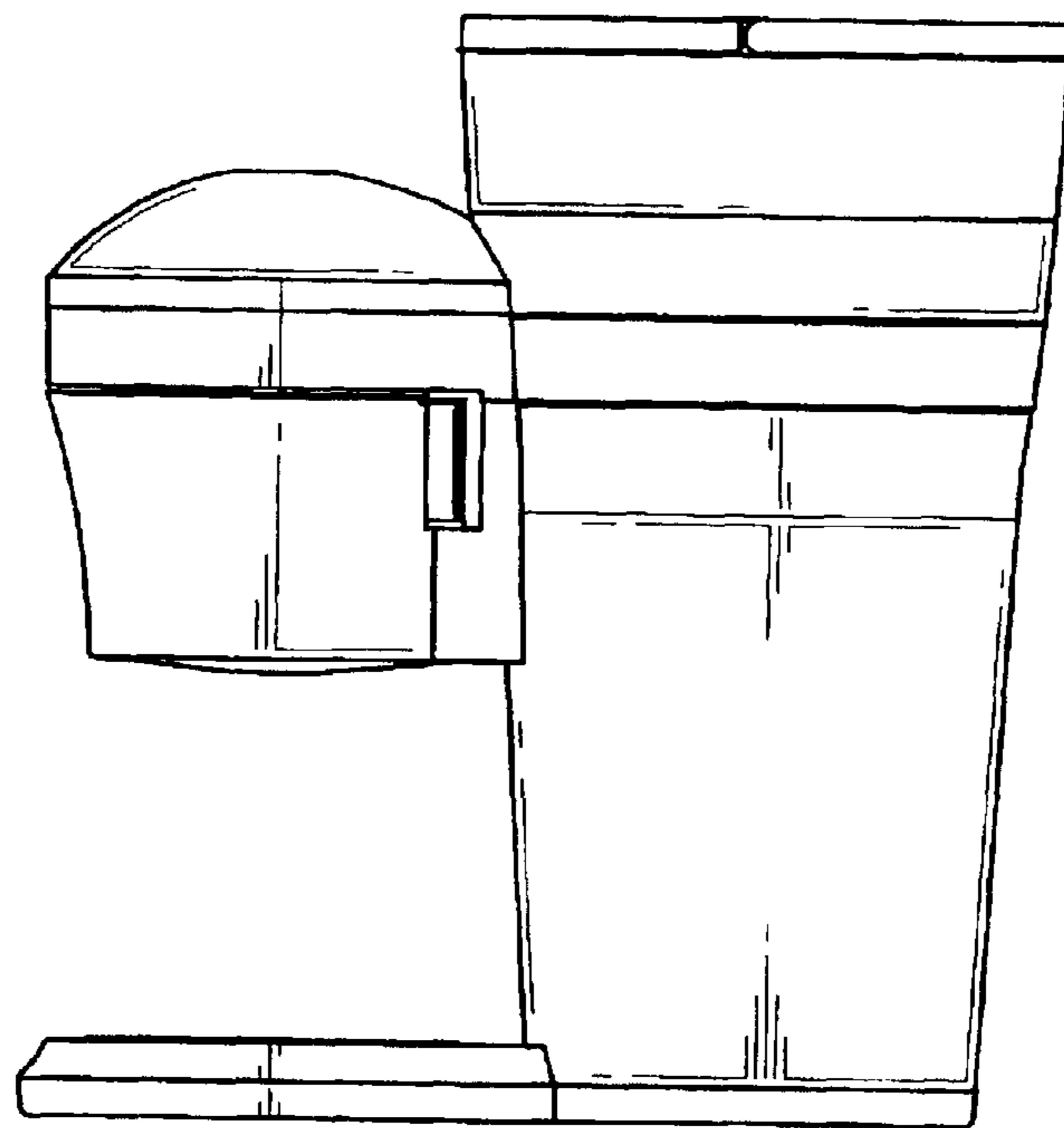


FIG. 5

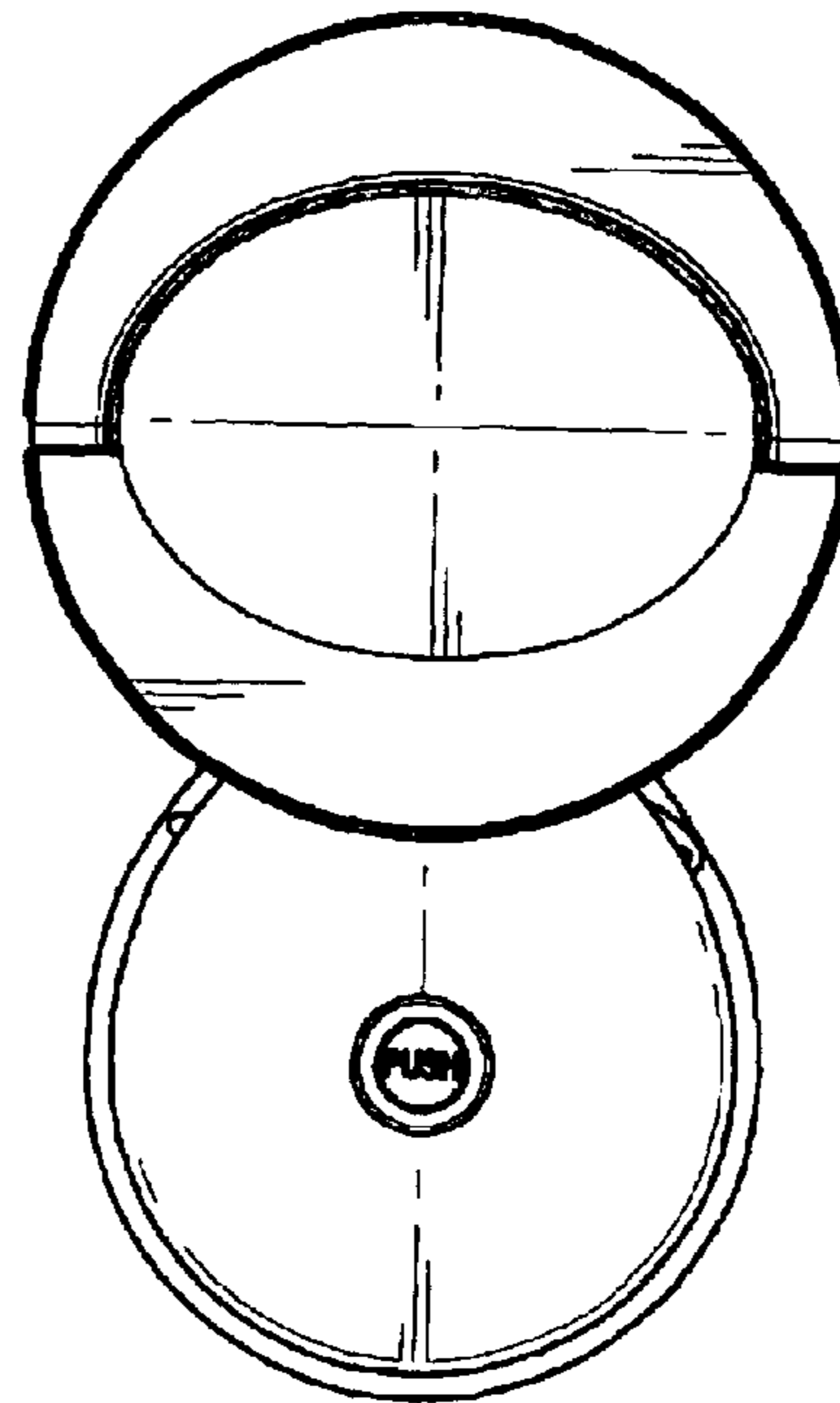


FIG. 6

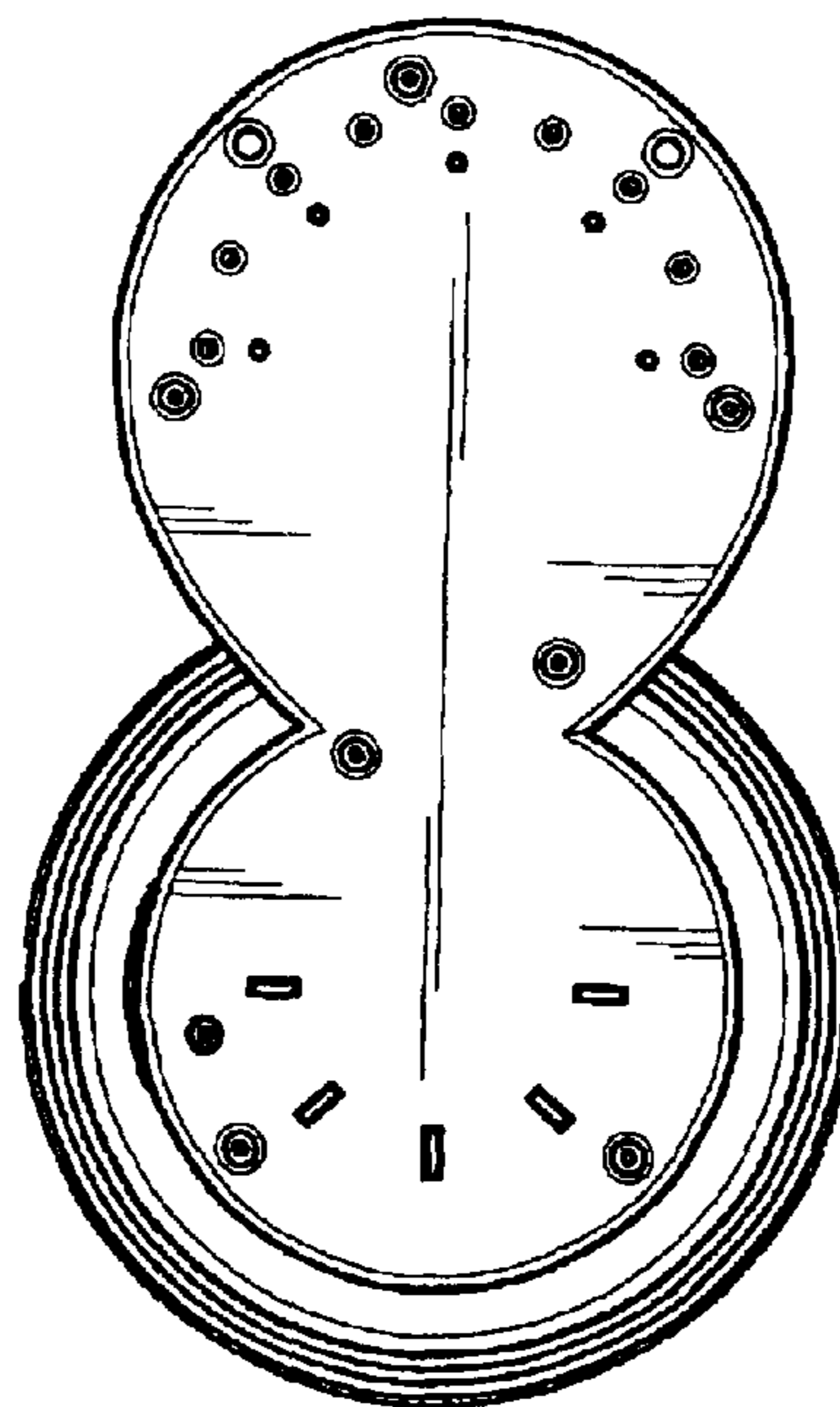


FIG. 7