



US00D502042S

(12) **United States Design Patent**
Lin

(10) **Patent No.:** **US D502,042 S**

(45) **Date of Patent:** **** Feb. 22, 2005**

(54) **COFFEE MAKER**

(75) Inventor: **Yu-Yuan Lin**, Tainan (TW)

(73) Assignee: **Uni-Splendor Corp.**, Tainan (TW)

(**) Term: **14 Years**

(21) Appl. No.: **29/189,062**

(22) Filed: **Aug. 28, 2003**

(51) **LOC (7) Cl.** **07-01**

(52) **U.S. Cl.** **D7/309; D7/311**

(58) **Field of Search** **D7/300, 309, 310,**
D7/311, 306; 99/279, 280, 285, 295, 304;
426/433, 435

(56) **References Cited**

U.S. PATENT DOCUMENTS

D292,258 S	*	10/1987	Diefenbach	D7/309
D298,402 S	*	11/1988	Seiffert	D7/309
D299,999 S	*	2/1989	Pandolfi	D7/309
D300,104 S	*	3/1989	Cortese	D7/309
D331,522 S	*	12/1992	Littmann	D7/309
D338,590 S	*	8/1993	Dingelstad et al.	D7/309
D342,182 S	*	12/1993	Camara	D7/309

D366,180 S	*	1/1996	Littmann	D7/309
D411,403 S	*	6/1999	Gudefin	D7/309
D429,594 S	*	8/2000	Lin	D7/309
D441,593 S	*	5/2001	Gudefin	D7/309
D496,214 S	*	9/2004	Ledingham et al.	D7/309

* cited by examiner

Primary Examiner—M. N. Pandozzi

(74) *Attorney, Agent, or Firm*—Apex Juris, pllc; Tracy M Heims

(57) **CLAIM**

The ornamental design for a coffee maker, as shown and described.

DESCRIPTION

FIG. 1 is a perspective view of a coffee maker showing my new design;

FIG. 2 is a front side elevational view thereof;

FIG. 3 is a rear side elevational view thereof;

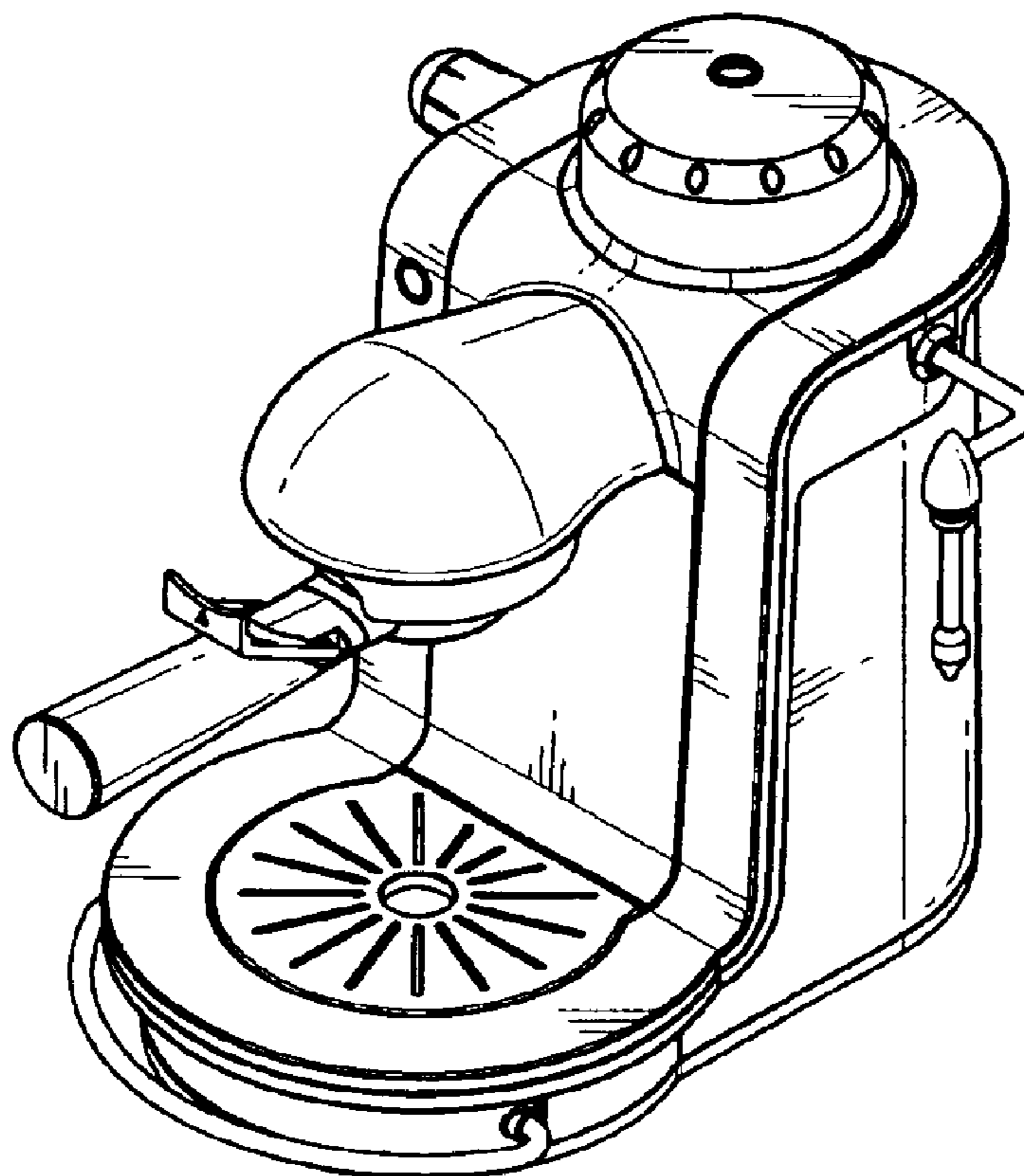
FIG. 4 is a left side elevational view thereof;

FIG. 5 is a right side elevational view thereof;

FIG. 6 is a top plan view thereof; and,

FIG. 7 is a bottom plan view thereof.

1 Claim, 4 Drawing Sheets



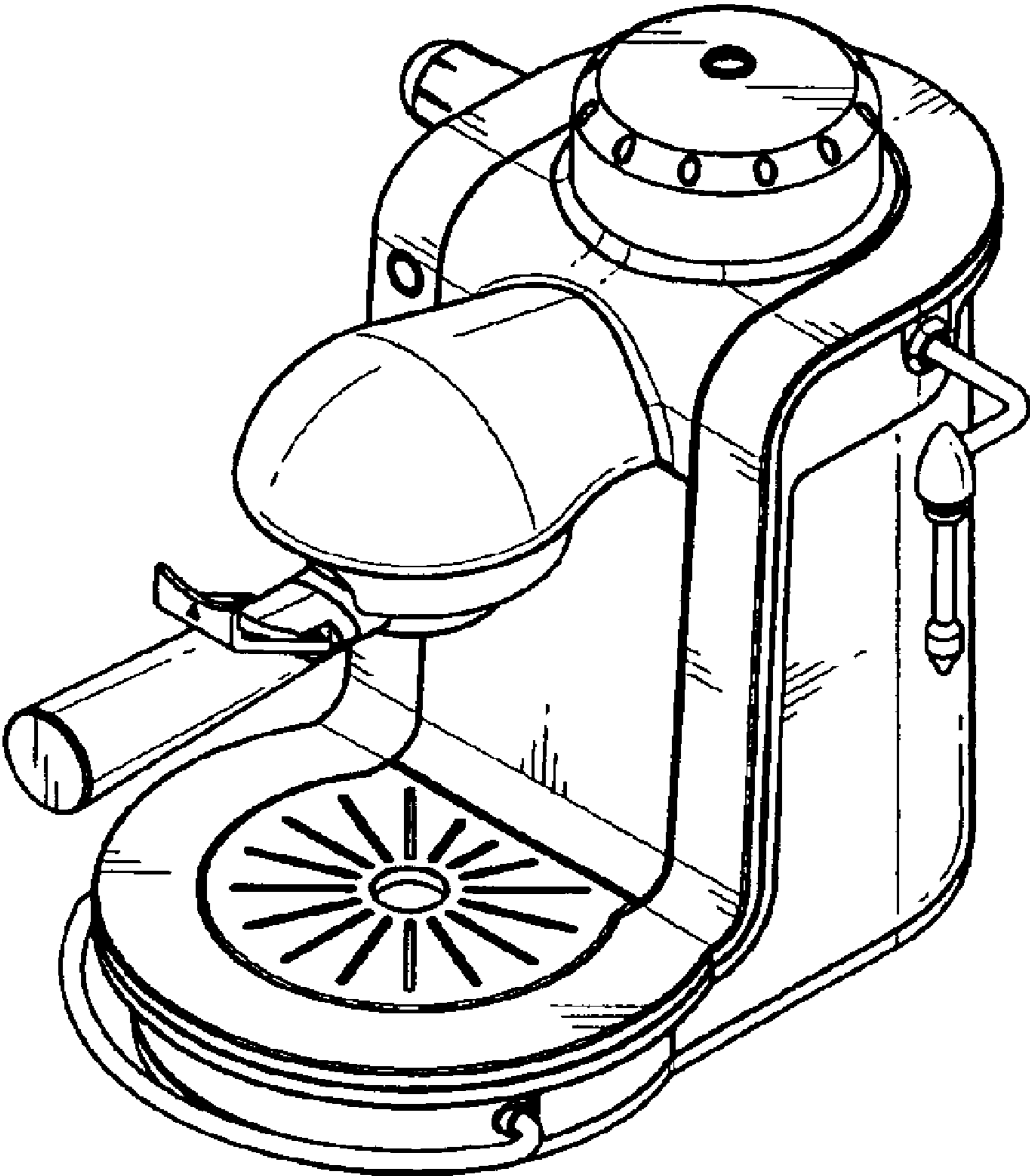


FIG. 1

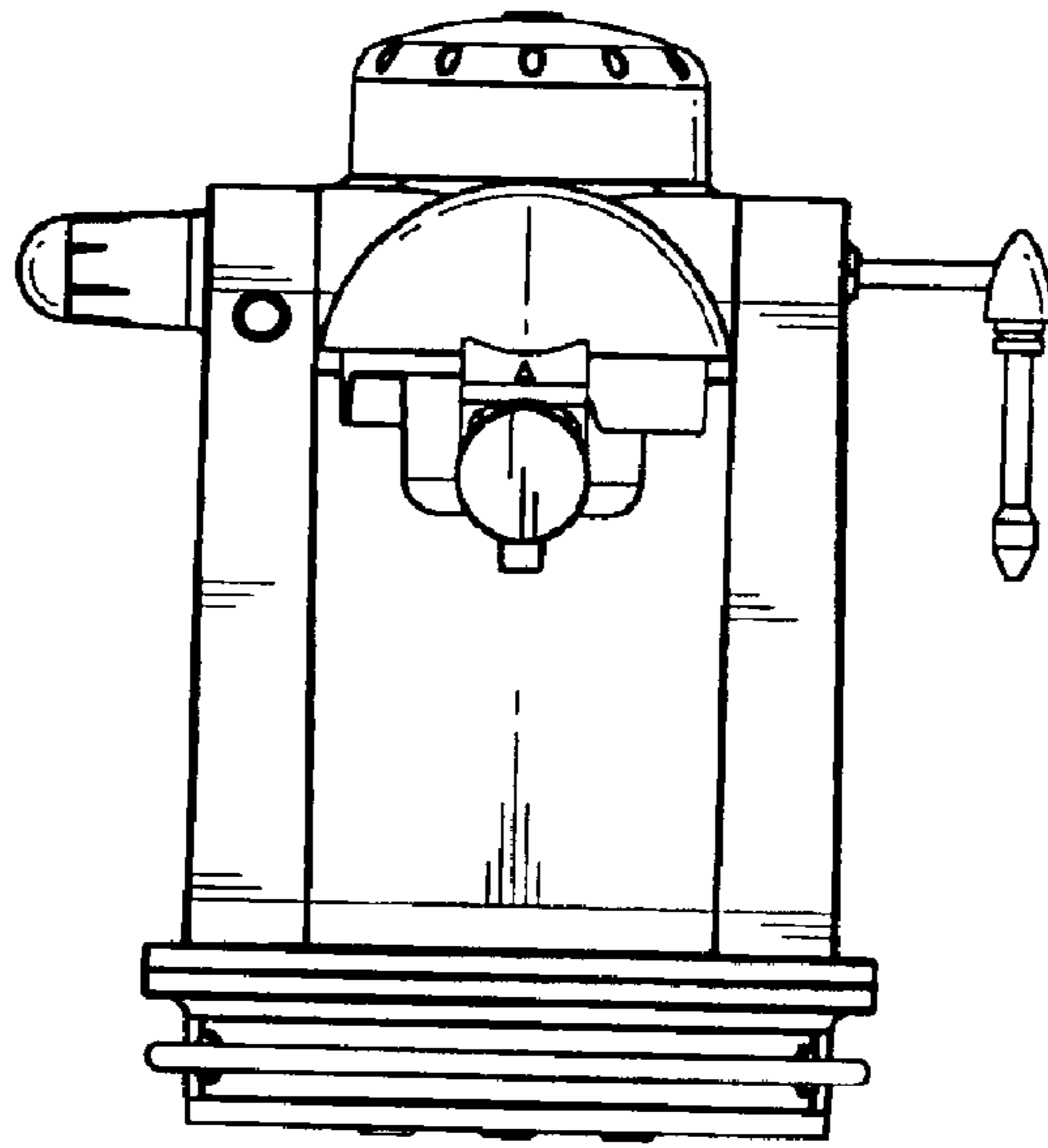


FIG. 2

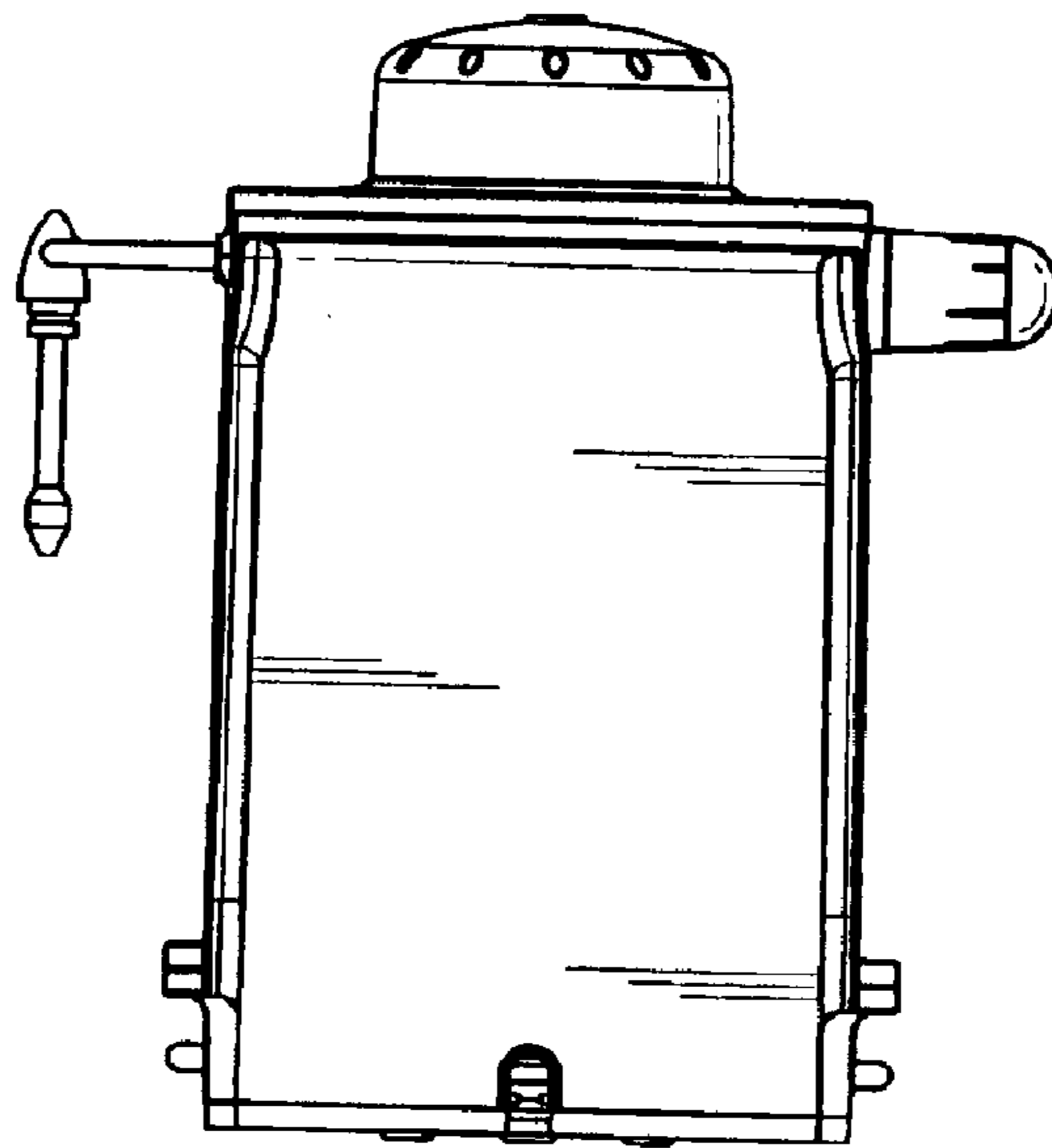


FIG. 3

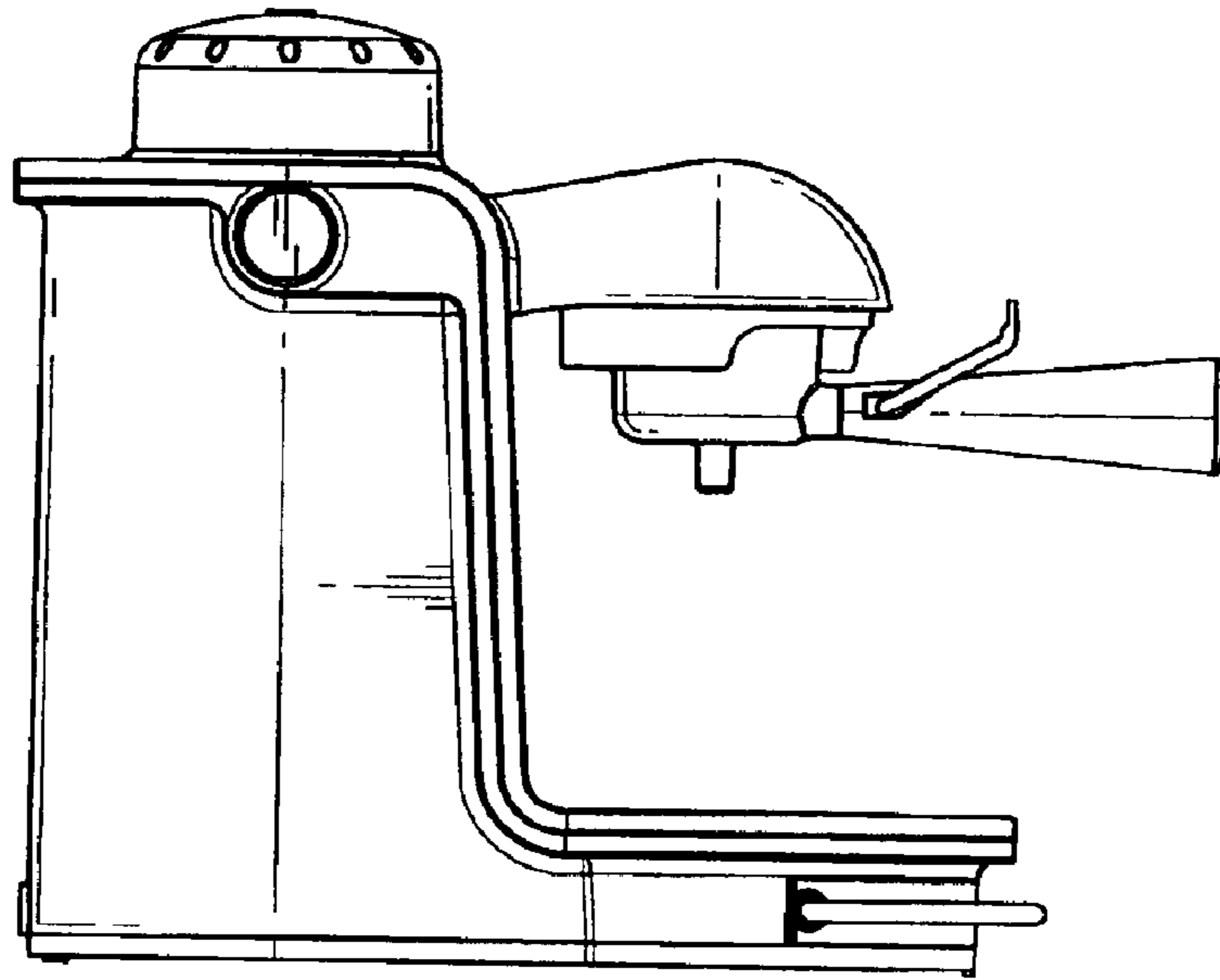


FIG. 4

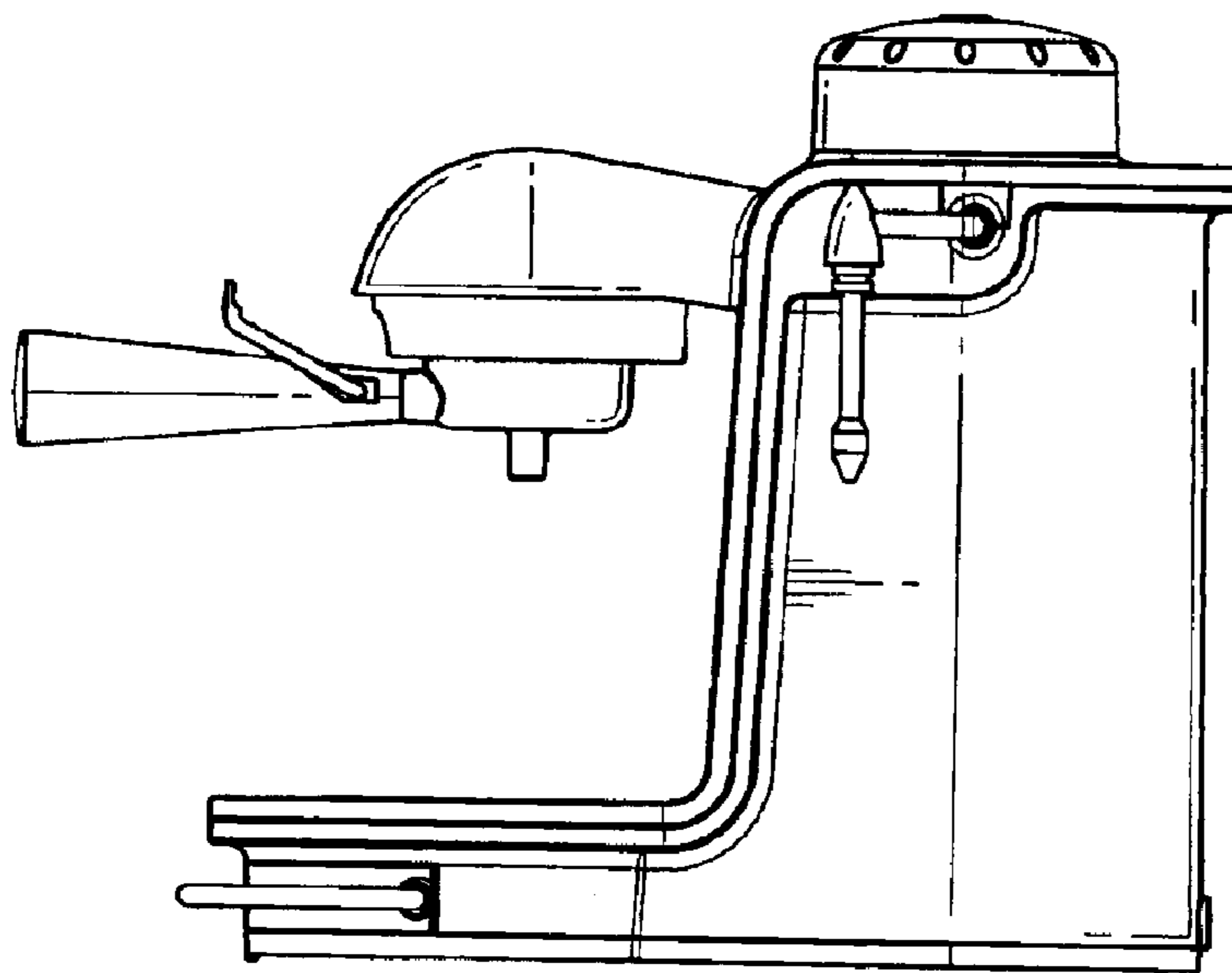


FIG. 5

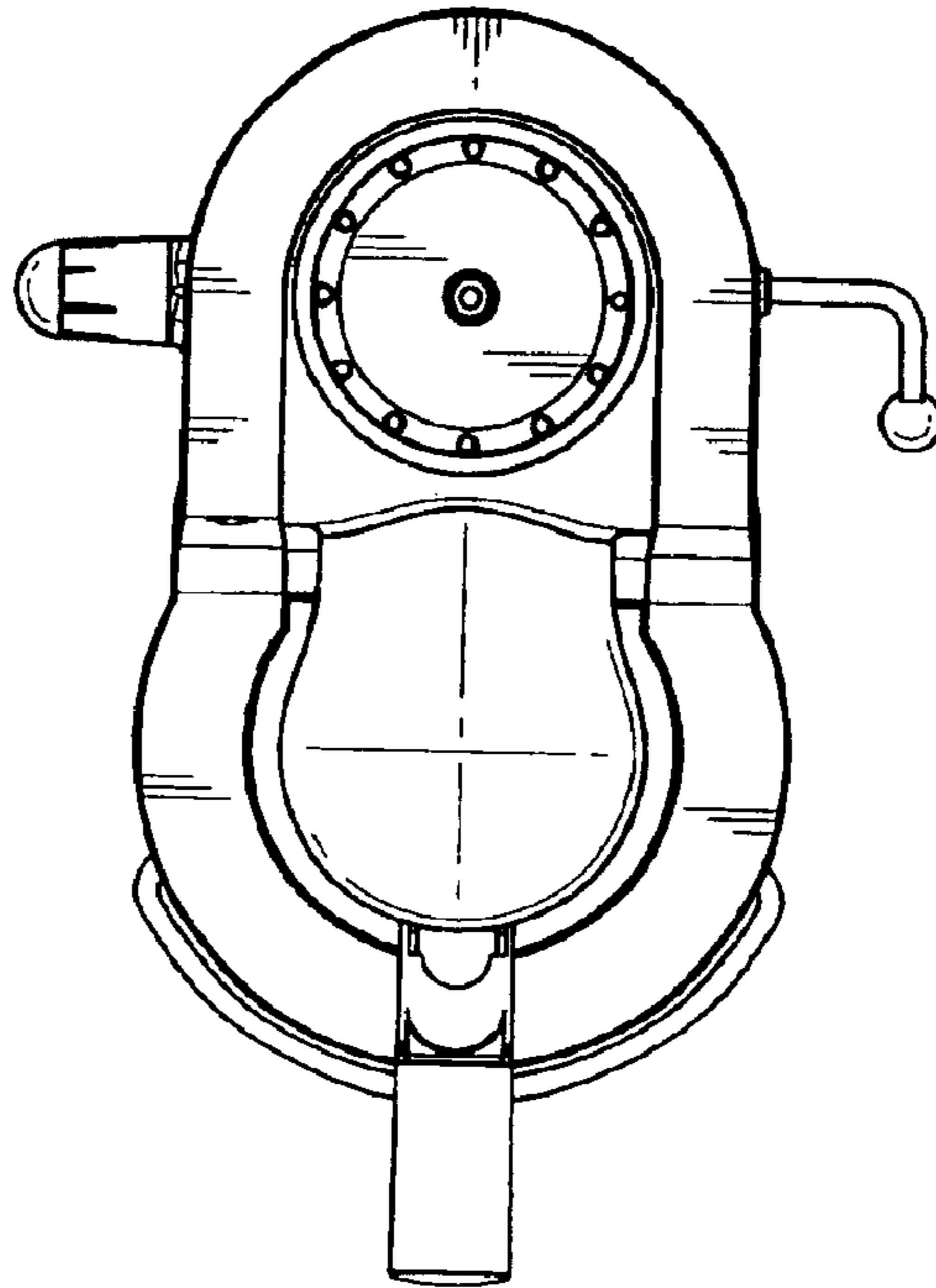


FIG. 6

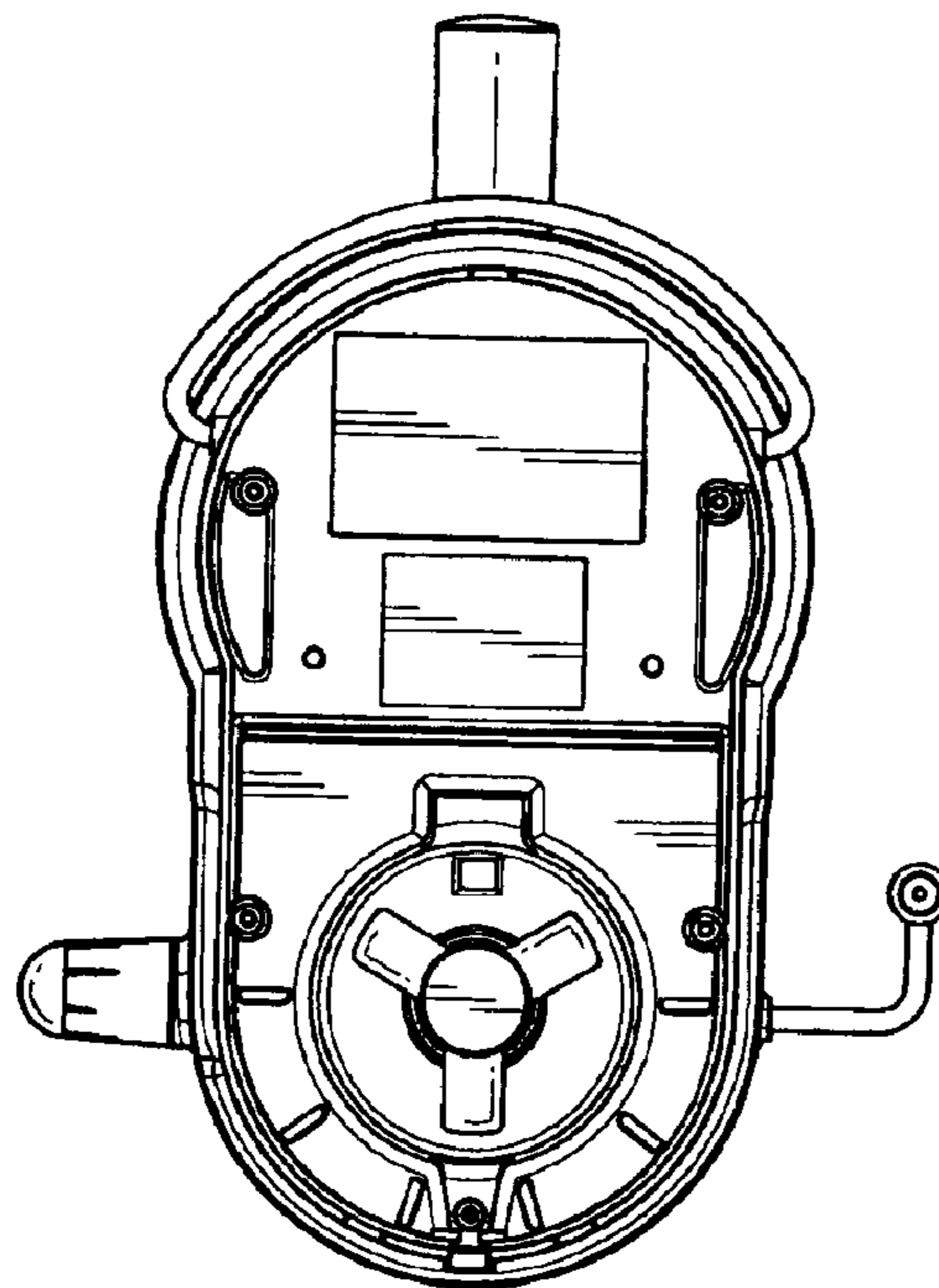


FIG. 7