



US00D502040S

(12) **United States Design Patent**  
**Kollegian**

(10) **Patent No.:** **US D502,040 S**  
(45) **Date of Patent:** **\*\* Feb. 22, 2005**

(54) **HOLDER FOR COMPACT DISCS**

**DESCRIPTION**

- (75) Inventor: **Les Kollegian**, La Jolla, CA (US)
- (73) Assignee: **Disc Dealer, Inc.**, San Diego, CA (US)
- (\*\*) Term: **14 Years**
- (21) Appl. No.: **29/169,479**
- (22) Filed: **Oct. 21, 2002**
- (51) **LOC (7) Cl.** ..... **06-04**
- (52) **U.S. Cl.** ..... **D6/630**
- (58) **Field of Search** ..... D6/907, 627-630,  
D6/449, 468, 553, 555; 206/308.1, 309;  
211/40, 42, 43, 41.12; 312/9.1, 9.9, 9.11,  
9.16, 9.47, 9.51, 9.54, 9.96, 9.53, 9.64

FIG. 1 is a right side perspective view of the disc holder, shown in a disassembled position;  
 FIG. 2 is a front view thereof;  
 FIG. 3 is a rear view thereof;  
 FIG. 4 is a side view thereof, shown in an assembled position;  
 FIG. 5 is a side view thereof;  
 FIG. 6 is a left side perspective view thereof, shown without the hinge arm and the upper spring clip for ease of illustration;  
 FIG. 7 is a right side perspective view thereof;  
 FIG. 8 is a front view of the hinge arm, shown separately for completeness of illustration;  
 FIG. 9 is a rear view thereof;  
 FIG. 10 is a top perspective view thereof;  
 FIG. 11 is a front view of the hinge portion of the hinge arm, shown separately for completeness of illustration;  
 FIG. 12 is a rear view thereof;  
 FIG. 13 is a side view thereof;  
 FIG. 14 is a top perspective view thereof;  
 FIG. 15 is a front view of the spring clip, shown separately for completeness of illustration;  
 FIG. 16 is a rear view thereof;  
 FIG. 17 is a left side perspective view thereof; and,  
 FIG. 18 is a bottom view thereof.

The broken lines shown are for illustrative purposes only and form no part of the claimed design.

(56) **References Cited**

**U.S. PATENT DOCUMENTS**

- D358,524 S \* 5/1995 Sedon et al. .... D6/629
- D380,325 S \* 7/1997 Kempf ..... D6/553 X
- D398,471 S \* 9/1998 Malik ..... D6/630
- D404,956 S \* 2/1999 Cheris et al. .... D6/629
- D404,957 S \* 2/1999 Cheris et al. .... D6/629
- D448,598 S \* 10/2001 Mok et al. .... D6/630

\* cited by examiner

*Primary Examiner*—Cathron Brooks  
(74) *Attorney, Agent, or Firm*—Dalina Law Group P.C.

(57) **CLAIM**

The ornamental design for a holder for compact discs, as shown and described.

**1 Claim, 9 Drawing Sheets**

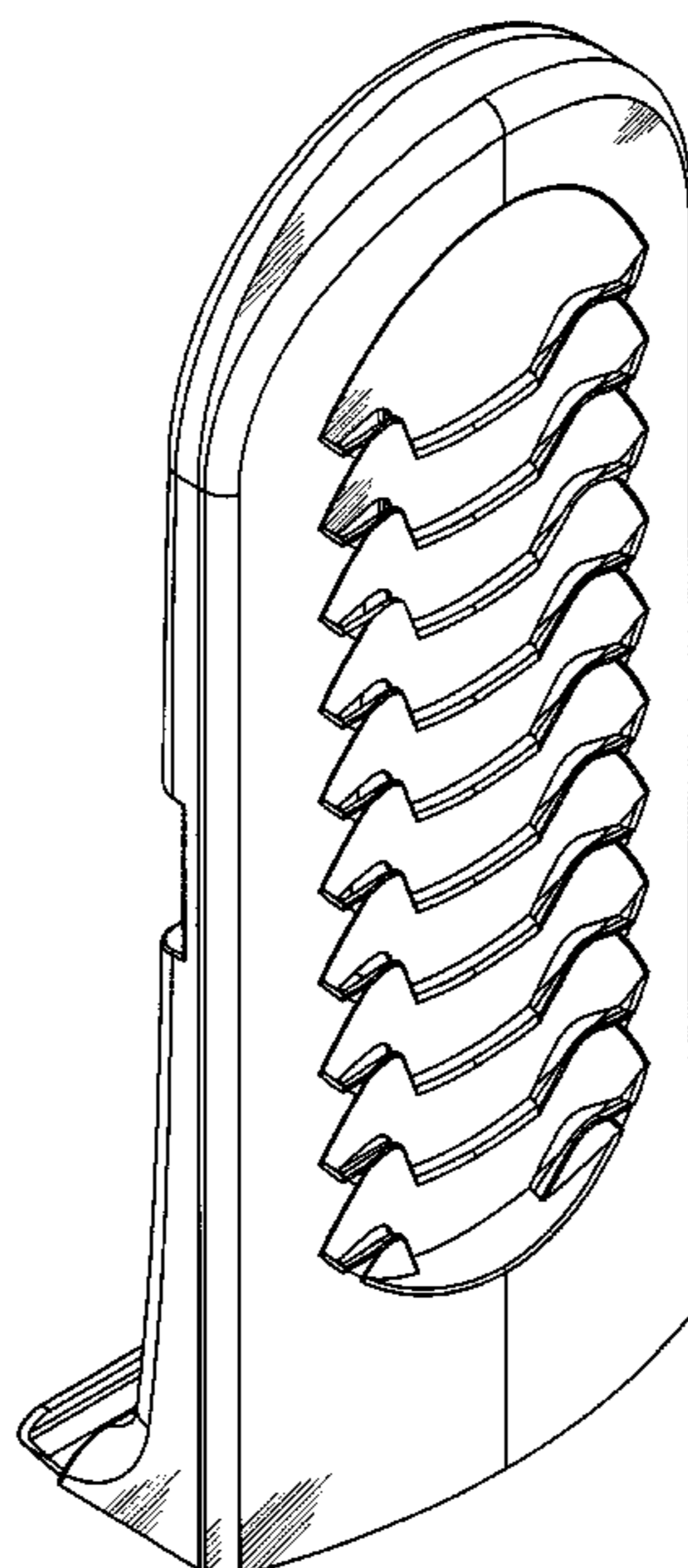


FIG. 1

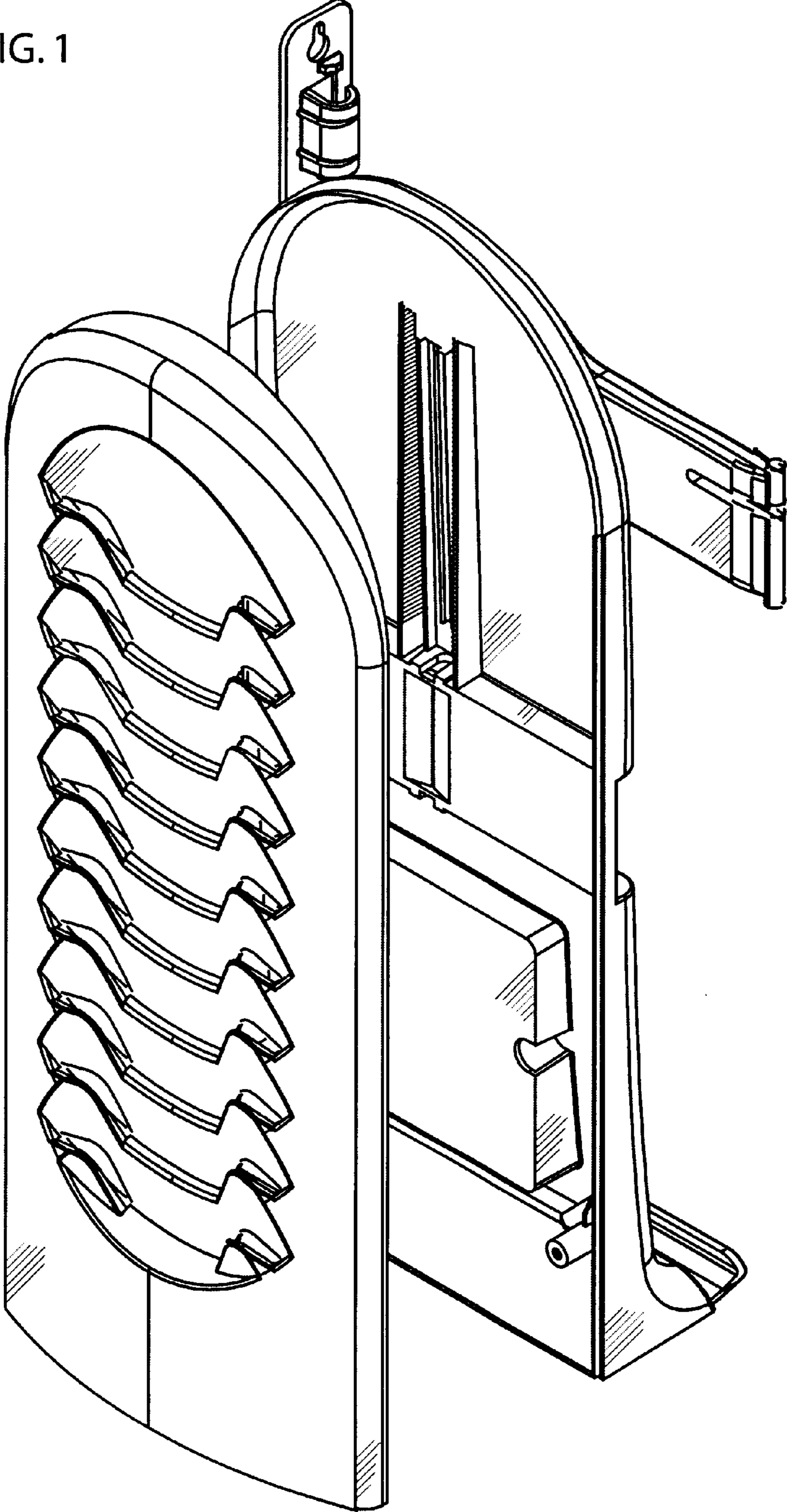


FIG. 2

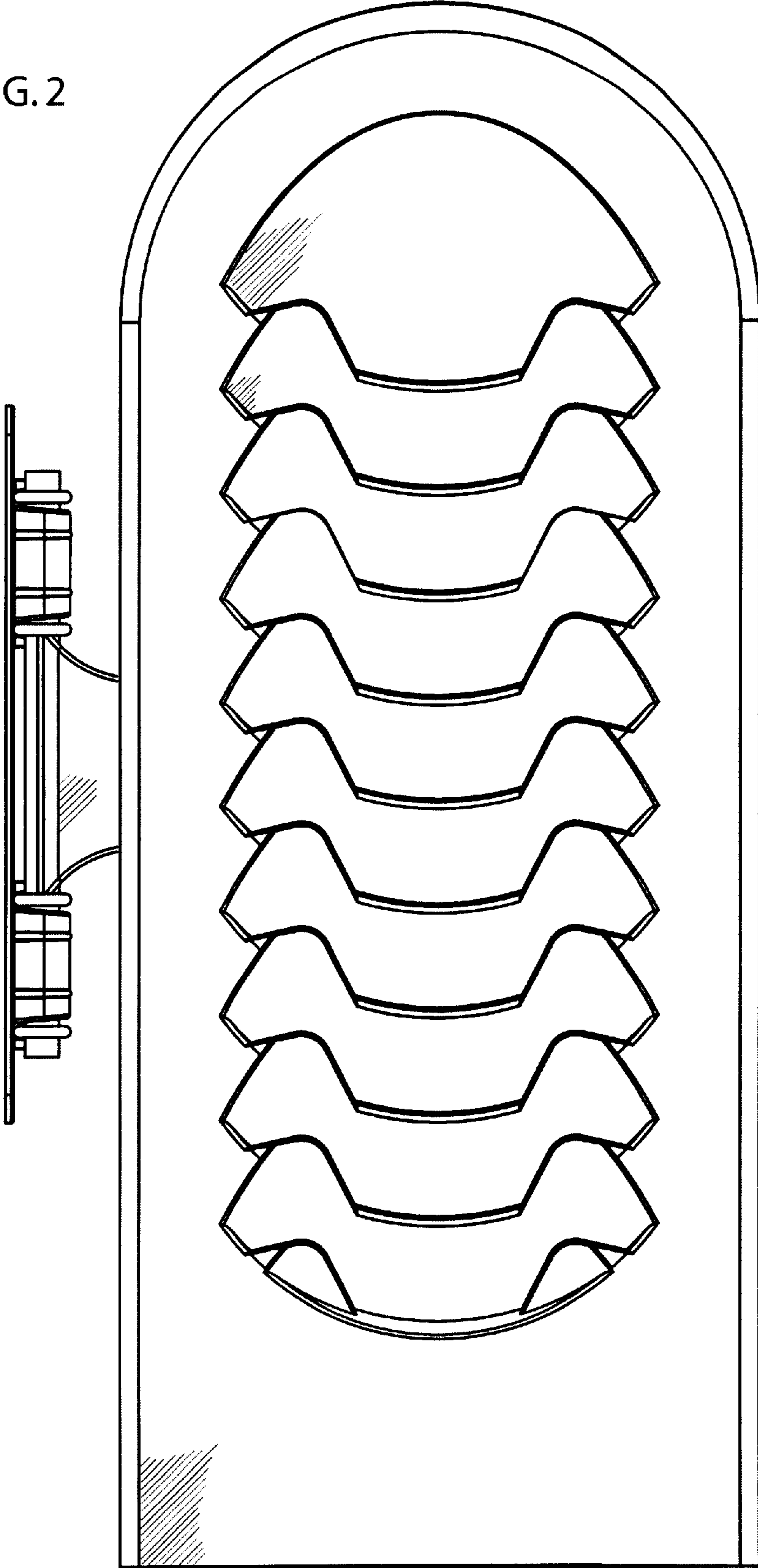


FIG. 3

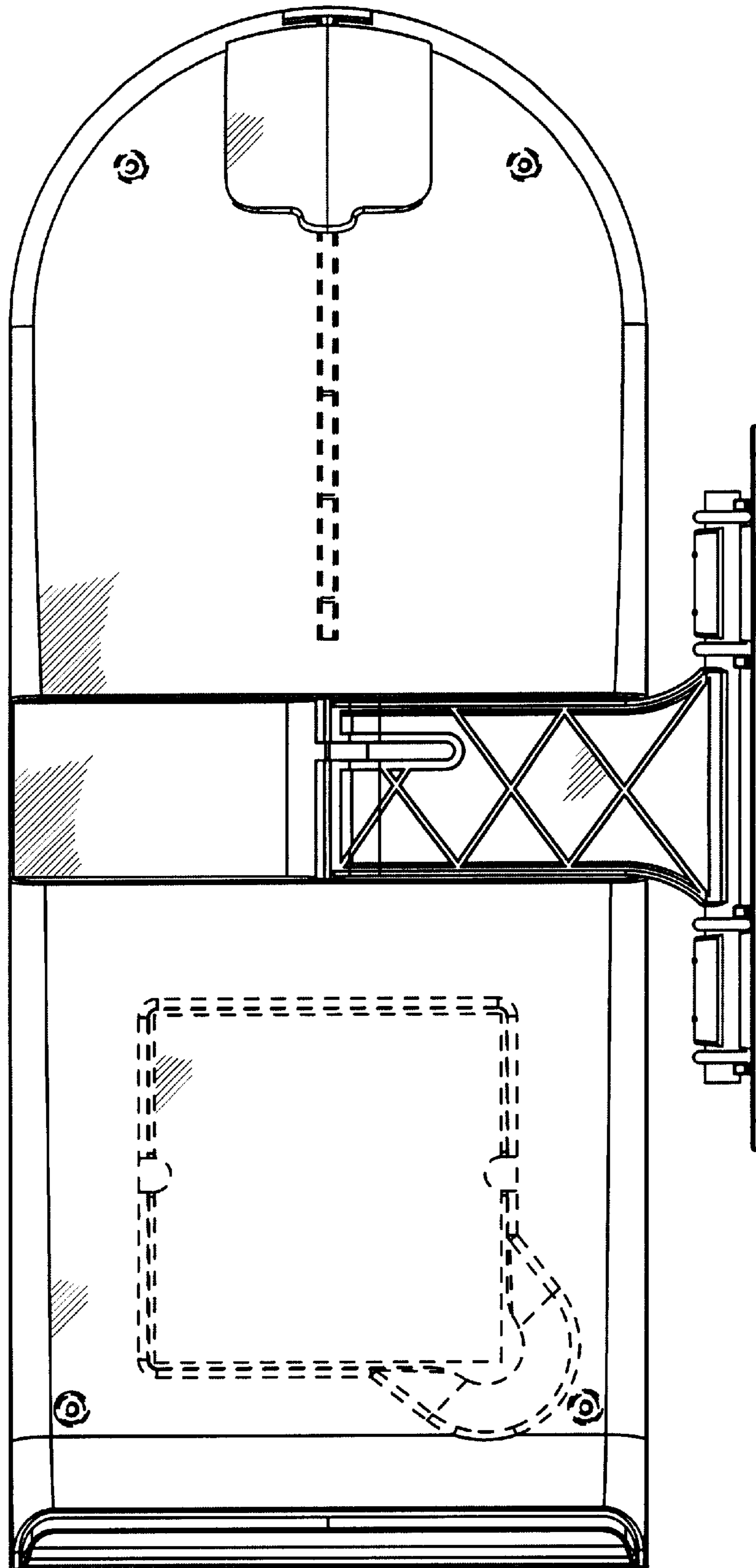


FIG. 4

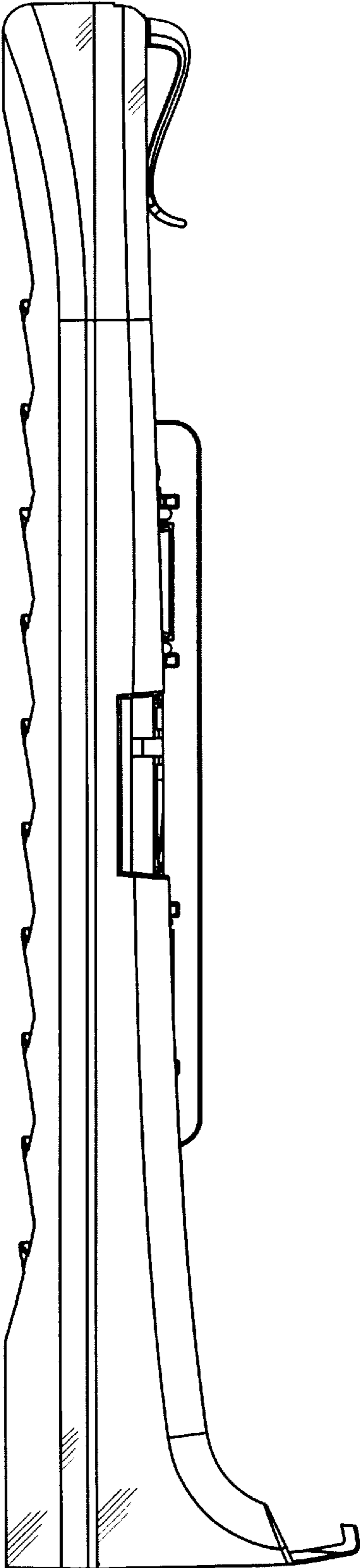


FIG. 5

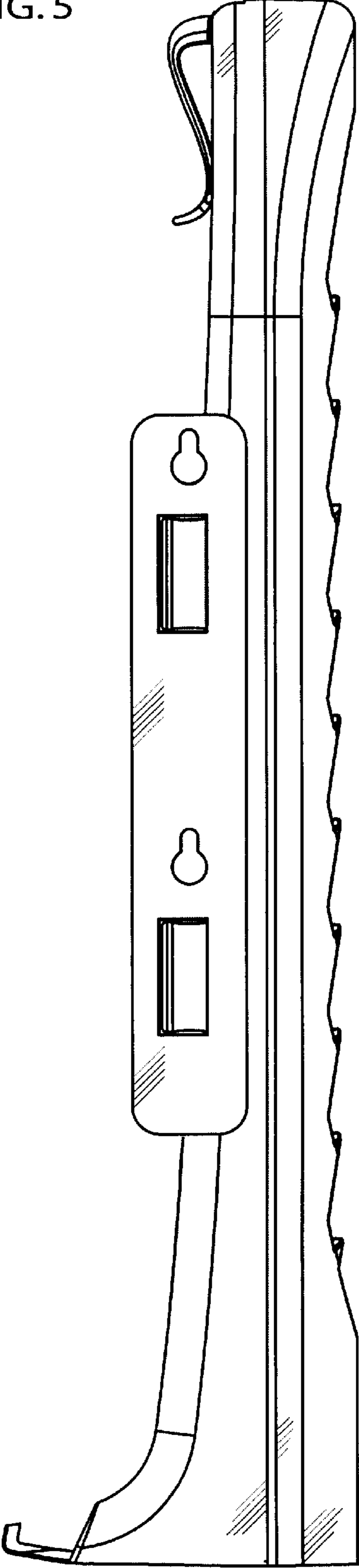


FIG. 6

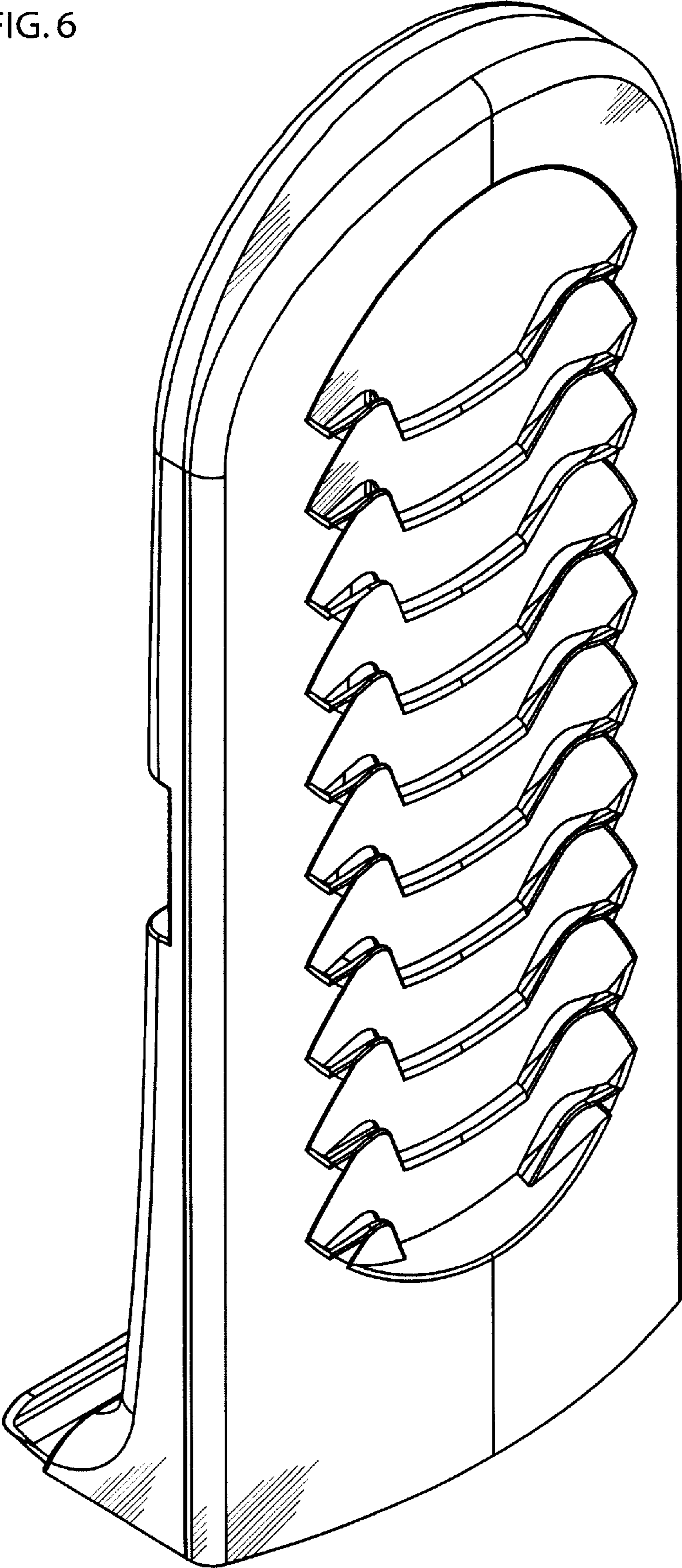


FIG. 7

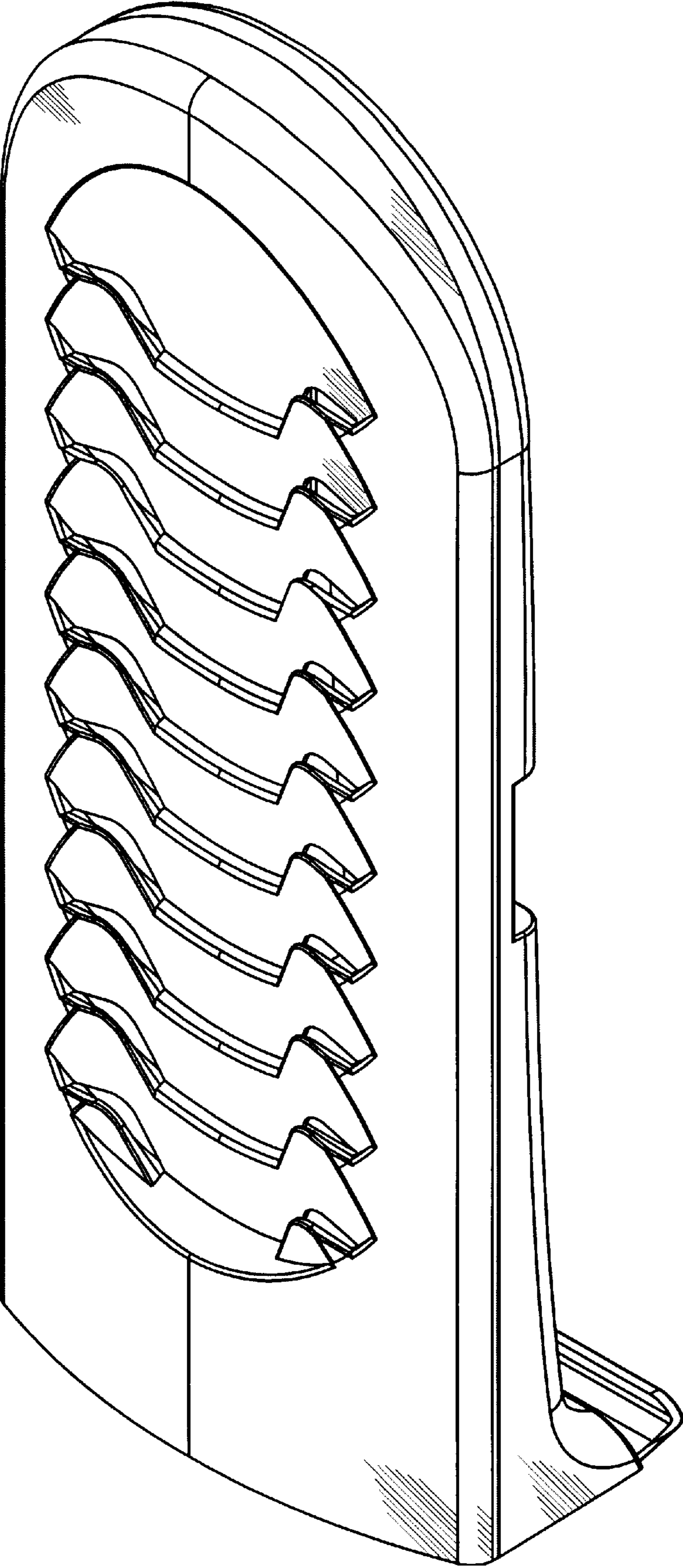


FIG. 8

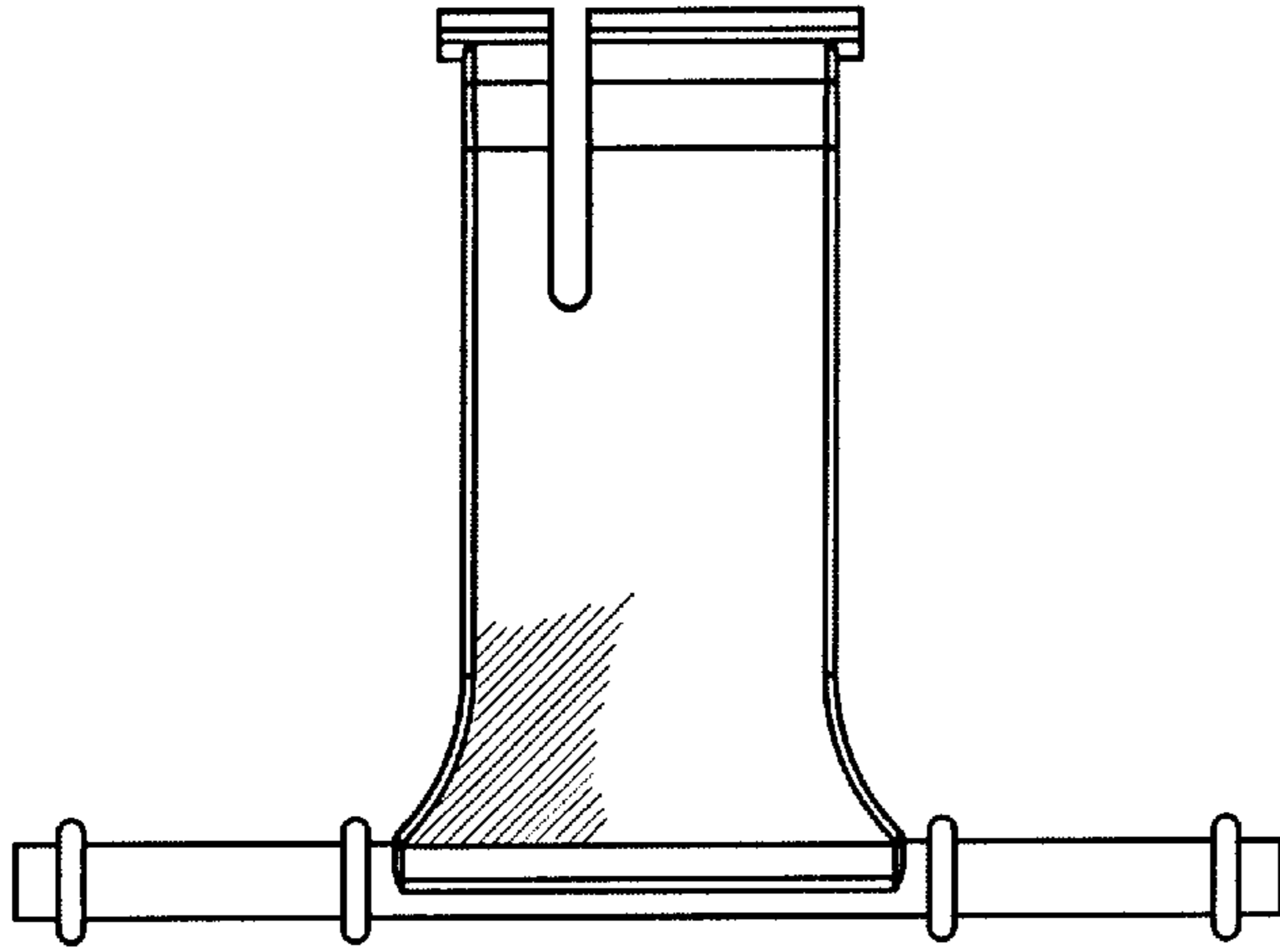


FIG. 10

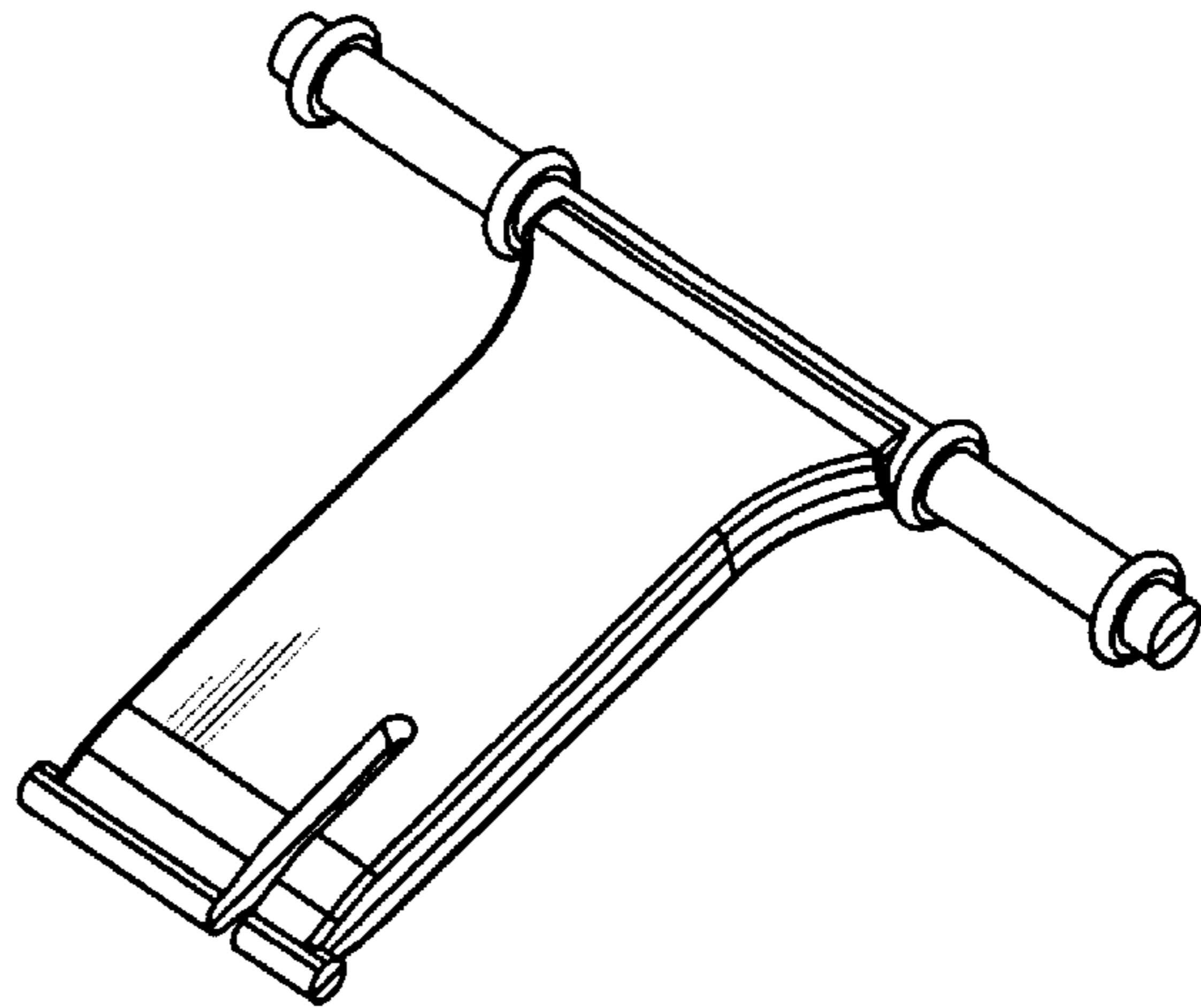


FIG. 9

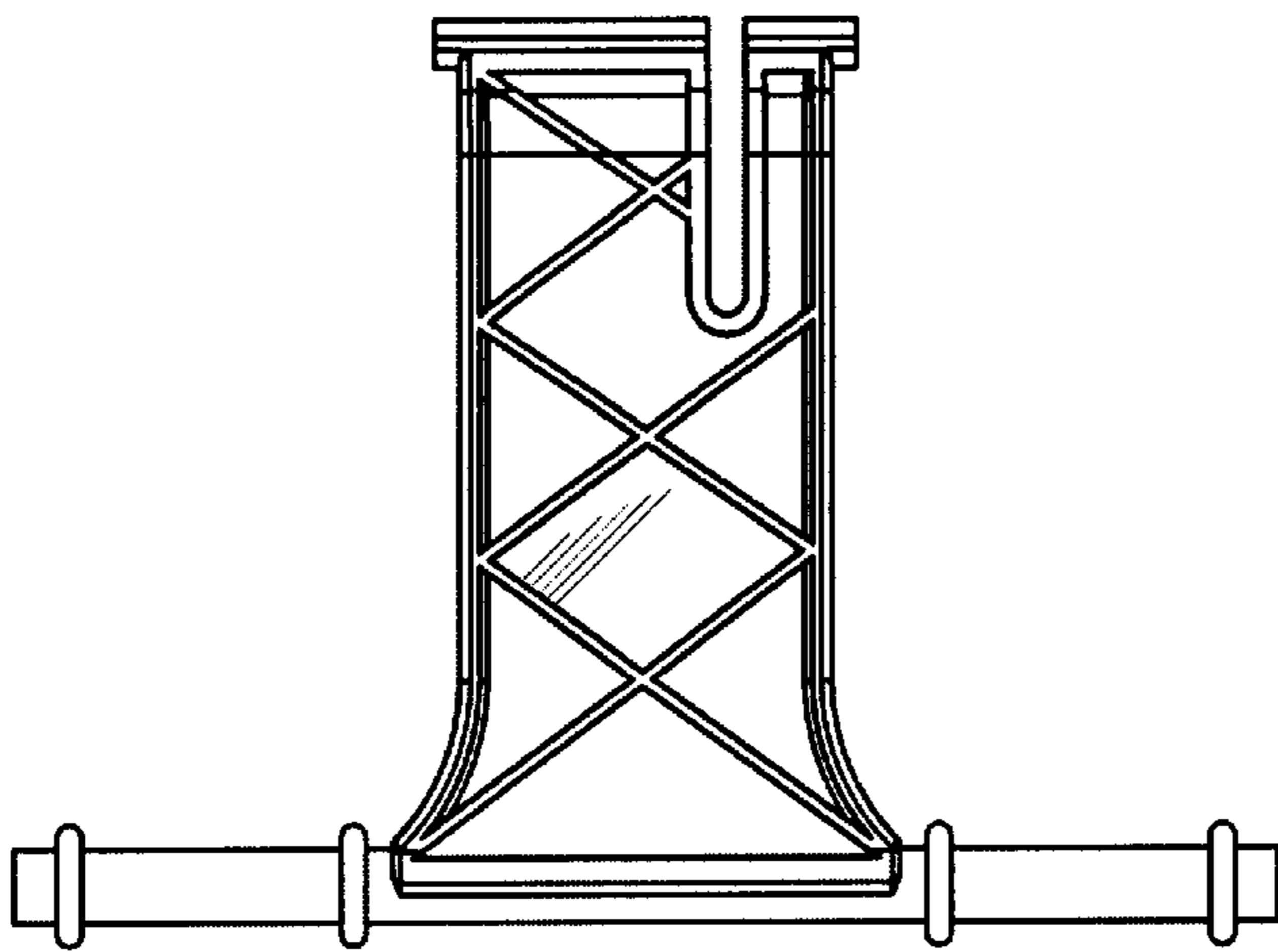




FIG. 11

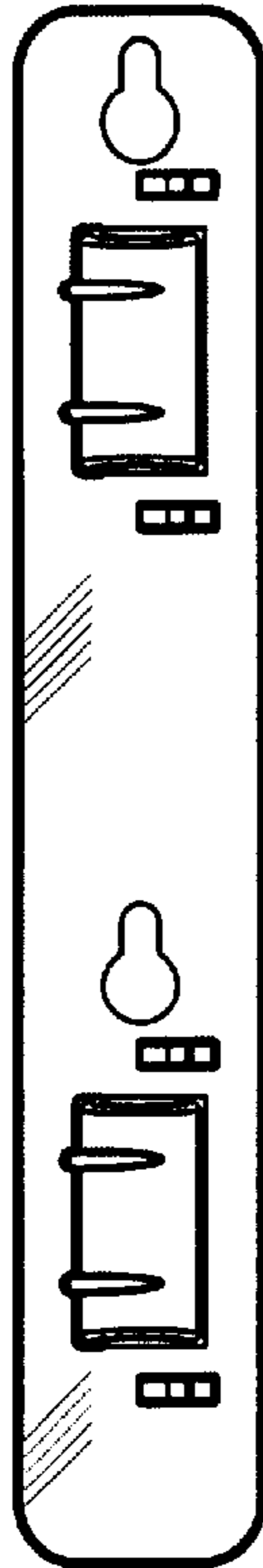


FIG. 12

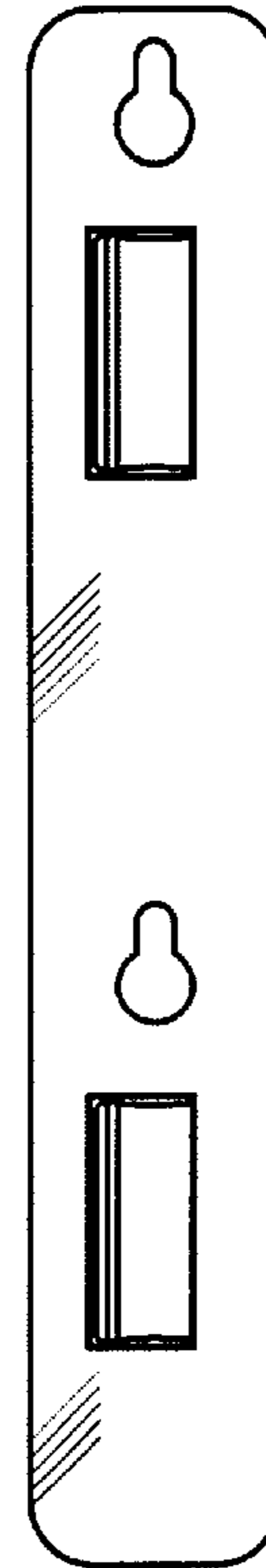


FIG. 13

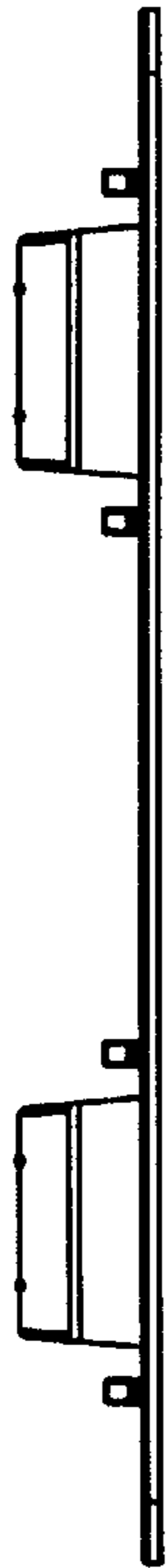


FIG. 14

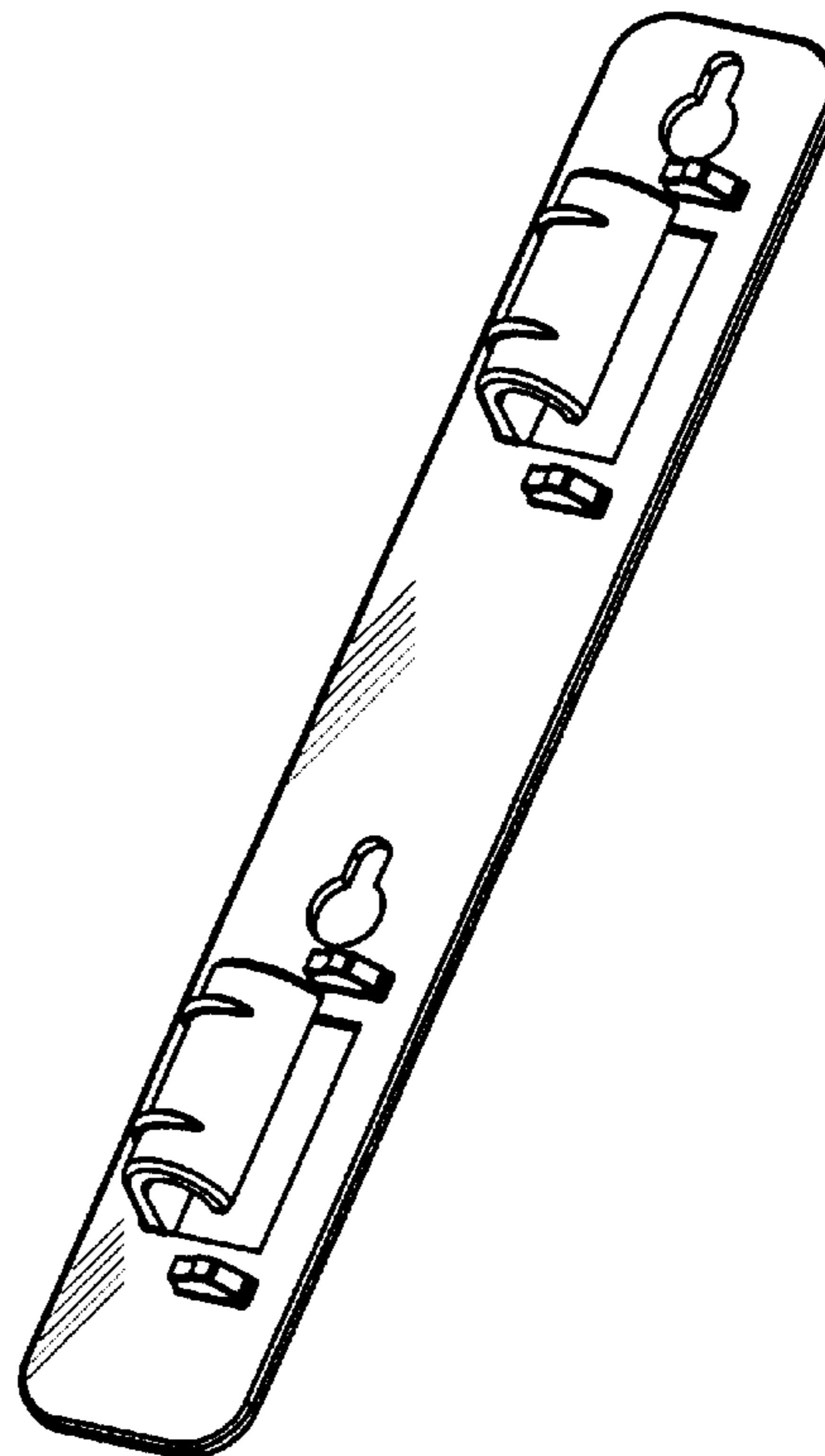


FIG. 15

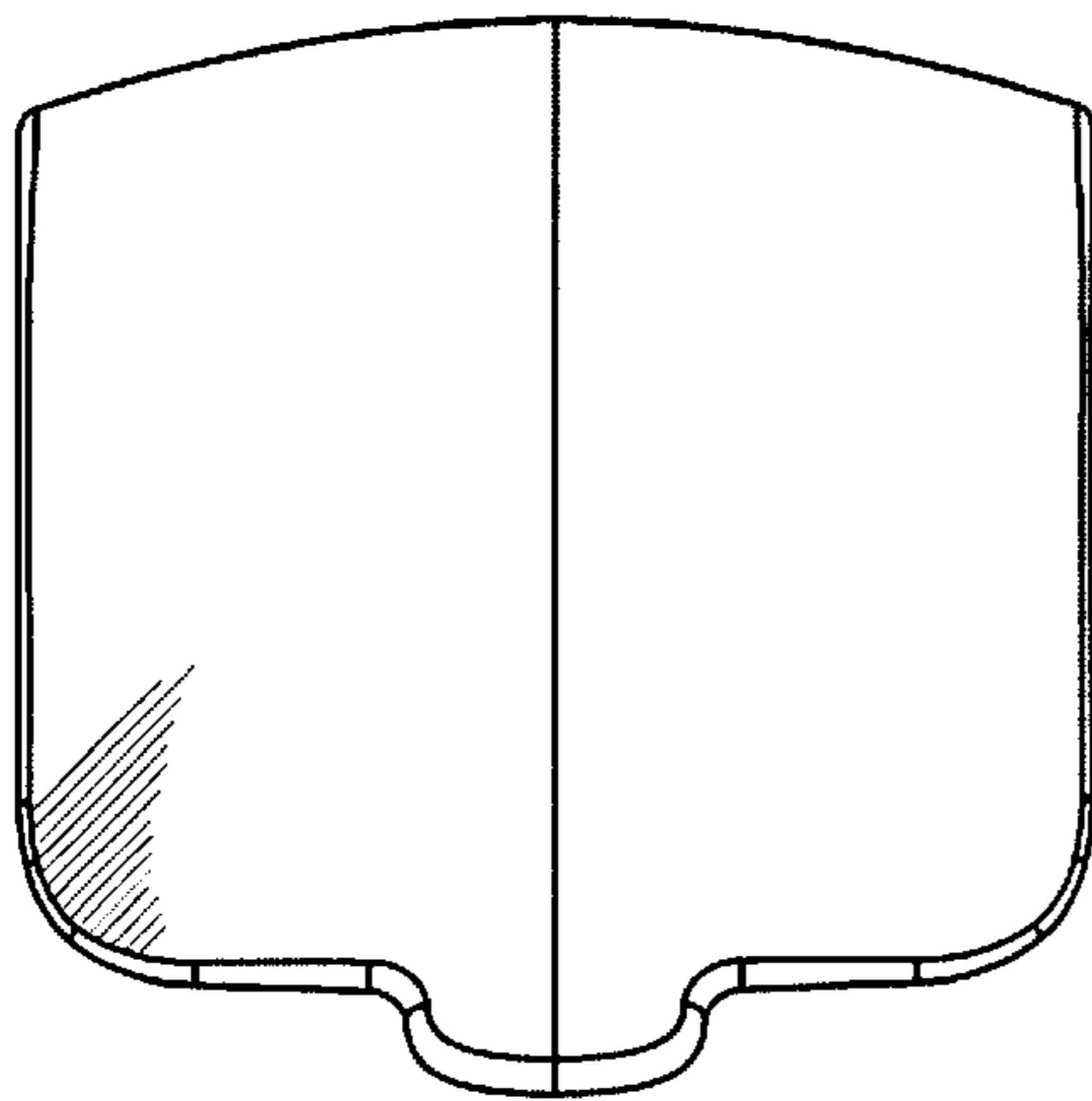


FIG. 16

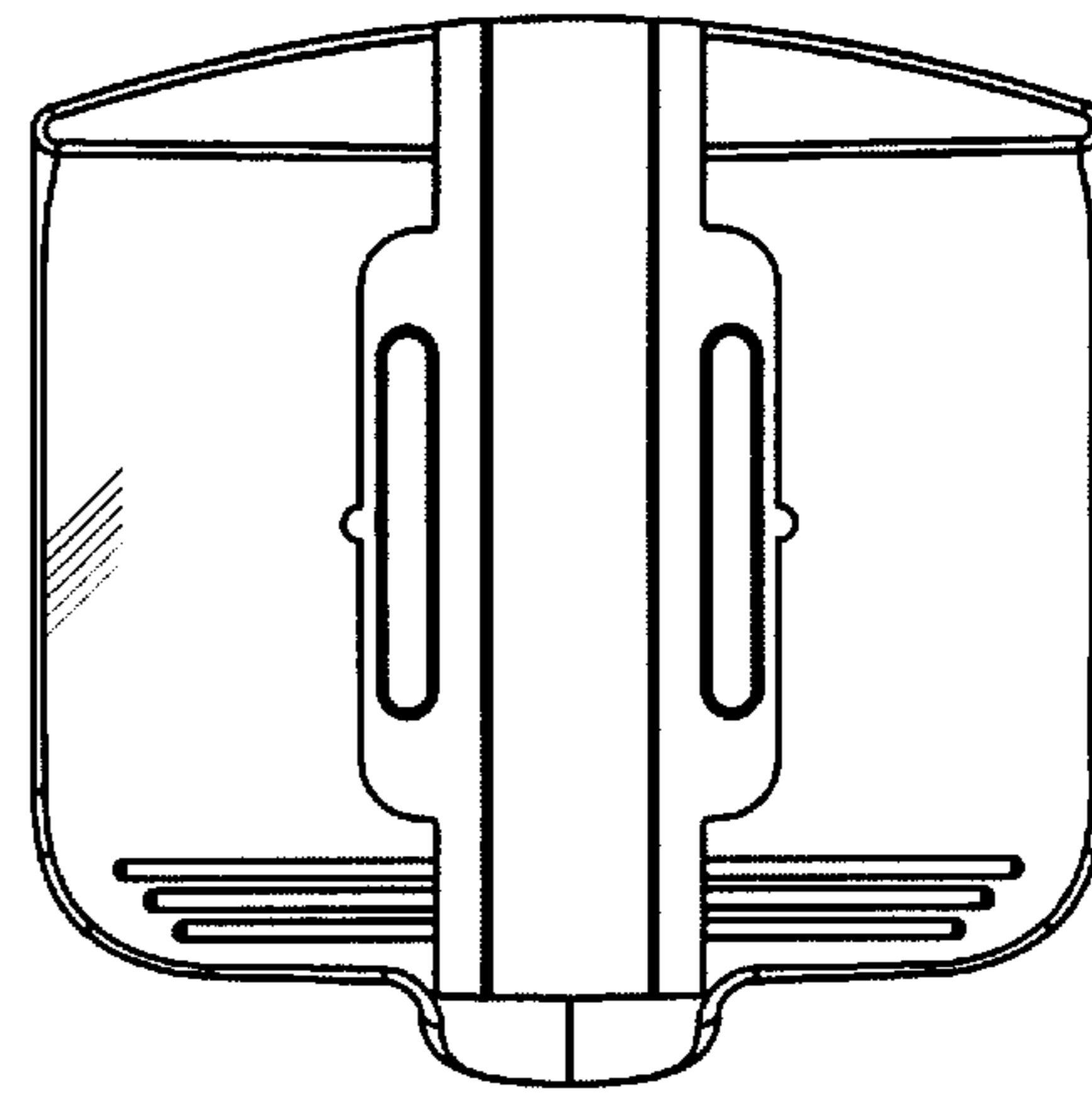


FIG. 17

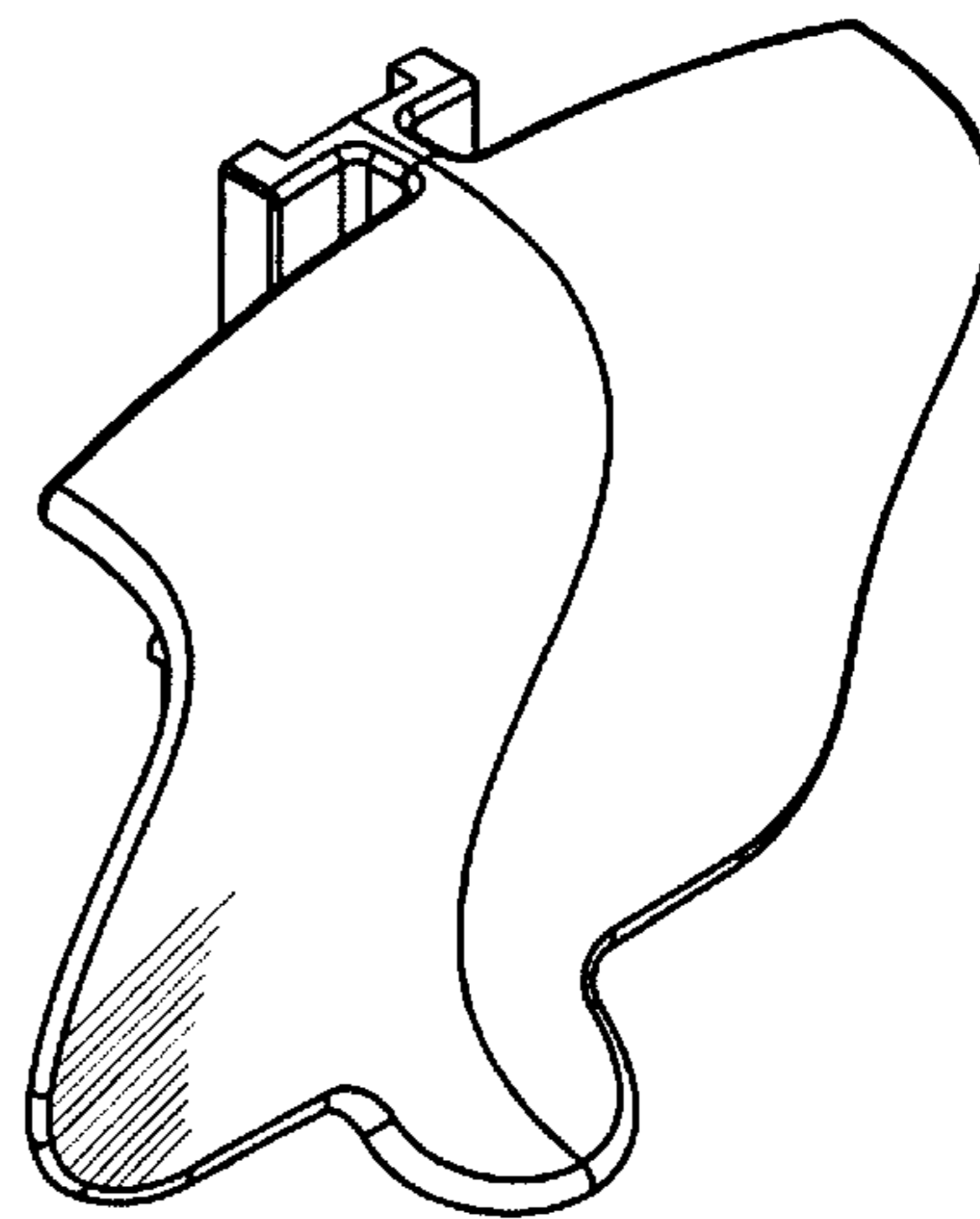


FIG. 18

