



US00D502037S

(12) **United States Design Patent**
Nien

(10) **Patent No.:** **US D502,037 S**

(45) **Date of Patent:** **** Feb. 22, 2005**

(54) **HEAD RAIL FOR WINDOW BLIND**

D361,010 S * 8/1995 Hebsgaard D6/580
D488,945 S * 4/2004 Bibby et al. D6/580

(75) Inventor: **Ming Nien**, Changhua Hsien (TW)

* cited by examiner

(73) Assignee: **Nien Made Enterprise Co., Ltd.**,
Taichung (TW)

Primary Examiner—Holly Baynham

(74) *Attorney, Agent, or Firm*—Bacon & Thomas, PLLC

(**) Term: **14 Years**

(57) **CLAIM**

(21) Appl. No.: **29/201,385**

The ornamental design for “head rail for window blind,” as shown.

(22) Filed: **Mar. 16, 2004**

DESCRIPTION

(51) **LOC (7) Cl.** **06-10**

FIG. 1 shows a perspective view of the present design.

(52) **U.S. Cl.** **D6/580**

FIG. 2 shows a right side elevational view of the present design.

(58) **Field of Search** D6/580; D25/119–123;
160/349.1, 349.2; 52/782.2

FIG. 3 shows a top plan view of the present design.

FIG. 4 shows a front elevational view of the present design.

FIG. 5 shows a bottom plan view of the present design.

FIG. 6 shows a left side elevational view of the present design; and,

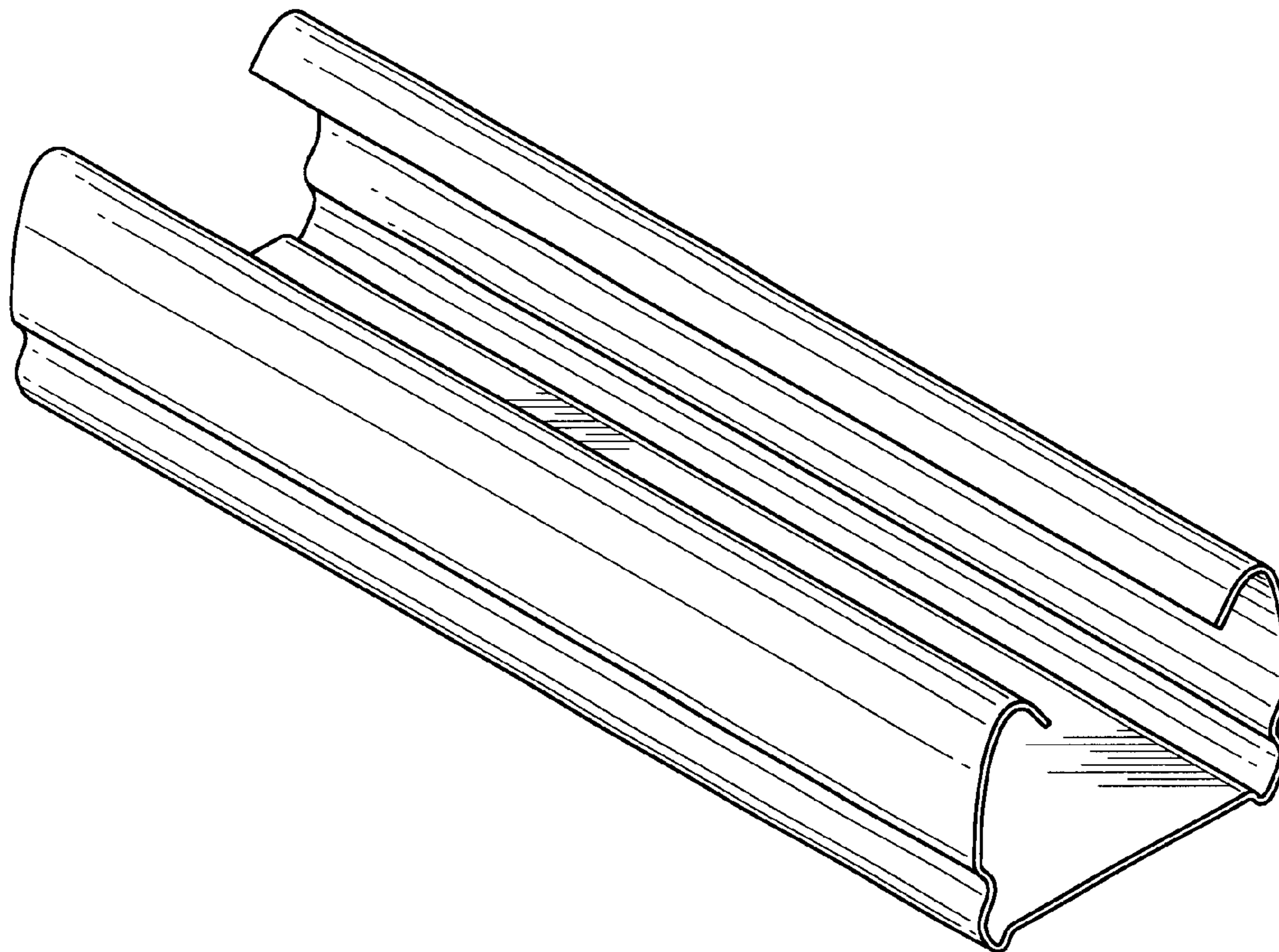
FIG. 7 shows a rear elevational view of the present design.

(56) **References Cited**

U.S. PATENT DOCUMENTS

D199,024 S * 9/1964 Huret D25/123
D200,702 S * 3/1965 Huret D25/121
D210,519 S * 3/1968 Kusel et al. D25/121

1 Claim, 3 Drawing Sheets



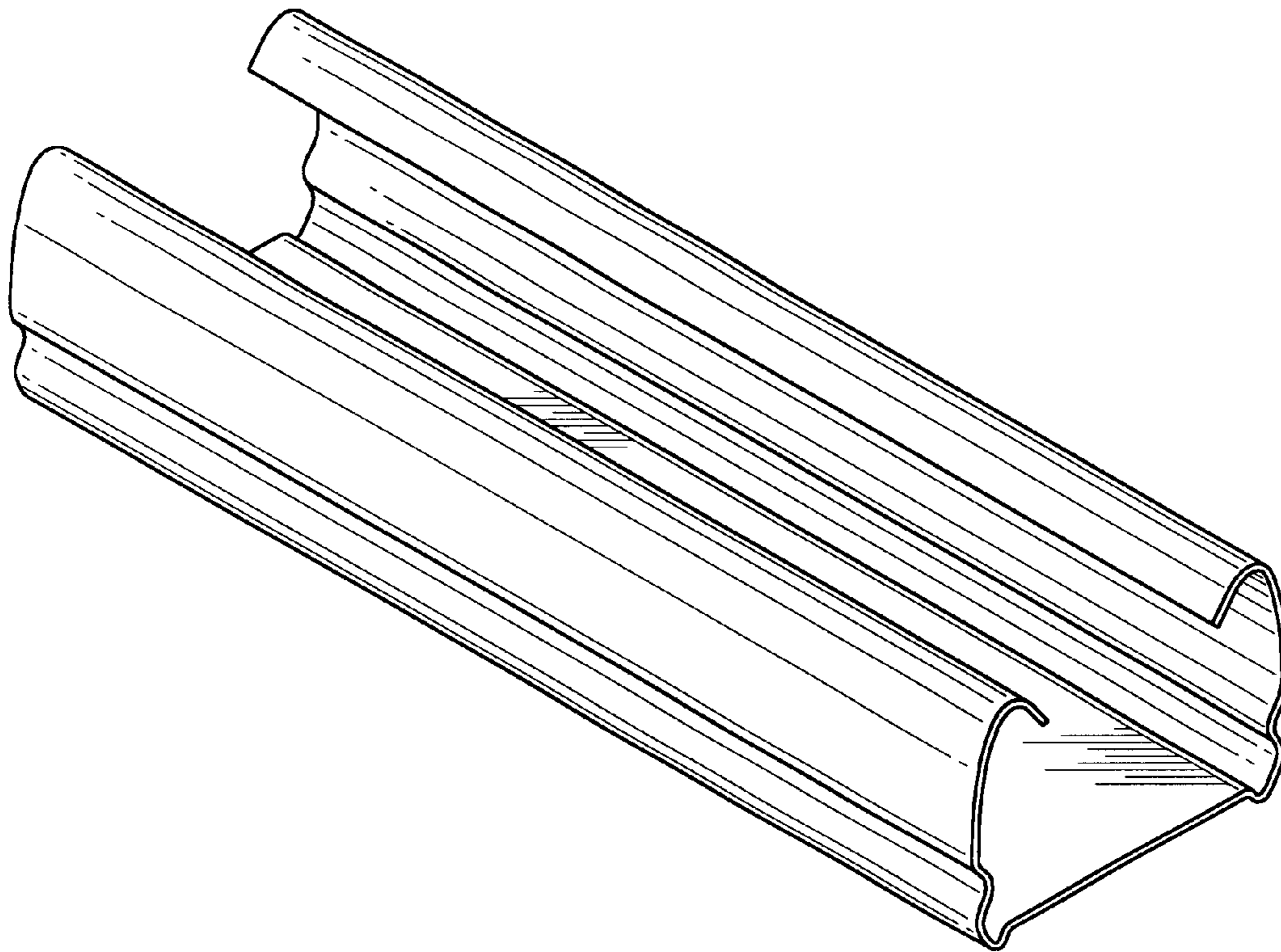


FIG. 1

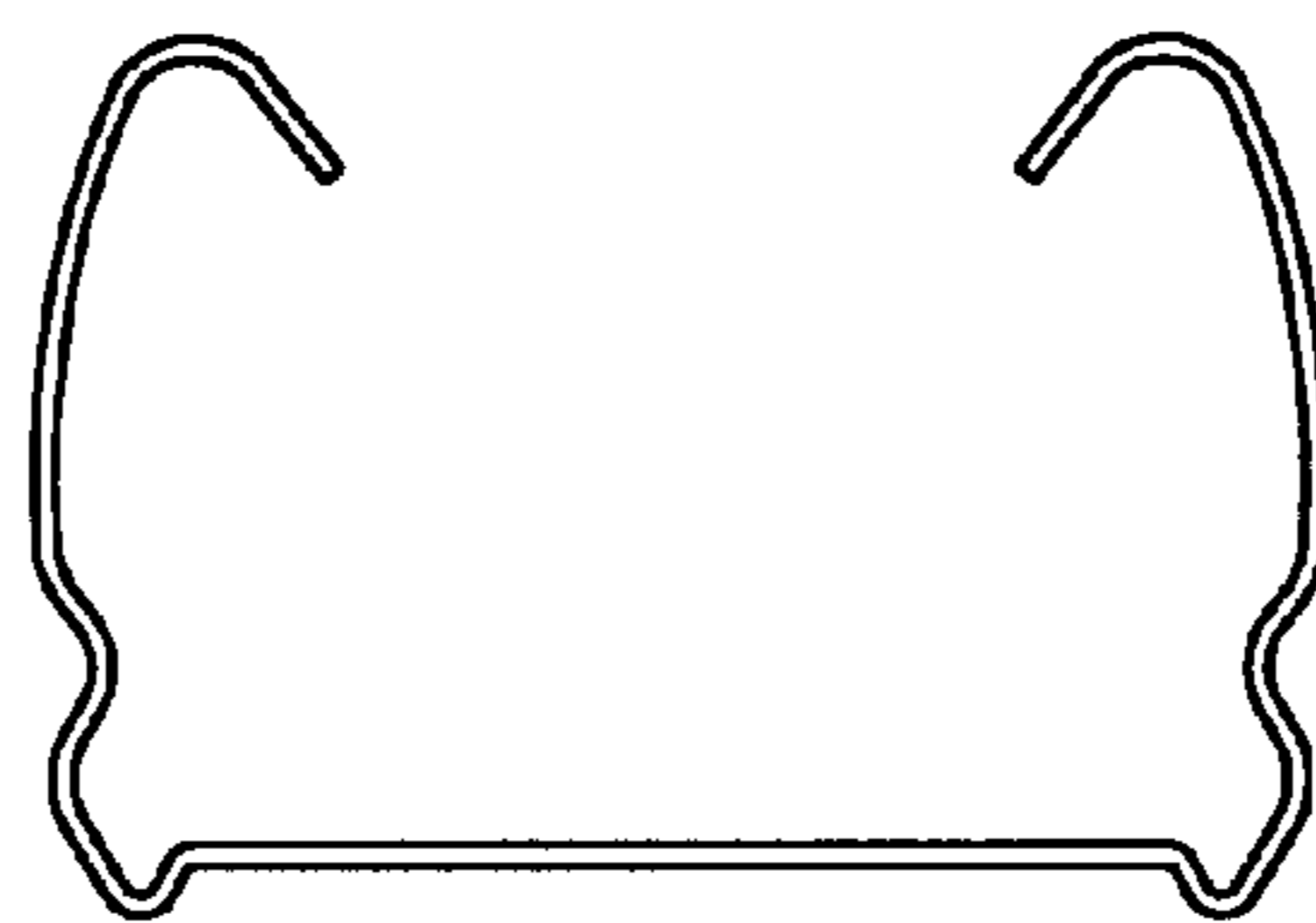


FIG. 2

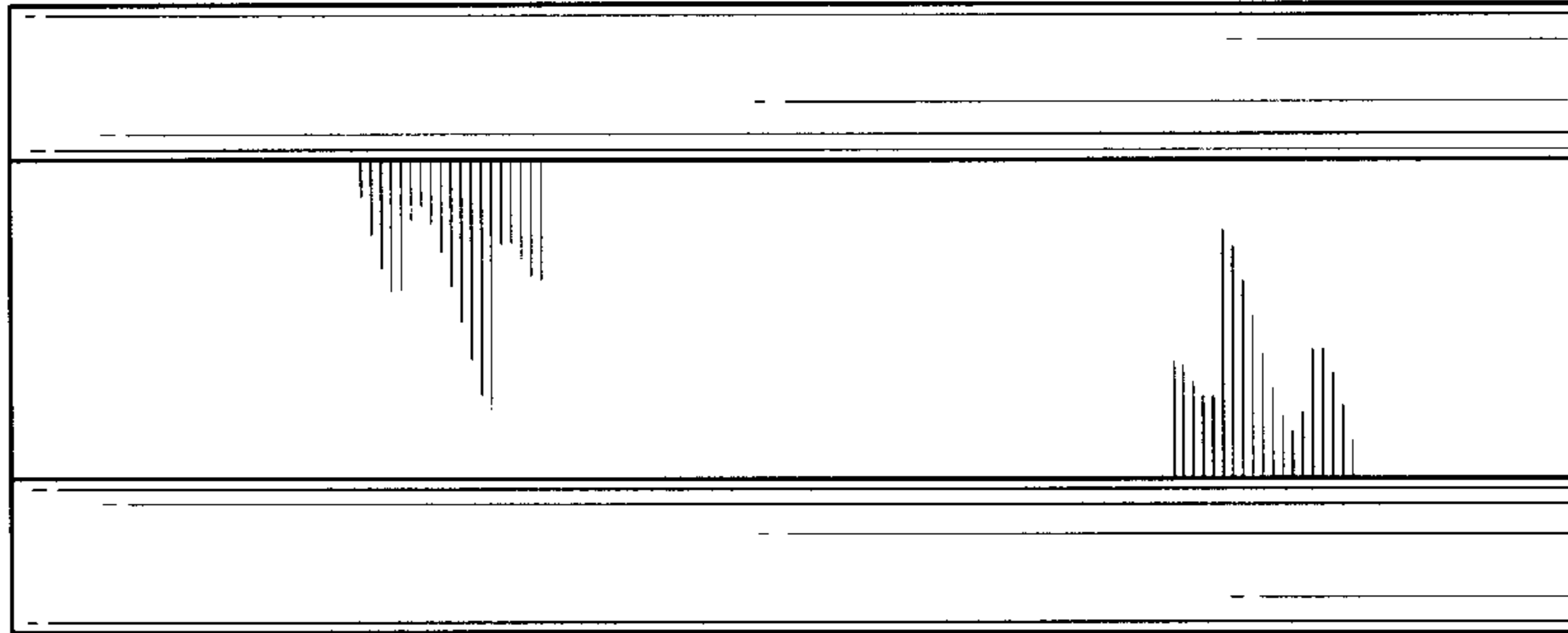


FIG. 3

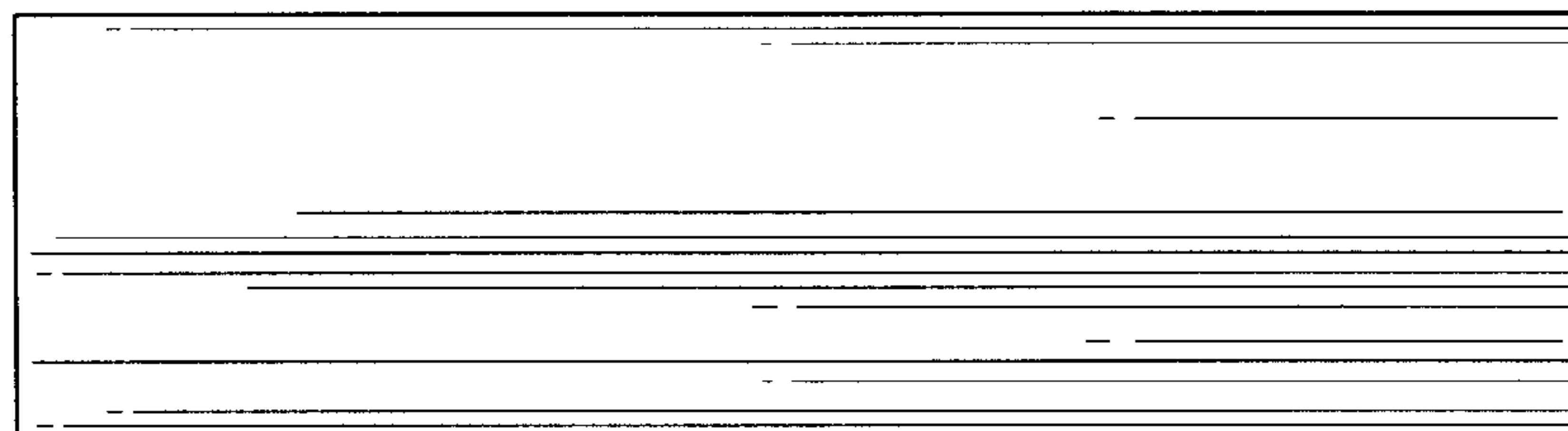


FIG. 4

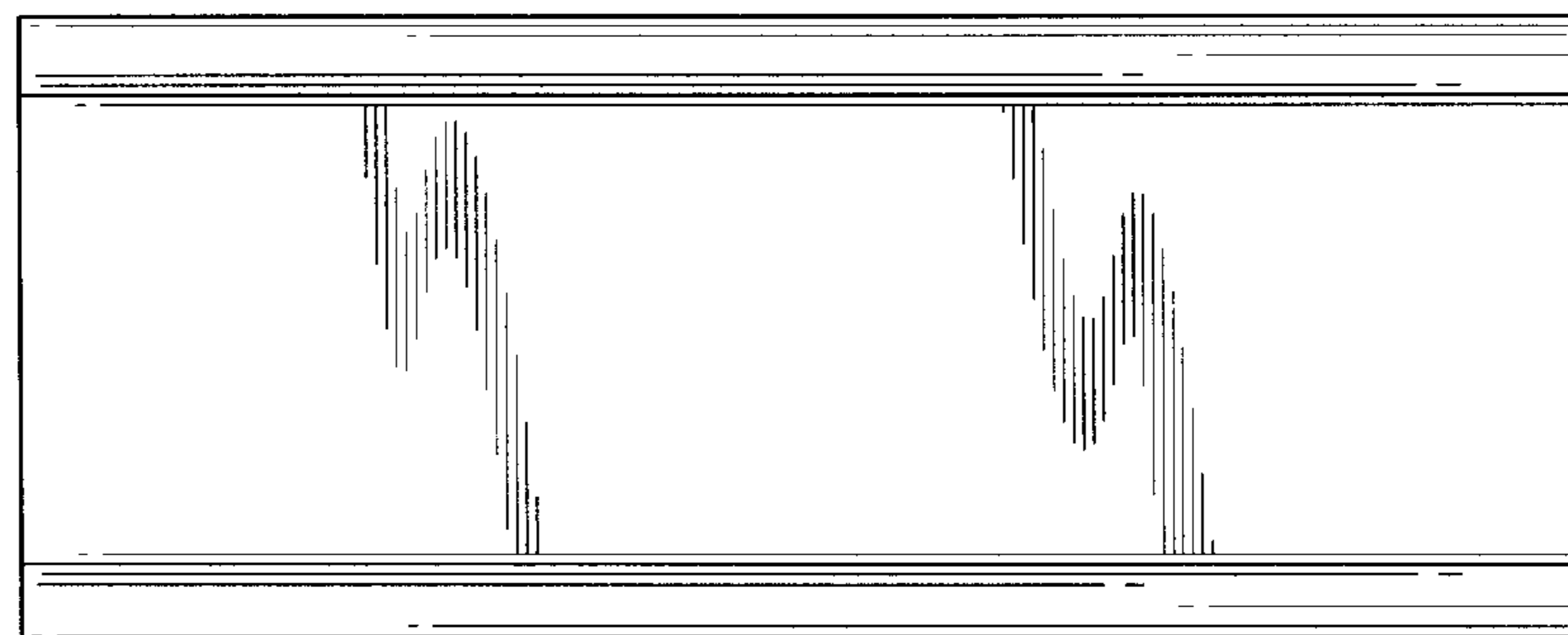


FIG. 5

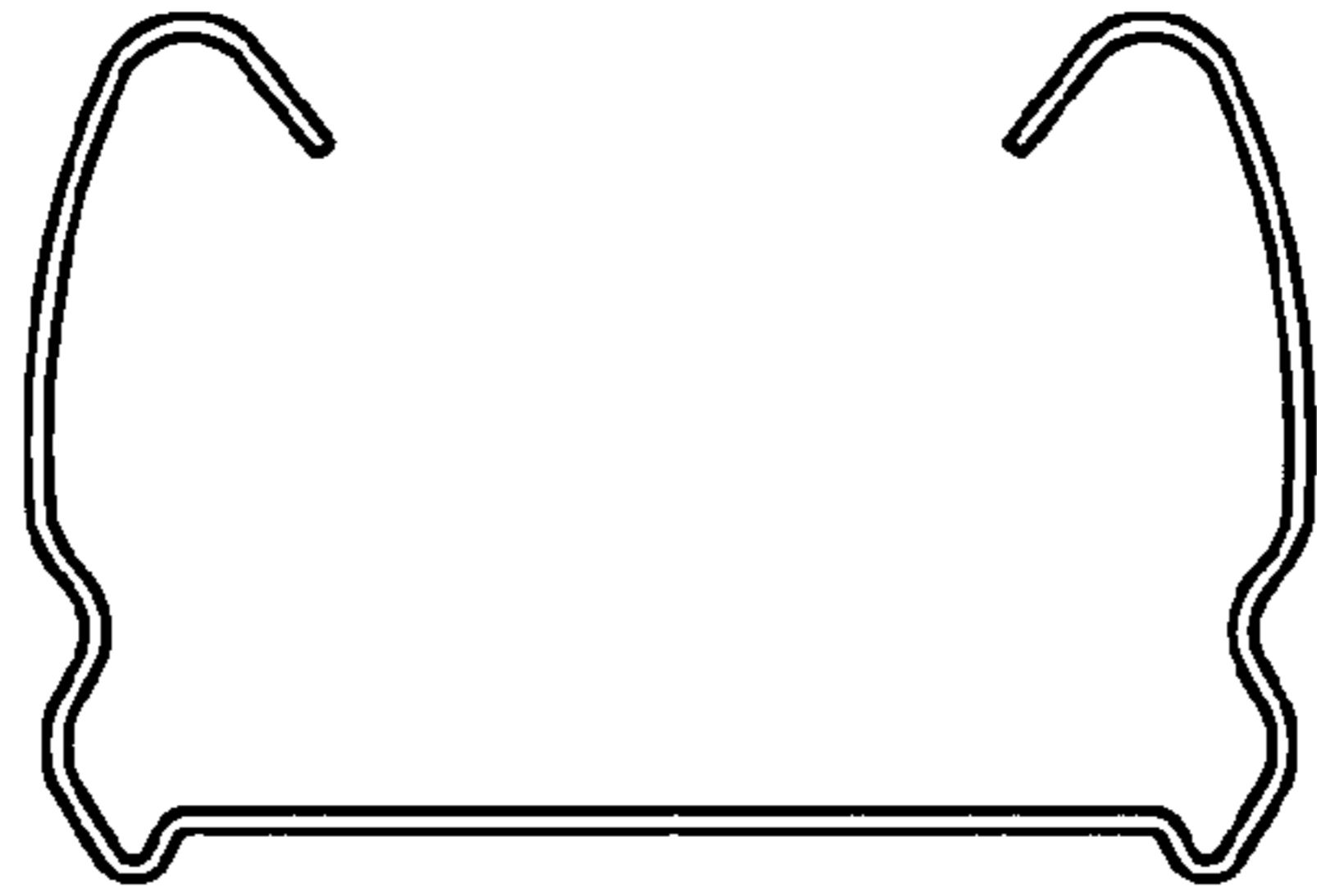


FIG. 6

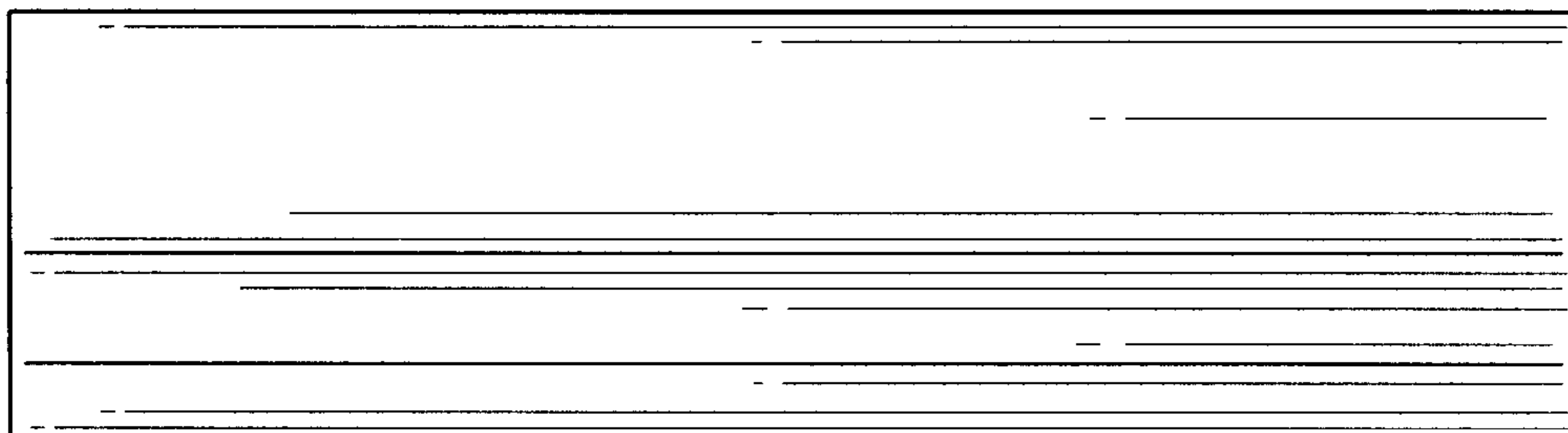


FIG. 7