

US00D502034S

(12) **United States Design Patent**
Marcy

(10) **Patent No.:** **US D502,034 S**

(45) **Date of Patent:** **** Feb. 22, 2005**

(54) **MOUNTABLE DISPLAY**

(76) **Inventor:** **Scott Thomas Marcy**, 9238 E. Madero,
Mesa, AZ (US) 85212

(**) **Term:** **14 Years**

(21) **Appl. No.:** **29/193,719**

(22) **Filed:** **Nov. 12, 2003**

(51) **LOC (7) Cl.** **06-04**

(52) **U.S. Cl.** **D6/574**

(58) **Field of Search** D6/553, 567, 574;
108/151-152; 211/86.01, 88.01, 90.01,
90.04, 126.1, 134; 248/201

(56) **References Cited**

U.S. PATENT DOCUMENTS

5,560,500 A	*	10/1996	Wilcox	211/87.01
D391,795 S	*	3/1998	Pellerin	D6/574
D429,919 S	*	8/2000	Kornacki	D6/450

* cited by examiner

Primary Examiner—Brian N Vinson

(74) *Attorney, Agent, or Firm*—Brinks Hofer Gilson &
Lione; Gregory H. Zayia

(57) **CLAIM**

The ornamental design for a mountable display, as shown and described.

DESCRIPTION

FIG. 1 is a perspective view of a mountable display showing my new design, the broken-line disclosure being for illustrative purposes only and forming no part of the claimed design.

FIG. 2 is a left side view of the mountable display shown in FIG. 1.

FIG. 3 is a right side view of the mountable display shown in FIG. 1.

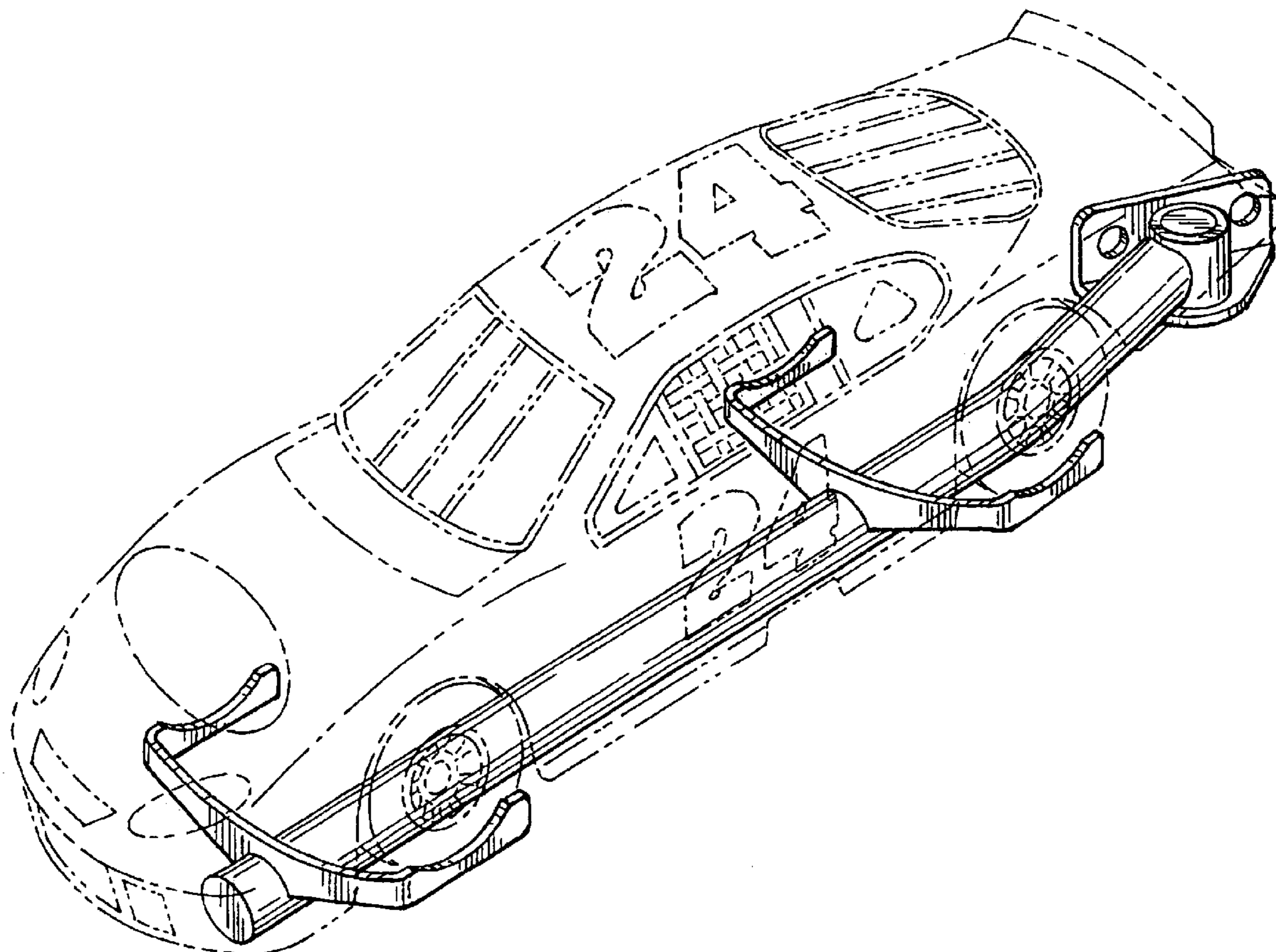
FIG. 4 is a front view of the mountable display shown in FIG. 1.

FIG. 5 is a rear view of the mountable display shown in FIG. 1.

FIG. 6 is a top view of the mountable display shown in FIG. 1; and,

FIG. 7 is a bottom view of the mountable display shown in FIG. 1.

1 Claim, 3 Drawing Sheets



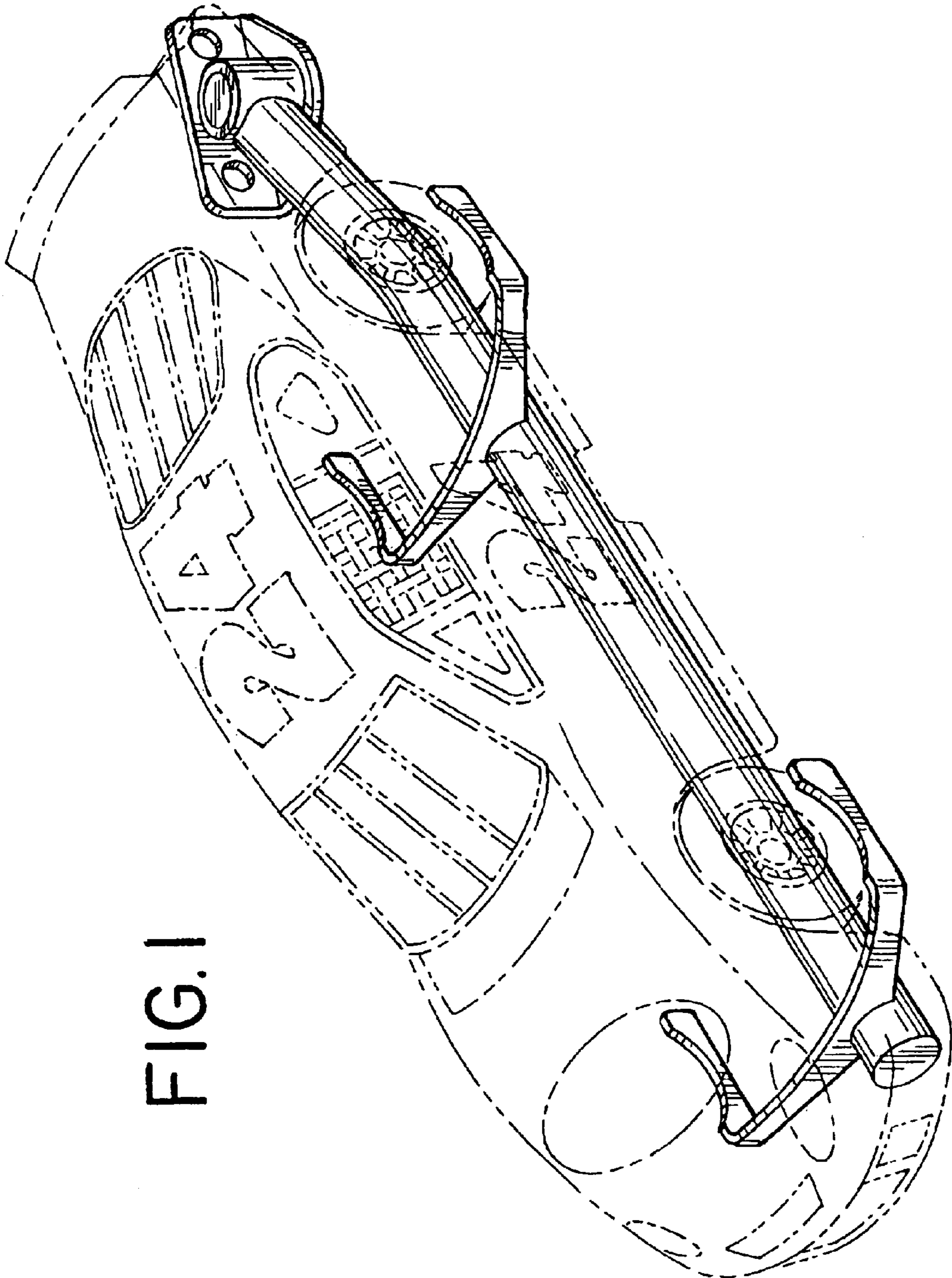


FIG. 1

FIG. 2

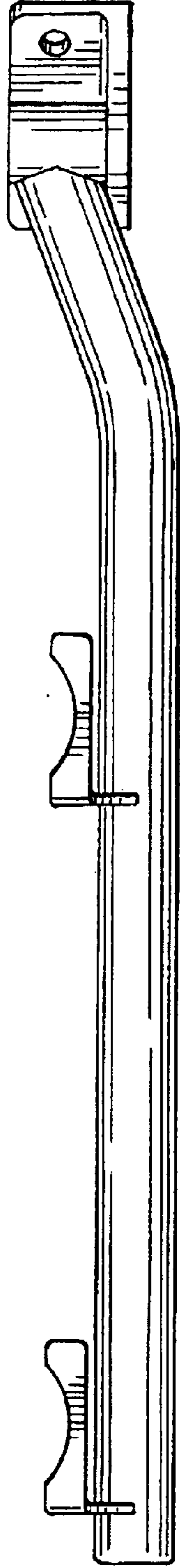


FIG. 3

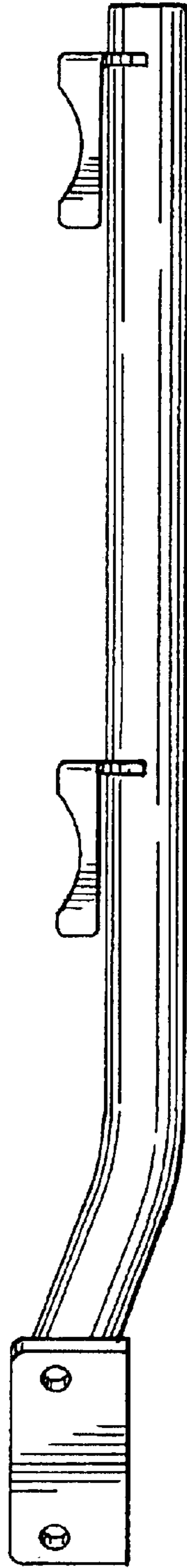


FIG. 4

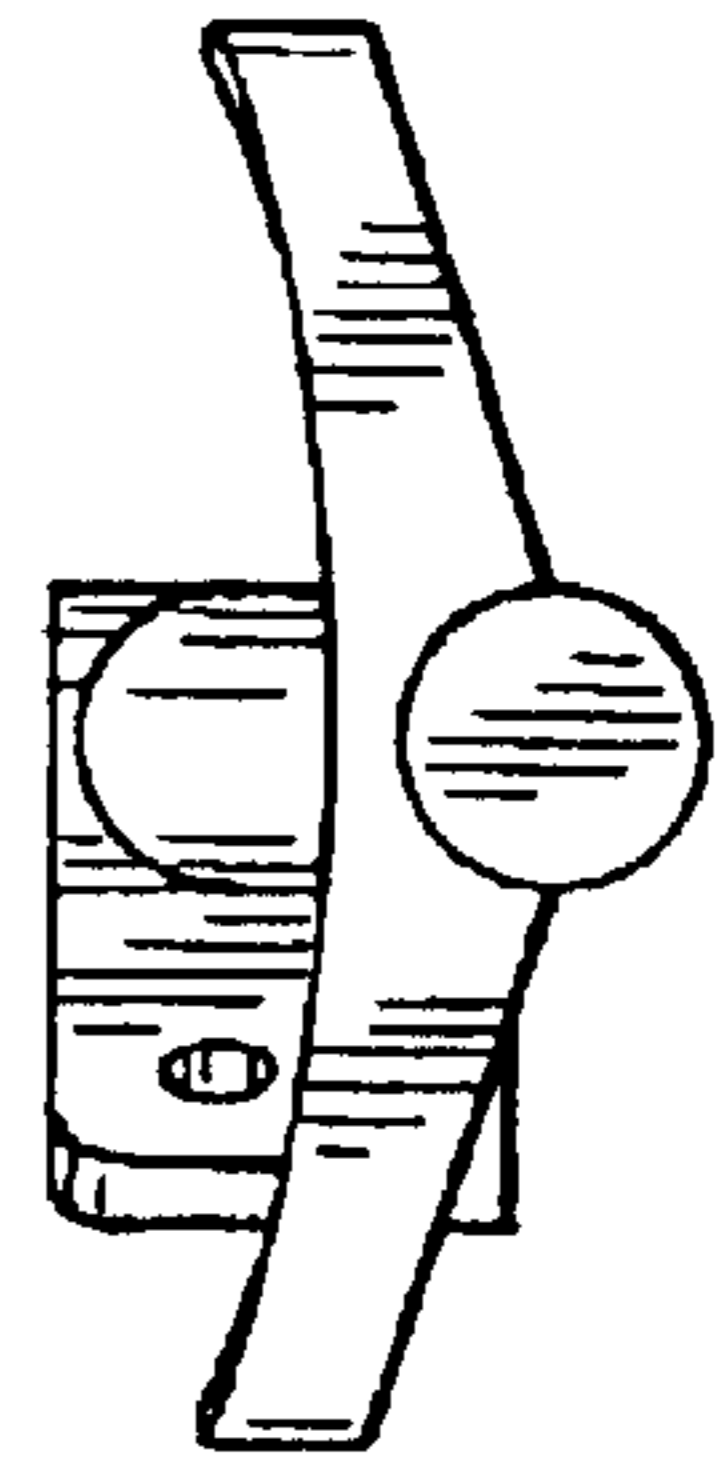


FIG. 5

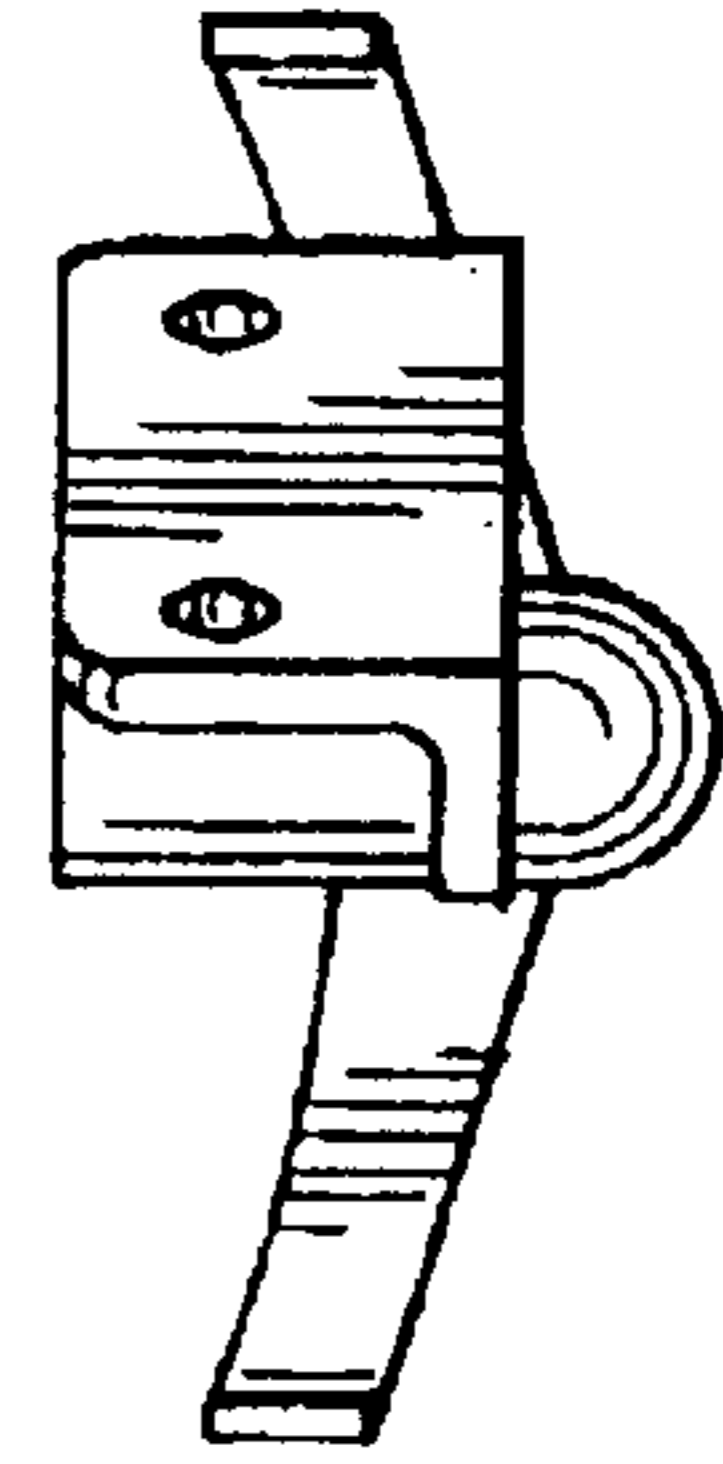


FIG.6

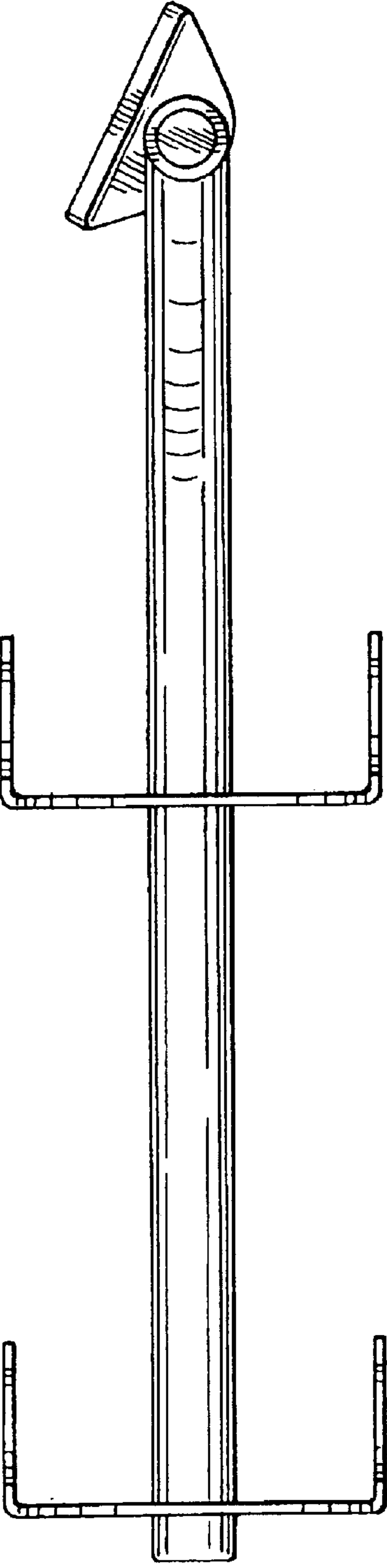


FIG.7

