

US00D502026S

(12) **United States Design Patent** (10) **Patent No.:** **US D502,026 S**
Klein (45) **Date of Patent:** **** Feb. 22, 2005**

(54) **TREE-SHAPED ORNAMENT DISPLAY RACK**

(76) **Inventor:** **Werner Klein**, 9114 NE. 142nd Way,
Bothell, WA (US) 98011

(**) **Term:** **14 Years**

(21) **Appl. No.:** **29/197,829**

(22) **Filed:** **Jan. 20, 2004**

(51) **LOC (7) Cl.** **06-04**

(52) **U.S. Cl.** **D6/450**

(58) **Field of Search** D6/396, 397, 450,
D6/457, 458, 462, 466-468, 476; D11/118,
121, 124, 130; 211/13.1, 85.2, 85.9, 85.31,
181.1, 205; 428/7, 12, 18, 19

5,338,585 A 8/1994 Fraus et al.
D354,454 S * 1/1995 Vernon D11/121
5,639,521 A 6/1997 Fraus et al.
D387,303 S * 12/1997 Hansen D11/118
D427,935 S 7/2000 Anderson et al.
D438,729 S * 3/2001 Sikora D6/450

* cited by examiner

Primary Examiner—Stacia Cadmus

Assistant Examiner—Mimosa De

(74) *Attorney, Agent, or Firm*—Graybeal Jackson Haley
LLP

(57) **CLAIM**

The ornamental design for a tree-shaped ornament display
rack, as shown and described.

DESCRIPTION

FIG. 1 is a perspective view of a first embodiment of the rack
with open branching, a base, and pegs shown in dashed lines
as they are not a part of the design.;

FIG. 2 is a front view thereof;

FIG. 3 is a rear view thereof;

FIG. 4 is a left side view thereof;

FIG. 5 is a right side view thereof;

FIG. 6 is a top view thereof;

FIG. 7 is a bottom view thereof; and,

FIG. 8 is a perspective view of a second embodiment of the
rack with closed branching, no base, and hooks shown in
dashed lines as they are not a part of the design.

(56) **References Cited**

U.S. PATENT DOCUMENTS

D142,018 S * 8/1945 Campbell D6/450
D167,627 S * 9/1952 Hartman D6/450
D176,448 S * 12/1955 Cohen D6/450
D181,644 S * 12/1957 Handschin D11/118
2,864,192 A 12/1958 Shoalts
2,988,837 A * 6/1961 Hutton 428/19
D212,063 S * 8/1968 Cannon D6/450
D224,610 S * 8/1972 Dustman D6/450
D231,838 S * 6/1974 Kors D11/130
4,543,278 A 9/1985 Ackerman
4,612,218 A 9/1986 Enerline
D307,987 S * 5/1990 Bustos D6/450
D325,134 S * 4/1992 Bustos D6/450

1 Claim, 5 Drawing Sheets

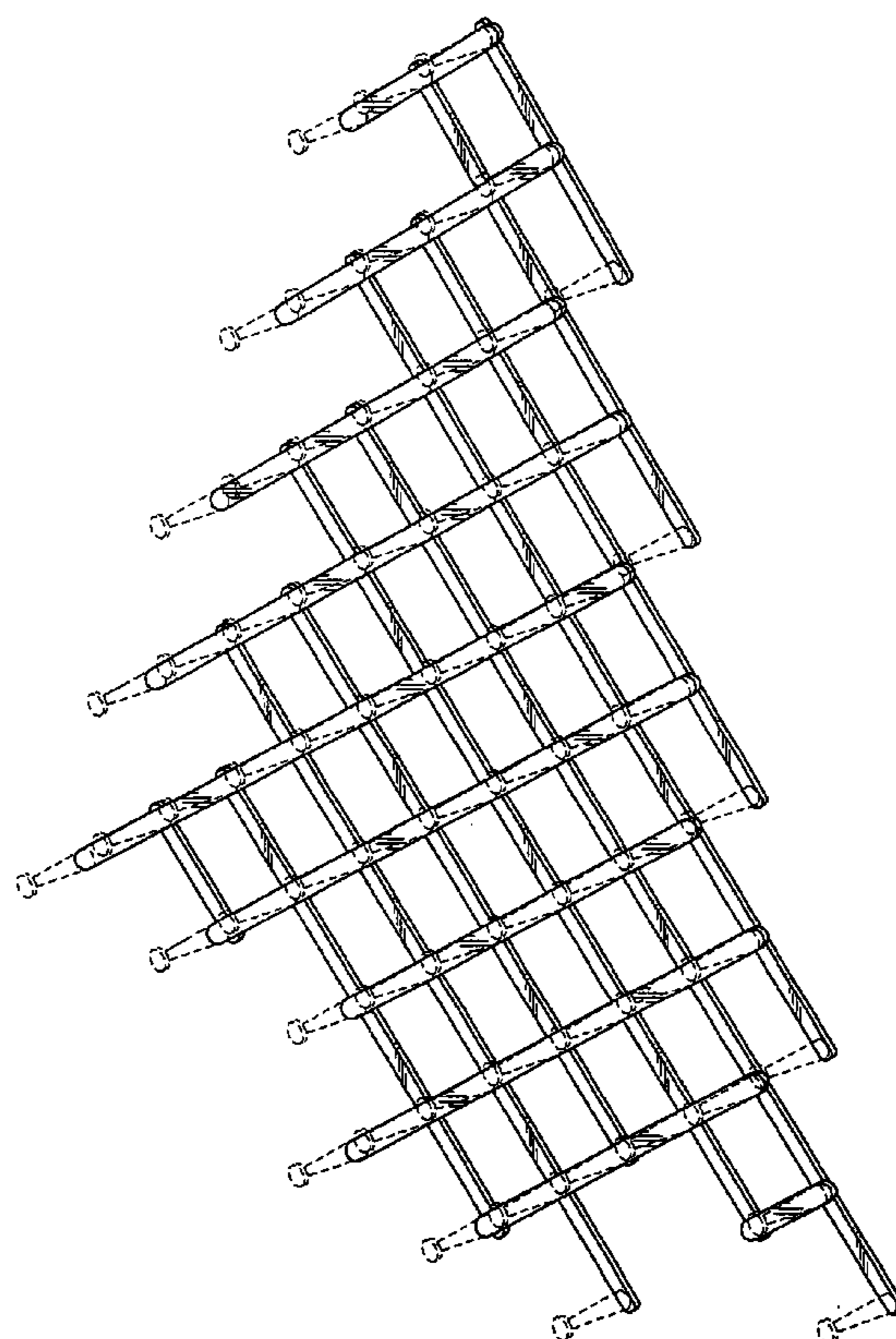


FIG. 1

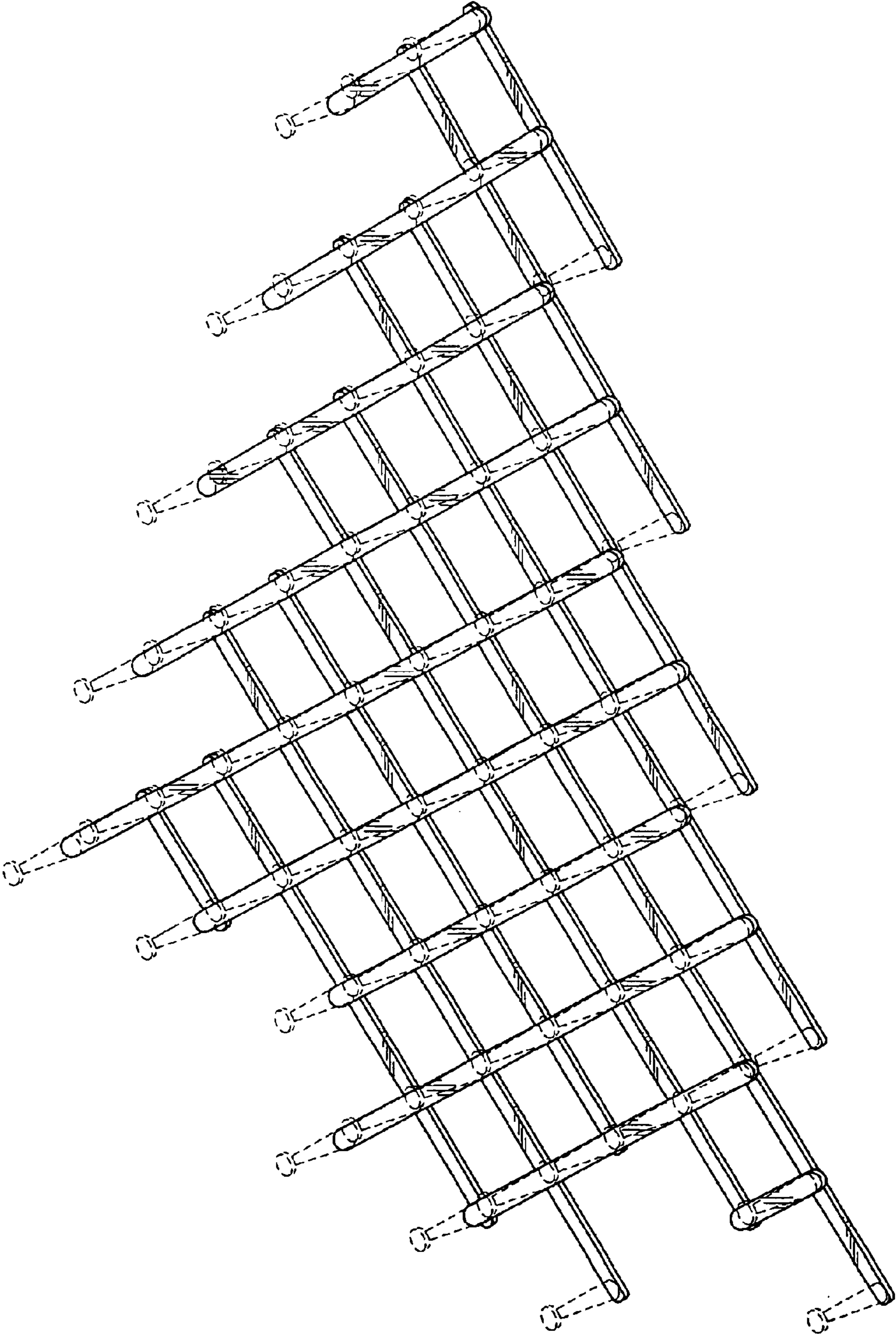


FIG. 6

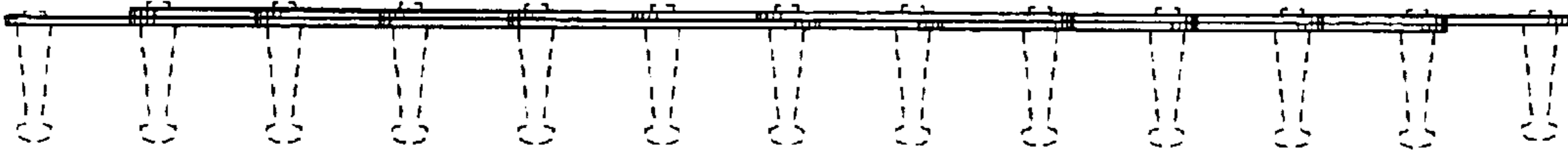


FIG. 2

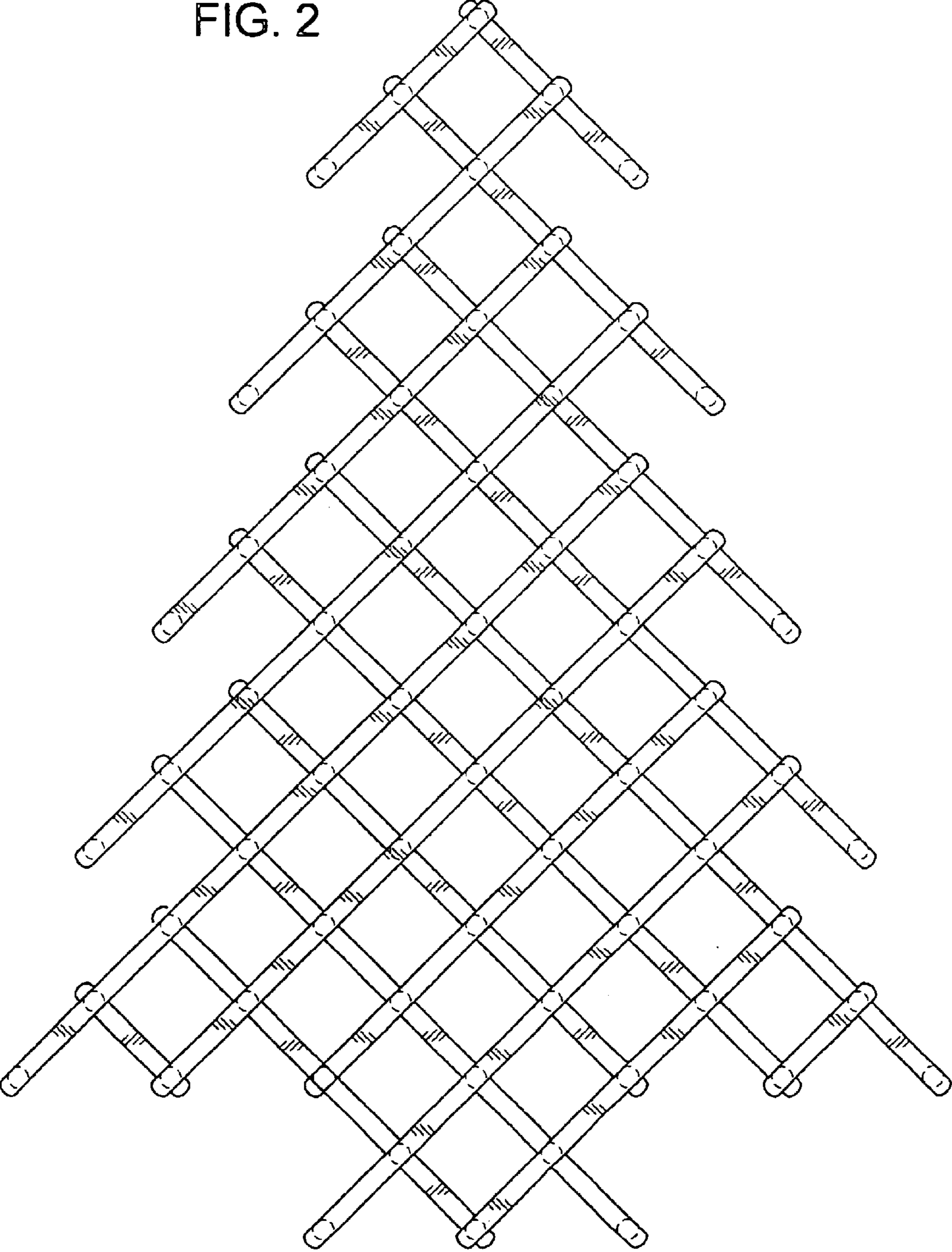


FIG. 3

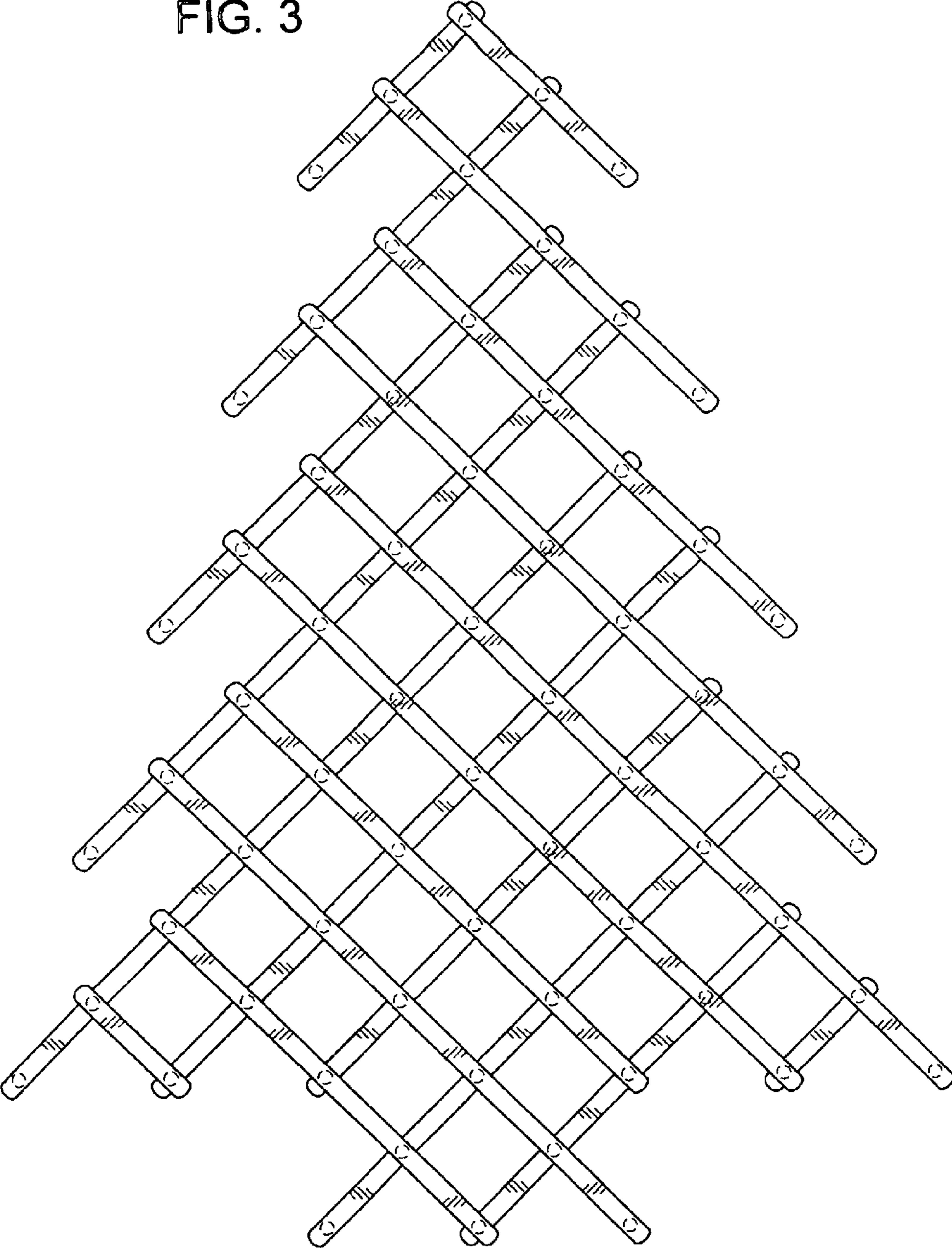


FIG. 7



FIG. 4

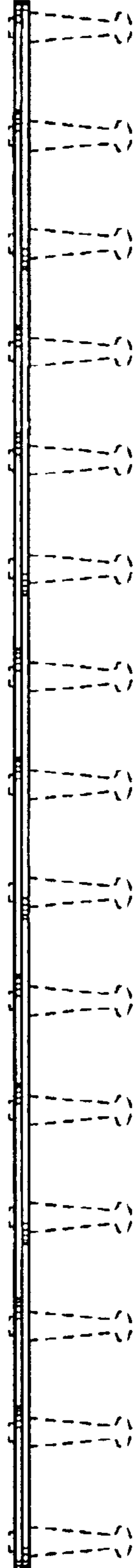


FIG. 5

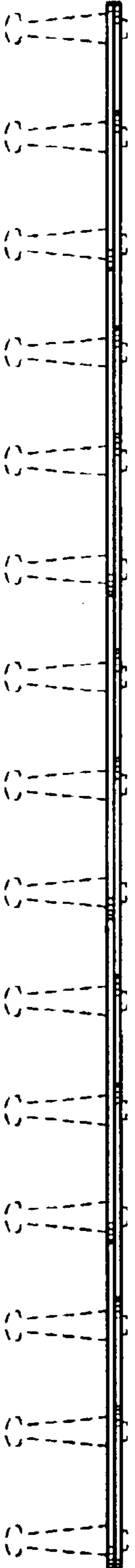


FIG. 8

