

US00D502022S

(12) **United States Design Patent**  
**Jirele**

(10) **Patent No.:** **US D502,022 S**  
(45) **Date of Patent:** **\*\* Feb. 22, 2005**

(54) **MODULAR STAGE PROP**  
(75) Inventor: **Scott Edward Jirele**, Owatonna, MN (US)  
(73) Assignee: **Wenger Corporation**, Owatonna, MN (US)  
(\*\*) Term: **14 Years**  
(21) Appl. No.: **29/177,977**  
(22) Filed: **Mar. 19, 2003**  
(51) **LOC (7) Cl.** ..... **06-04**  
(52) **U.S. Cl.** ..... **D6/396; D6/449**  
(58) **Field of Search** ..... D6/300, 396, 397, D6/449, 466, 467; D11/155; D21/487, 499; 211/13.1, 72, 188, 189, 194; 248/346.01, 346.06, 346.4, 678; 434/403; 446/85

5,076,534 A \* 12/1991 Adam ..... 248/678  
5,121,877 A 6/1992 Bodary et al.  
5,154,678 A 10/1992 Adamczyk et al.  
5,176,596 A 1/1993 Ullman  
5,184,726 A 2/1993 Box  
5,339,979 A 8/1994 Box  
5,397,022 A 3/1995 Schäfer  
5,439,113 A 8/1995 Elvin-Jensen  
5,452,803 A 9/1995 Stromberg  
5,460,292 A 10/1995 Holman  
5,466,058 A 11/1995 Chan  
5,497,888 A \* 3/1996 Michaels et al. .... 211/189  
5,531,352 A 7/1996 Kraft et al.  
5,580,022 A \* 12/1996 Bach et al. .... 248/346.01  
6,193,340 B1 2/2001 Schenker et al.  
6,202,886 B1 3/2001 Schneider et al.  
6,209,742 B1 4/2001 Overholt et al.  
6,227,515 B1 \* 5/2001 Broyles ..... 248/678  
6,409,041 B1 6/2002 Overholt et al.  
D459,888 S 7/2002 Elvin-Jensen et al.

\* cited by examiner

(56) **References Cited**  
U.S. PATENT DOCUMENTS

1,403,196 A \* 1/1922 Rasely ..... 446/85  
2,278,894 A 4/1942 Paulson  
2,674,377 A \* 4/1954 Davidson ..... 211/72  
3,035,671 A 5/1962 Sicherman  
3,214,056 A 10/1965 Box  
3,235,263 A \* 2/1966 Smith ..... 434/403  
3,303,965 A 2/1967 Parker et al.  
3,331,529 A 7/1967 Slapnik  
3,680,735 A 8/1972 Lucas  
3,713,620 A \* 1/1973 Tkach ..... 248/678  
4,103,857 A \* 8/1978 Levenhagen ..... 248/346.4  
4,197,958 A 4/1980 Zeni et al.  
4,322,118 A 3/1982 Shugart  
4,775,069 A 10/1988 Stonier  
4,813,542 A 3/1989 Thompson et al.  
4,819,822 A 4/1989 Box  
5,042,674 A 8/1991 Ramsay et al.  
5,050,861 A 9/1991 Thomas et al.

*Primary Examiner*—Stacia Cadmus  
*Assistant Examiner*—Mimosa De  
(74) *Attorney, Agent, or Firm*—Patterson, Thuente, Skaar & Christensen, P.A.

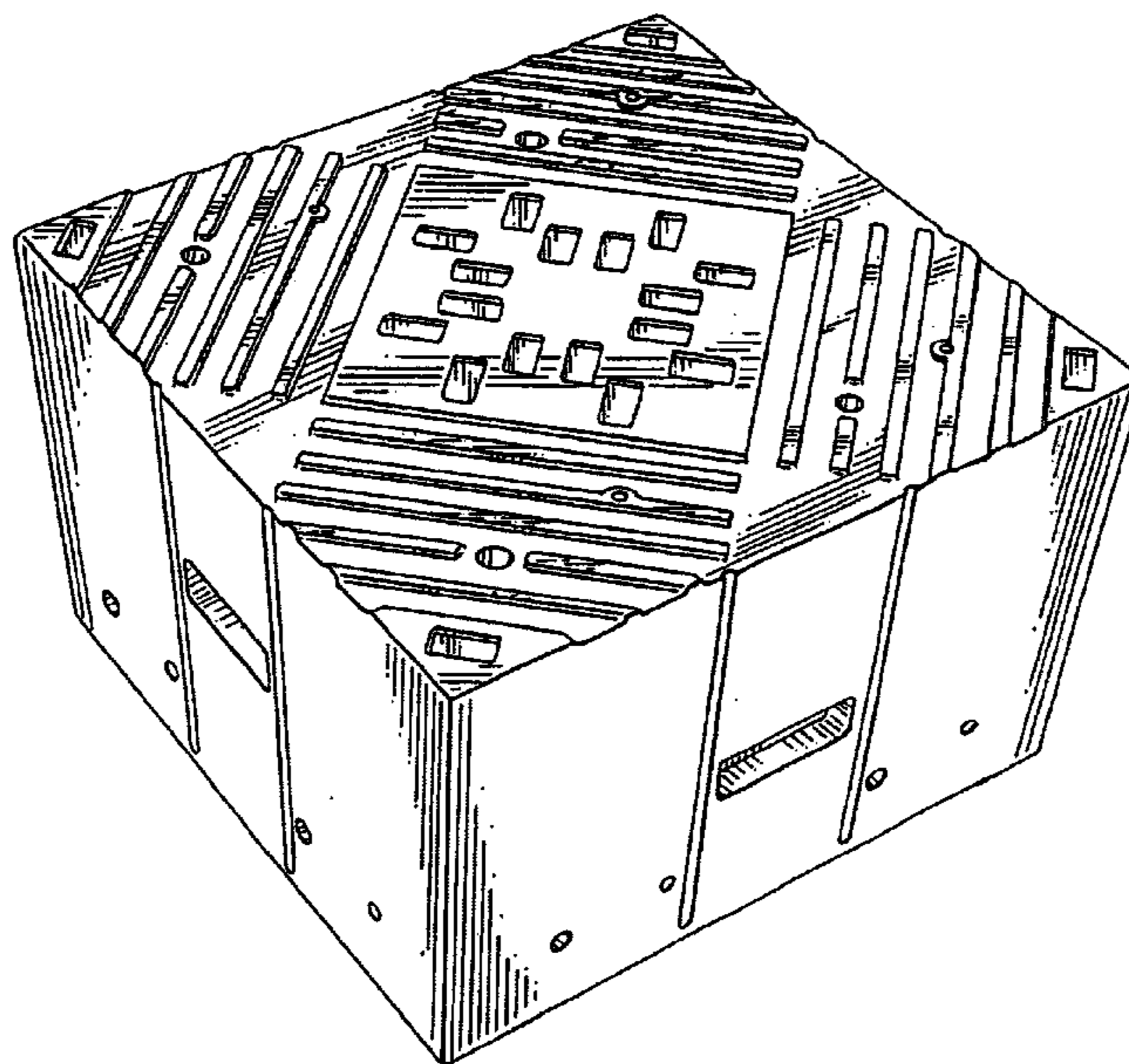
(57) **CLAIM**

I claim the ornamental design for a modular stage prop, as shown and described.

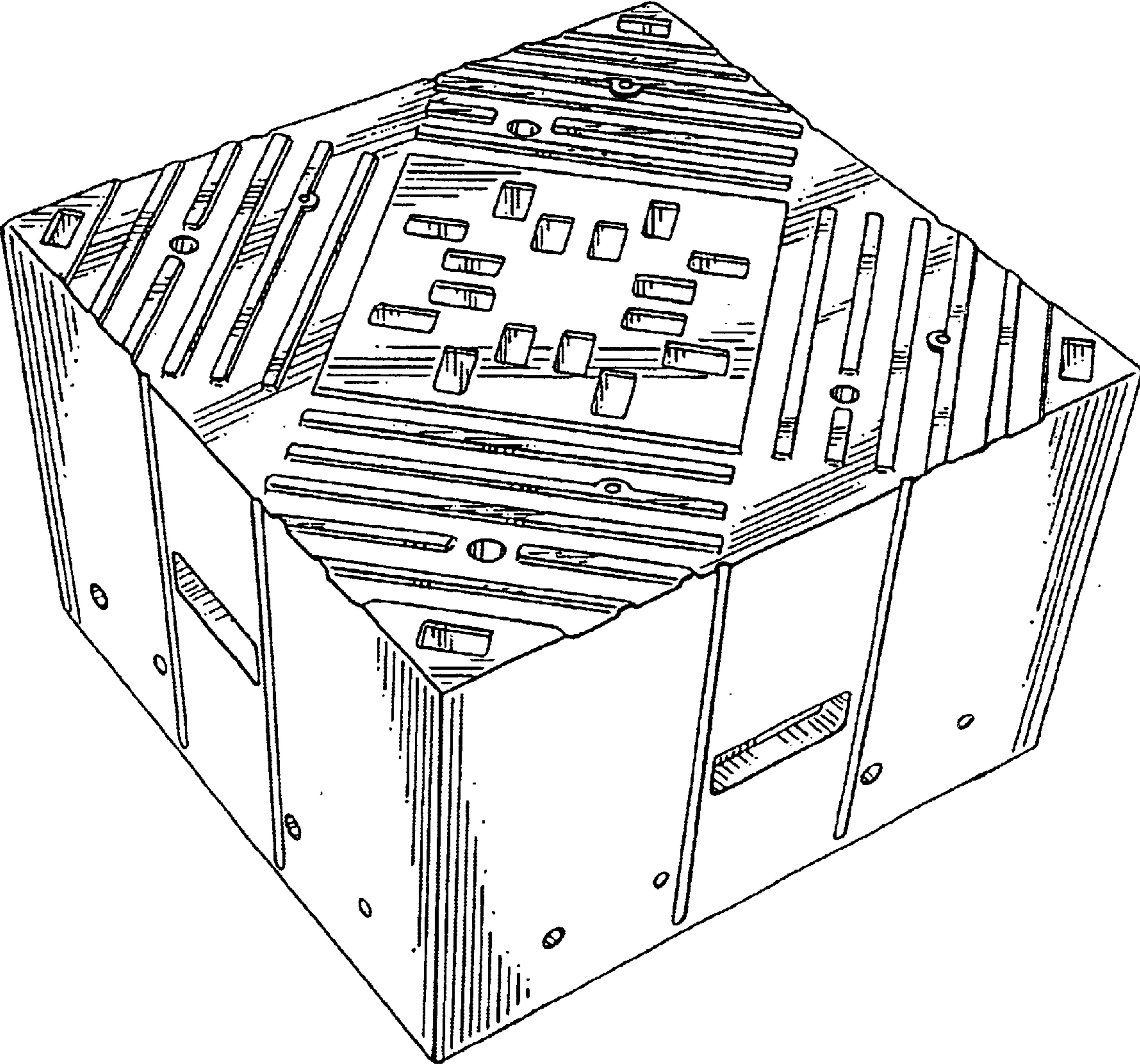
**DESCRIPTION**

FIG. 1 is a top perspective view of a modular stage prop depicting the design of the present invention;  
FIG. 2 is a first side view of a modular stage prop depicting the design of the present invention; and,  
FIG. 3 is a second side view of a modular stage prop depicting the design of the present invention.

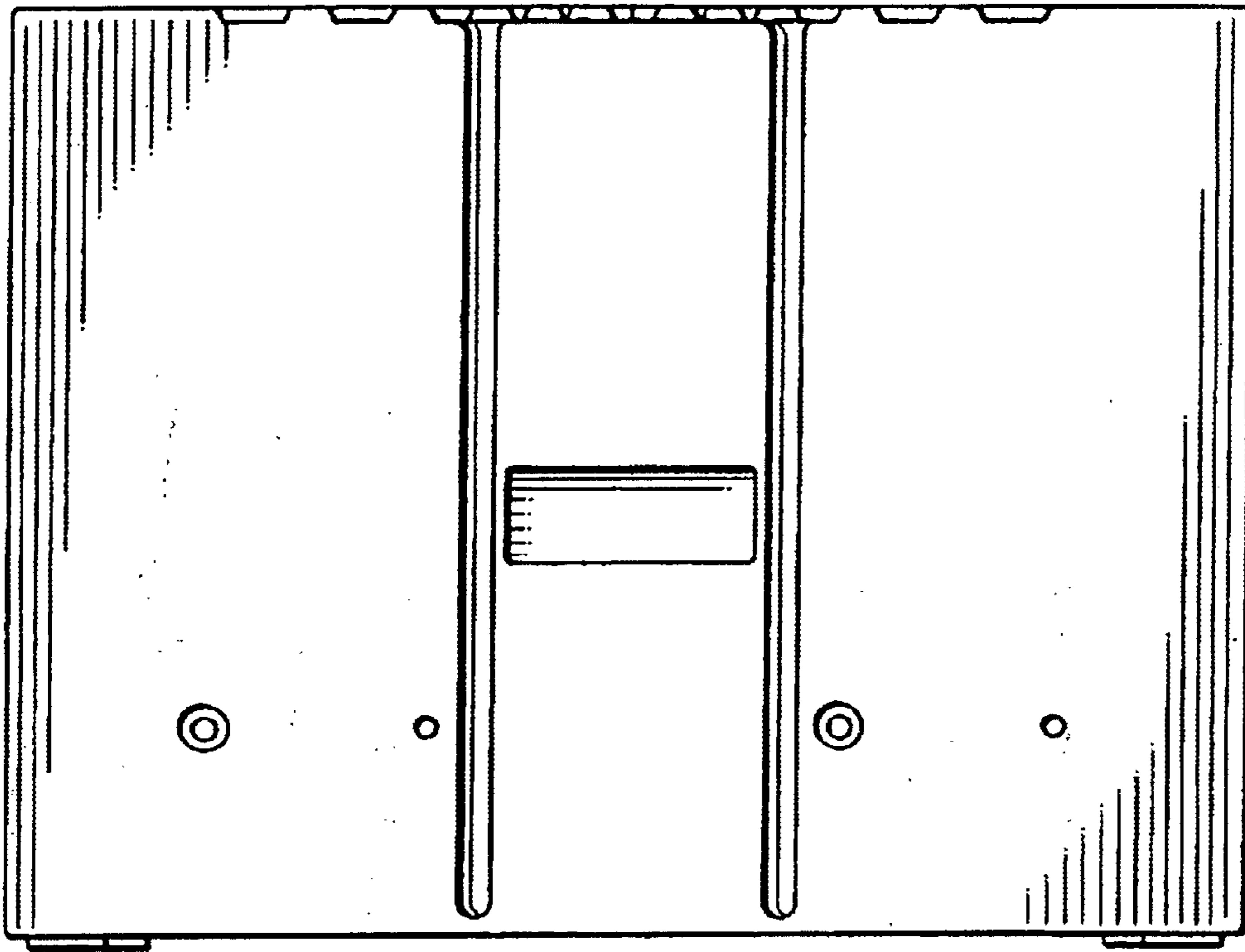
**1 Claim, 2 Drawing Sheets**



*Fig. 1*



*Fig. 2*



*Fig. 3*

