



US00D502021S

(12) **United States Design Patent**
Christian

(10) **Patent No.:** **US D502,021 S**
(45) **Date of Patent:** **** Feb. 22, 2005**

(54) **BED**

(76) **Inventor:** **Curt Christian**, Highland Design,
16525 S. Avalon Blvd., Carson, CA
(US) 90746

(**) **Term:** **14 Years**

(21) **Appl. No.:** **29/183,625**

(22) **Filed:** **Jun. 13, 2003**

(51) **LOC (7) Cl. 06-01**

(52) **U.S. Cl. D6/393**

(58) **Field of Search** D6/388, 389, 392-395,
D6/505-508, 382-384; 5/53.1, 297.1, 280,
281, 907, 2.1

(56) **References Cited**

U.S. PATENT DOCUMENTS

D371,253 S	*	7/1996	Keller	D6/389
D376,054 S	*	12/1996	Bergelin	D6/389
D392,811 S	*	3/1998	Bergelin	D6/393
D414,622 S	*	10/1999	Vaaler	D6/393
D441,980 S	*	5/2001	McDaniel et al.	D6/393
D470,681 S	*	2/2003	O'Hare	D6/389

OTHER PUBLICATIONS

Thomasville, River Roads, c1997/98 front page.*

* cited by examiner

Primary Examiner—Janice E. Seeger

(57) **CLAIM**

The ornamental design for a bed, as shown and described.

DESCRIPTION

FIG. 1 is a top, right, front perspective view of a bed showing my new design, and the top, left, front perspective view is a mirror image of the top, right, front perspective view.

FIG. 2 is a top, right, front perspective view of a first alternative embodiment of a bed showing my new design, and the top, left, front perspective view is a mirror image of the top, right, front perspective view.

FIG. 3 is a top, right, front perspective view of a second alternative embodiment of a bed showing my new design, and the top, left, front perspective view is a mirror image of the top, right, front perspective view; and,

FIG. 4 is a top, right, front perspective view of a third alternative embodiment of a bed showing my new design, and the top, left, front perspective view is a mirror image of the top, right, front perspective view.

The broken lines shown on the headboard of the bed of FIG. 2 represent stitching.

1 Claim, 4 Drawing Sheets

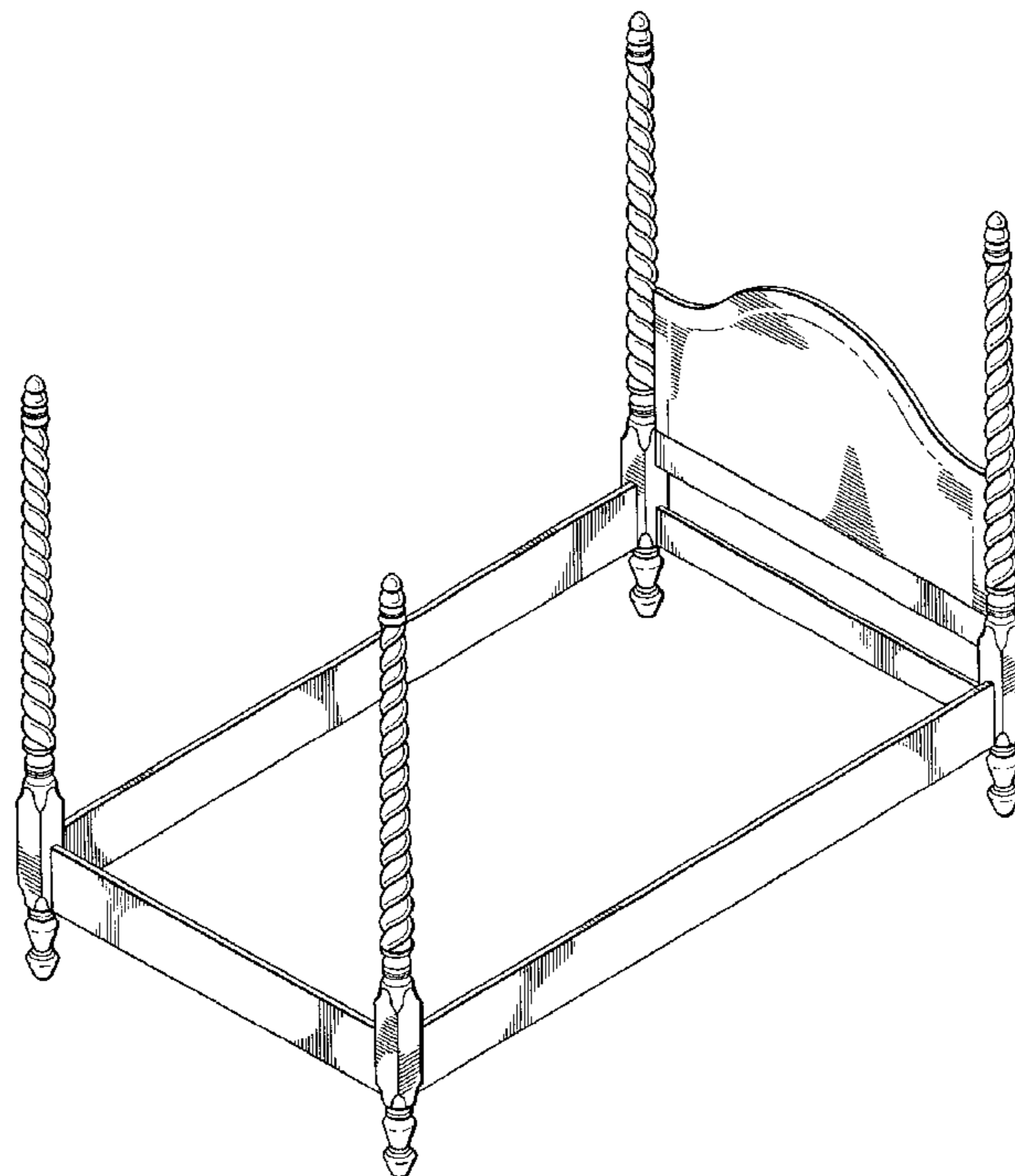


FIG. 1

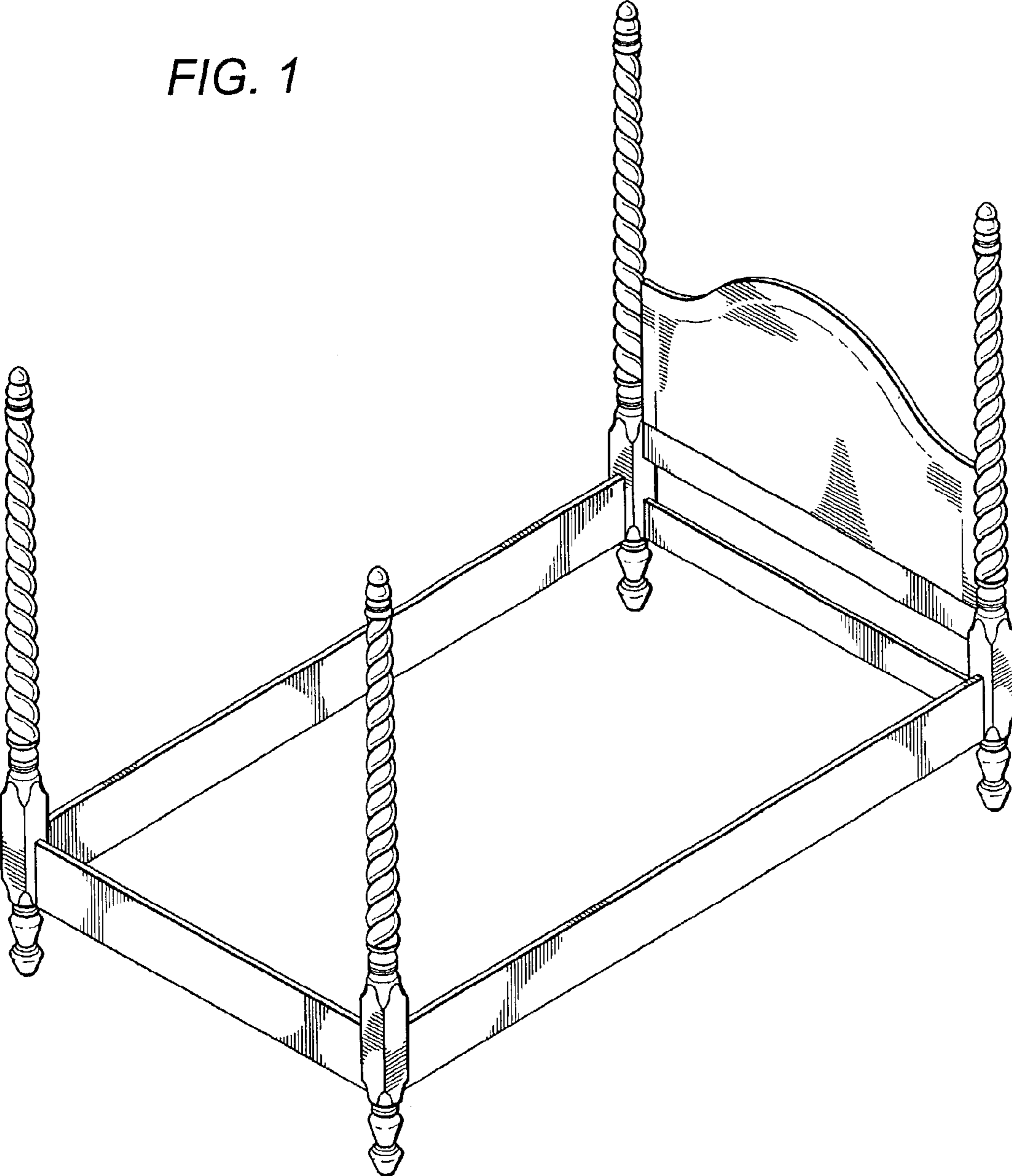


FIG. 2

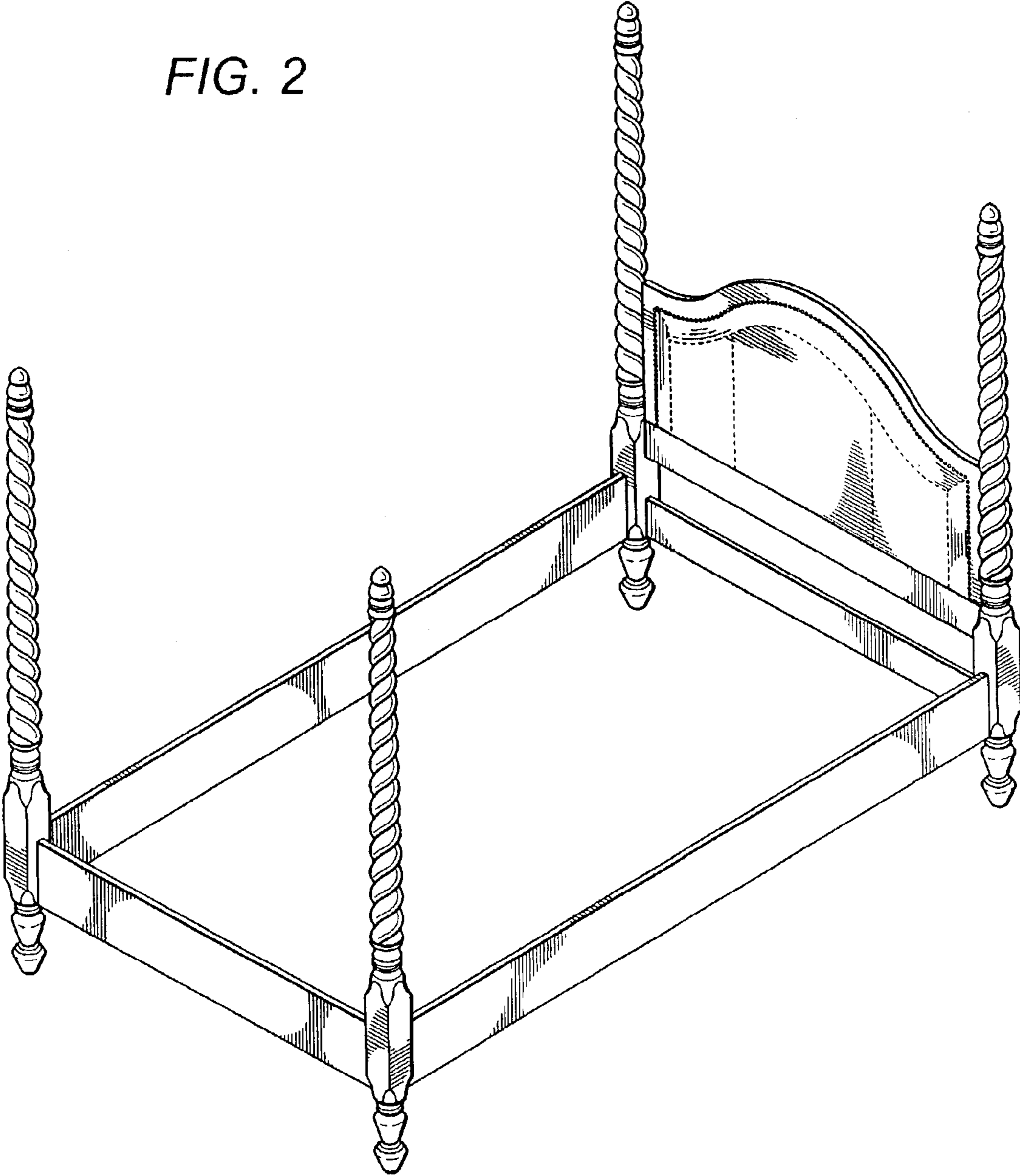


FIG. 3

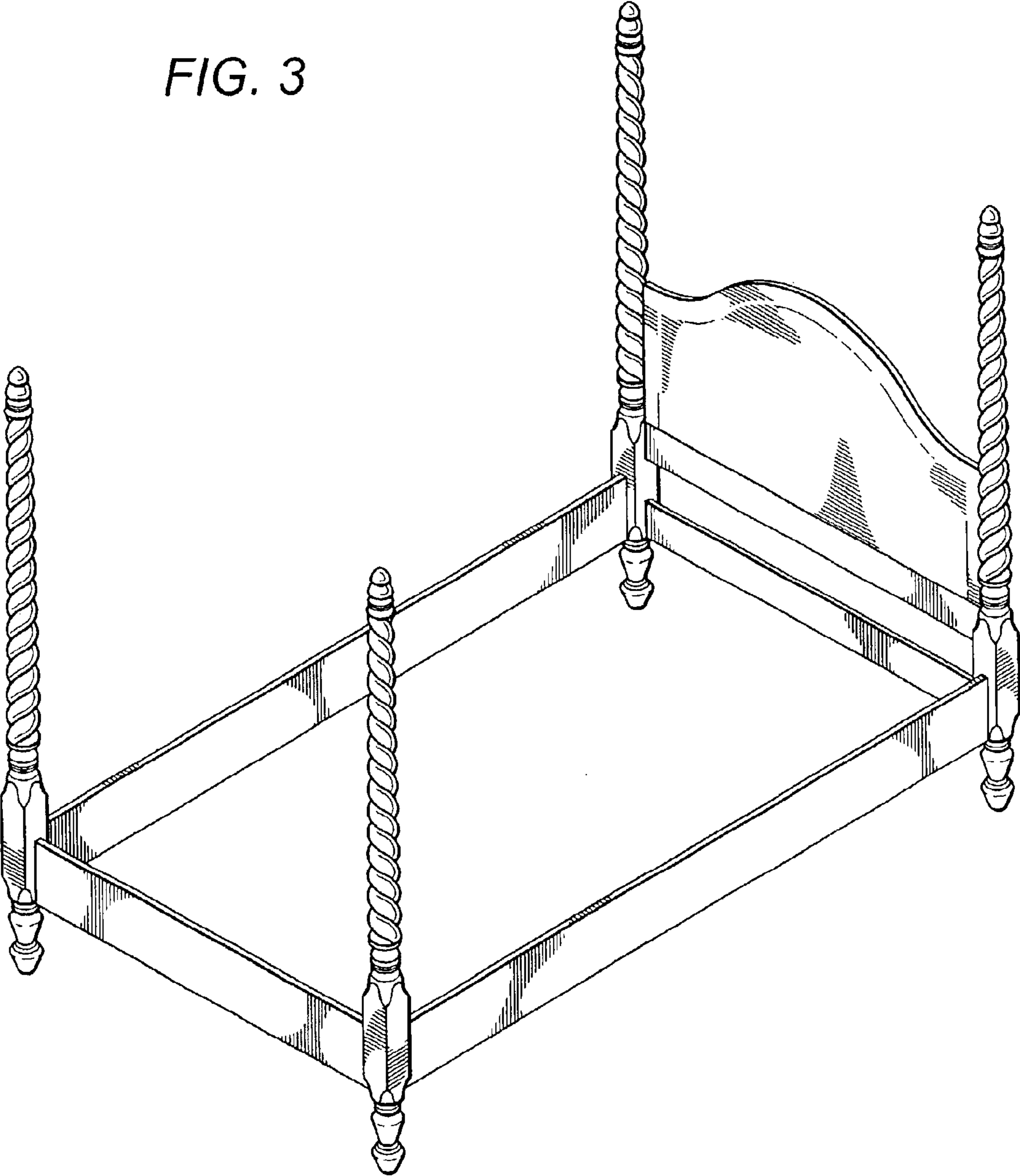


FIG. 4

