



US00D502020S

(12) **United States Design Patent**
Mohundro

(10) **Patent No.:** **US D502,020 S**

(45) **Date of Patent:** **** Feb. 22, 2005**

(54) **LOVESEAT**

(75) **Inventor:** **James Glenn Mohundro, Taichung (TW)**

(73) **Assignee:** **Pacific Marketing International (H.K.) Ltd., Taichung (TW)**

(**) **Term:** **14 Years**

(21) **Appl. No.:** **29/203,530**

(22) **Filed:** **Apr. 16, 2004**

(51) **LOC (7) Cl.** **06-01**

(52) **U.S. Cl.** **D6/381**

(58) **Field of Search** D6/334, 335, 336, D6/364, 371, 381, 500-502; 5/12.1; 297/232

(56) **References Cited**

U.S. PATENT DOCUMENTS

D399,362 S	*	10/1998	Natuzzi et al.	D6/381
D416,399 S	*	11/1999	Christa et al.	D6/381
D418,992 S	*	1/2000	Natuzzi et al.	D6/381
D447,883 S	*	9/2001	Meier et al.	D6/381

D459,605 S	*	7/2002	Greene	D6/381
D459,607 S	*	7/2002	Gibson	D6/381
D475,217 S	*	6/2003	Ricci	D6/381
D484,338 S	*	12/2003	Lenger	D6/500
D490,623 S	*	6/2004	Smith et al.	D6/381

* cited by examiner

Primary Examiner—Gary D. Watson

(74) *Attorney, Agent, or Firm*—Rosenberg, Klein & Lee

(57) **CLAIM**

The ornamental design for a loveseat, as shown and described.

DESCRIPTION

FIG. 1 is a perspective view of a loveseat, showing my new design;

FIG. 2 is a front elevational view thereof;

FIG. 3 is a rear elevational view thereof;

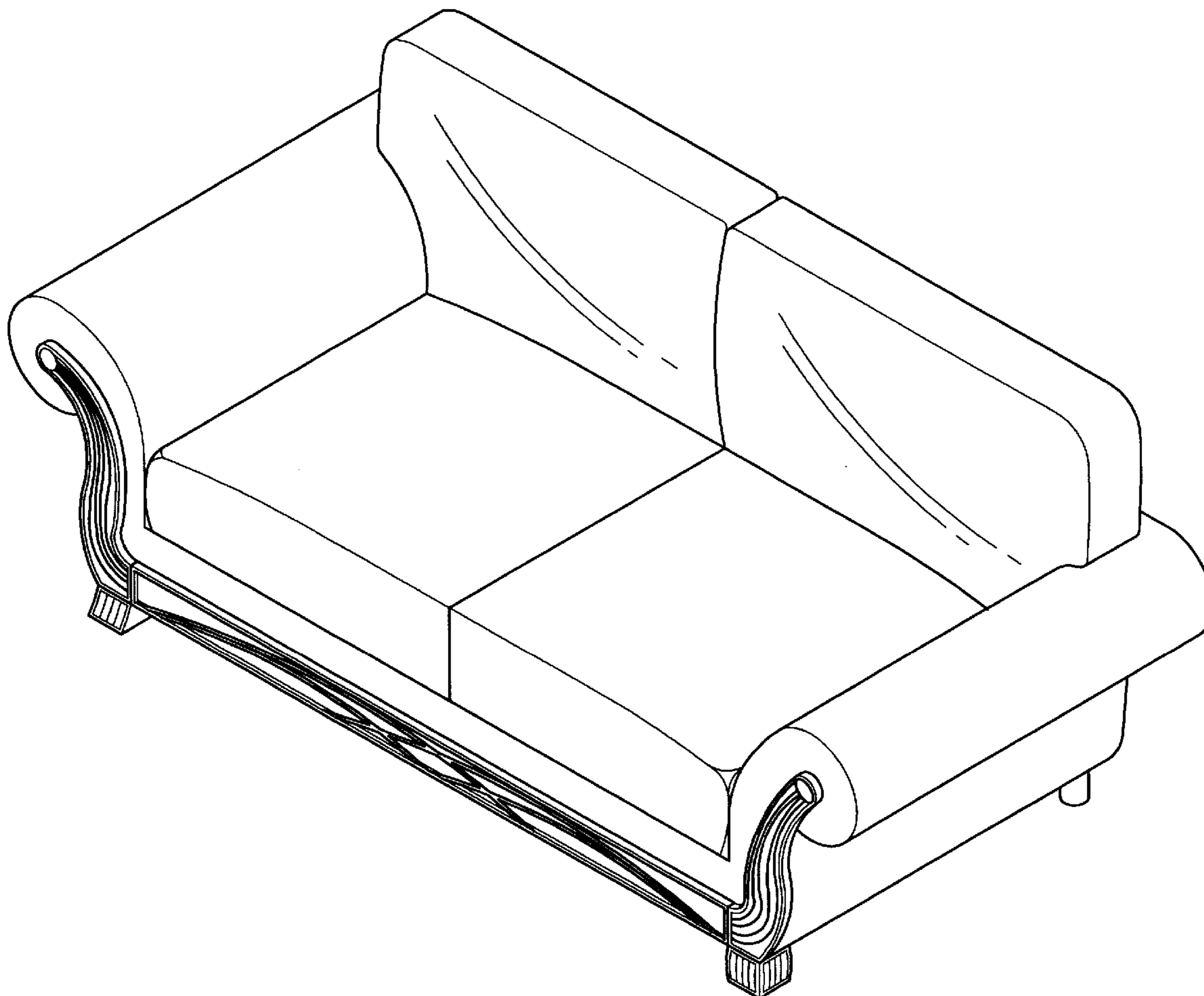
FIG. 4 is a left elevational view thereof; and

FIG. 5 is a right elevational view thereof;

FIG. 6 is a top plan view thereof; and,

FIG. 7 is a bottom plan view thereof.

1 Claim, 6 Drawing Sheets



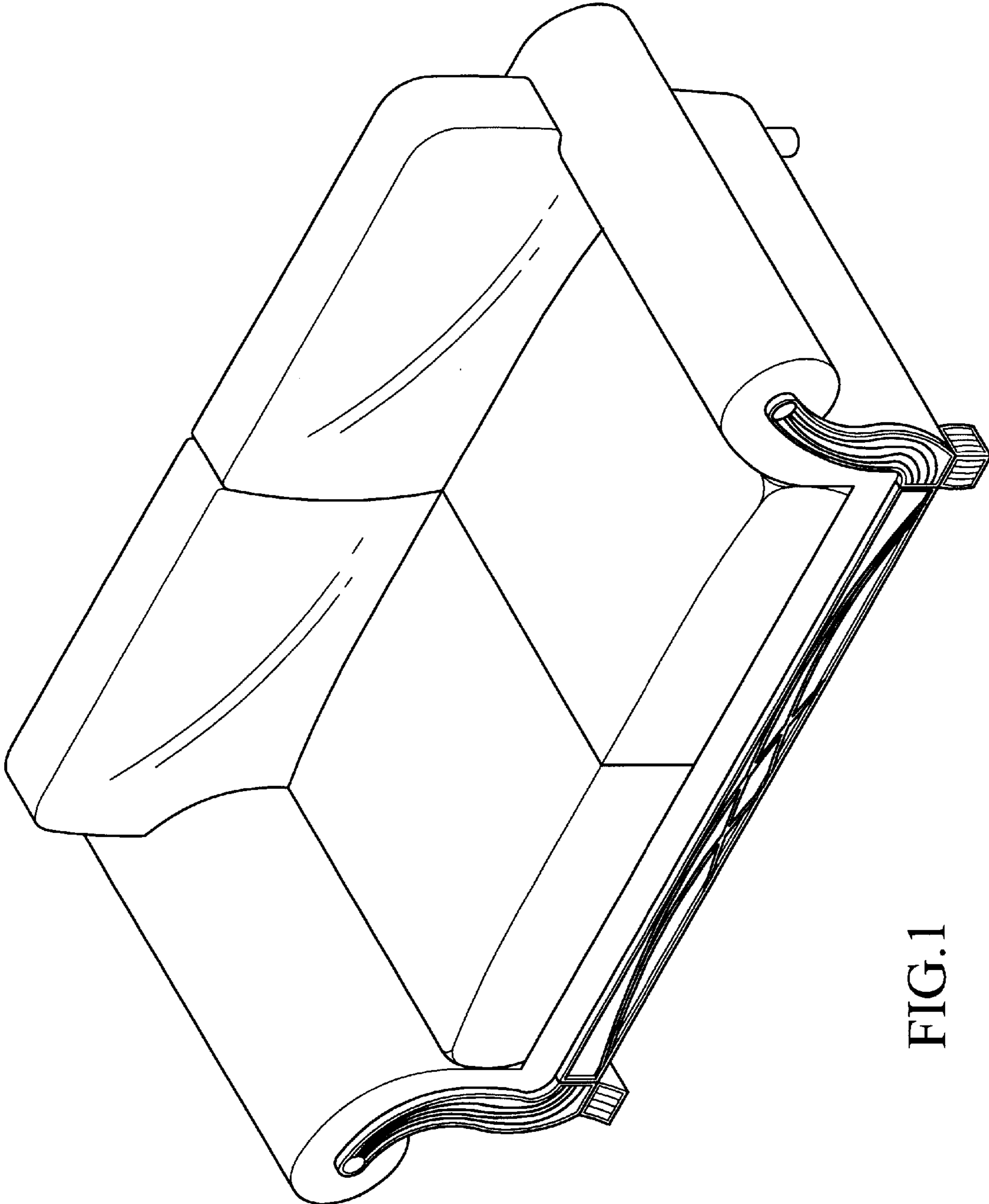


FIG. 1

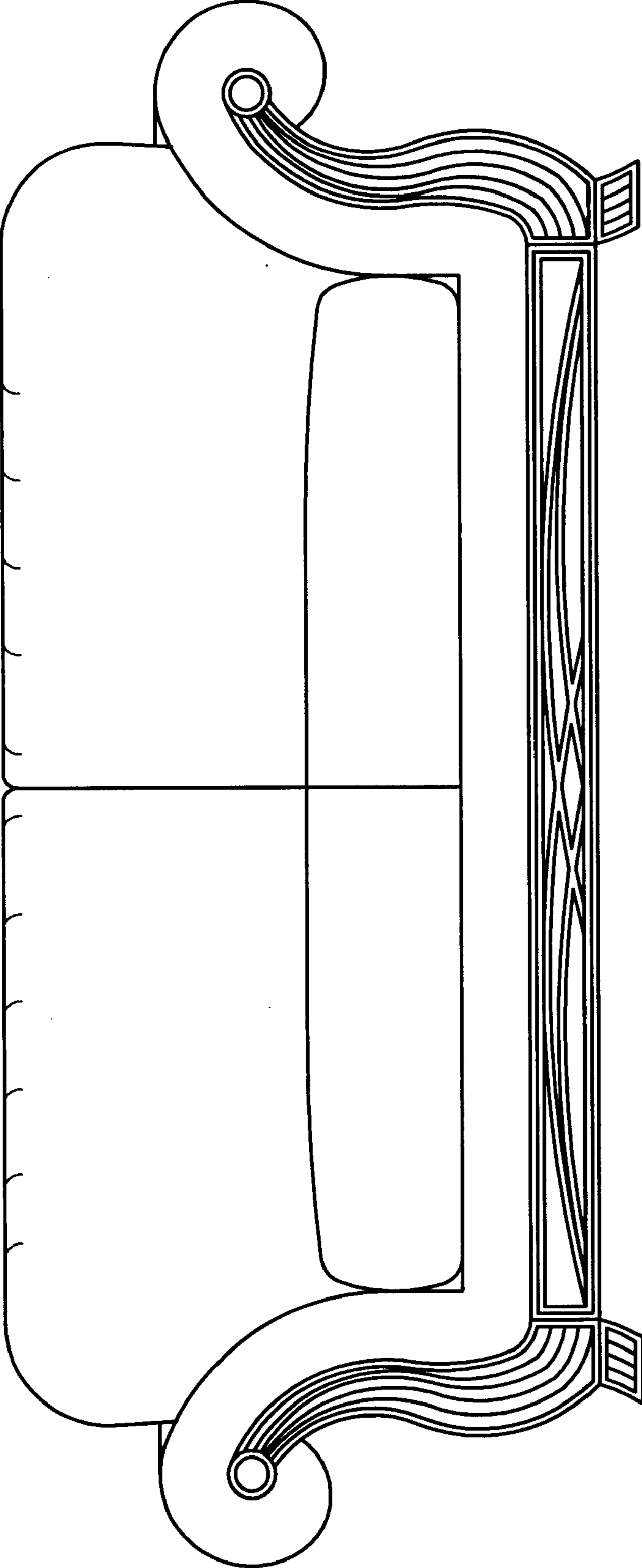


FIG.2

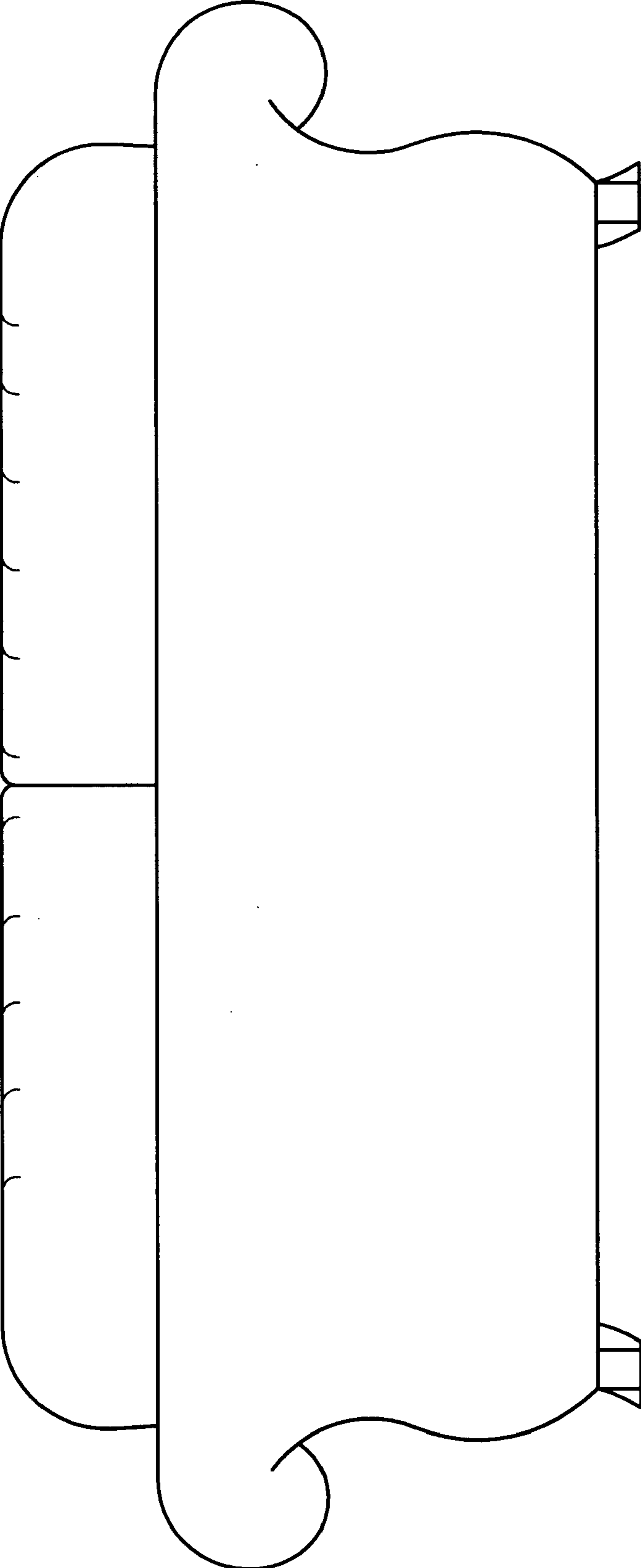


FIG.3

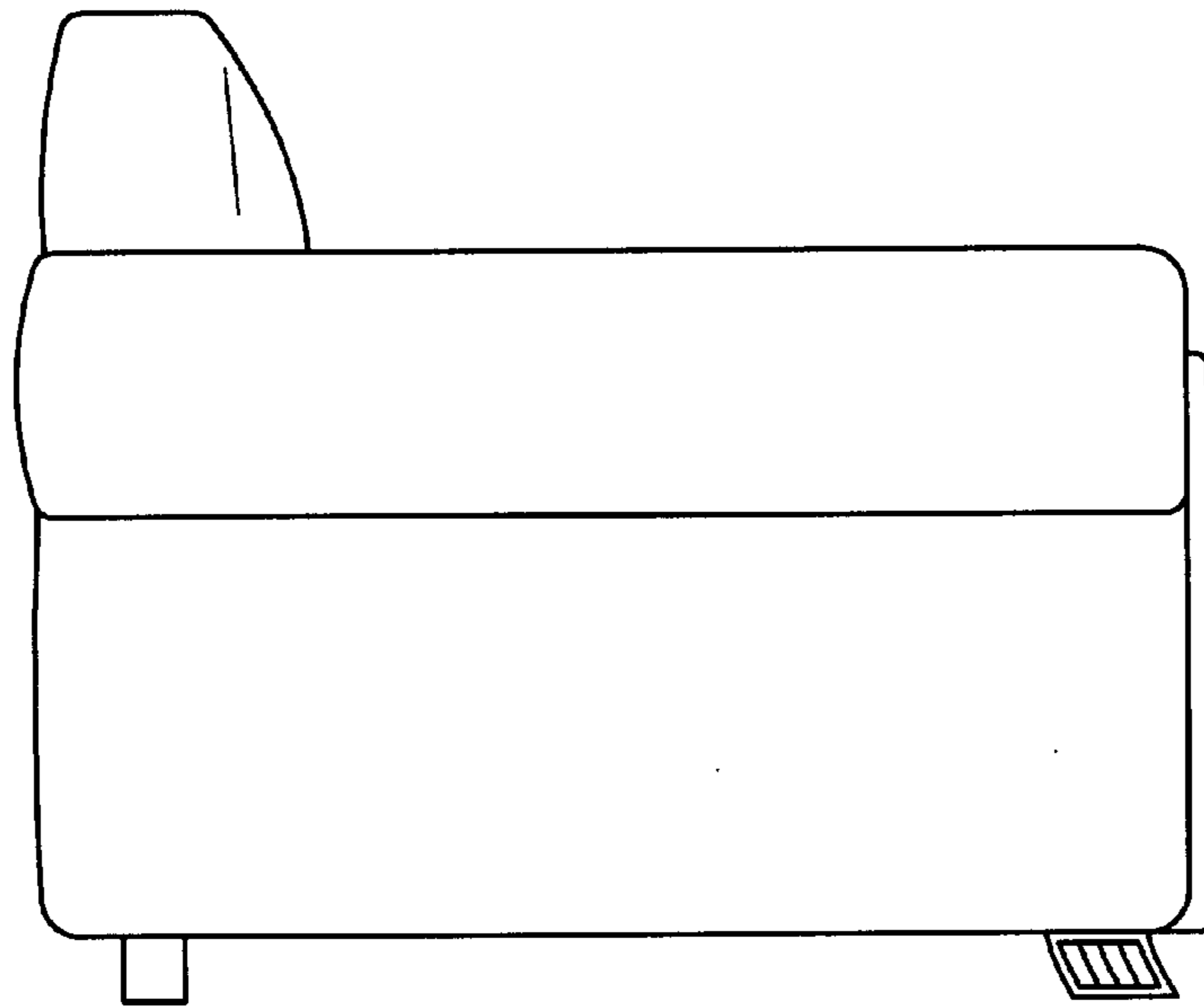


FIG.4

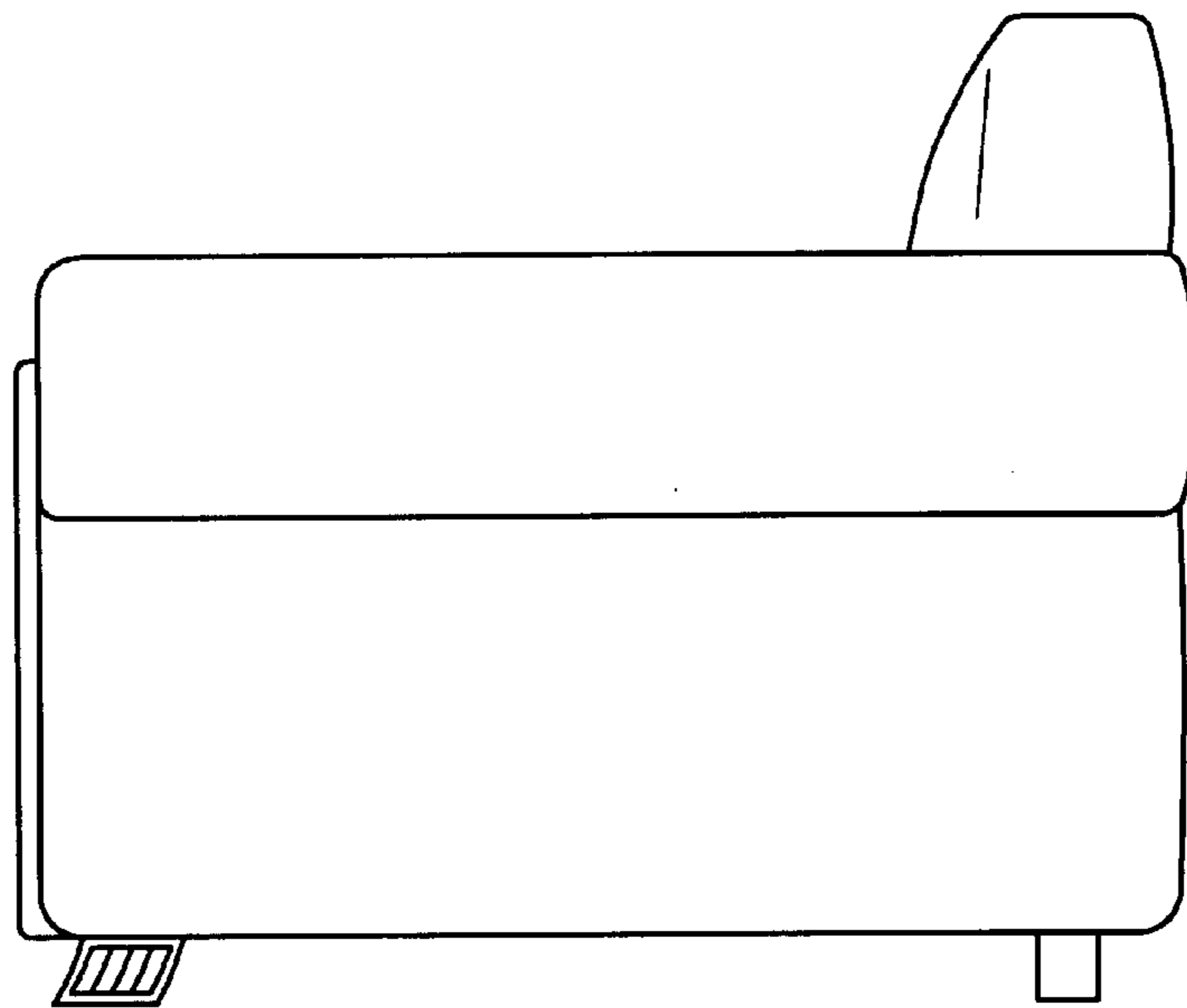


FIG.5

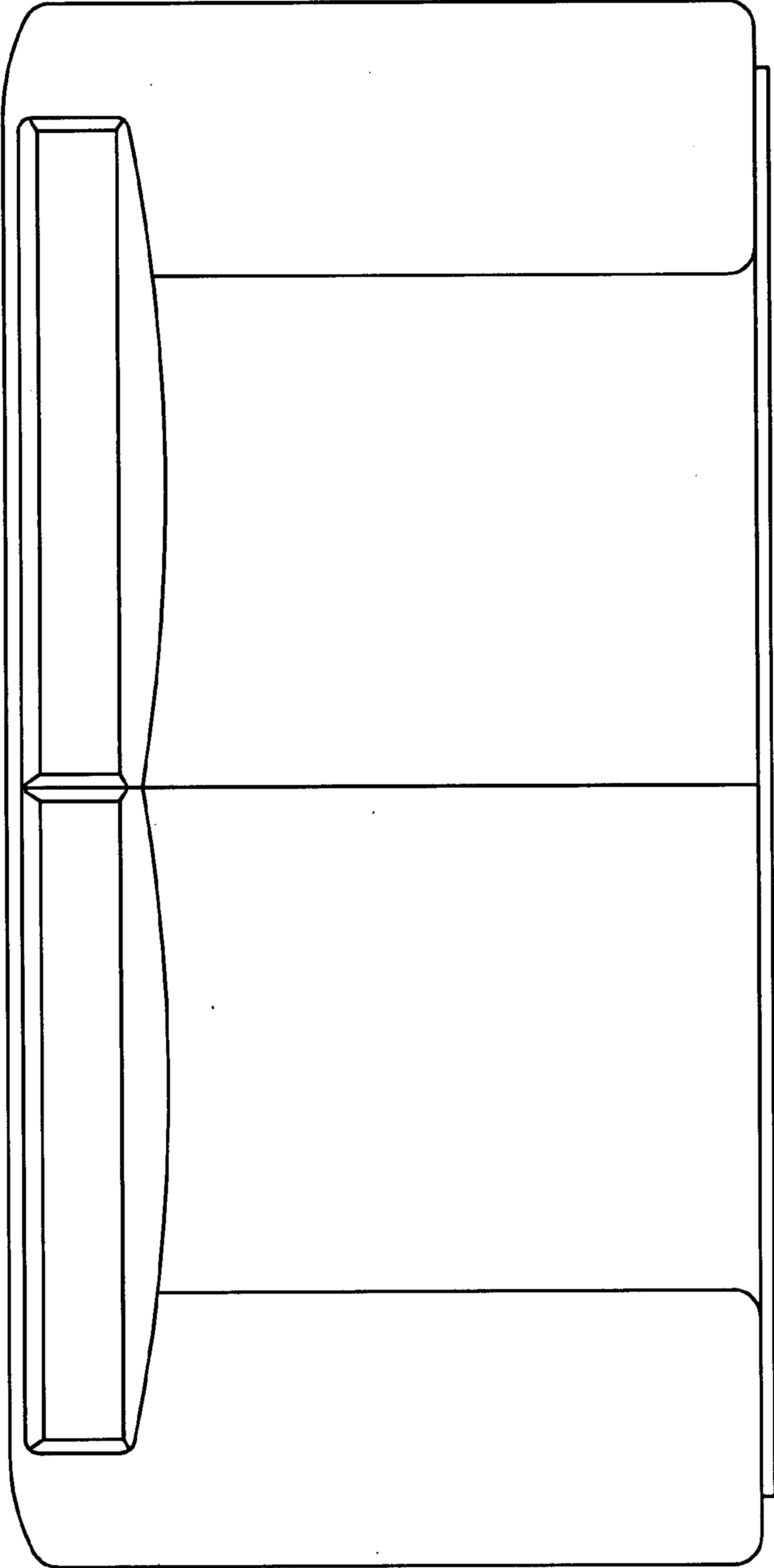


FIG.6

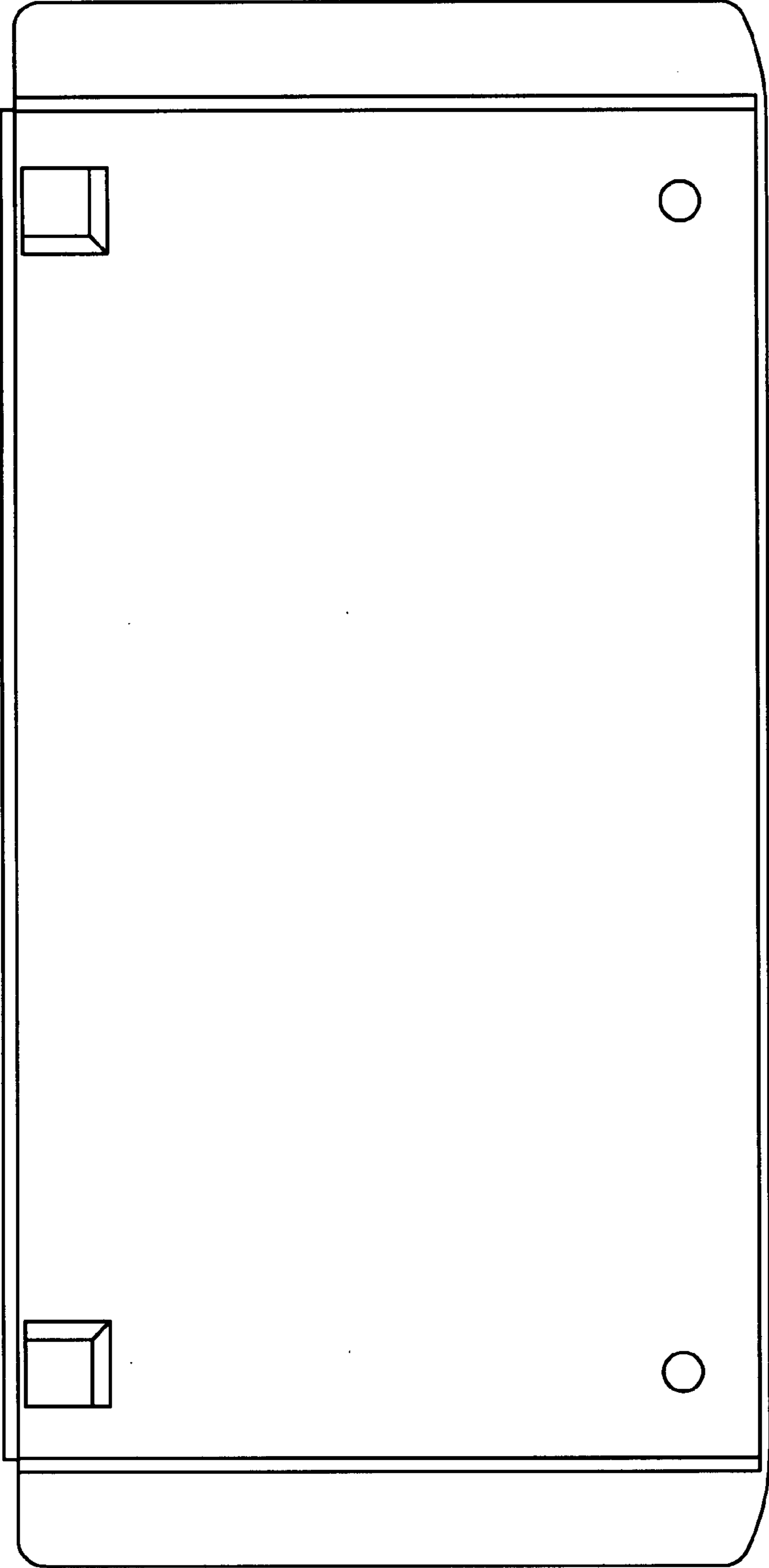


FIG. 7