

US00D502019S

(12) **United States Design Patent**
Kaiser

(10) **Patent No.:** **US D502,019 S**

(45) **Date of Patent:** **** Feb. 22, 2005**

(54) **BENCH**

(76) **Inventor:** **Kenneth L. Kaiser**, P.O. Box 1457,
Gainesville, TX (US) 76241

(**) **Term:** **14 Years**

(21) **Appl. No.:** **29/202,191**

(22) **Filed:** **Mar. 29, 2004**

(51) **LOC (7) Cl.** **06-01**

(52) **U.S. Cl.** **D6/381; D6/334**

(58) **Field of Search** **D6/334, 335, 374,**
D6/375, 376, 381, 500, 501, 502; 297/445.1

(56) **References Cited**

U.S. PATENT DOCUMENTS

- D300,091 S * 3/1989 Frinier D6/381
- D315,836 S * 4/1991 Kaiser D6/334
- D333,733 S * 3/1993 Sammons D6/334
- D401,769 S * 12/1998 Kaiser D6/334
- D421,187 S * 2/2000 Kaiser D6/334
- D421,344 S * 3/2000 Kaiser D6/334

D437,124 S * 2/2001 Kemnitzer D6/334

* cited by examiner

Primary Examiner—Gary D. Watson

(74) *Attorney, Agent, or Firm*—Daniel V. Thompson

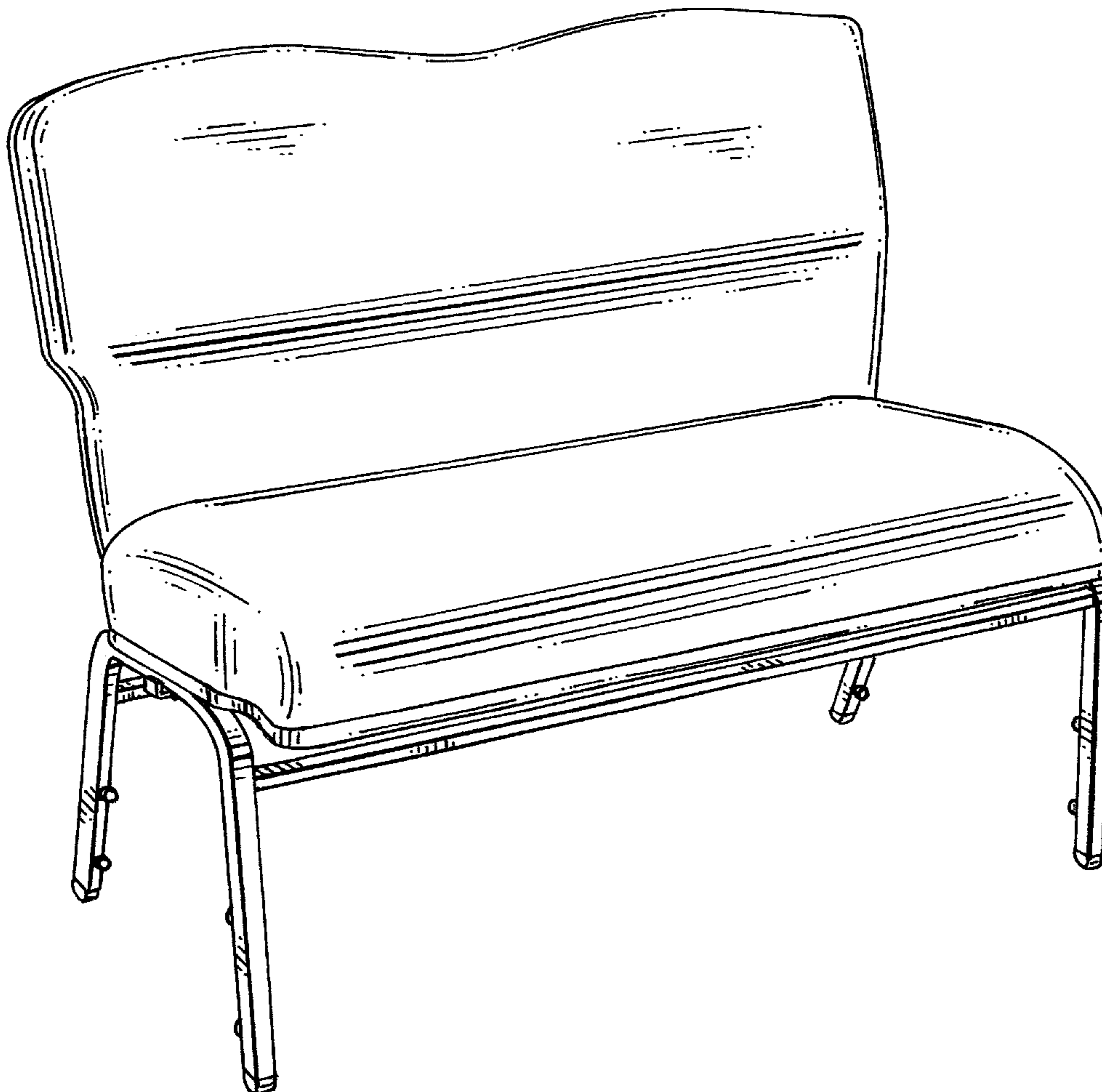
(57) **CLAIM**

The ornamental design for a “bench,” as shown and described.

DESCRIPTION

FIG. 1 is a perspective view of my new design for a bench;
 FIG. 2 is a front elevational view of my new design for a bench;
 FIG. 3 is a rear elevational view of my new design for a bench;
 FIG. 4 is a side elevational view of my new design for a bench;
 FIG. 5 is a side elevational view of my new design for a bench;
 FIG. 6 is a top plan view of my new design for a bench; and,
 FIG. 7 is a bottom plan view of my new design for a bench.

1 Claim, 7 Drawing Sheets



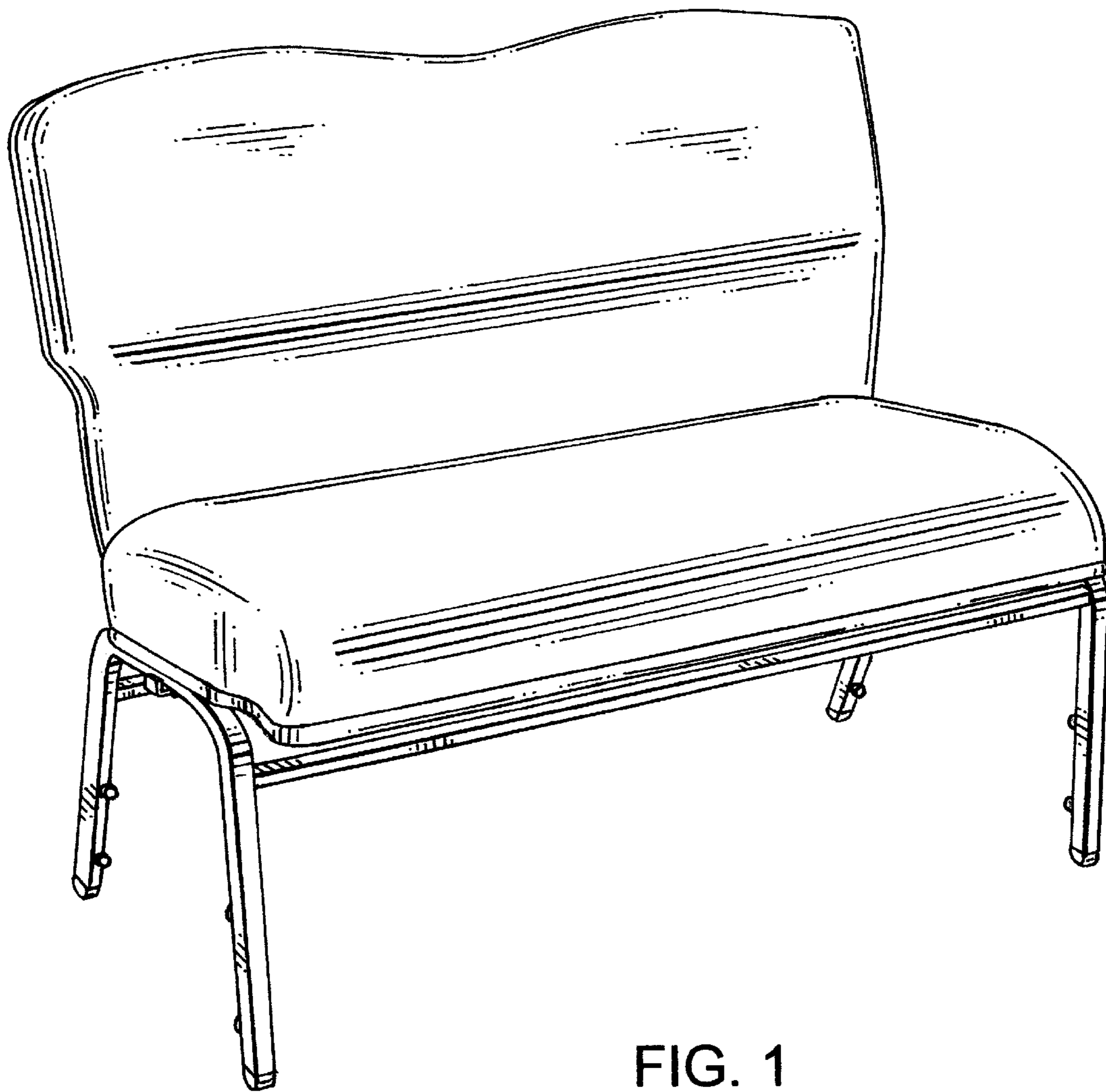


FIG. 1

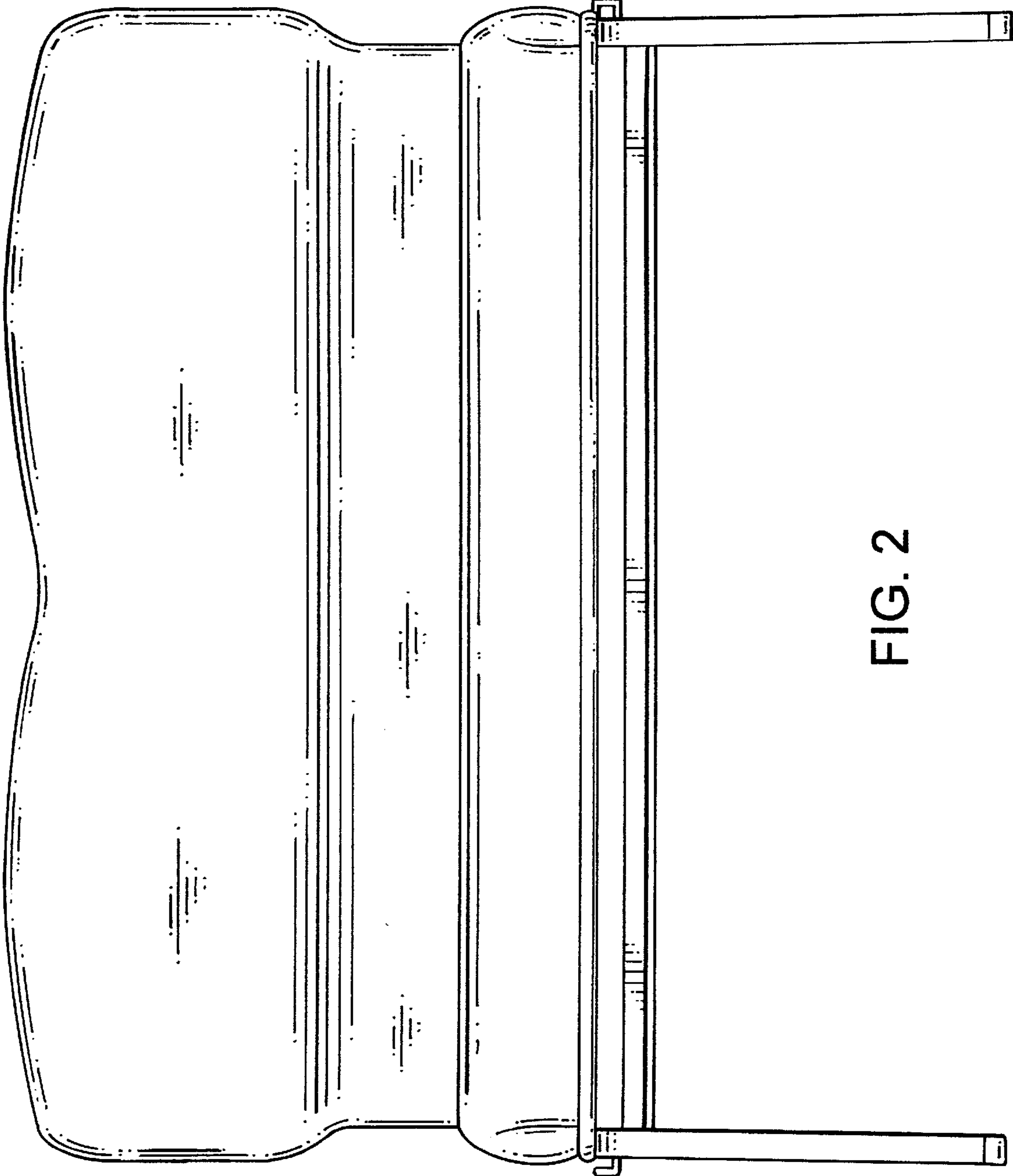


FIG. 2

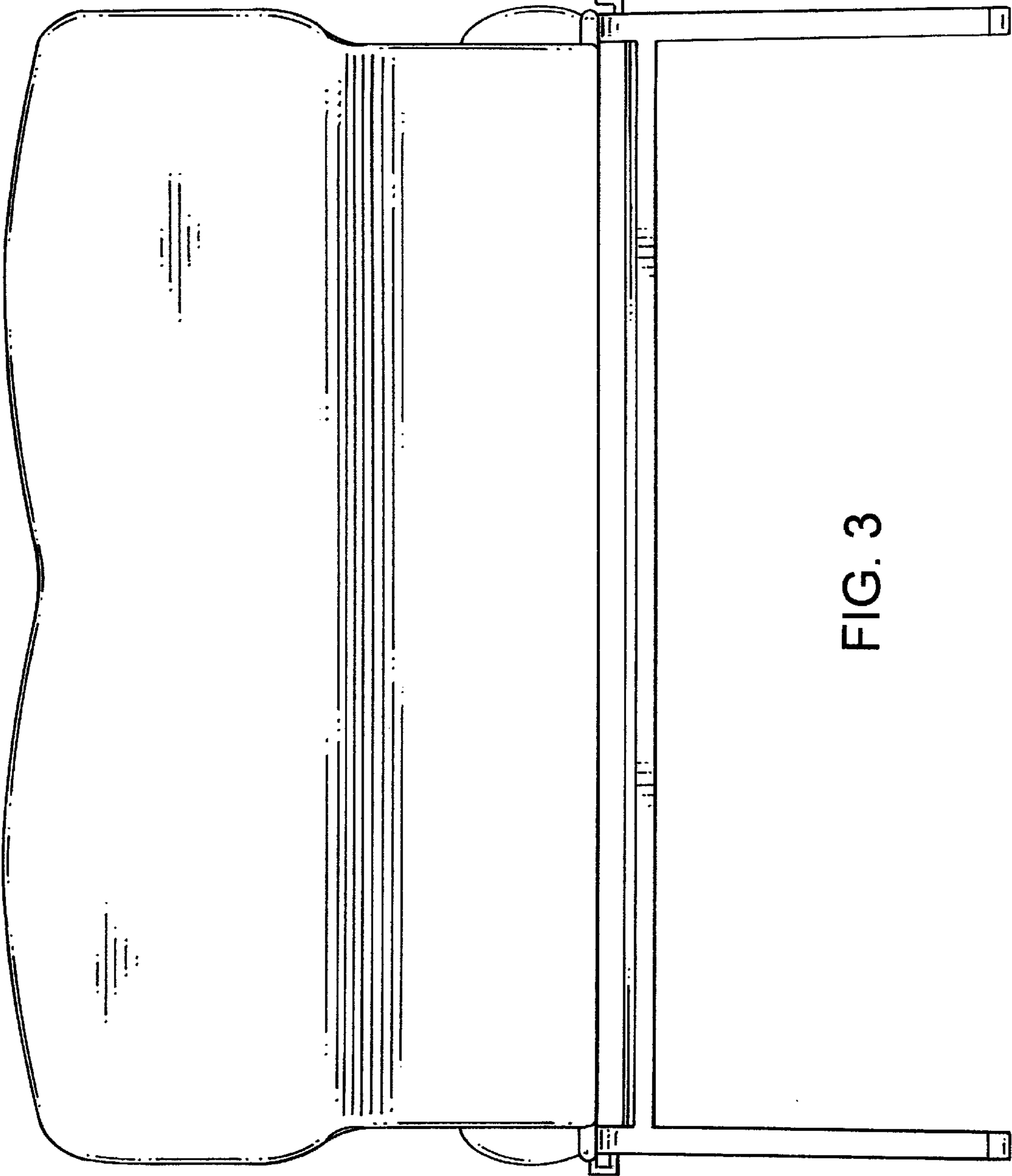


FIG. 3

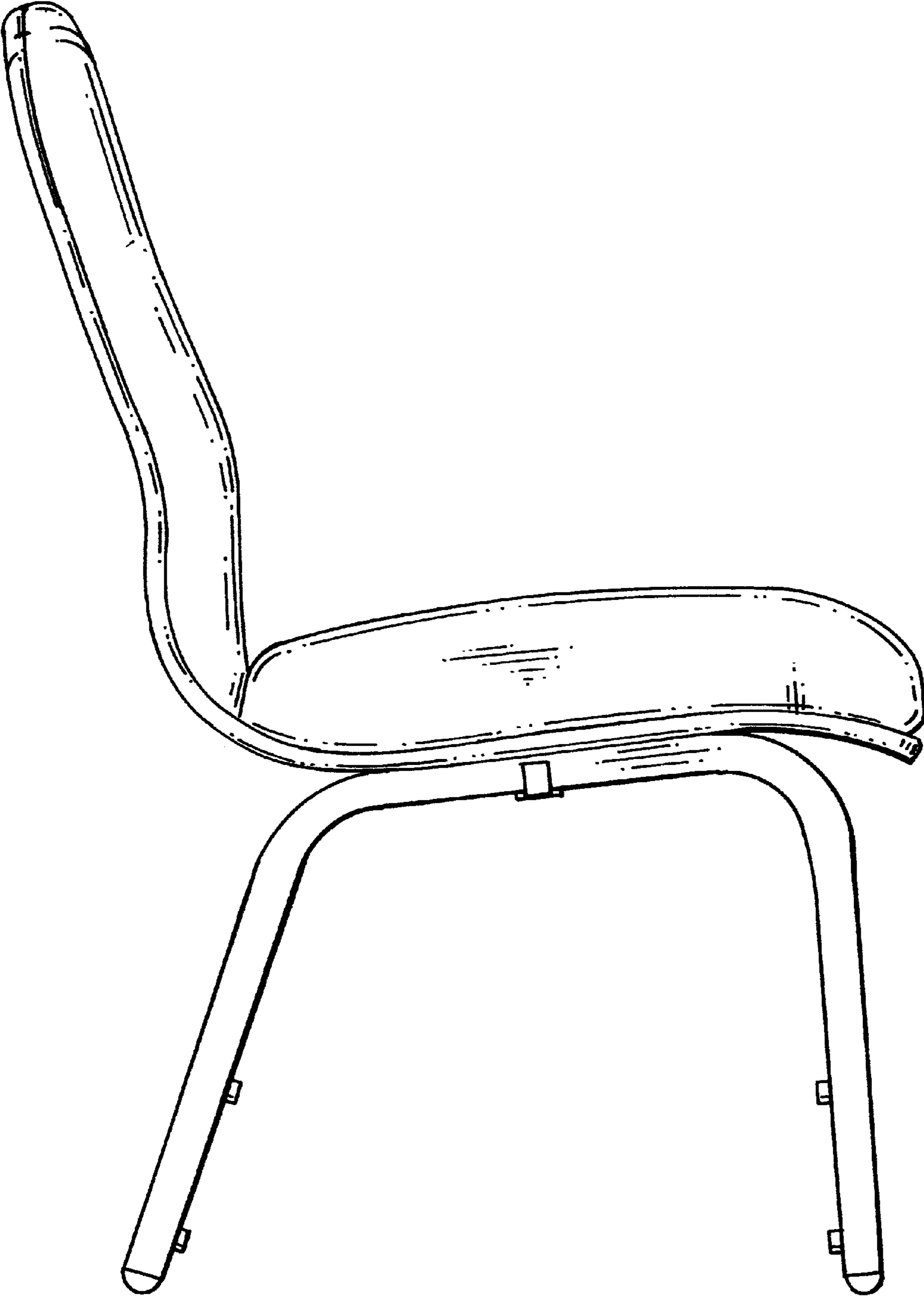


FIG. 4

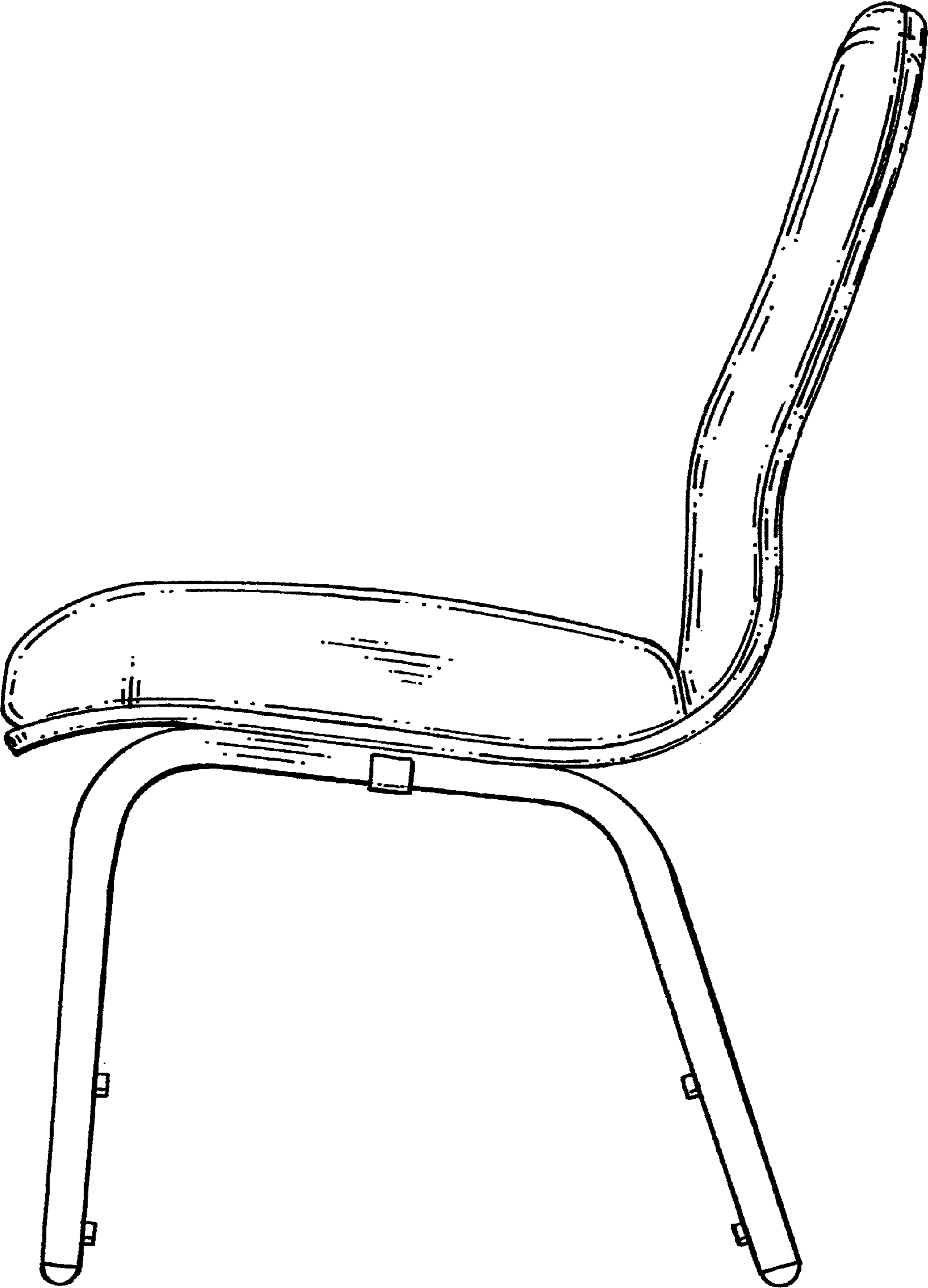


FIG. 5

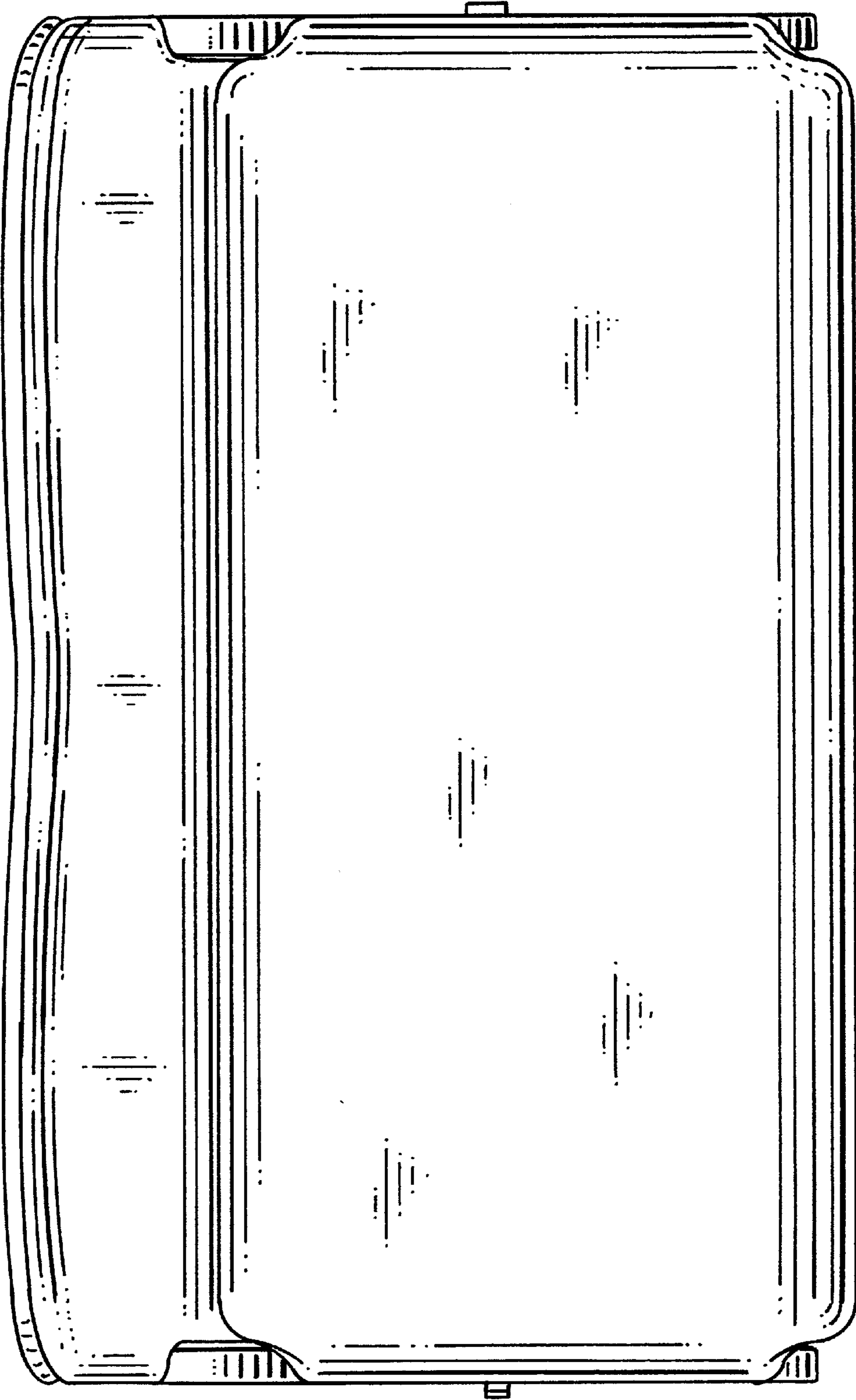


FIG. 6

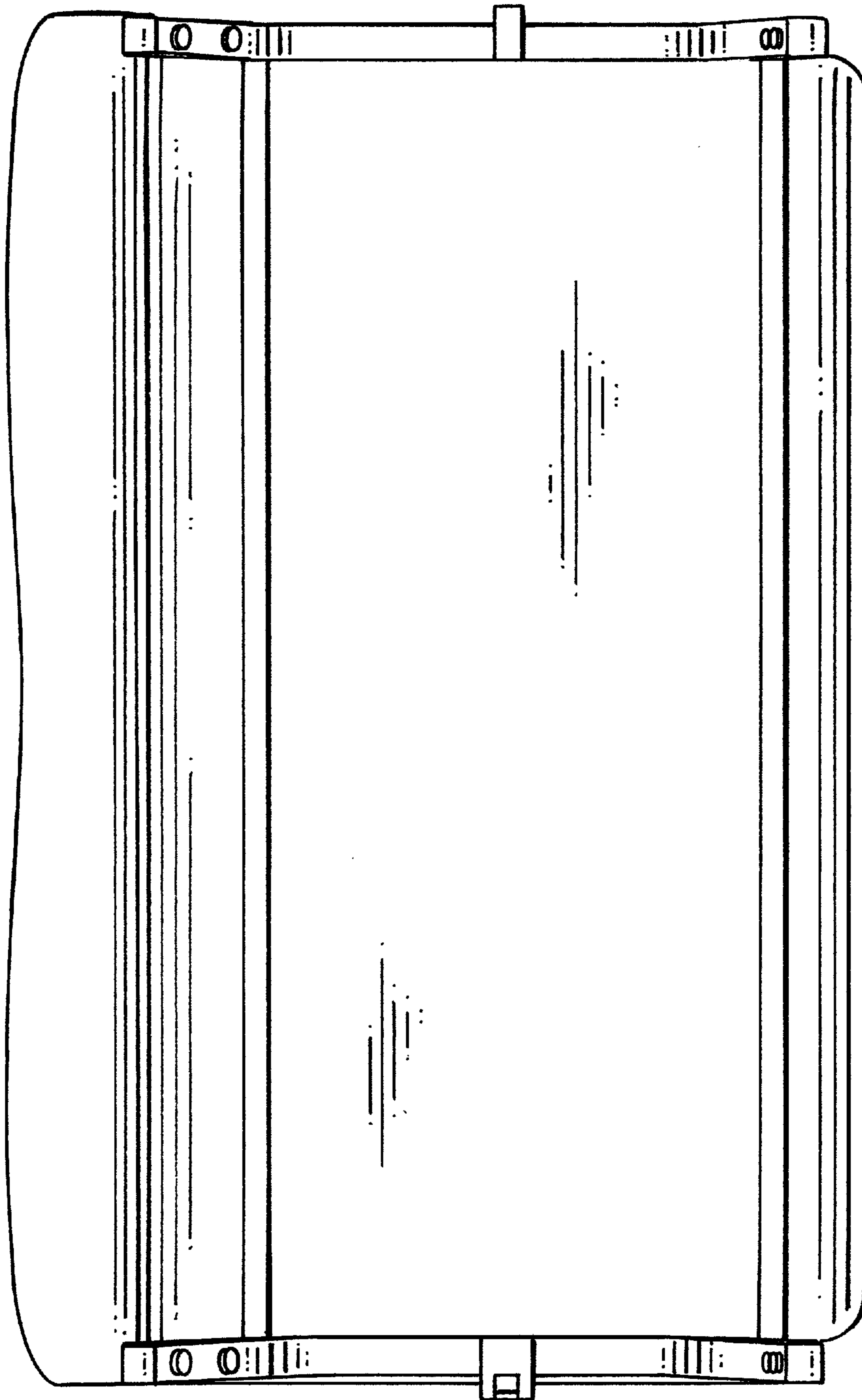


FIG. 7