

US00D502018S

(12) **United States Design Patent** (10) **Patent No.:** **US D502,018 S**  
**Ricci** (45) **Date of Patent:** **\*\* Feb. 22, 2005**

(54) **SEAT**

(75) **Inventor:** **Luca Ricci, Forli (IT)**

(73) **Assignee:** **DeCoro Ltd., Fanling (HK)**

(\*\*) **Term:** **14 Years**

(21) **Appl. No.:** **29/178,920**

(22) **Filed:** **Apr. 1, 2003**

(51) **LOC (7) Cl. .... 06-01**

(52) **U.S. Cl. .... D6/381; D6/334**

(58) **Field of Search .... D6/334, 335, 364,  
D6/371, 381, 500, 501, 502; 5/12.1; 297/232,  
445.1, 446.1**

(56) **References Cited**

**U.S. PATENT DOCUMENTS**

D353,273 S	*	12/1994	Natuzzi et al.	.....	D6/381
D360,542 S		7/1995	Natuzzi et al.		
D361,909 S		9/1995	Natuzzi et al.		
D362,353 S		9/1995	Natuzzi et al.		
D363,388 S		10/1995	Natuzzi et al.		
D366,371 S		1/1996	Natuzzi et al.		
D369,480 S		5/1996	Natuzzi et al.		
D369,694 S		5/1996	Natuzzi et al.		
D383,326 S		9/1997	Hopfer		
D384,219 S		9/1997	Natuzzi et al.		
D390,371 S	*	2/1998	Gibson	.....	D6/381
D391,092 S		2/1998	Natuzzi et al.		
D393,758 S	*	4/1998	Natuzzi et al.	.....	D6/381
D438,028 S		2/2001	Natuzzi et al.		
D446,041 S		8/2001	Natuzzi et al.		
D466,325 S	*	12/2002	Nicoletti	.....	D6/381
D470,325 S	*	2/2003	Ricci	.....	D6/381
D474,914 S	*	5/2003	Ricci	.....	D6/381
D481,553 S	*	11/2003	Nicoletti	.....	D6/381

**OTHER PUBLICATIONS**

De Coro Ltd. Sofa Model No. 2169, Oct., 2001, at the International Home Furnishings Market in High Point, N.C.  
De Coro Ltd. Sofa Model No. 2158, Oct., 2001, at the International Home Furnishings Market in High Point, N.C.  
De Coro Ltd. Sofa Model No. 2096, Apr., 2000, at the International Home Furnishings Market in High Point, N.C.

(List continued on next page.)

*Primary Examiner*—Gary D. Watson

(74) *Attorney, Agent, or Firm*—Luce, Forward, Hamilton & Scripps LLP

(57) **CLAIM**

The ornamental design for a seat, as shown and described.

**DESCRIPTION**

FIG. 1 is a front perspective view of one embodiment of my new seat design in the form of a sofa;

FIG. 2 is a front elevation view of the embodiment of FIG. 1;

FIG. 3 is a left, side elevation view of the embodiment of FIG. 1, with the right side elevational view being a mirror image thereof;

FIG. 4 is a rear elevation view of the embodiment of FIG. 1;

FIG. 5 is a front perspective view of a second embodiment of my new seat design in the form of a chair;

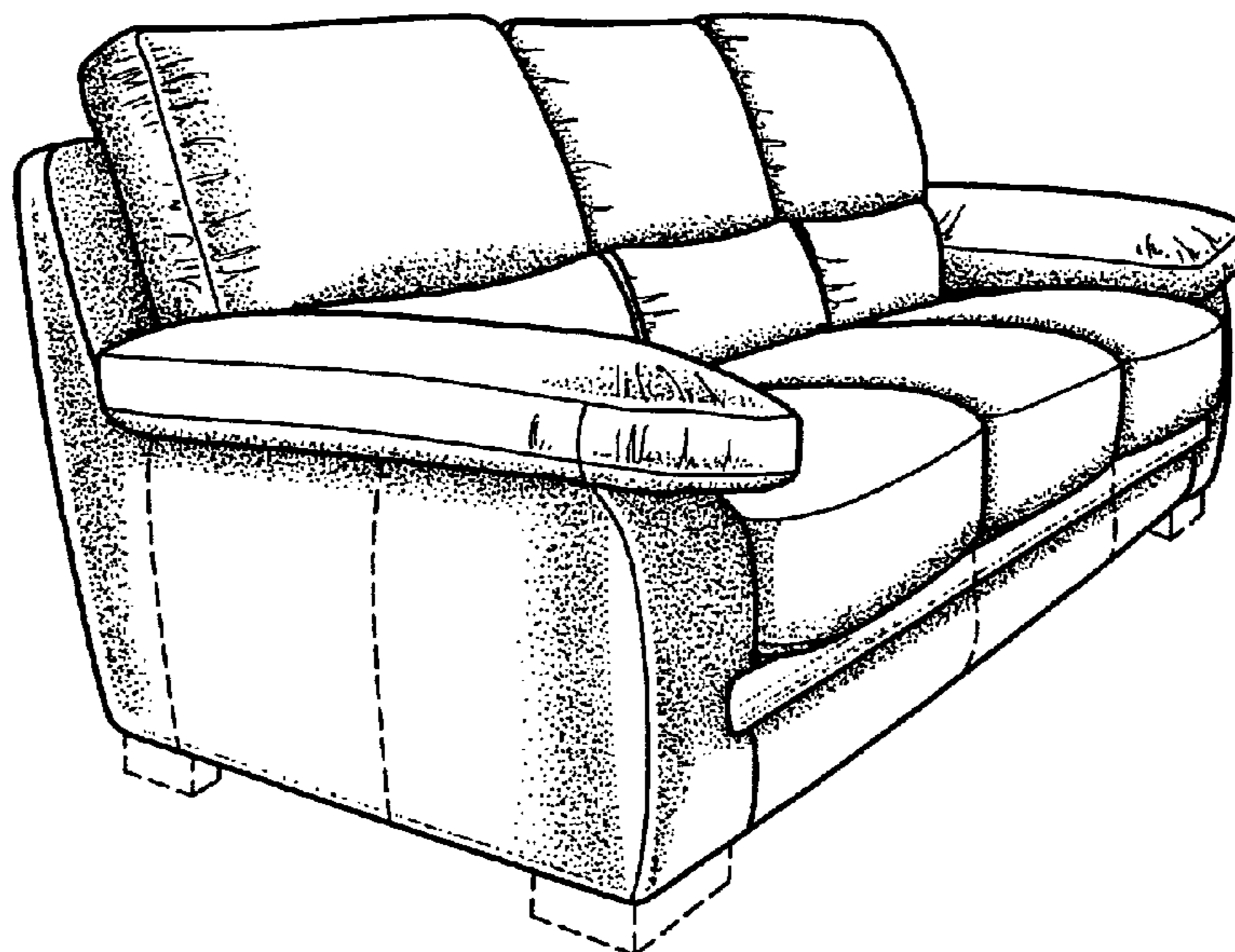
FIG. 6 is a front elevation view of the embodiment of FIG. 5; and,

FIG. 7 is a back elevation view of the embodiment of FIG. 5.

The end view of FIGS. 5, 6, and 7 are like that shown in FIG. 3.

The broken line disclosure is for illustrative purposes only and forms no part of the claimed design.

**1 Claim, 4 Drawing Sheets**



OTHER PUBLICATIONS

De Coro Ltd. Sofa Model No. 2088, Apr., 2000, at the International Home Furnishings Market in High Point, N.C.  
De Coro Ltd. Sofa Model No. 2072, Apr., 2000, at the International Home Furnishings Market in High Point, N.C.  
De Coro Ltd. Sofa Model No. 2058, Apr., 2000, at the International Home Furnishings Market in High Point, N.C.  
De Coro Ltd. Sofa Model No. 2053, Apr., 2000, at the International Home Furnishings Market in High Point, N.C.  
De Coro Ltd. Sofa Model No. 226, Apr., 1999, at the International Home Furnishings Market in High Point, N.C.  
De Coro Ltd. Sofa Model No. 149, Apr., 1998, at the International Home Furnishings Market in High Point, N.C.  
De Coro Ltd. Sofa Model No. 132, Apr., 1998, at the International Home Furnishings Market in High Point, N.C.  
De Coro Ltd. Sofa Model No. 107, Apr., 1998, at the International Home Furnishings Market in High Point, N.C.

De Coro Ltd. Sofa Model No. 102, Apr., 1998, at the International Home Furnishings Market in High Point, N.C.  
De Coro Ltd. Sofa Model No. 2171, Apr., 2002, at the International Home Furnishings Market in High Point, N.C.  
De Coro Ltd. Sofa Model No. 2206, Apr., 2002, at the International Home Furnishings Market in High Point, N.C.  
De Coro Ltd. Sofa Model No. 2209, Apr., 2002, at the International Home Furnishings Market in High Point, N.C.  
De Coro Ltd. Sofa Model No. 2211, Apr., 2002, at the International Home Furnishings Market in High Point, N.C.  
De Coro Ltd. Sofa Model No. 2219, Apr., 2002, at the International Home Furnishings Market in High Point, N.C.  
De Coro Ltd. Sofa Model No. 2226, Apr., 2002, at the International Home Furnishings Market in High Point, N.C.  
De Coro Ltd. Sofa Model No. 2231, Apr., 2002, at the International Home Furnishings Market in High Point, N.C.

\* cited by examiner

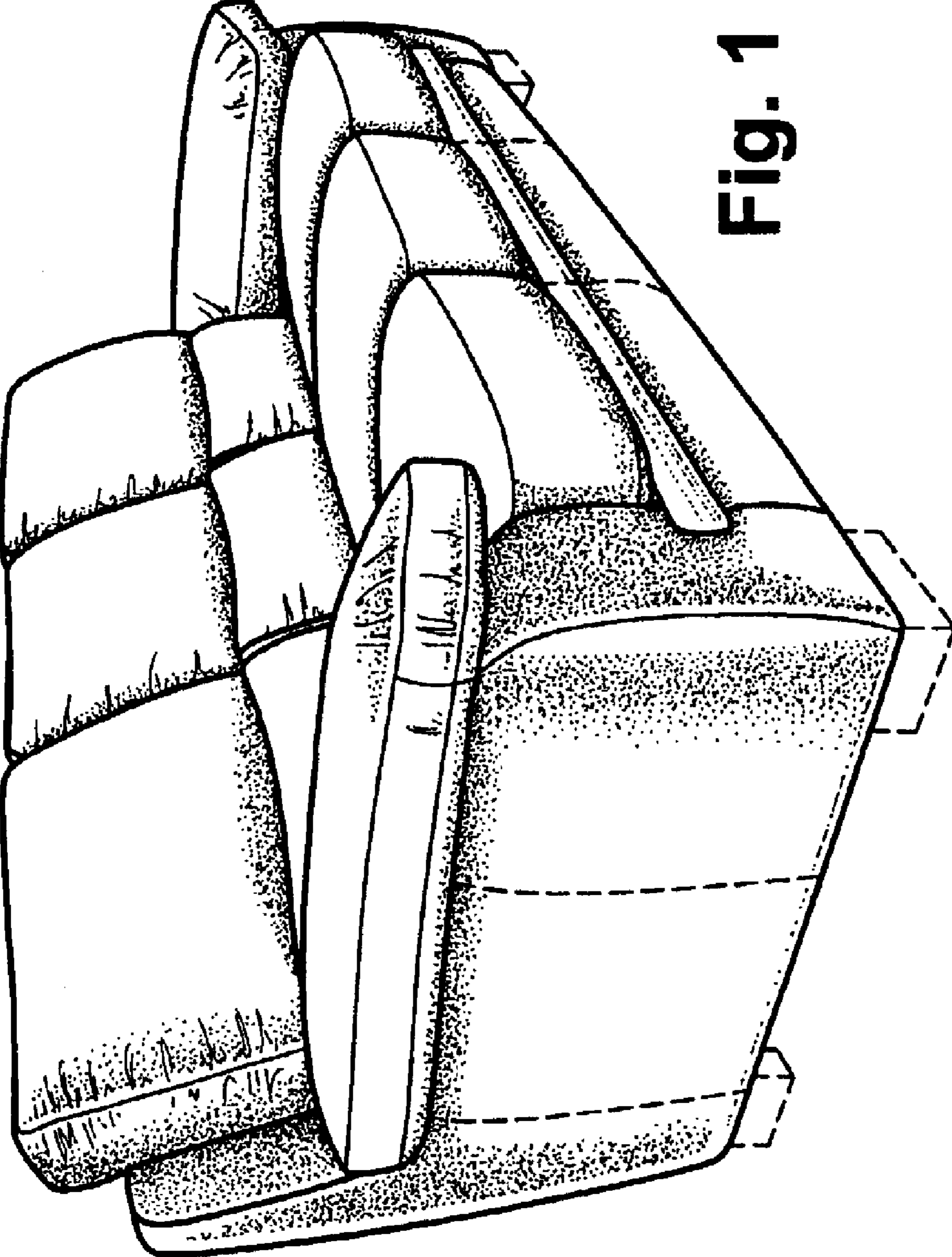


Fig. 1

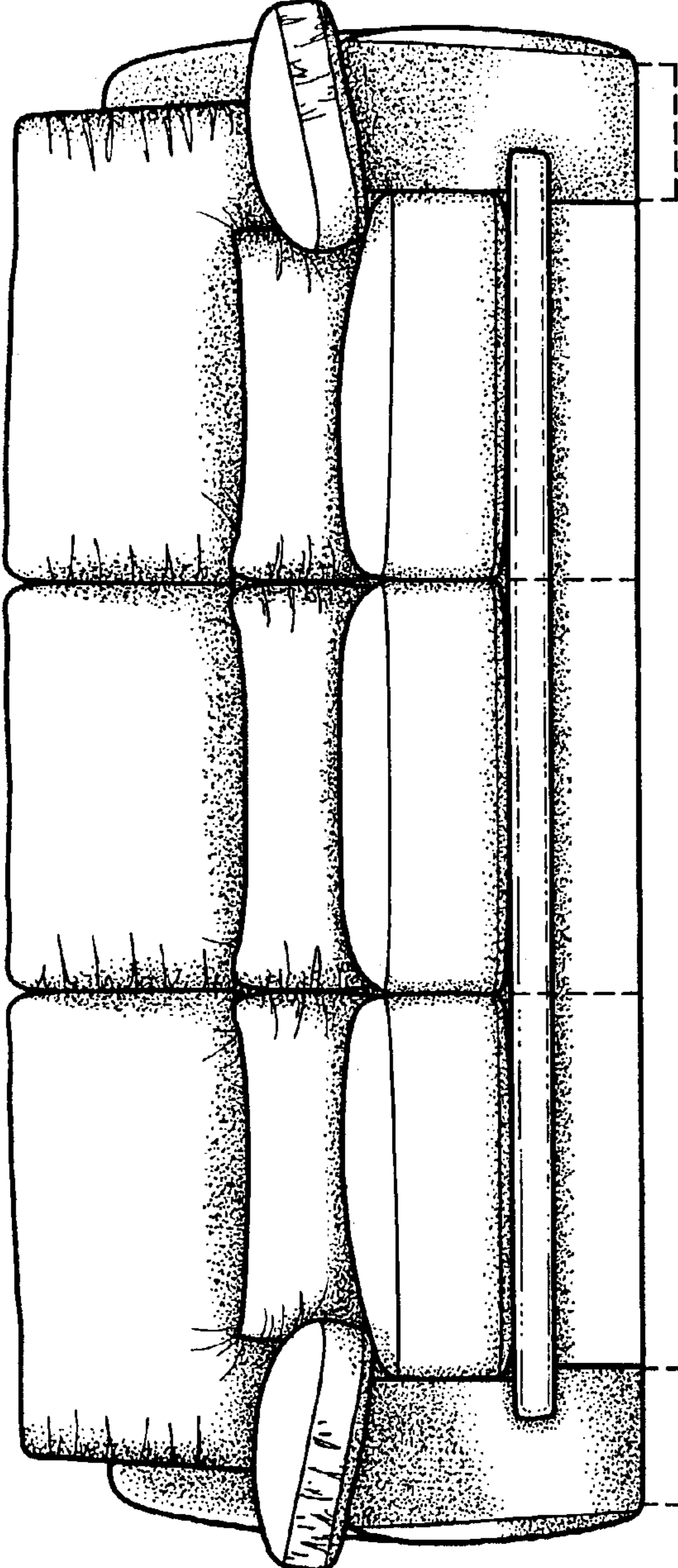


Fig. 2

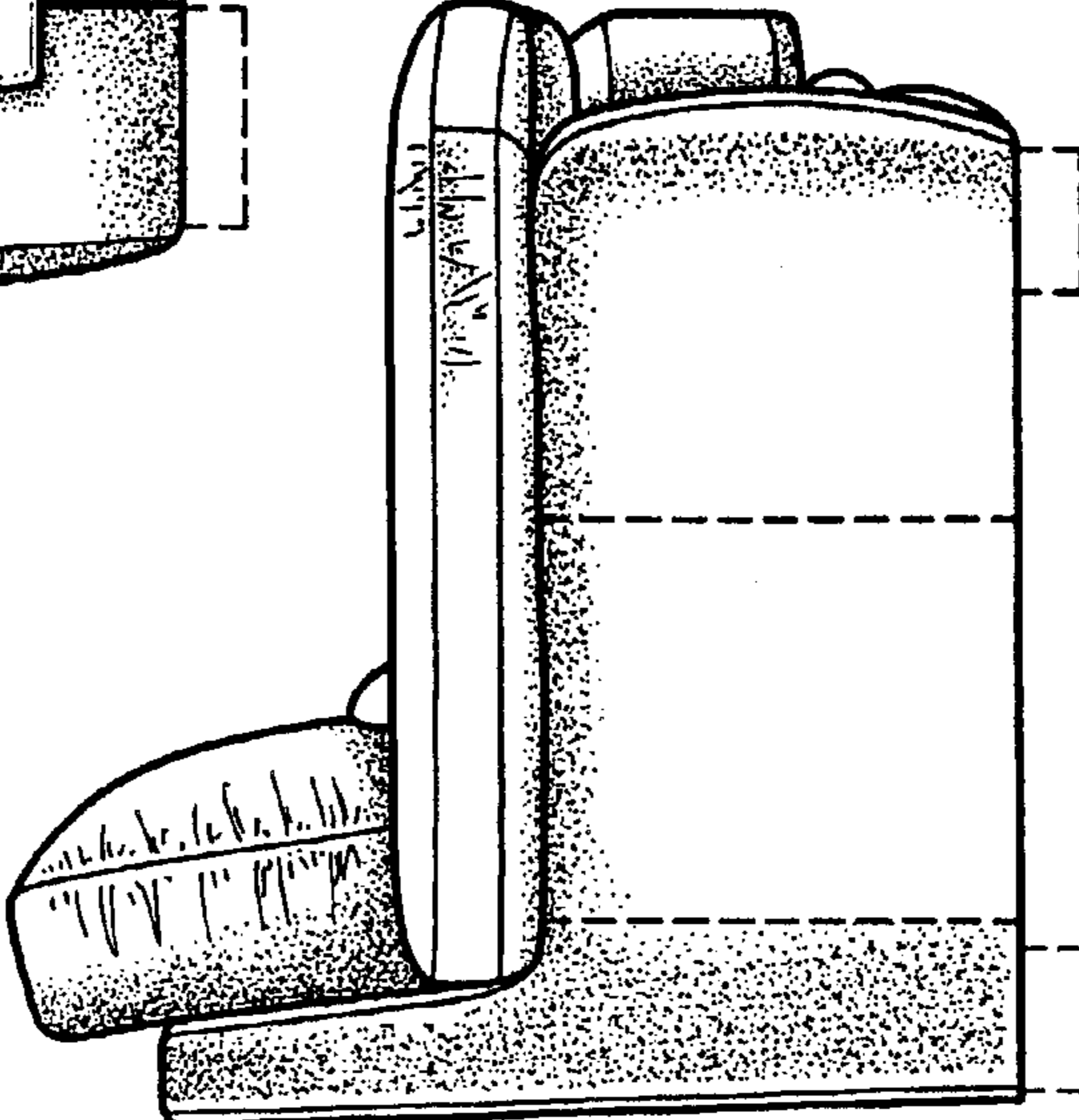


Fig. 3

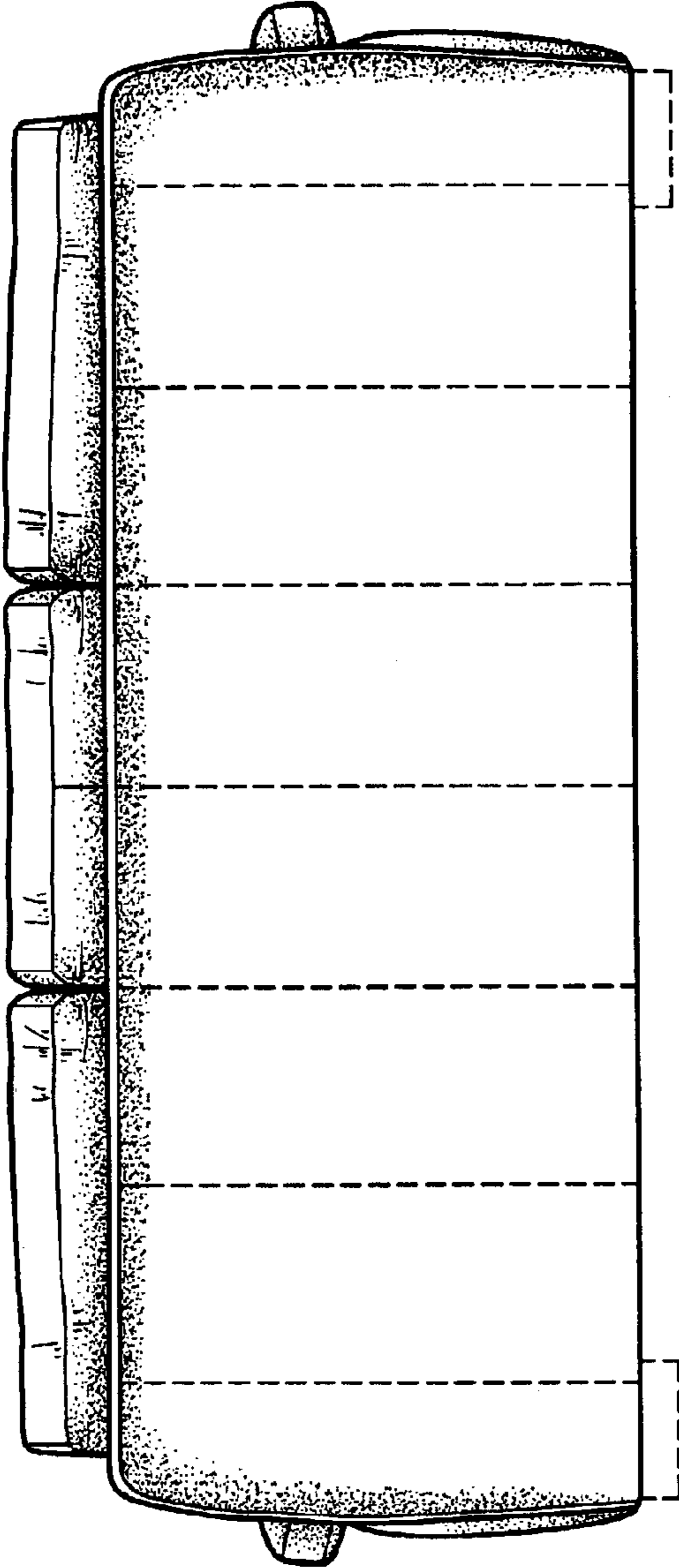


Fig. 4

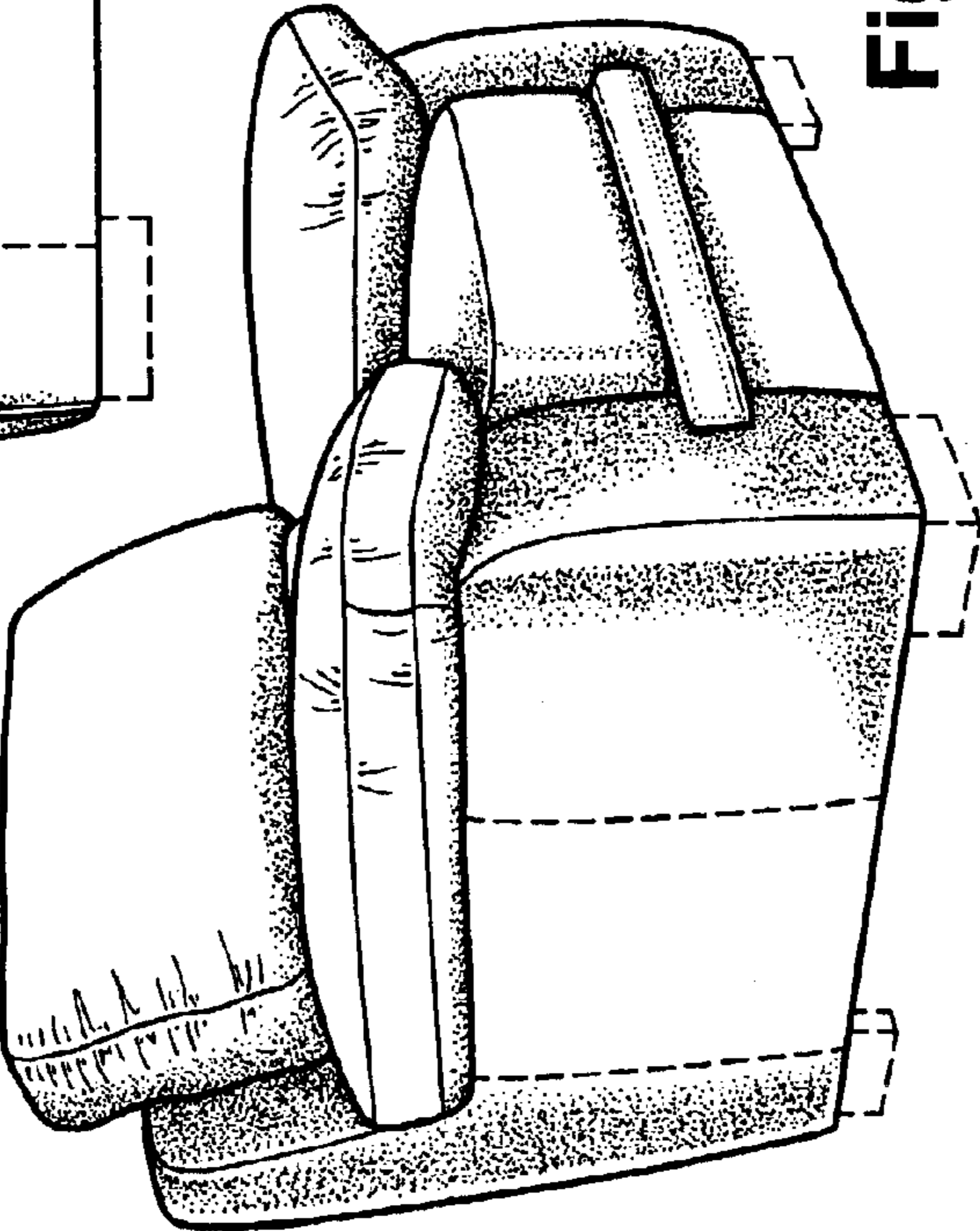


Fig. 5

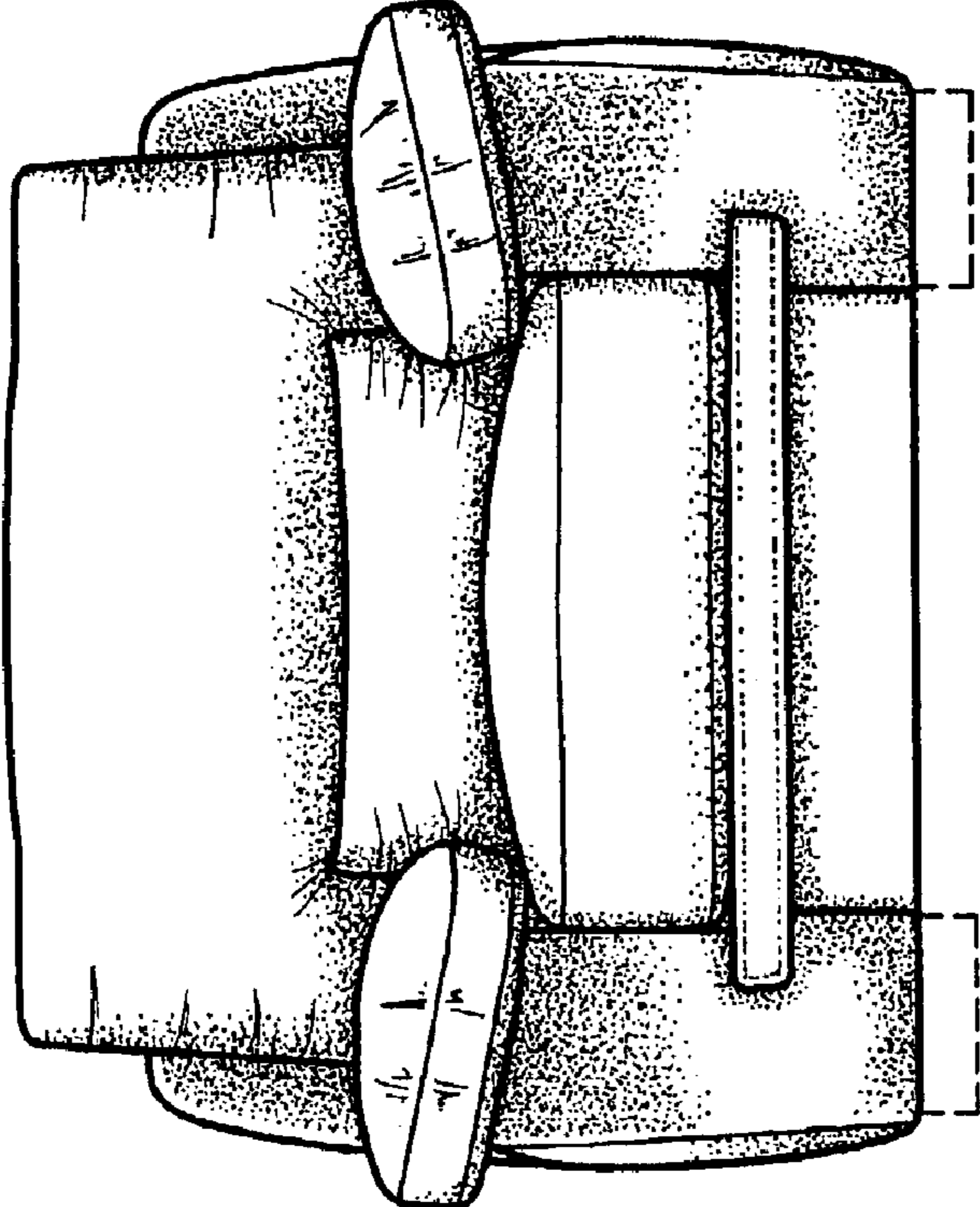


Fig. 6

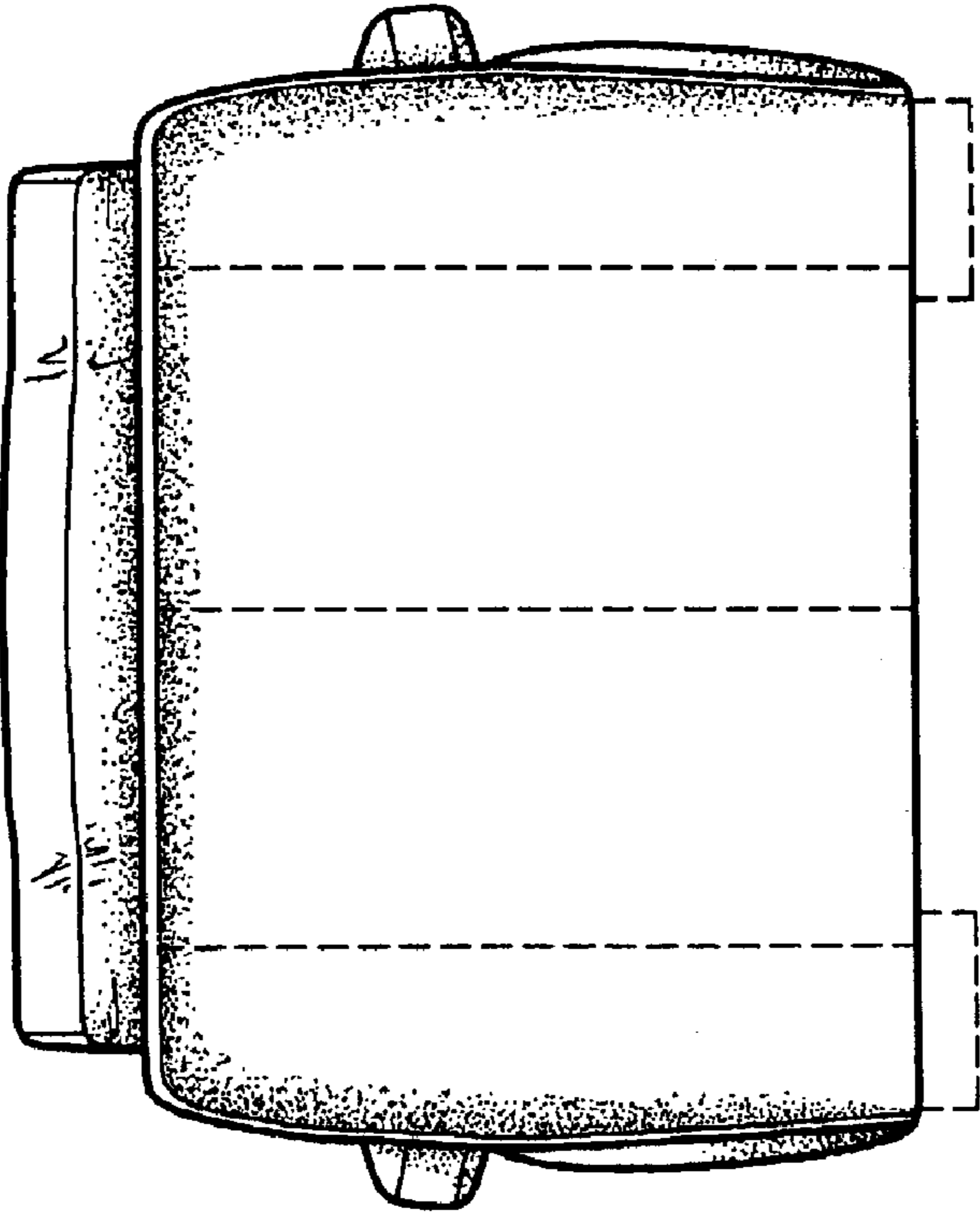


Fig. 7