

US00D502016S

(12) **United States Design Patent** (10) **Patent No.:** **US D502,016 S**
Goodworth (45) **Date of Patent:** **** Feb. 22, 2005**

(54) **DRAFTING STOOL WITH ARMS**

FOREIGN PATENT DOCUMENTS

(75) Inventor: **William H. Goodworth**, Davenport, IA (US)

| | | |
|----|---------|---------|
| BE | 524012 | 11/1953 |
| CA | 1184108 | 3/1985 |
| DE | 626080 | 8/1936 |

(73) Assignee: **HON Technology Inc.**, Muscatine, IA (US)

OTHER PUBLICATIONS

(**) Term: **14 Years**

- www.steelcase.com, Jul. 18, 2001, 1 page.
- www.troelsgrum-schwensen.com, Jul. 16, 2001, 2 pages.
- www.keilhauer.com, Jul. 18, 2001, 1 page.
- www.fixturesfurniture.com, Aug. 8, 2001, 2 pages.
- www.virco.com, Jul. 16, 2001, 1 page.
- www.virco.com, Aug. 8, 2001, 1 page.
- www.visualibrary.com, Feb. 27, 2002, 1 page.
- www.troelsgrum-schwensen.com, Mar. 6, 2002, 1 page.
- www.tribu-design.com, Aug. 13, 2001, 1 page.
- www.plantationpatterns.com, Oct. 1, 2001, 2 pages.
- www.unitedchair.com, 7/01, 1 page.
- www.meritalia.it.it/sedie/eng, Aug. 16, 2001, 1 page.
- www.troelsgrum-schwensen.com, Jul. 24, 2001, 1 page.
- www.scottriceok.com, Jul. 16, 2001, 1 page.
- www.psgerry.com, Sep. 27, 2001, 2 pages.

(21) Appl. No.: **29/181,994**

(22) Filed: **May 19, 2003**

(51) **LOC (7) Cl.** **06-01**

(52) **U.S. Cl.** **D6/366; D6/360**

(58) **Field of Search** D6/334, 335, 360, D6/364, 365, 366, 367, 500, 501, 502; 297/411.2, 423.1, 461

(56) **References Cited**

U.S. PATENT DOCUMENTS

| | | | |
|-----------------|-----------|---------------|--------|
| 1,950,226 A | 3/1934 | Cable | |
| 2,602,489 A | 7/1952 | Holten | |
| 3,475,054 A | 10/1969 | Flint | |
| D274,675 S | * 7/1984 | Diffrient | D6/366 |
| D277,443 S | * 2/1985 | Murry | D6/366 |
| D279,246 S | 6/1985 | Murry | |
| D303,597 S | 9/1989 | Kaminski | |
| D303,598 S | 9/1989 | Tornero | |
| D309,382 S | * 7/1990 | Buhk | D6/360 |
| D366,089 S | 1/1996 | Ackerson, Jr. | |
| 5,697,673 A | 12/1997 | Favaretto | |
| D401,453 S | 11/1998 | Holt | |
| D408,161 S | 4/1999 | Caruso | |
| D435,746 S | 1/2001 | Diffrient | |
| D438,392 S | 3/2001 | Lucci et al. | |
| D439,452 S | 3/2001 | Turner et al. | |
| D440,797 S | 4/2001 | Norman | |
| D447,351 S | 9/2001 | Sato | |
| D453,633 S | 2/2002 | Diffrient | |
| D456,627 S | * 5/2002 | Pearce et al. | D6/366 |
| D465,938 S | * 11/2002 | Huang | D6/366 |
| D475,210 S | * 6/2003 | Tsai | D6/366 |
| D483,193 S | * 12/2003 | Goodworth | D6/366 |
| 2002/0005658 A1 | 1/2002 | Piretti | |

* cited by examiner

Primary Examiner—Gary D. Watson
(74) *Attorney, Agent, or Firm*—Joseph H. Golant; Jones Day

(57) **CLAIM**

The ornamental design for a drafting stool with arms, as shown and described.

DESCRIPTION

- FIG. 1 is a front isometric view of the drafting stool with arms showing the new design.
- FIG. 2 is a front view thereof.
- FIG. 3 is a left side elevation view thereof.
- FIG. 4 is a right side elevation view thereof.
- FIG. 5 is a rear view thereof.
- FIG. 6 is a top plan view thereof; and,
- FIG. 7 is a bottom plan view thereof.

1 Claim, 4 Drawing Sheets

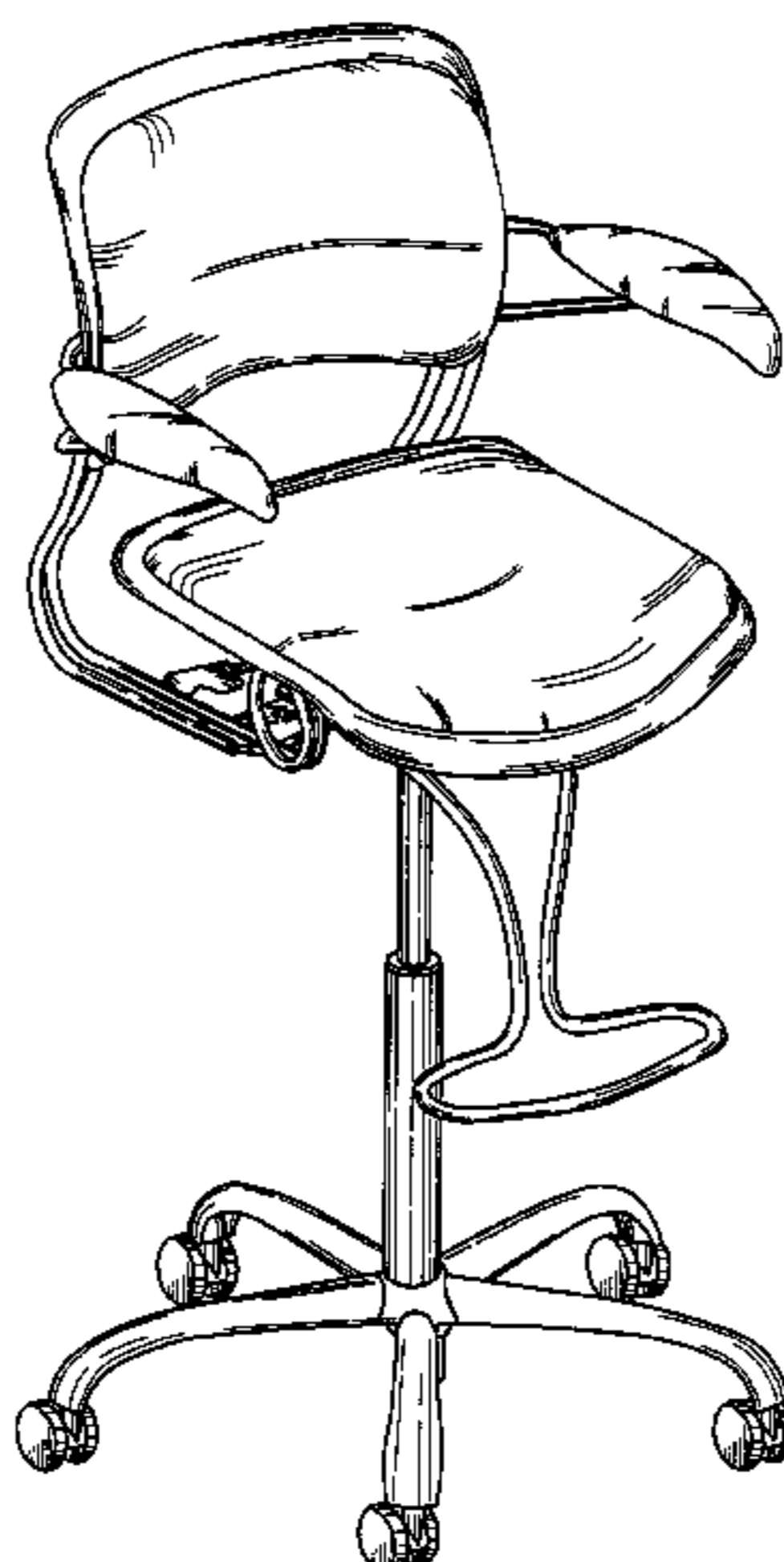


Fig. 1

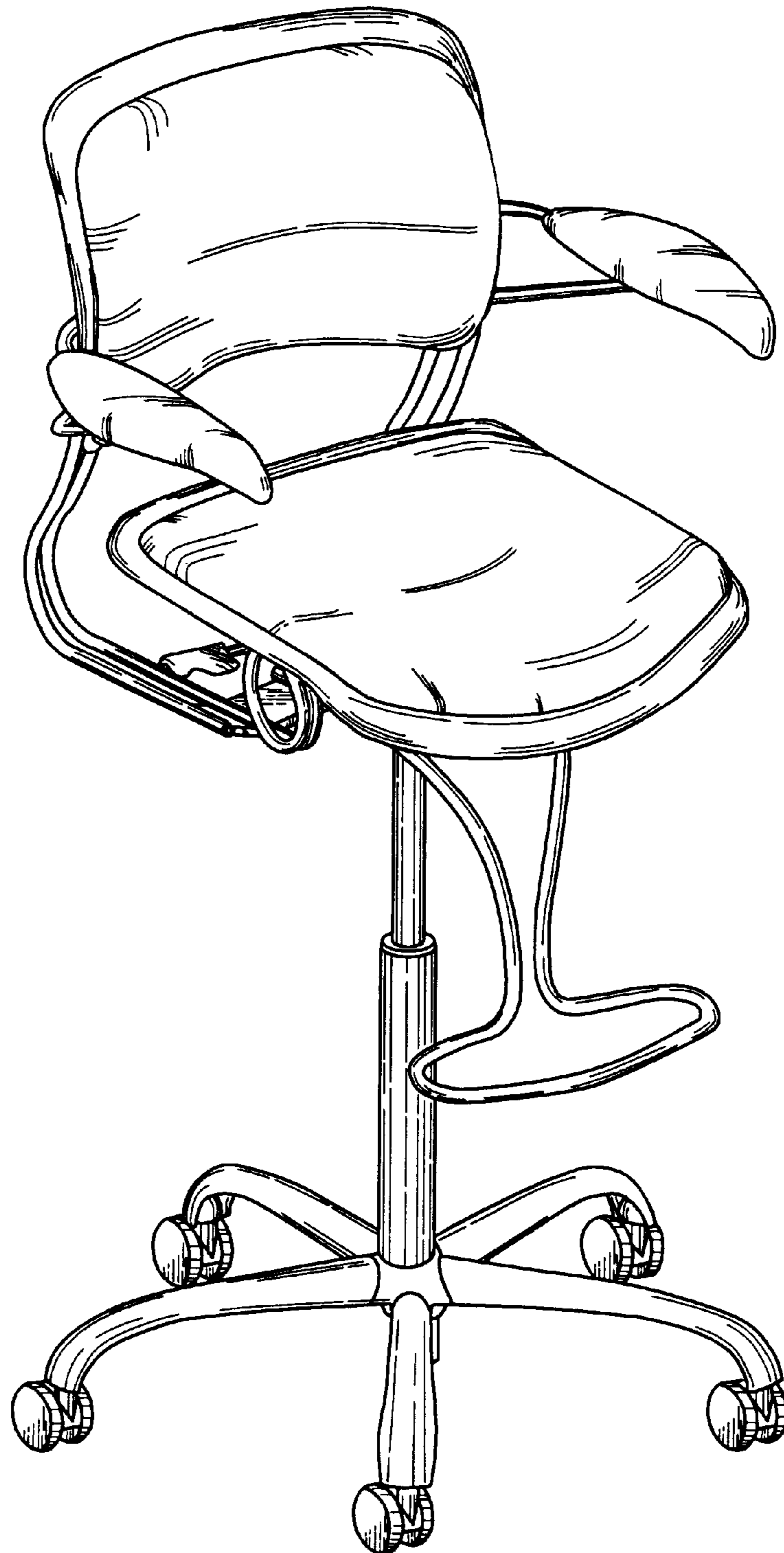


Fig. 2

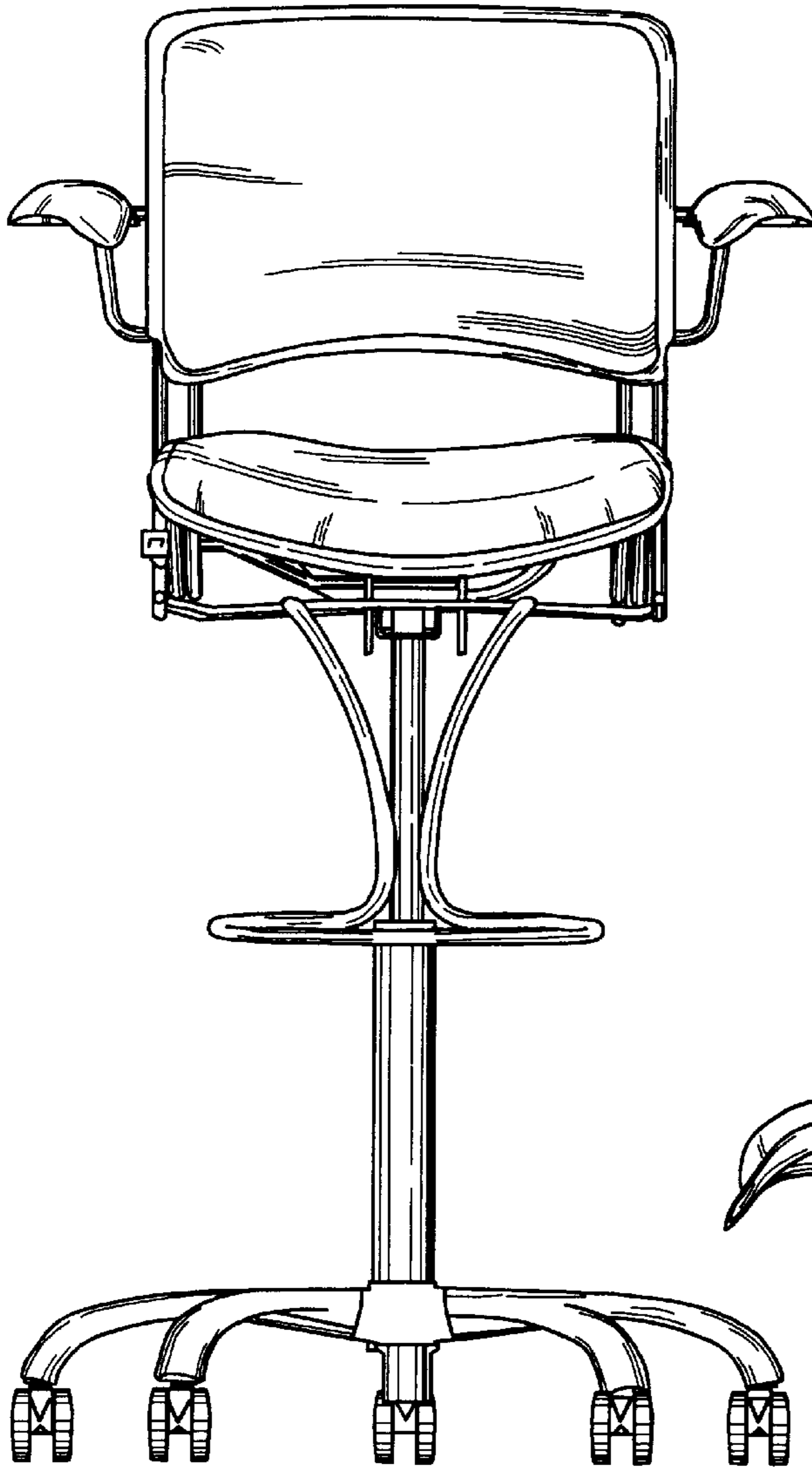


Fig. 3

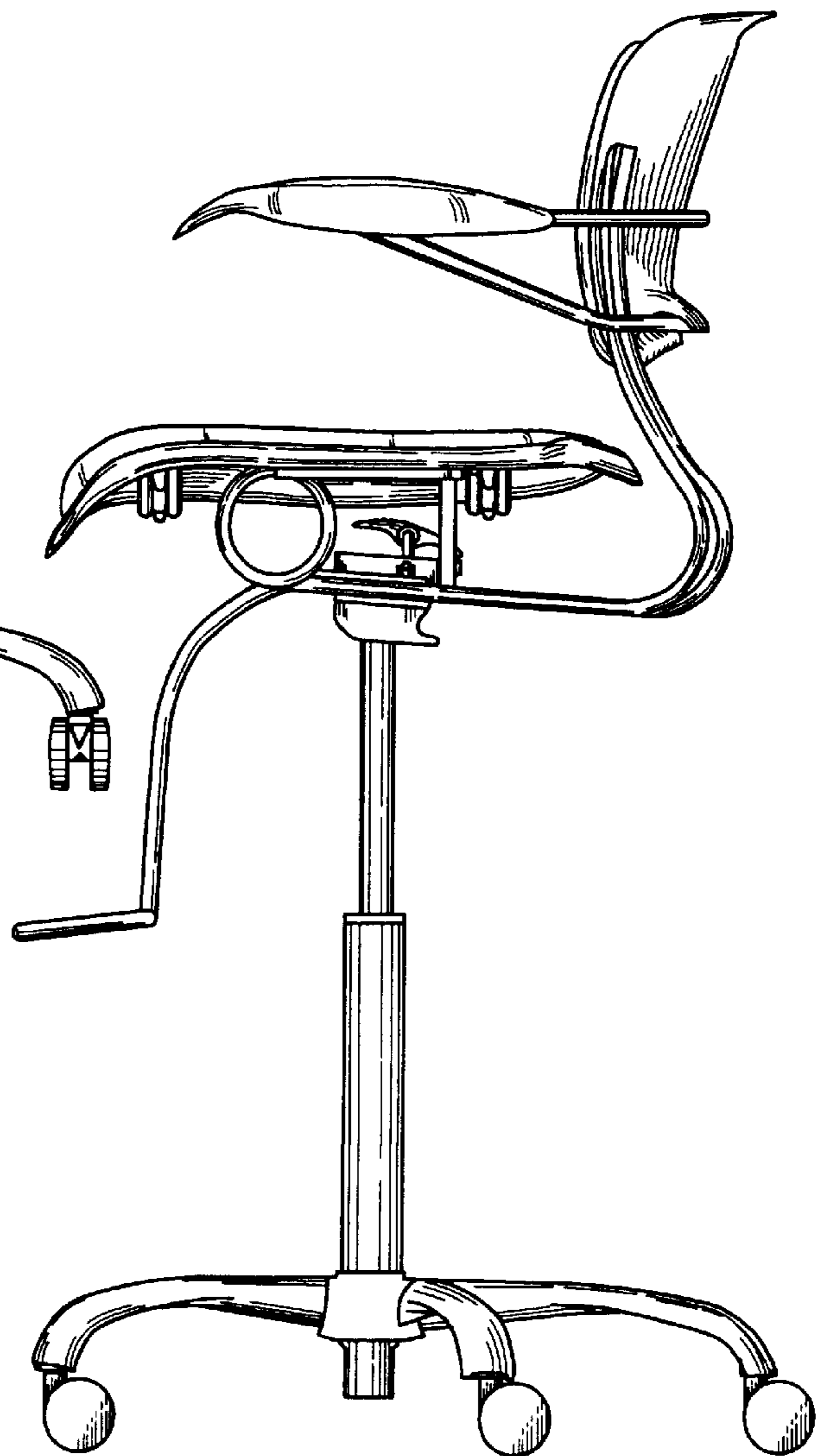


Fig. 4

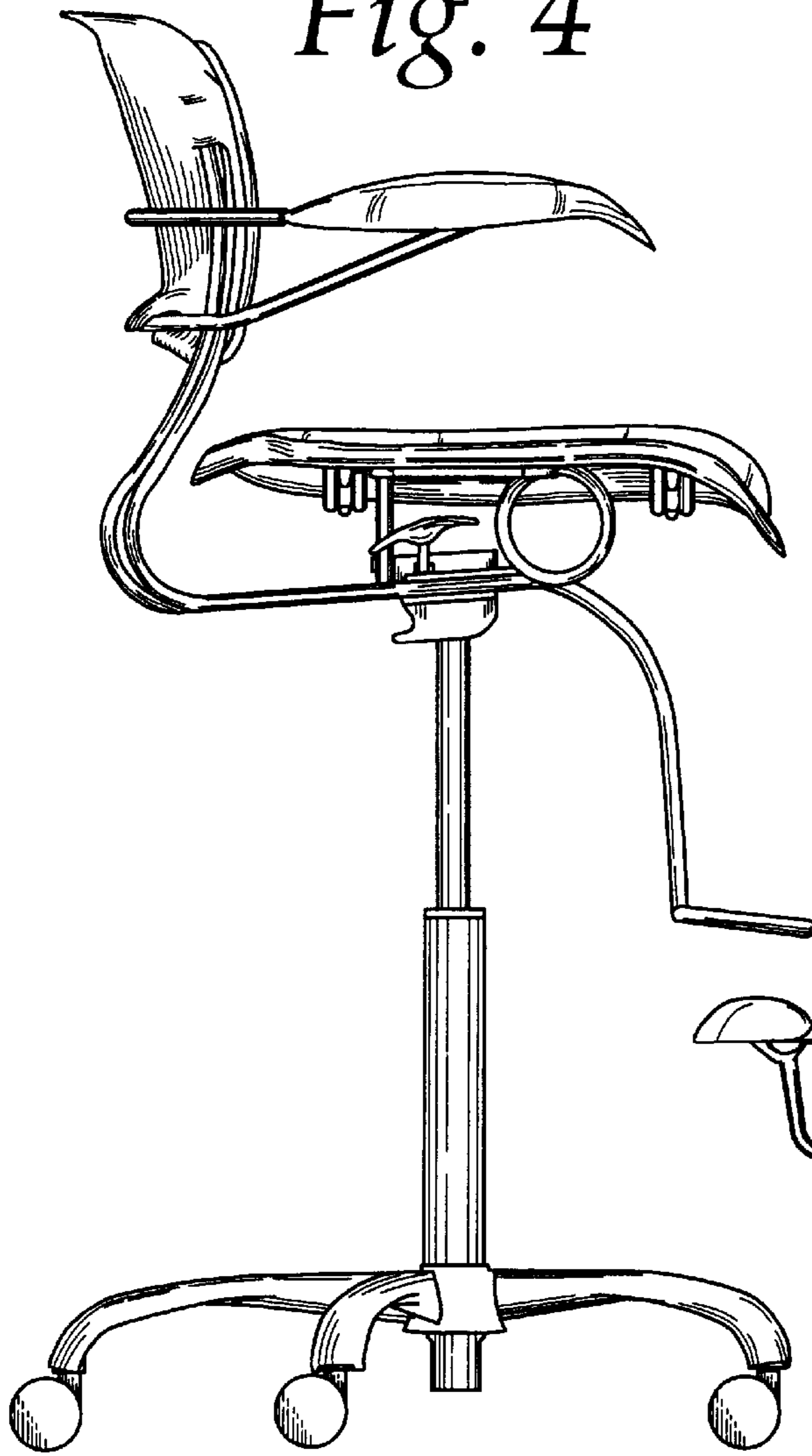


Fig. 5

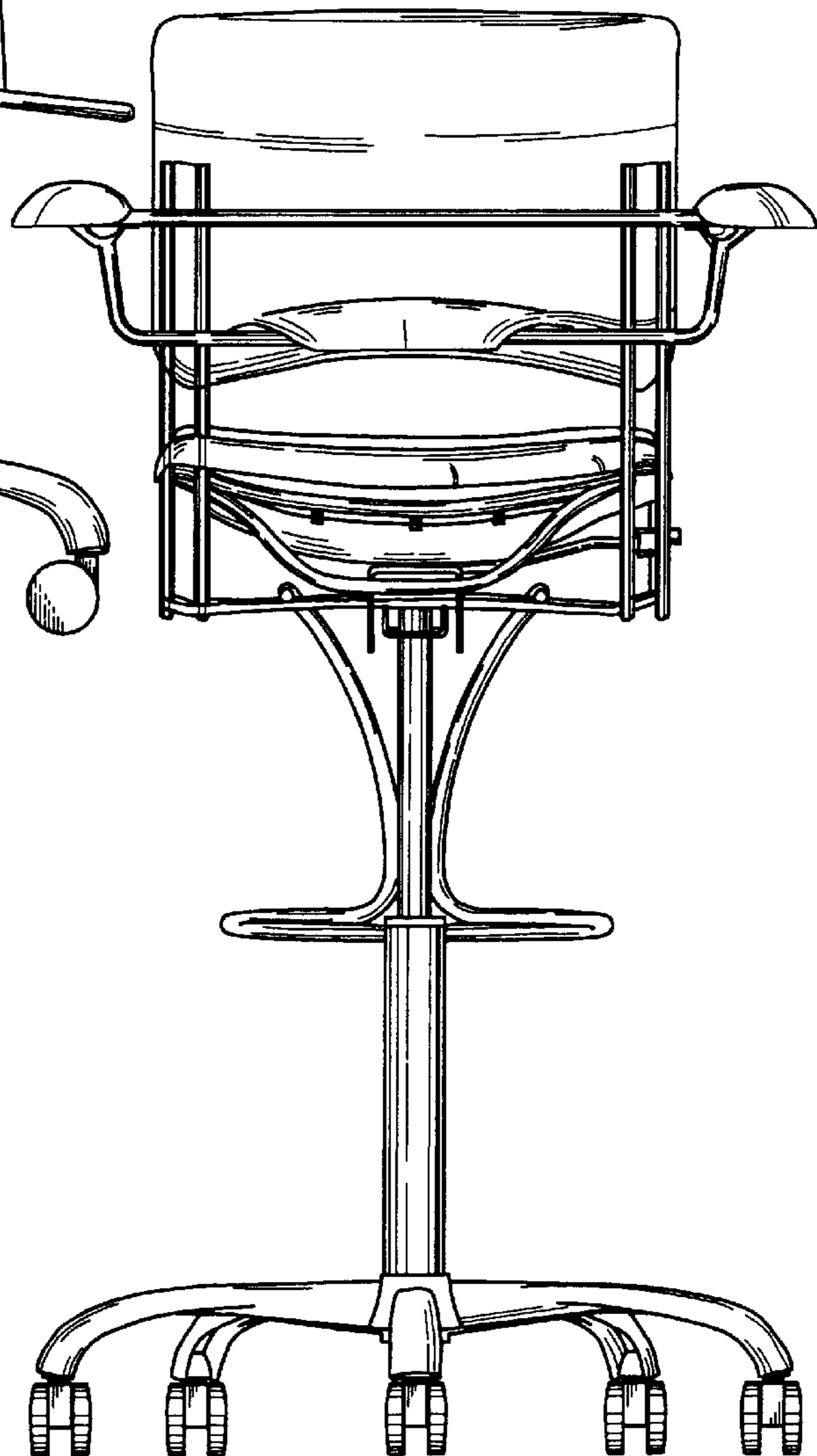


Fig. 6

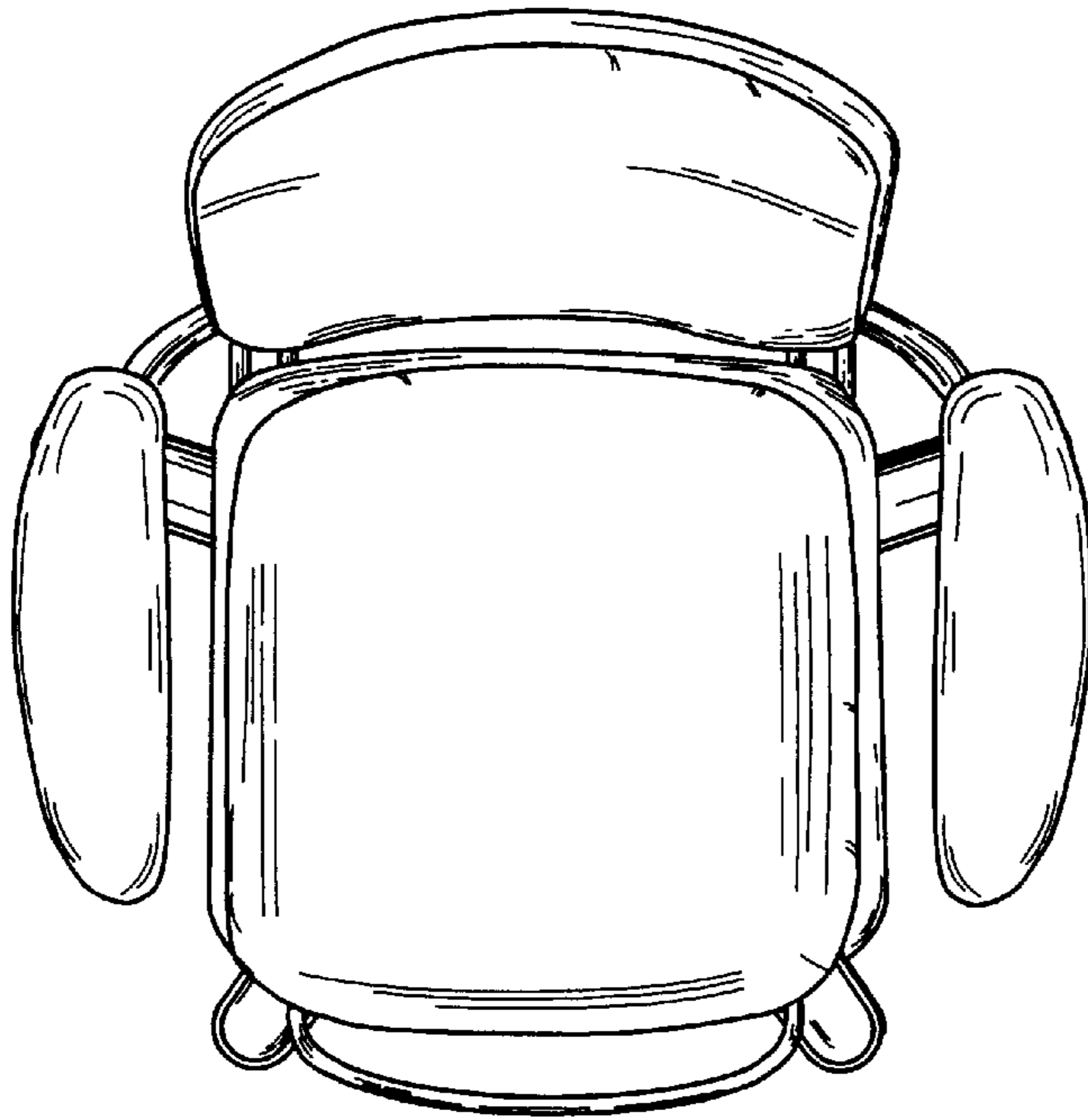


Fig. 7

