

US00D502015S

(12) **United States Design Patent**  
**Hollett et al.**

(10) **Patent No.: US D502,015 S**  
(45) **Date of Patent: \*\* Feb. 22, 2005**

(54) **TODDLER BOOTH AND CHAIR SEAT**

(75) Inventors: **Stephen M. Hollett**, 4 Woodward La.,  
Durham, NC (US) 27713; **Joann**  
**Yue-Hollett**, Durham, NC (US)

(73) Assignee: **Stephen M. Hollett**, Cary, NC (US)

(\*\*) Term: **14 Years**

(21) Appl. No.: **29/185,530**

(22) Filed: **Jun. 27, 2003**

(51) **LOC (7) Cl.** ..... **06-01**

(52) **U.S. Cl.** ..... **D6/335**

(58) **Field of Search** ..... D6/333, 334, 335,  
D6/339, 367, 371-375, 500-502; 297/158.1,  
250.1, 256.11, 256.15, 118; 108/33

(56) **References Cited**

**U.S. PATENT DOCUMENTS**

D205,840 S	*	9/1966	Jones et al.	.....	D6/335
D218,420 S	*	8/1970	Weidner	.....	D6/338
D220,997 S	*	6/1971	Svezia et al.	.....	D6/335
D221,425 S	*	8/1971	Pasakarnis	.....	D6/371
D280,578 S	*	9/1985	Holden	.....	D6/367
4,854,638 A	*	8/1989	Marcus et al.	.....	297/256.11
D360,534 S	*	7/1995	Gempton	.....	D6/334

\* cited by examiner

*Primary Examiner*—Mimosa De

(74) *Attorney, Agent, or Firm*—Jenkins, Wilson & Taylor,  
P.A.

(57) **CLAIM**

The ornamental design for a toddler booth and chair seat, as shown and described.

**DESCRIPTION**

FIG. 1 is a top perspective view of a toddler booth and chair seat according to the present invention;

FIG. 2 is a bottom perspective view of a toddler booth and chair seat according to the present invention;

FIG. 3 is a top plan view of a toddler booth and chair seat according to the present invention;

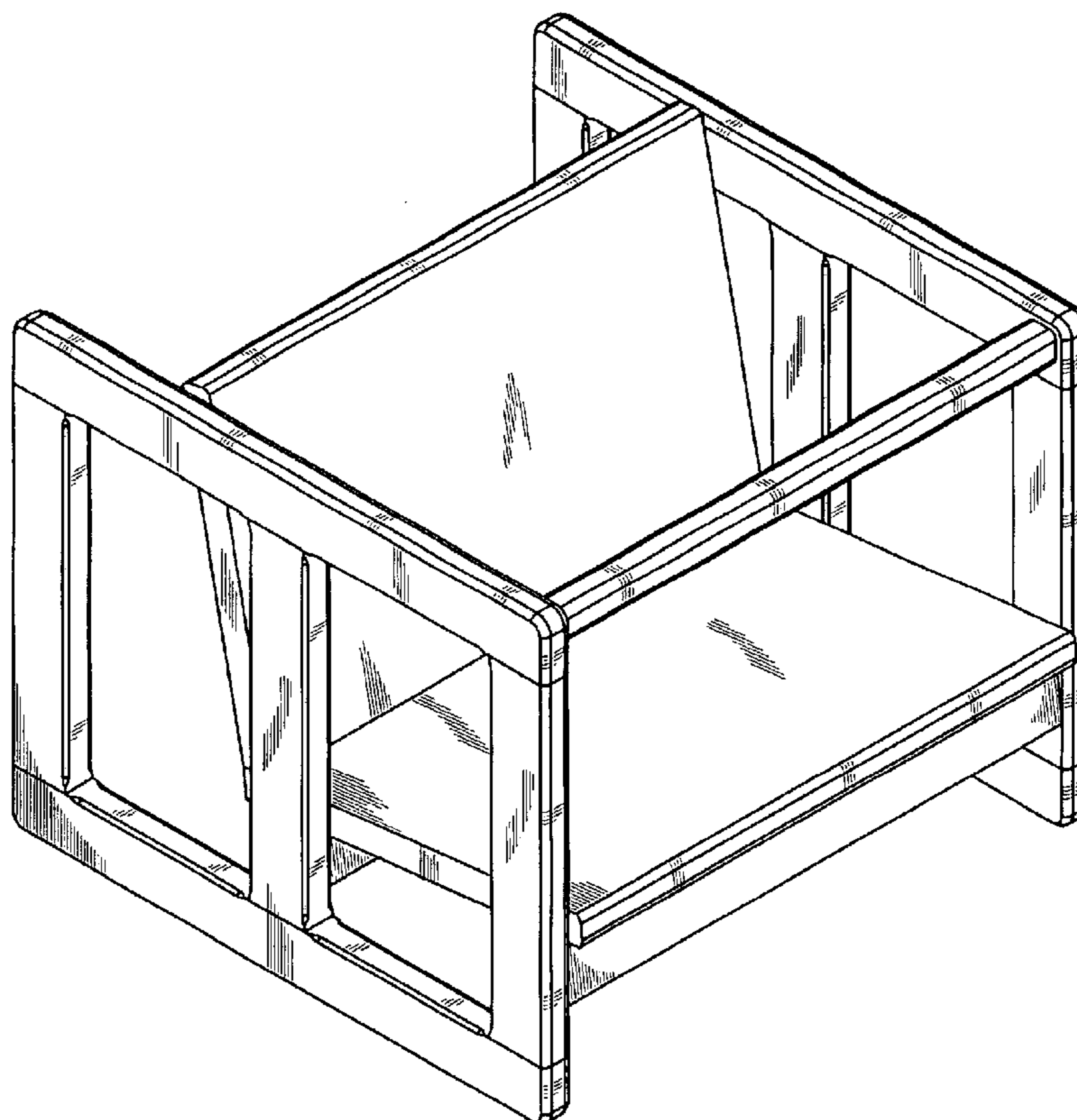
FIG. 4 is a bottom plan view of a toddler booth and chair seat according to the present invention;

FIG. 5 is a left end view of a toddler booth and chair seat according to the present invention and wherein the right end view is a mirror image of the left end view;

FIG. 6 is a front view of a toddler booth and chair seat according to the present invention; and,

FIG. 7 is a rear view of a toddler booth and chair seat according to the present invention.

**1 Claim, 7 Drawing Sheets**



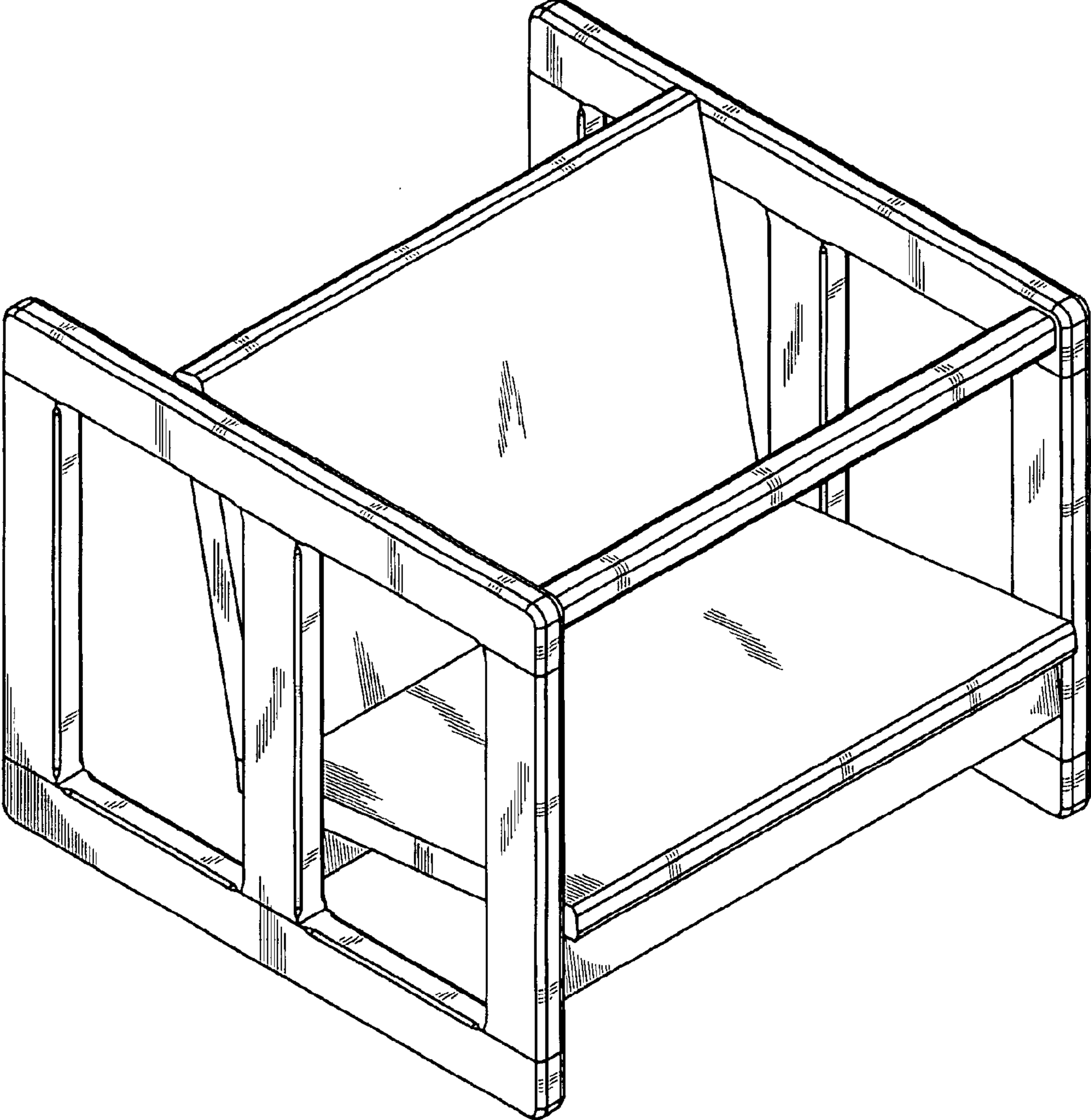


FIG. 1

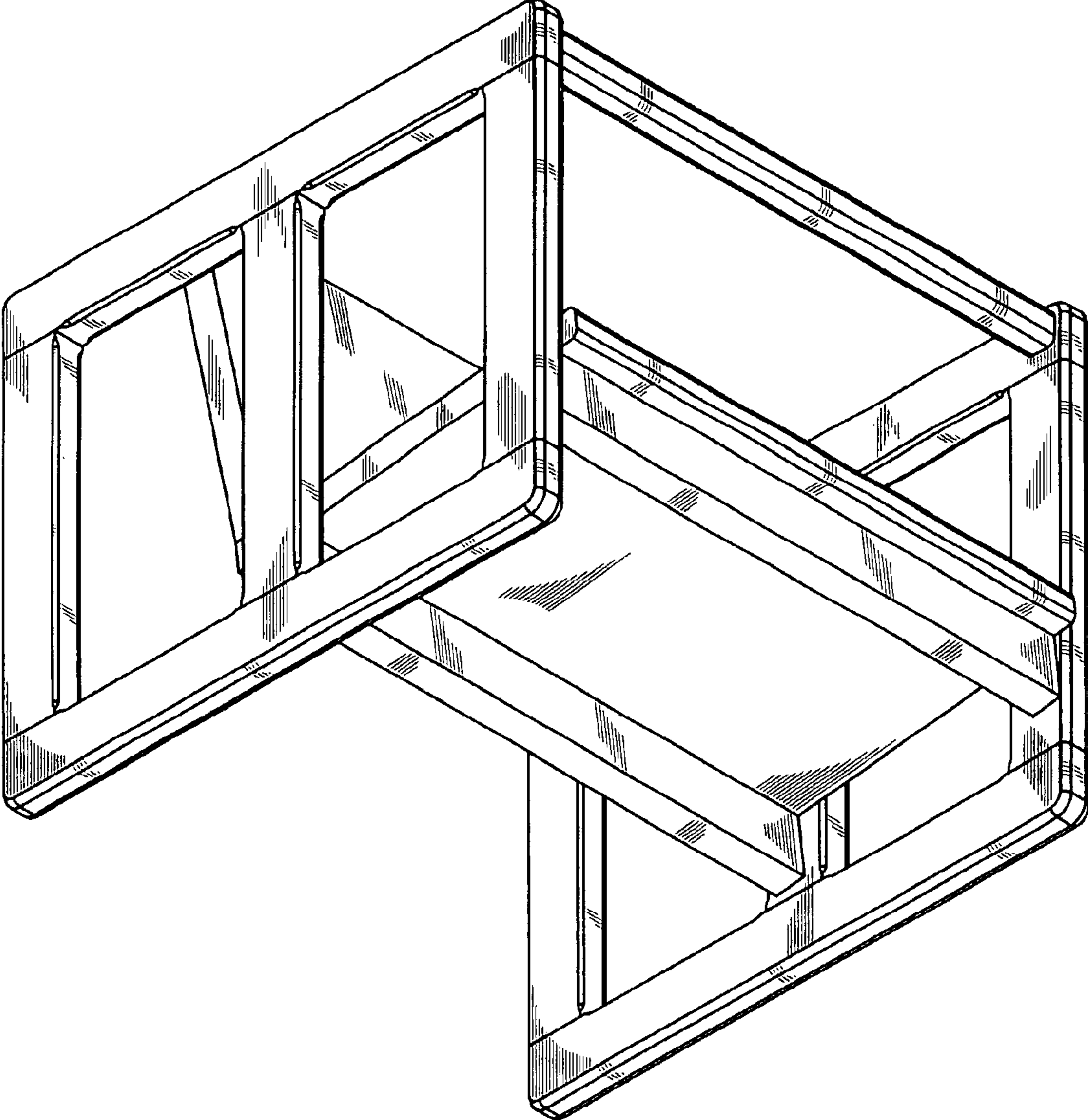


FIG. 2

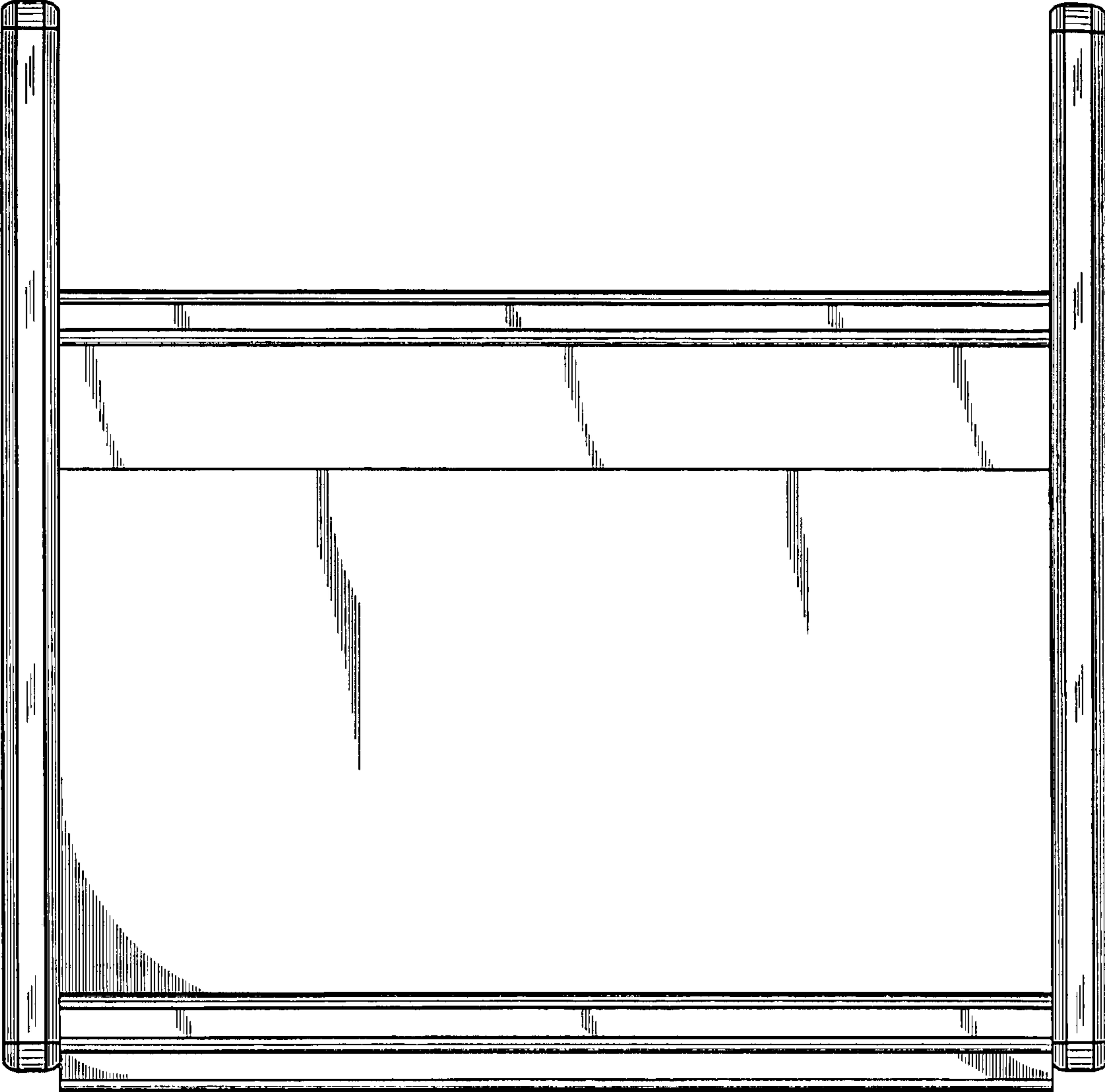


FIG. 3

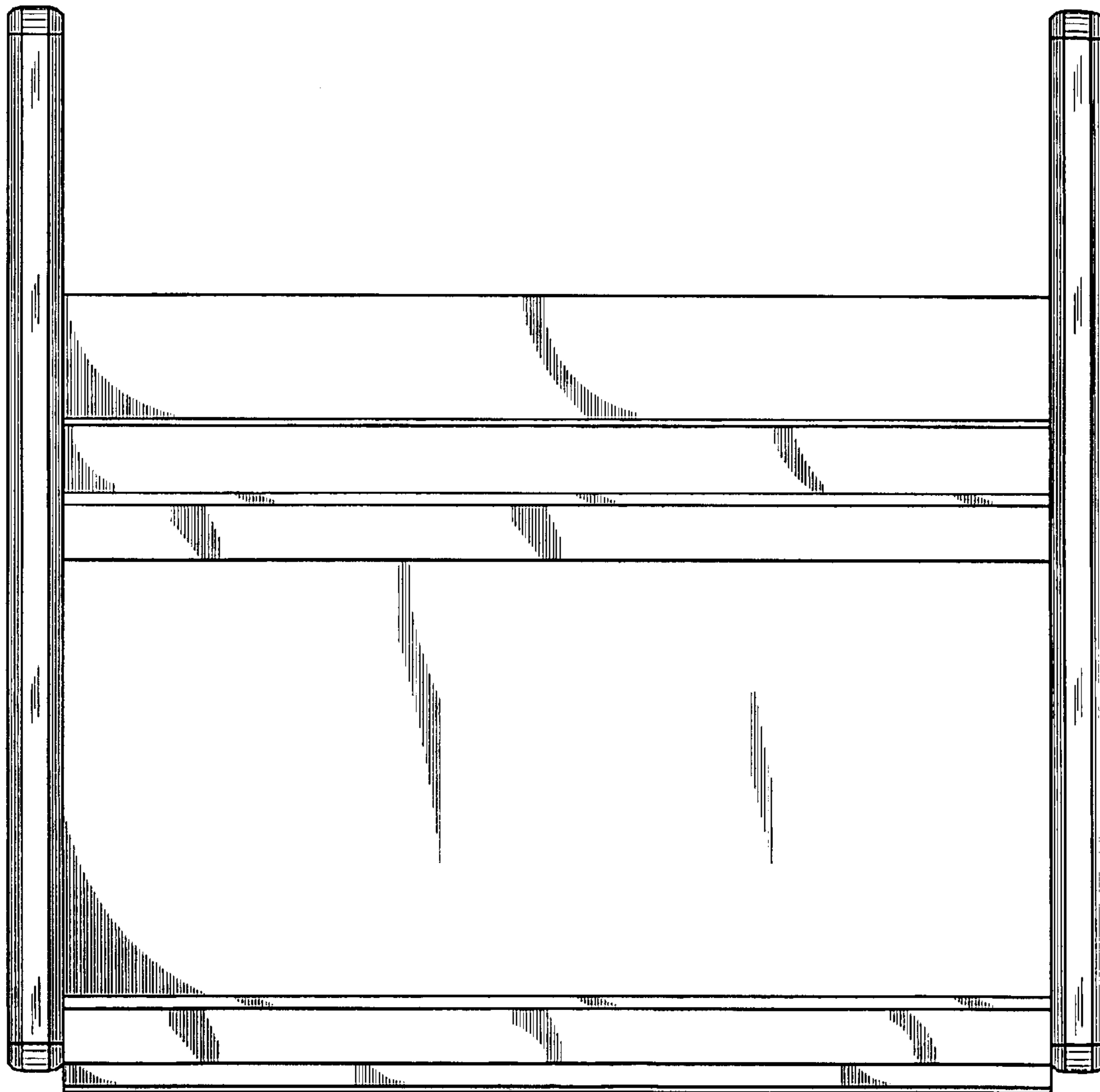


FIG. 4

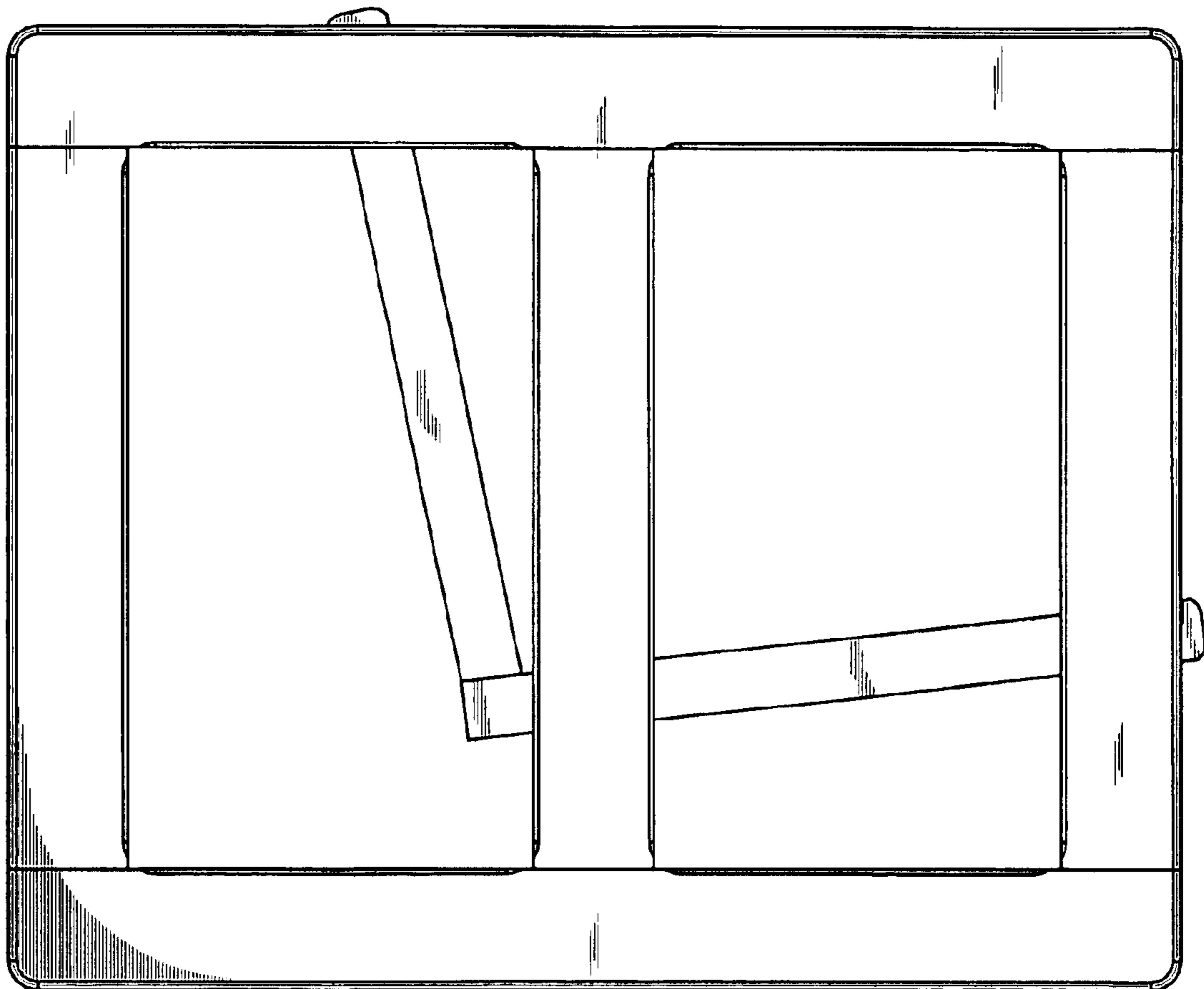


FIG. 5

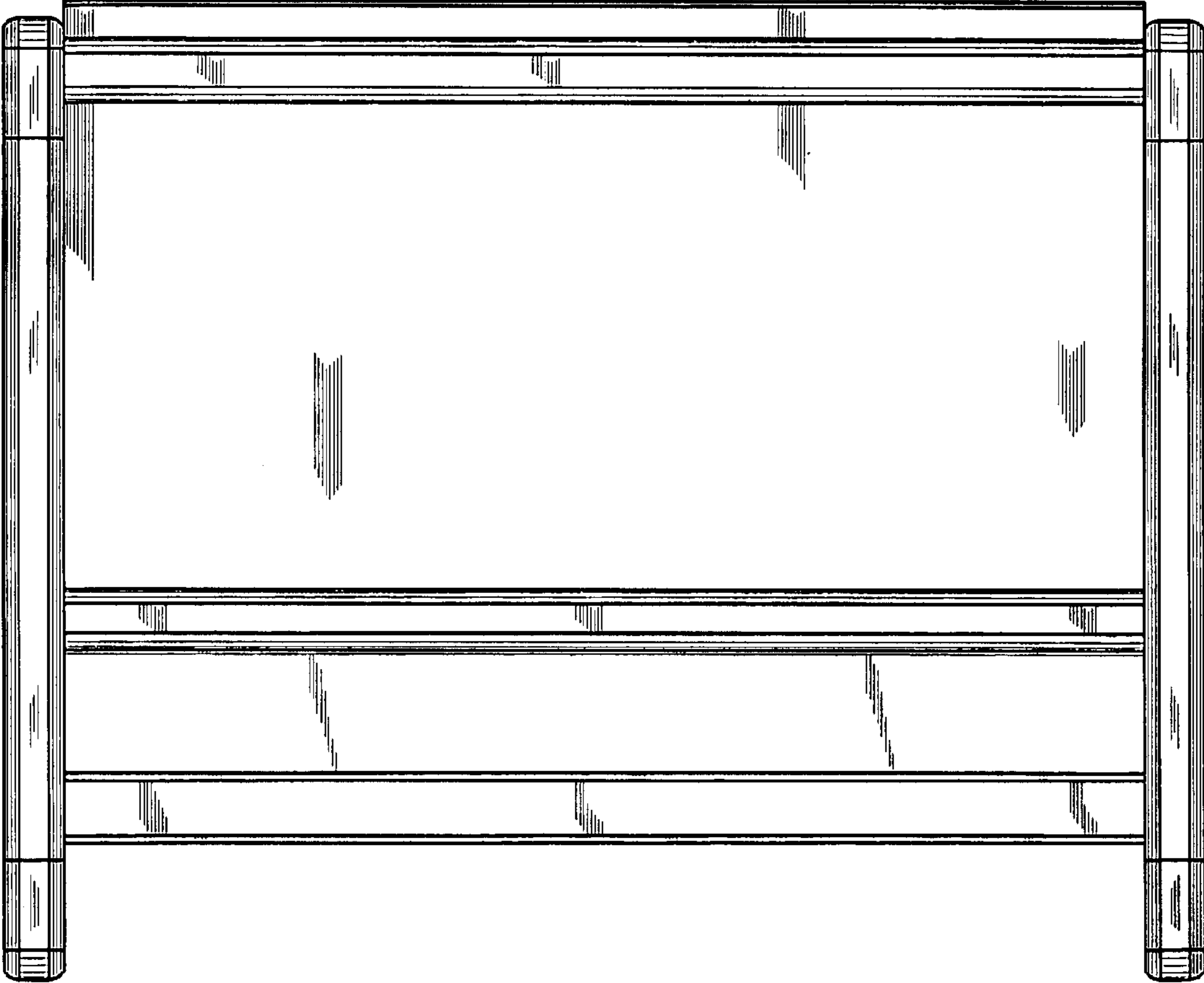


FIG. 6

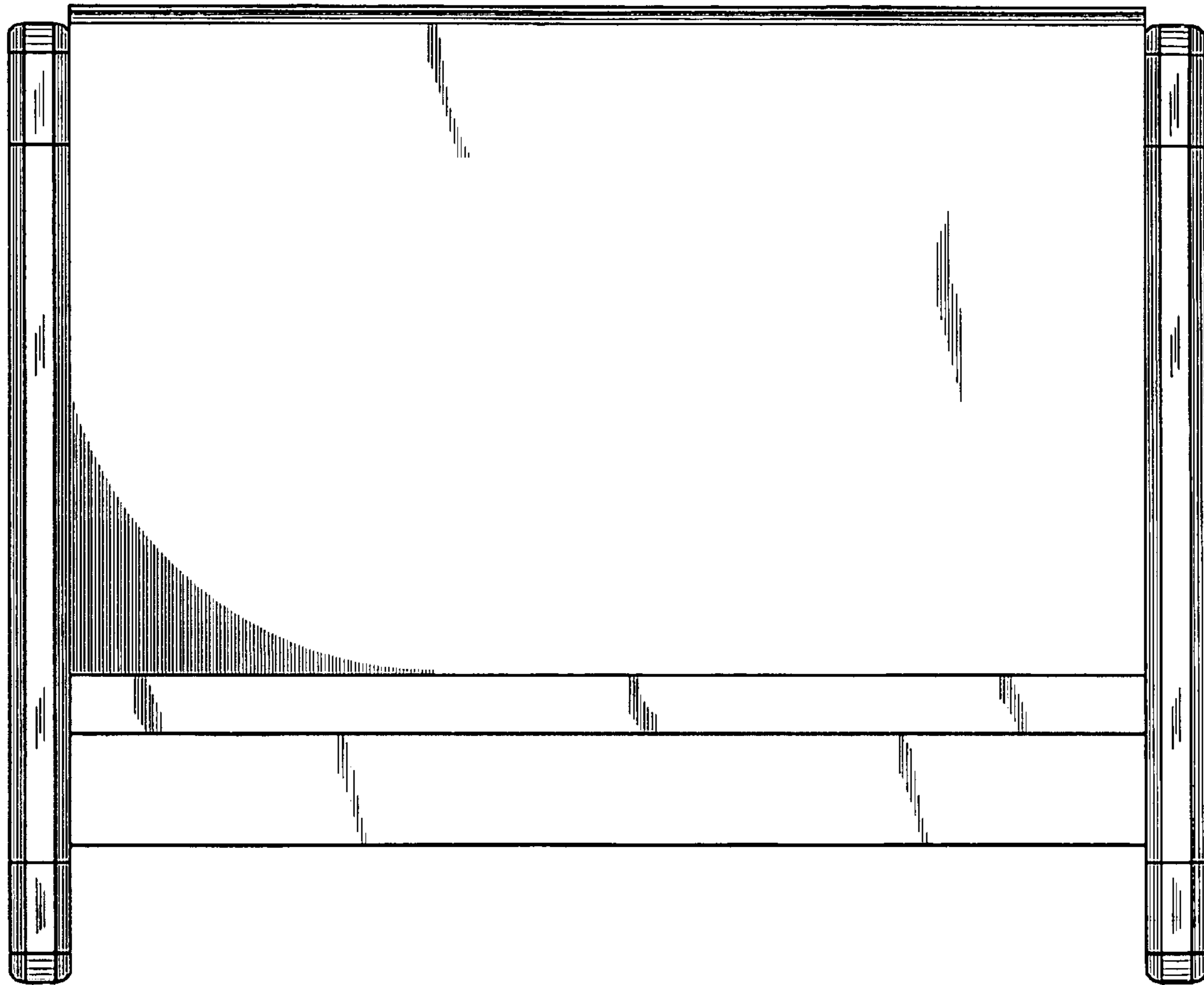


FIG. 7