



US00D502012S

(12) **United States Design Patent**
Greiner

(10) **Patent No.:** **US D502,012 S**

(45) **Date of Patent:** **** Feb. 22, 2005**

(54) **GARMENT HANGER**

(76) **Inventor:** **Lori Greiner**, 1301 Dearborn Pkwy.,
Suite 402, Chicago, IL (US) 60610

(**) **Term:** **14 Years**

(21) **Appl. No.:** **29/202,373**

(22) **Filed:** **Mar. 30, 2004**

(51) **LOC (7) Cl.** **06-08**

(52) **U.S. Cl.** **D6/326**

(58) **Field of Search** D6/326, 325, 318,
D6/323, 319, 315; 223/85, 90, 91, 93, 96

(56) **References Cited**

U.S. PATENT DOCUMENTS

| | | | | |
|---------------|---------|-------------|-------|--------|
| 886,042 A * | 4/1908 | De Frear | | 223/91 |
| 1,596,403 A * | 8/1926 | Chidley | | 223/88 |
| 1,893,508 A * | 1/1933 | Rosenberg | | 24/331 |
| 2,455,258 A * | 11/1948 | Levitin | | 24/501 |
| D168,378 S * | 12/1952 | Saviolidis | | D6/319 |
| D265,156 S * | 6/1982 | Bisk et al. | | D6/317 |
| D297,286 S * | 8/1988 | Blanchard | | D6/326 |
| D297,486 S * | 9/1988 | Jaffe | | D6/328 |
| D319,927 S * | 9/1991 | Beverly | | D6/326 |
| 5,927,570 A * | 7/1999 | Beverly | | 223/88 |
| D464,813 S * | 10/2002 | Lin | | D6/326 |

OTHER PUBLICATIONS

U.S. Des. Appl. No. 29/202,374, filed Mar. 30, 2004, Title:
Garment Hanger, Applicant: Lori Greiner.

U.S. Des. Appl. No. 29/202,375, filed: Mar. 30, 2004, Title:
Garment Hanger, Applicant: Lori Greiner.

U.S. Appl. No. 10/821,110, filed: Apr. 8, 2004, Title: Gar-
ment Hanger, Applicant: Lori Greiner.

* cited by examiner

Primary Examiner—Stella Reid

Assistant Examiner—Shanda C. Hill

(74) *Attorney, Agent, or Firm*—Natalie D. Kadievitch;
Fredrikson & Byron, P.A.

(57) **CLAIM**

The ornamental design for a garment hanger, as shown and
described.

DESCRIPTION

FIG. 1 is a perspective view of a garment hanger showing
my design.

FIG. 2 is a front view thereof;

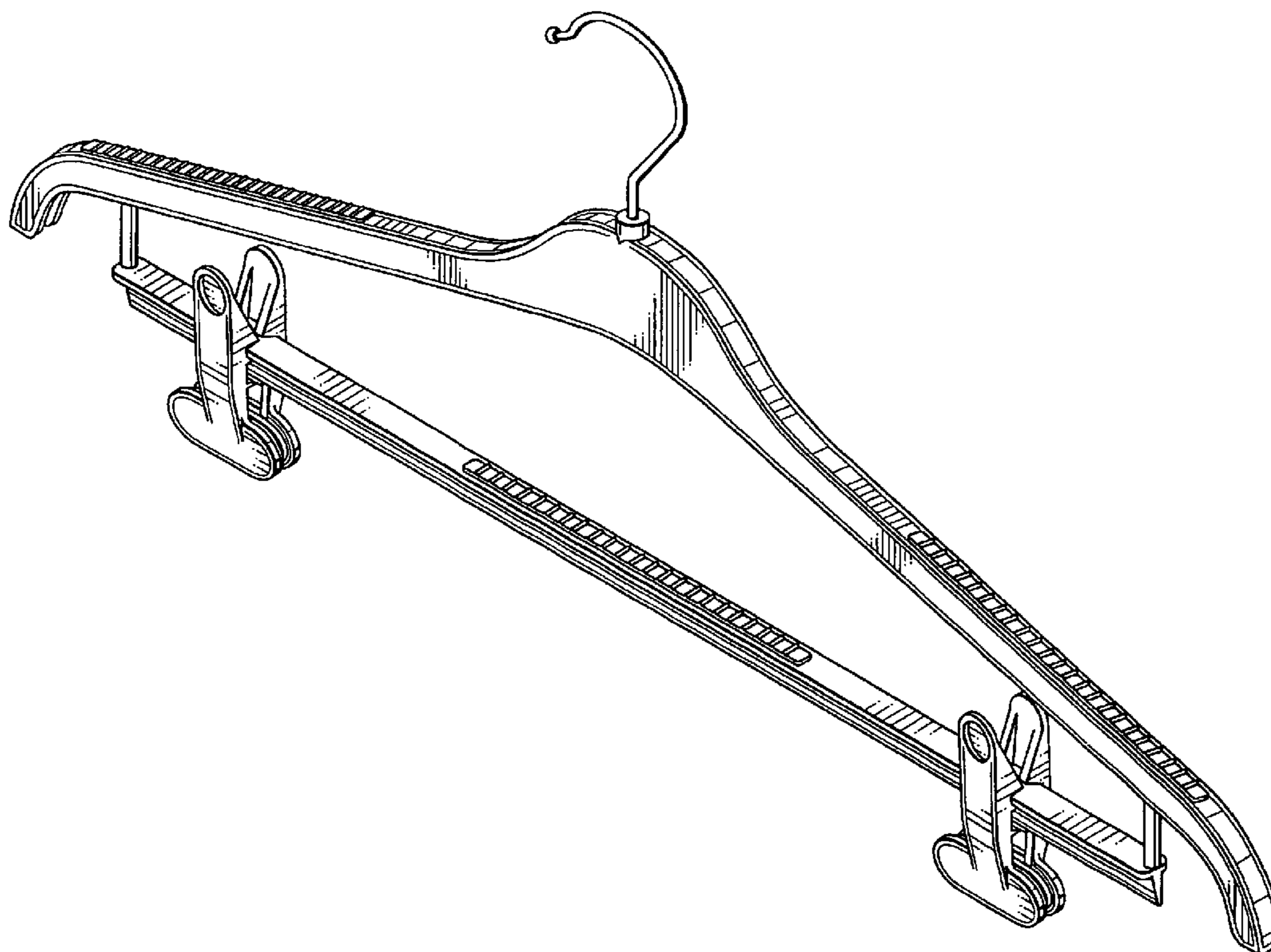
FIG. 3 is a top view thereof;

FIG. 4 is a bottom view thereof;

FIG. 5 is a right side view thereof; and,

FIG. 6 is a left side view thereof.

1 Claim, 4 Drawing Sheets



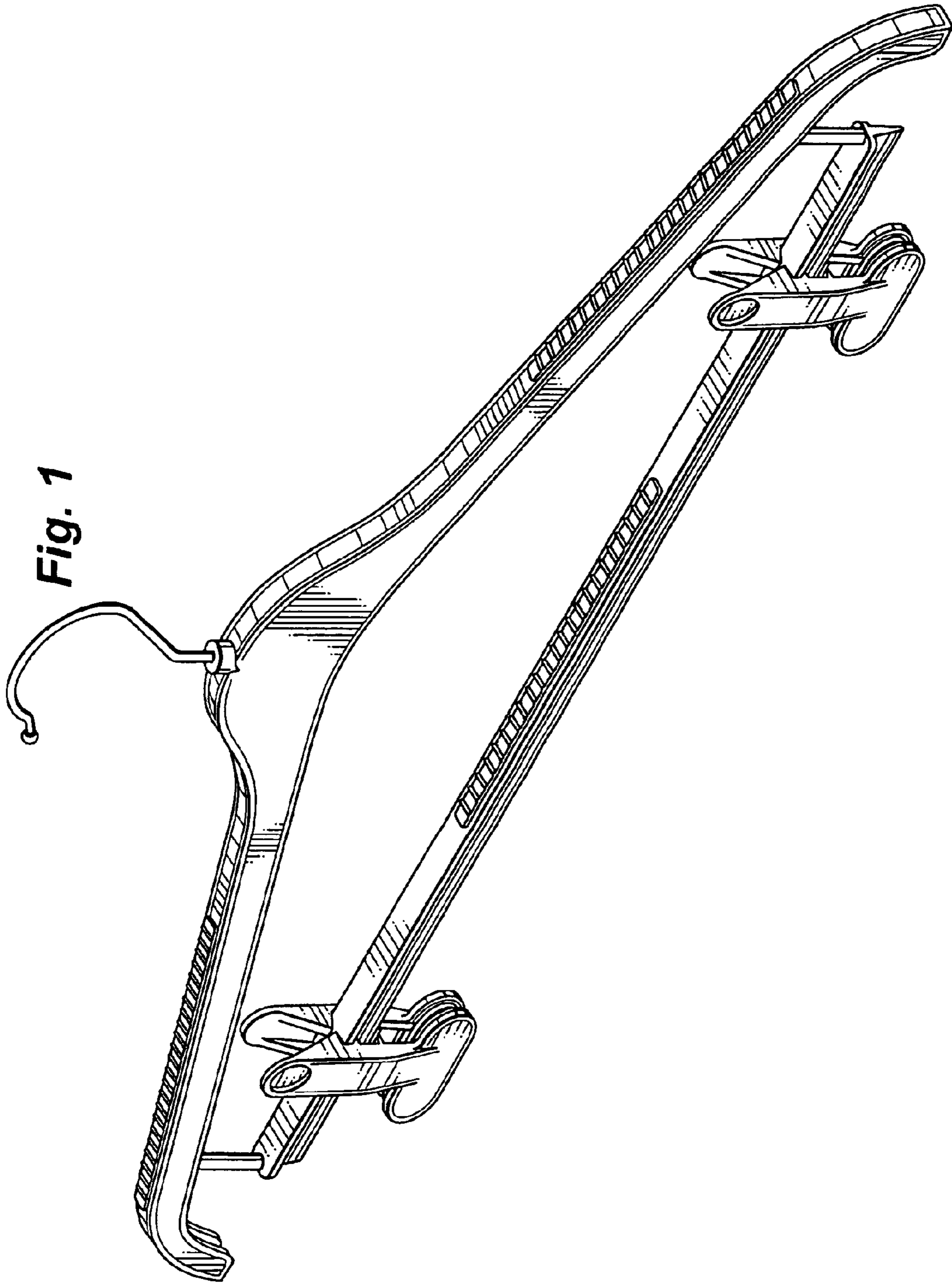


Fig. 2

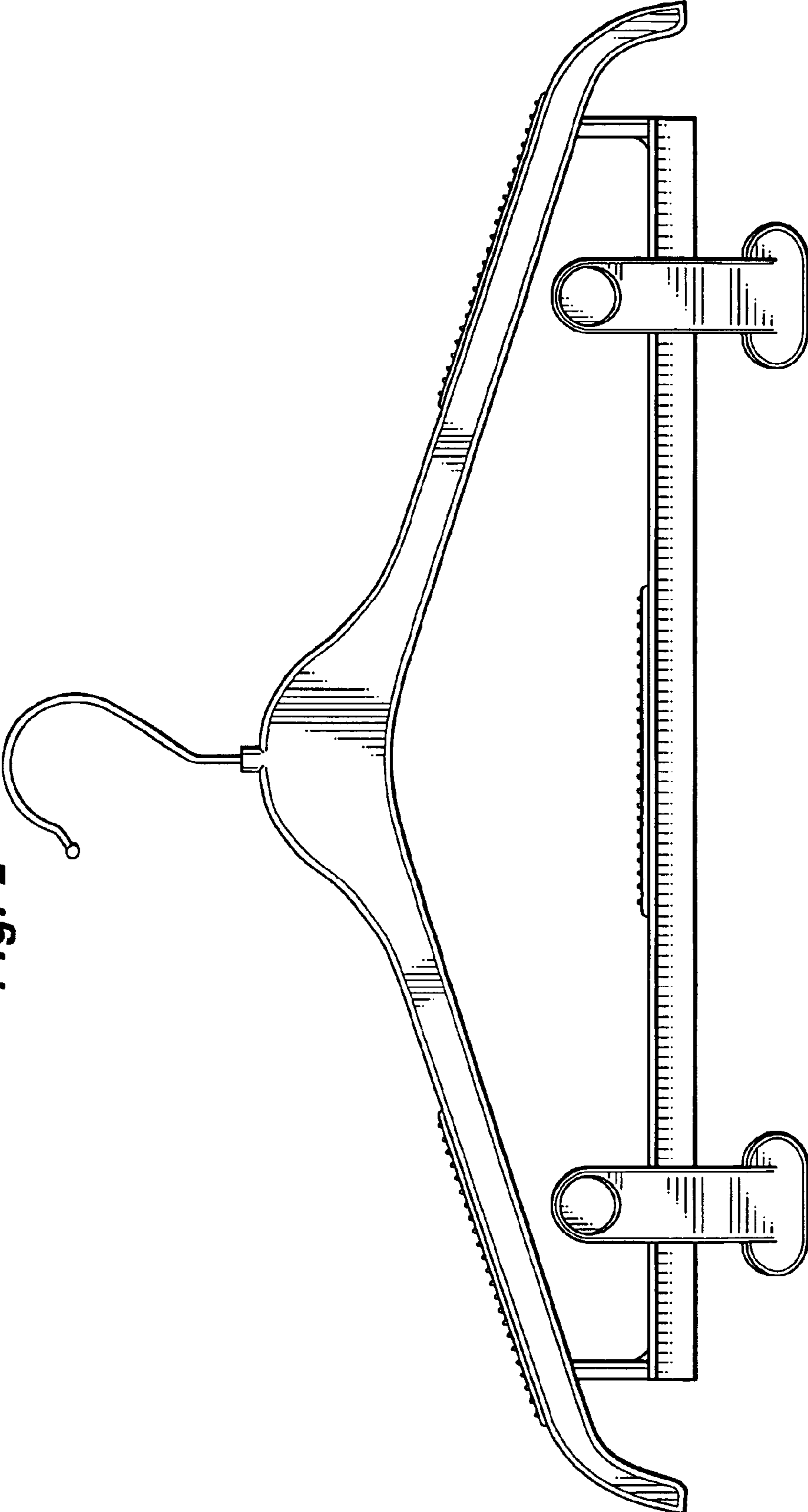


Fig. 3

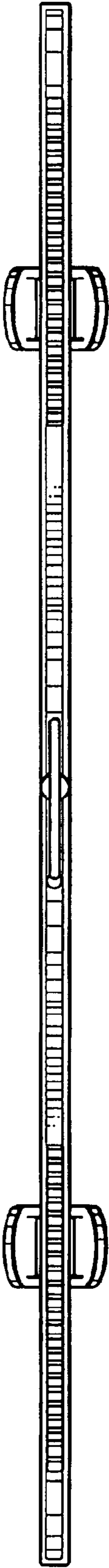


Fig. 4

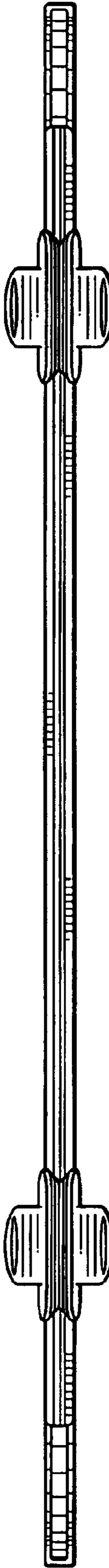


Fig. 5

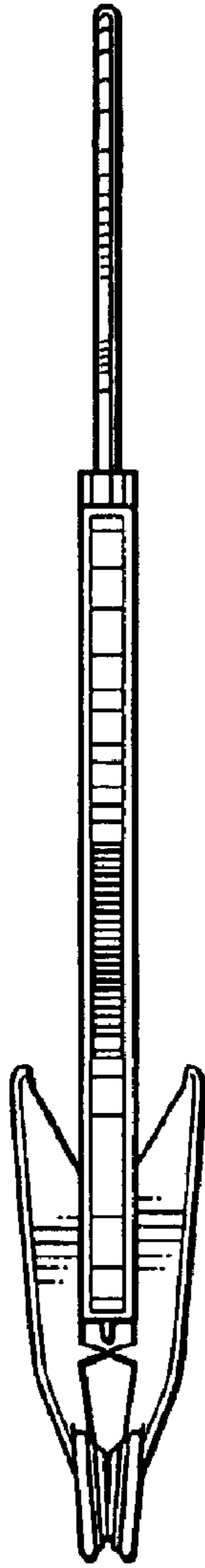


Fig. 6

