

US00D502011S

(12) **United States Design Patent**  
**Gouldson**

(10) **Patent No.:** **US D502,011 S**

(45) **Date of Patent:** **\*\* Feb. 22, 2005**

(54) **COORDINATE GRIPPER HANGER**

(75) Inventor: **Stanley F. Gouldson**, Northport, NY  
(US)

(73) Assignee: **Spotless Plastics Pty. Ltd.**, Moorabbin  
(AU)

(\*\*) Term: **14 Years**

(21) Appl. No.: **29/193,179**

(22) Filed: **Nov. 5, 2003**

(51) **LOC (7) Cl.** ..... **06-08**

(52) **U.S. Cl.** ..... **D6/326**

(58) **Field of Search** ..... D6/326, 315, 318,  
D6/319; 24/499-500, 517-518; 211/86.01,  
113; 223/85, 88, 89, 90-93, 95-96, DIG. 2

(56) **References Cited**

**U.S. PATENT DOCUMENTS**

4,638,930	A	*	1/1987	Blanchard	.....	223/85
D301,661	S	*	6/1989	Wilson	.....	D6/326
D415,357	S	*	10/1999	Blanchard	.....	D6/326
D417,557	S	*	12/1999	Blanchard	.....	D6/326
D424,817	S	*	5/2000	Morgan et al.	.....	D6/328
D440,409	S	*	4/2001	Blanchard	.....	D6/326
D464,814	S	*	10/2002	De Winter et al.	.....	D6/328
6,474,517	B1	*	11/2002	Sutton	.....	223/96
D472,062	S	*	3/2003	Yegavian et al.	.....	D6/326
2003/0209577	A1	*	11/2003	Gouldson et al.	.....	223/85

\* cited by examiner

*Primary Examiner*—Stella Reid

*Assistant Examiner*—Daniel Bui

(74) *Attorney, Agent, or Firm*—Scully, Scott Murphy & Presser

(57) **CLAIM**

The ornamental design for a coordinate gripper hanger, as shown and described.

**DESCRIPTION**

FIG. 1 is an isometric view of a first embodiment of a coordinate gripper hanger.

FIG. 2 is a front elevation view thereof;

FIG. 3 is a rear elevation view thereof;

FIG. 4 is a top plan view thereof;

FIG. 5 is a bottom plan view thereof;

FIG. 6 is a right side elevation view thereof;

FIG. 7 is a left side elevation view thereof;

FIG. 8 is a cross-sectional view thereof, taken along line 8—8 of FIG. 2, offered only to more clearly illustrate the ornamental features of the first embodiment;

FIG. 9 is an isometric view of a second embodiment of a coordinate gripper hanger;

FIG. 10 is a front elevation view thereof;

FIG. 11 is a rear elevation view thereof;

FIG. 12 is a top plan view thereof;

FIG. 13 is a bottom plan view thereof;

FIG. 14 is a right side elevation view thereof;

FIG. 15 is a left side elevation view thereof; and,

FIG. 16 is a cross-sectional view thereof, taken along line 16—16 of FIG. 10, offered only to more clearly illustrate the ornamental features of the second embodiment.

**1 Claim, 10 Drawing Sheets**

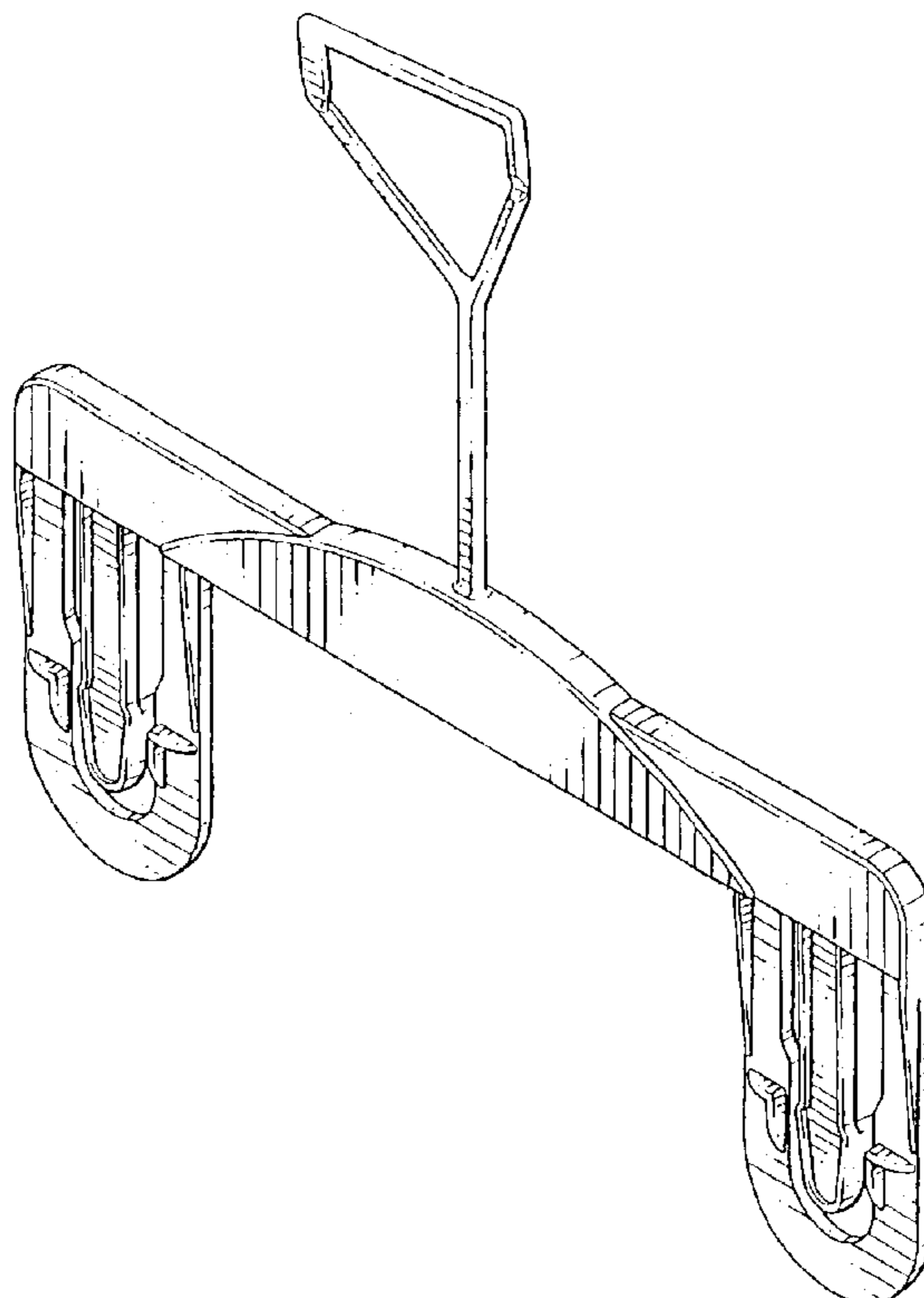
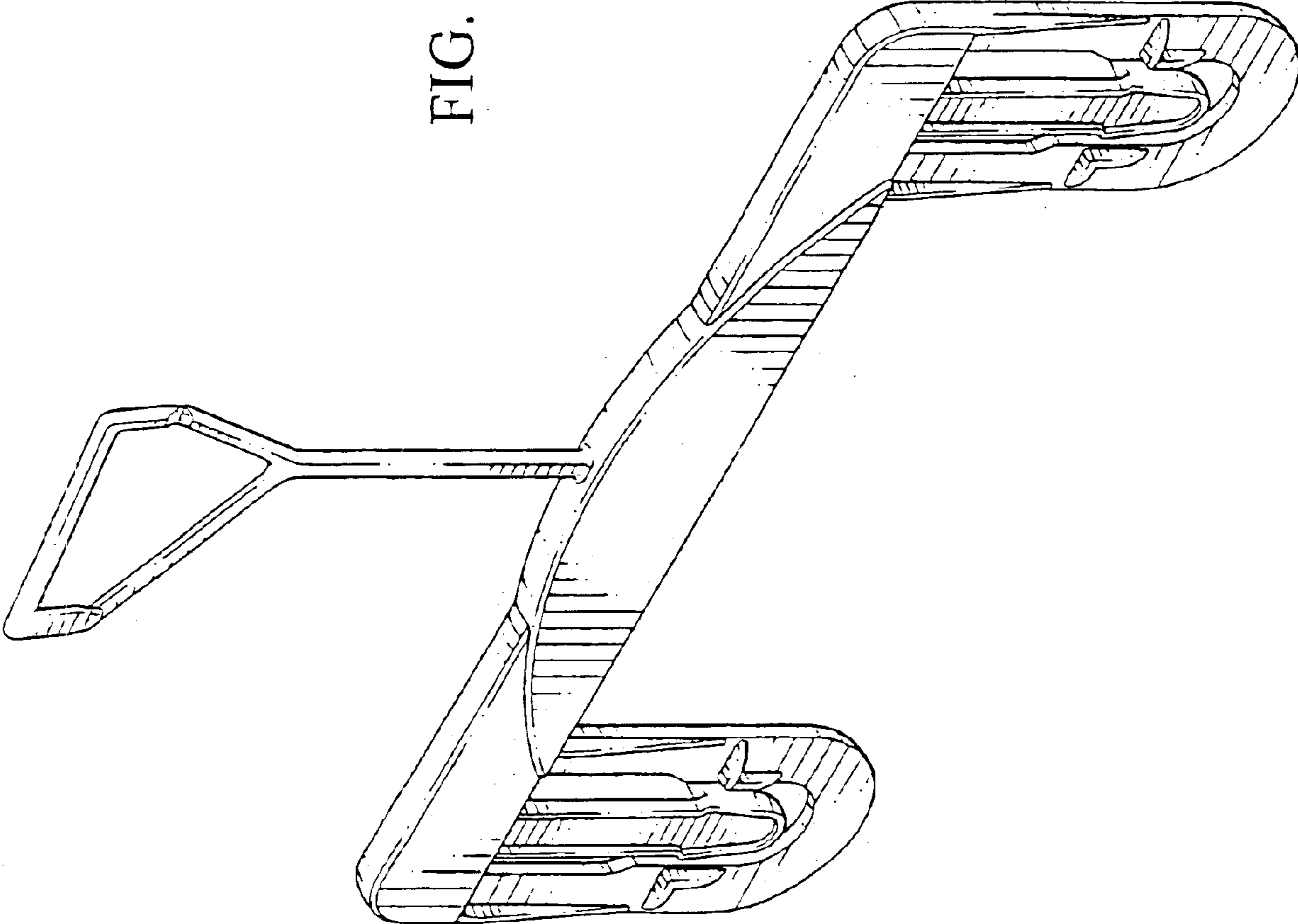


FIG. 1



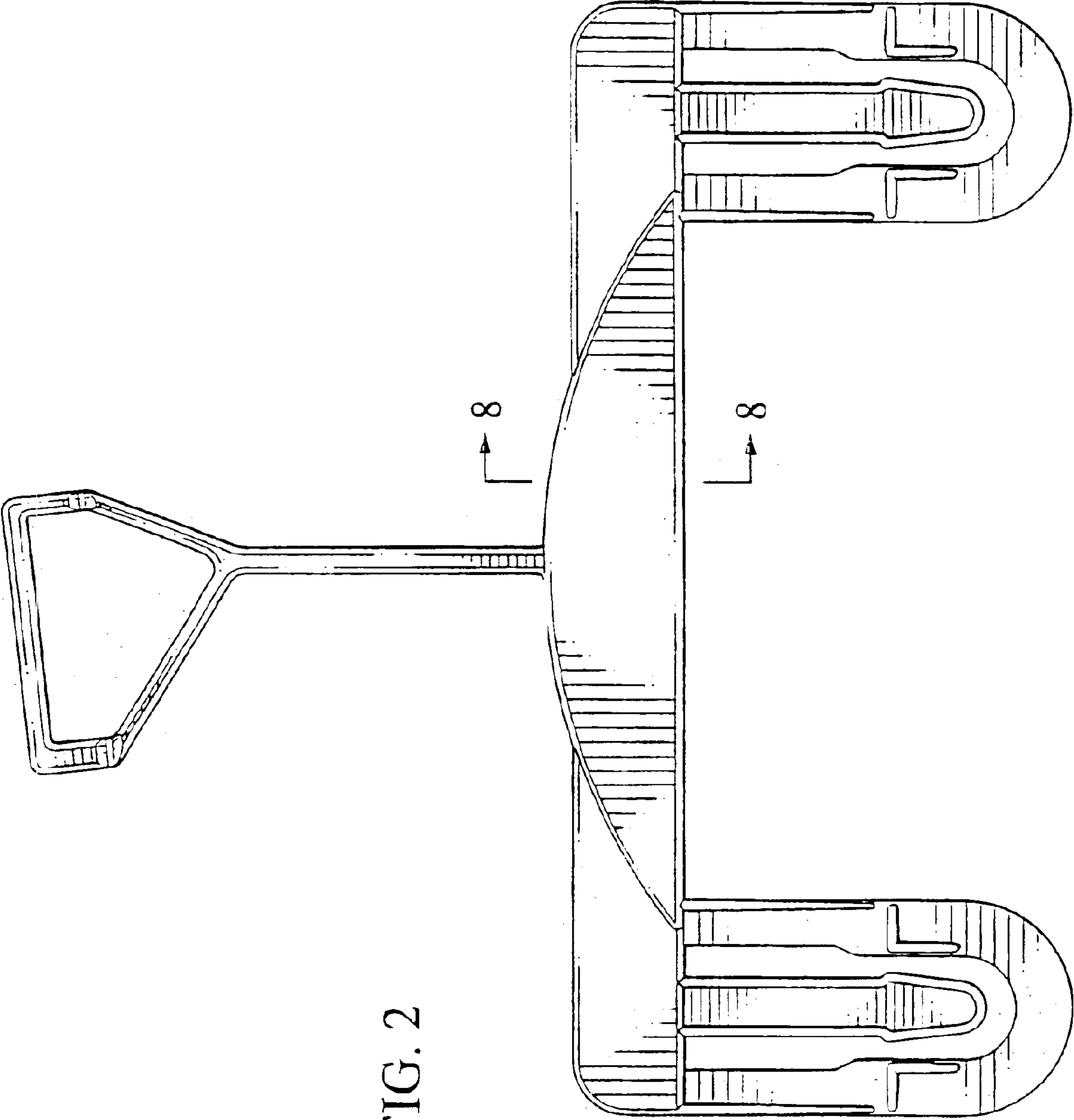


FIG. 2

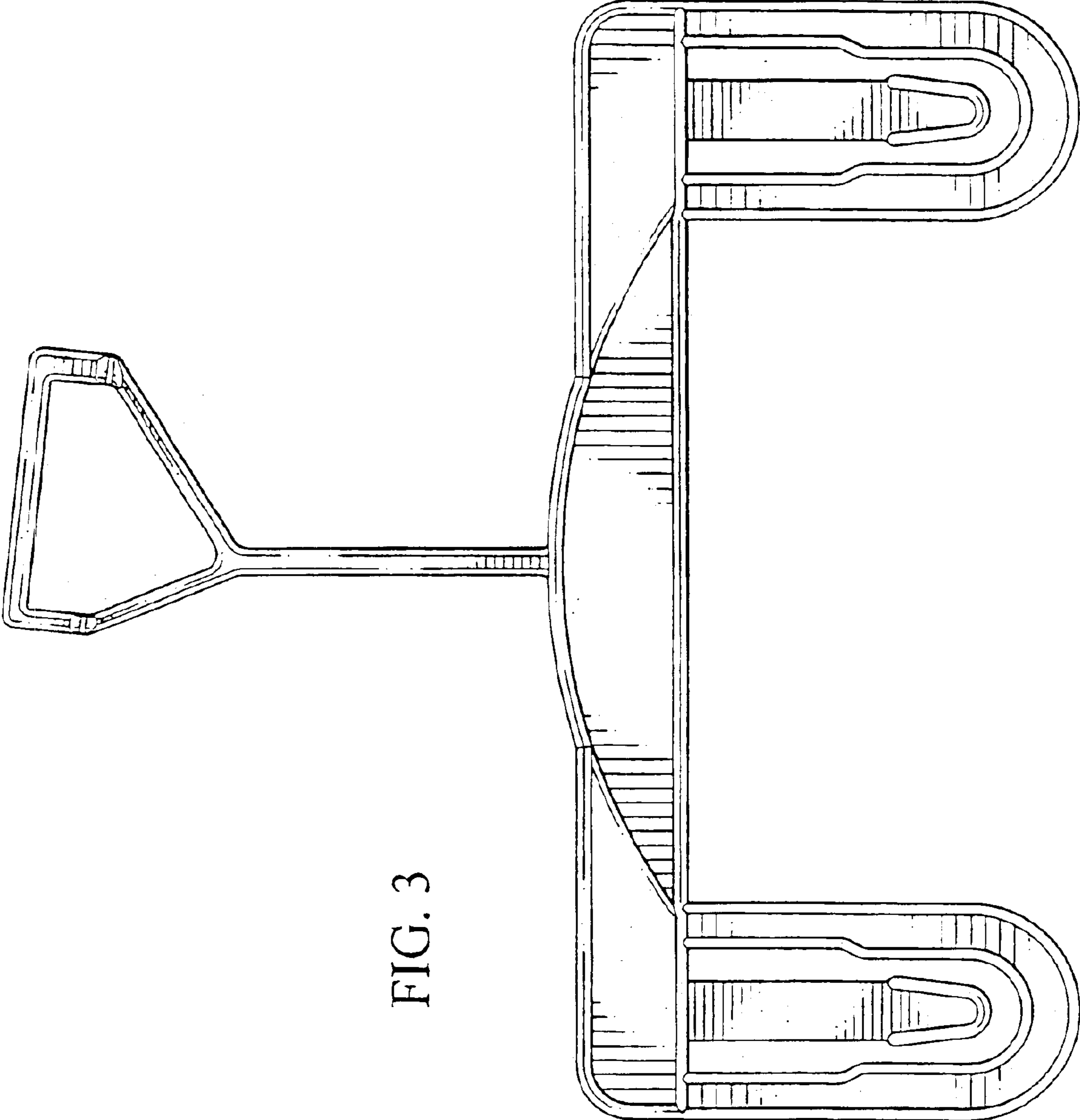


FIG. 3



FIG. 4



FIG. 5

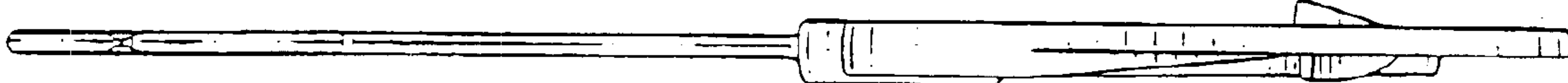


FIG. 6



FIG. 7

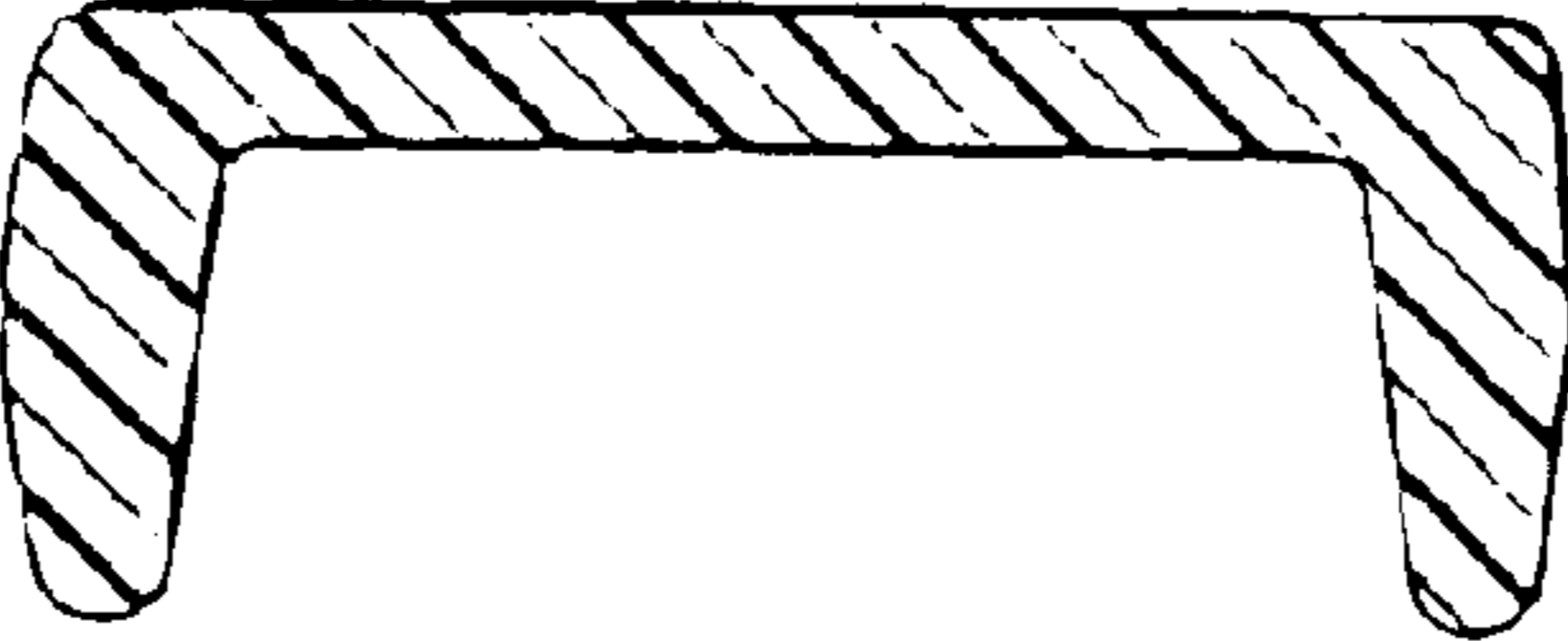
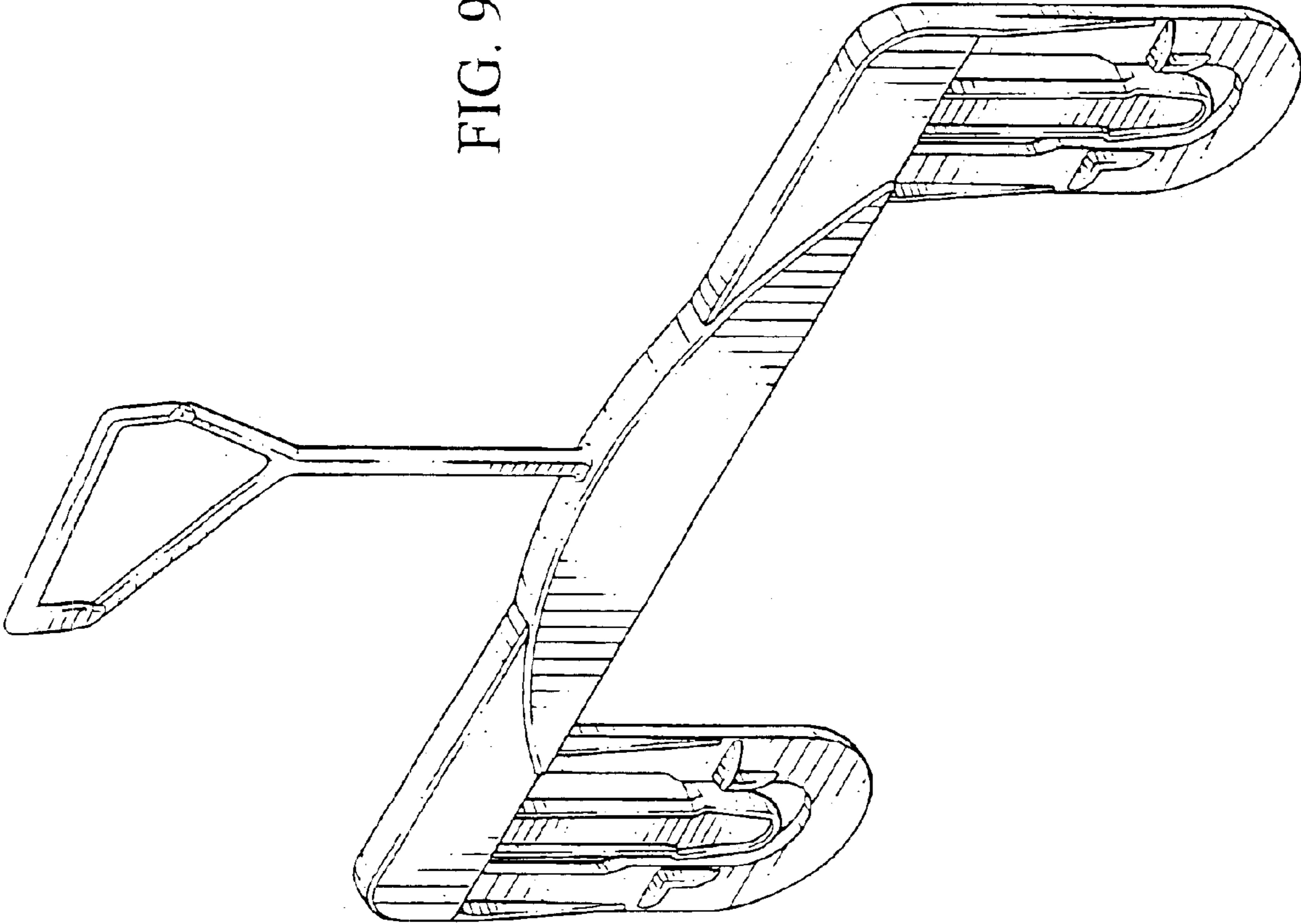


FIG. 8

FIG. 9



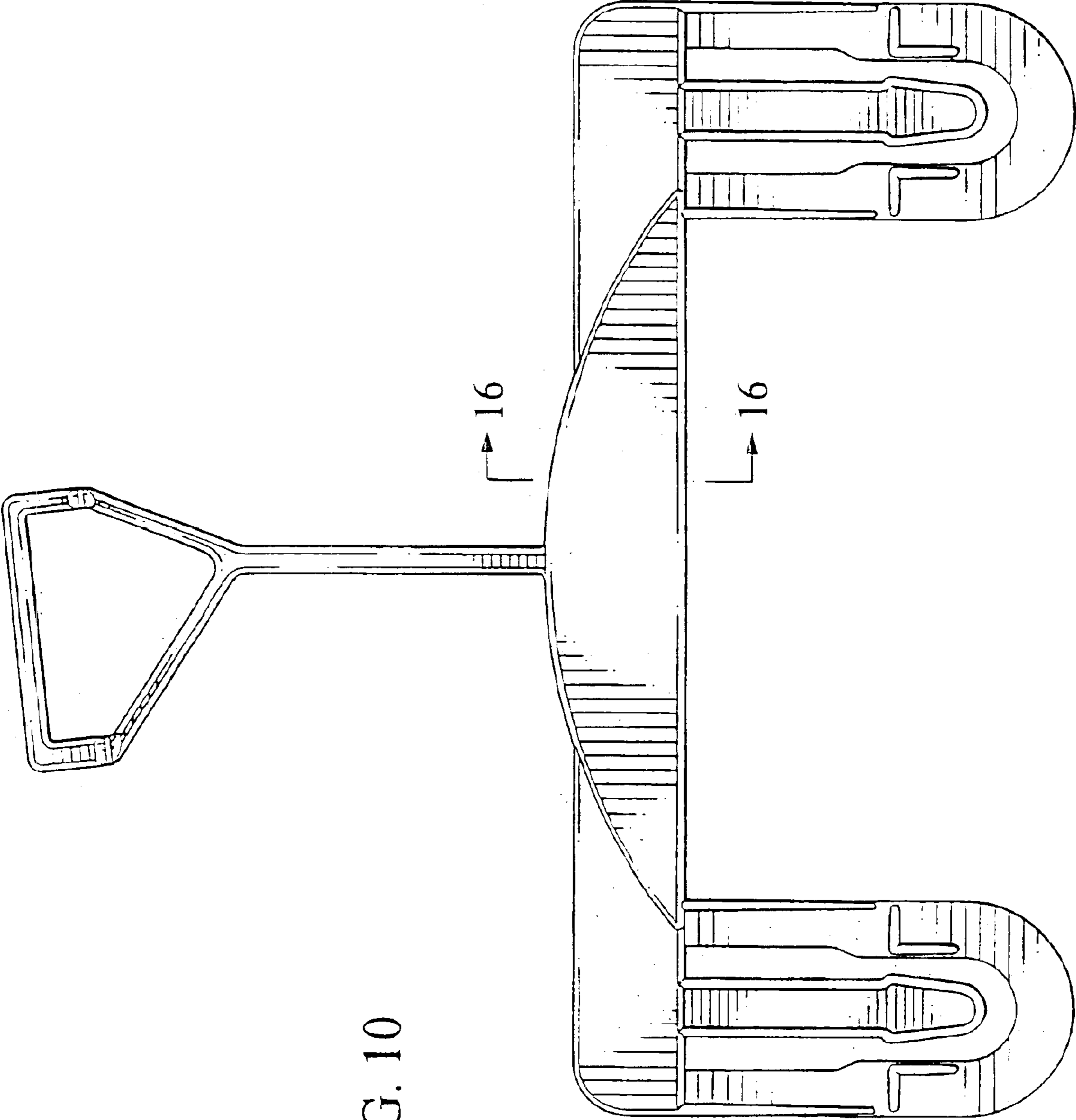


FIG. 10



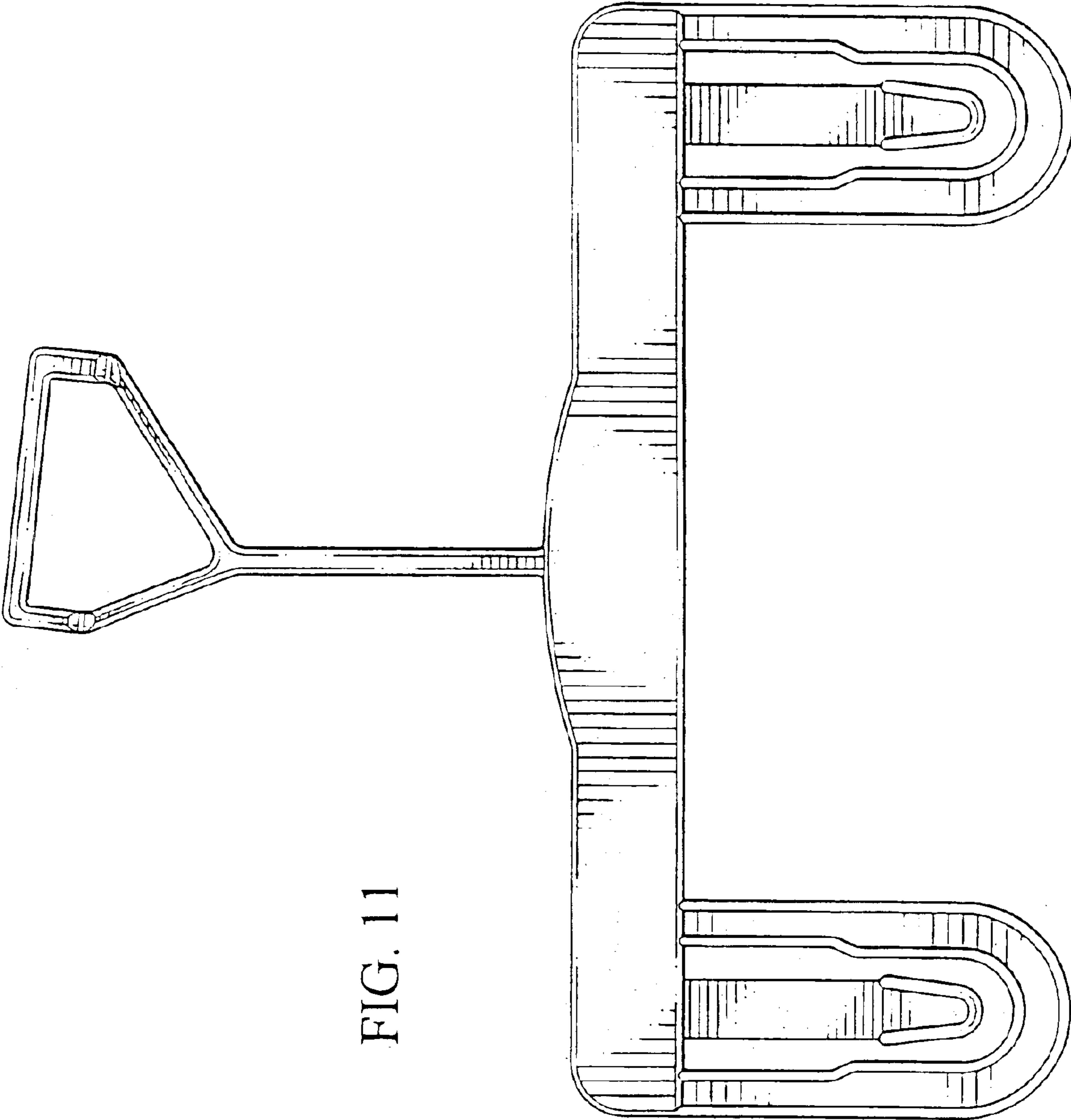


FIG. 11



FIG. 12

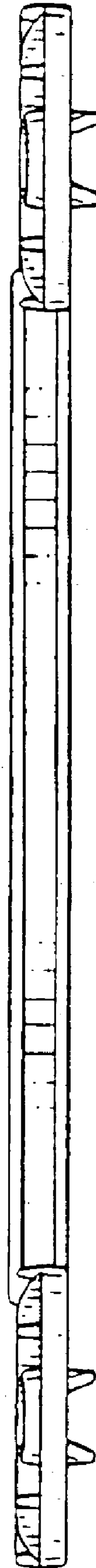


FIG. 13

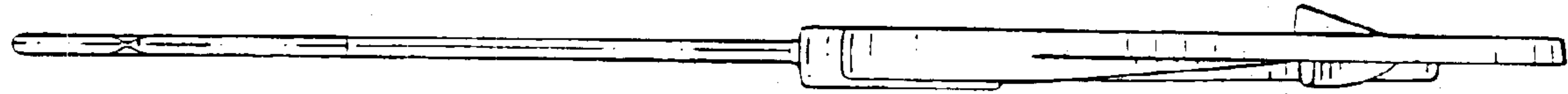


FIG. 14

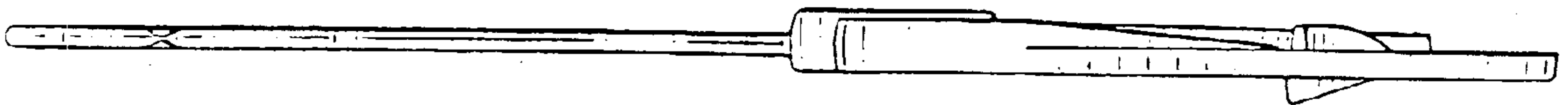


FIG. 15

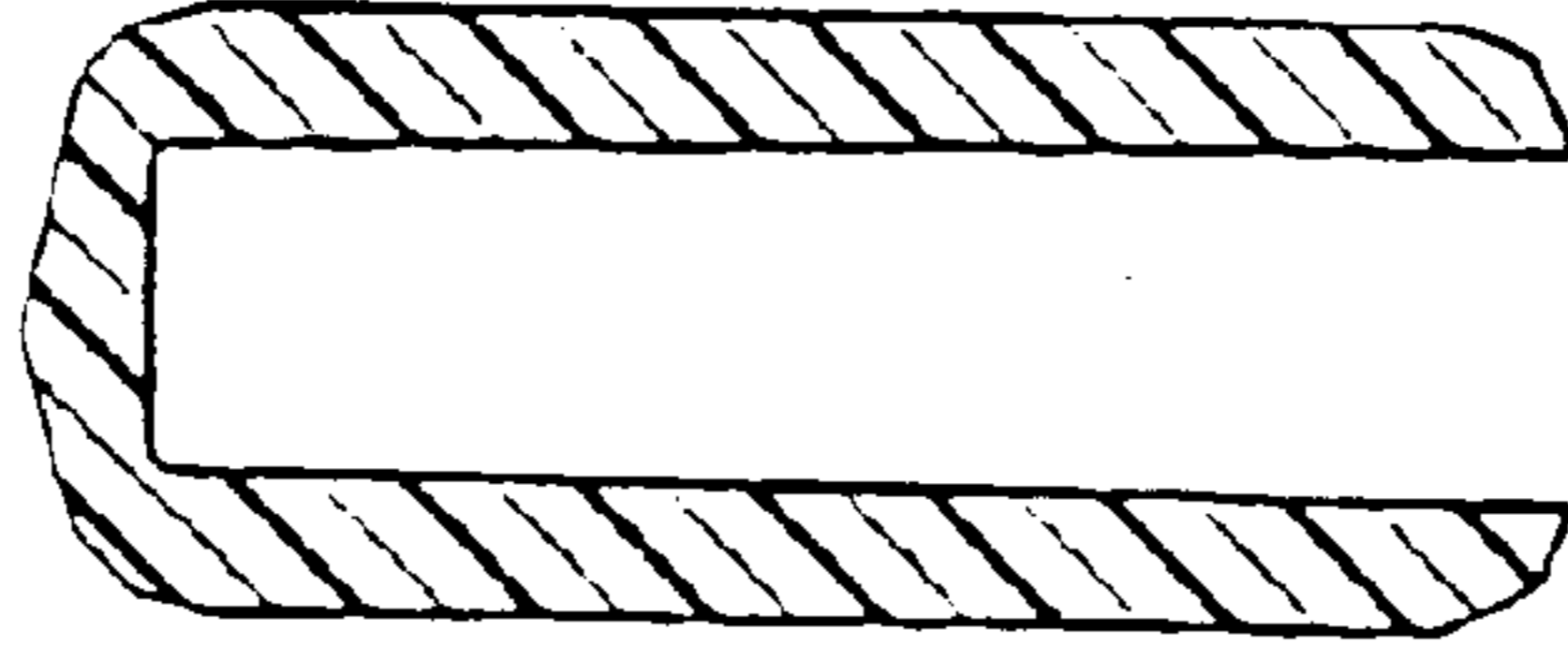


FIG. 16