



US00D502010S

(12) **United States Design Patent**
Starr et al.

(10) **Patent No.:** **US D502,010 S**

(45) **Date of Patent:** **** Feb. 22, 2005**

(54) **CAP HOLDER**

(76) Inventors: **Robert Starr**, 2330 Lynnridge Pl.,
Lincoln, NE (US) 68521; **Gail Starr**,
2330 Lynnridge Pl., Lincoln, NE (US)
68521

(**) Term: **14 Years**

(21) Appl. No.: **29/201,324**

(22) Filed: **Mar. 15, 2004**

(51) **LOC (7) Cl.** **06-08**

(52) **U.S. Cl.** **D6/323**

(58) **Field of Search** D6/323, 327, 320,
D6/552-3, 567, 573, 475-6, 515, 518;
D8/367; D19/86, 90-1; 211/30, 32, 80.01,
80.03, 87.01; 248/300-4, 309.1, 318, 322,
339

(56) **References Cited**

U.S. PATENT DOCUMENTS

D250,982 S	*	2/1979	Gilman	D6/475
D332,889 S	*	2/1993	Hines	D6/518
5,683,002 A	*	11/1997	Rayside	211/30
D387,229 S	*	12/1997	Cameron et al.	D6/518

D388,578 S	*	12/1997	Arbak et al.	D34/6
5,785,188 A	*	7/1998	Ogden	211/88.01
D401,708 S	*	11/1998	Arbak et al.	D34/1
D449,976 S	*	11/2001	Klaesi	D8/367
D486,185 S	*	2/2004	Sheldon et al.	D19/90
D492,966 S	*	7/2004	Serrault et al.	D19/92

* cited by examiner

Primary Examiner—Stella Reid

Assistant Examiner—Shanda C. Hill

(74) *Attorney, Agent, or Firm*—Shook, Hardy & Bacon
L.L.P.

(57) **CLAIM**

The ornamental design for a cap holder, as shown and described.

DESCRIPTION

FIG. 1 is a perspective view of a cap holder embodying the invention;

FIG. 2 is a bottom plan view thereof;

FIG. 3 is a front elevational view thereof;

FIG. 4 is a rear elevational view thereof;

FIG. 5 is a side elevational view thereof; and,

FIG. 6 is a top plan view thereof.

1 Claim, 2 Drawing Sheets

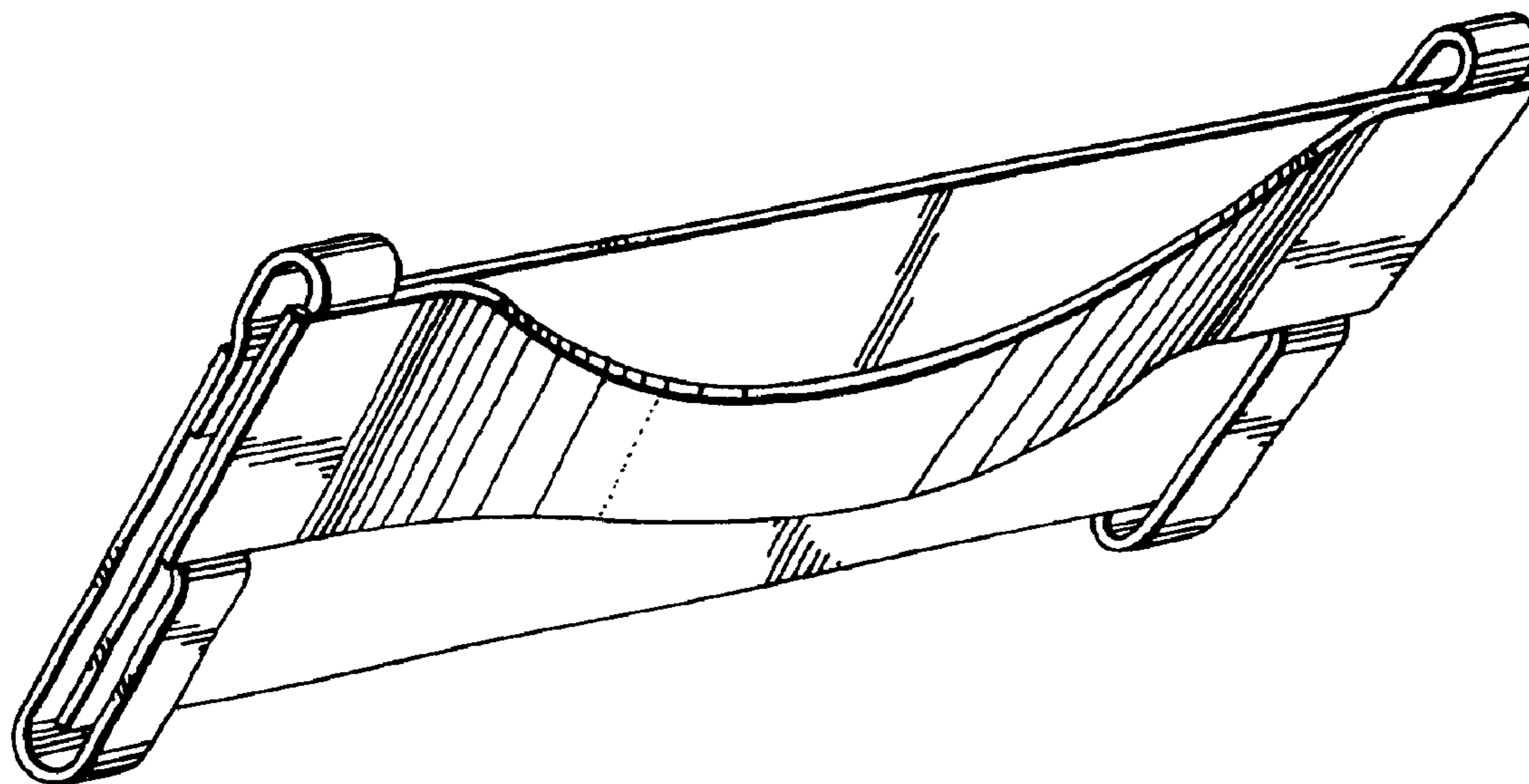


FIG. 1.

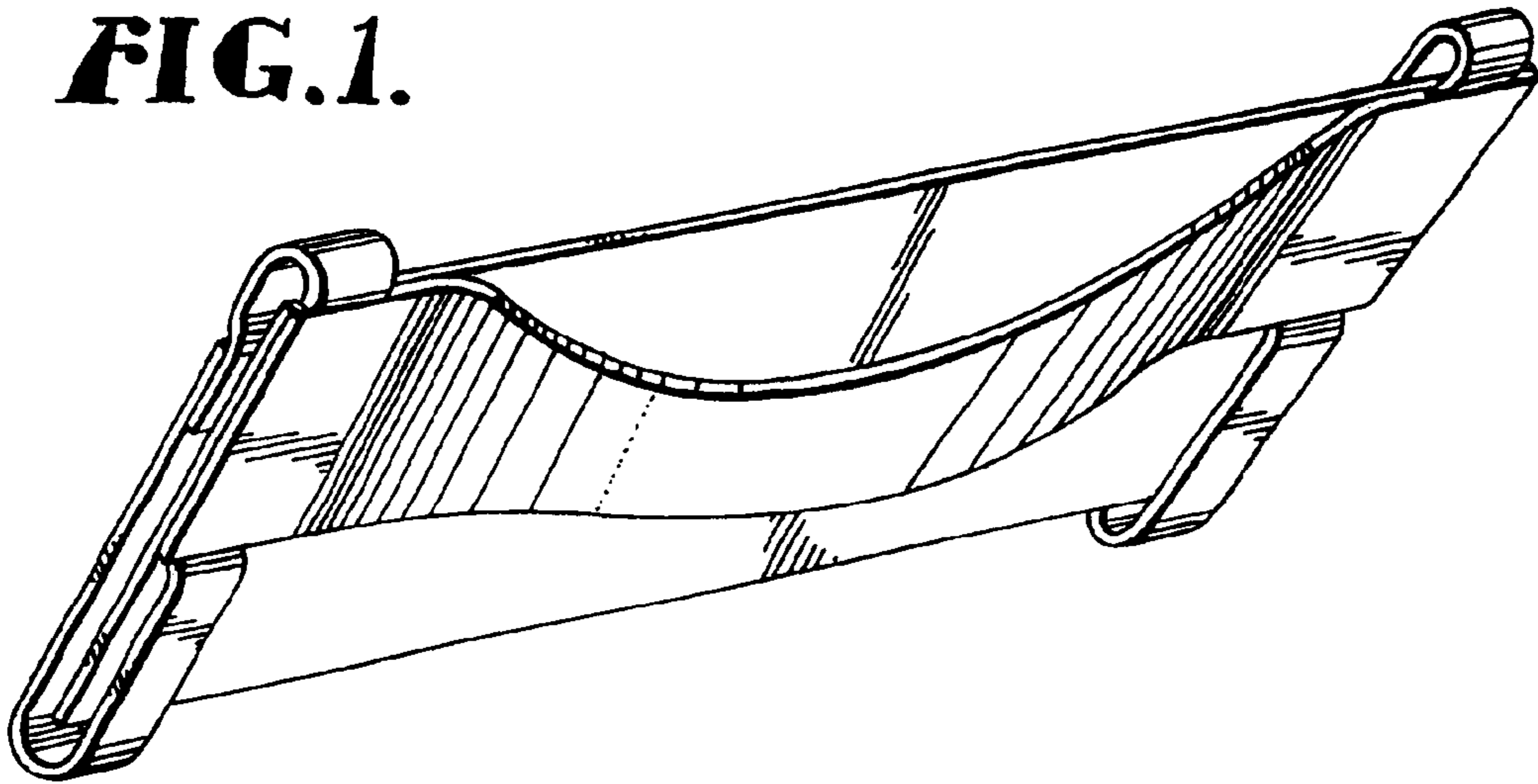


FIG. 2.

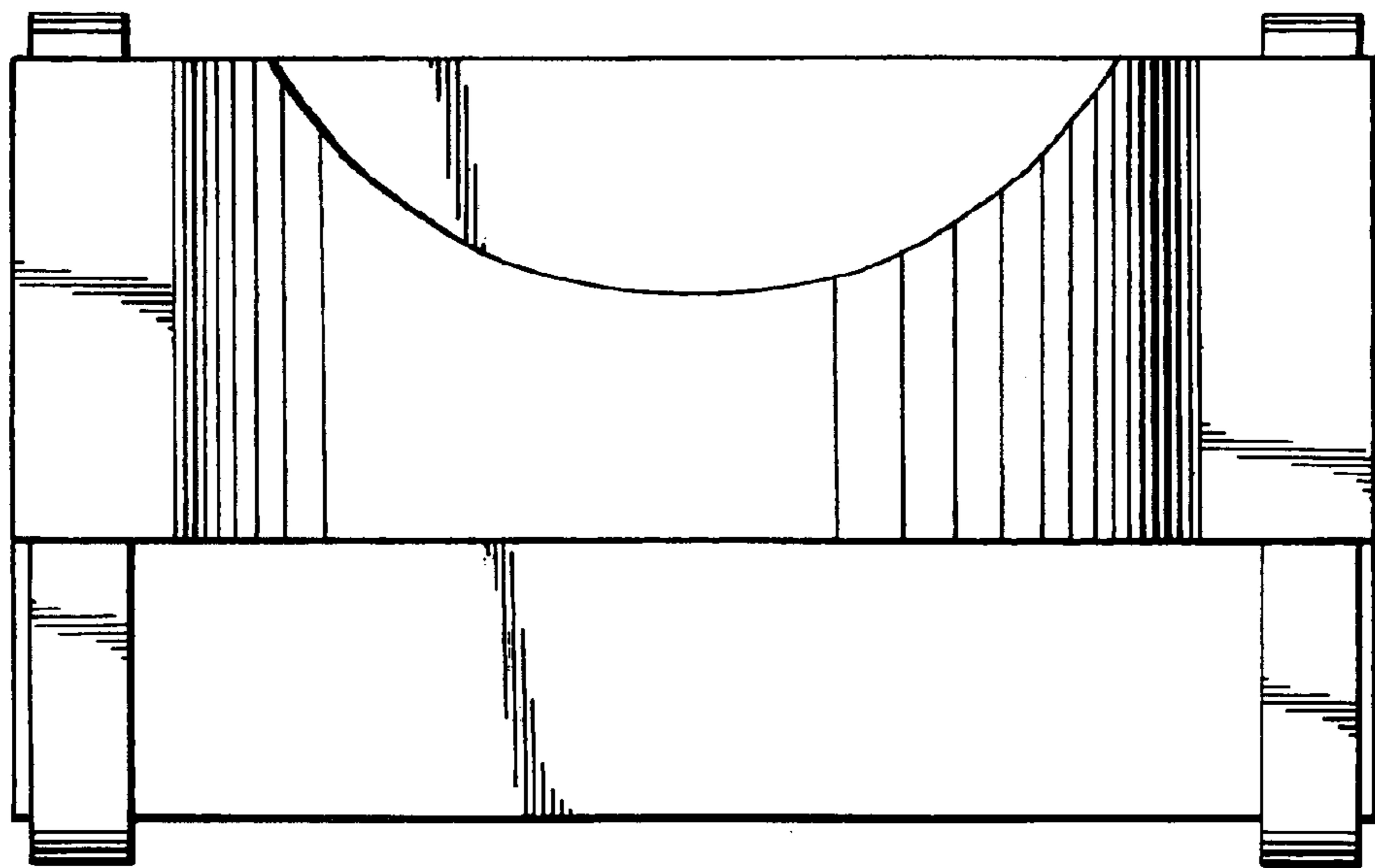


FIG. 3.

FIG. 4.

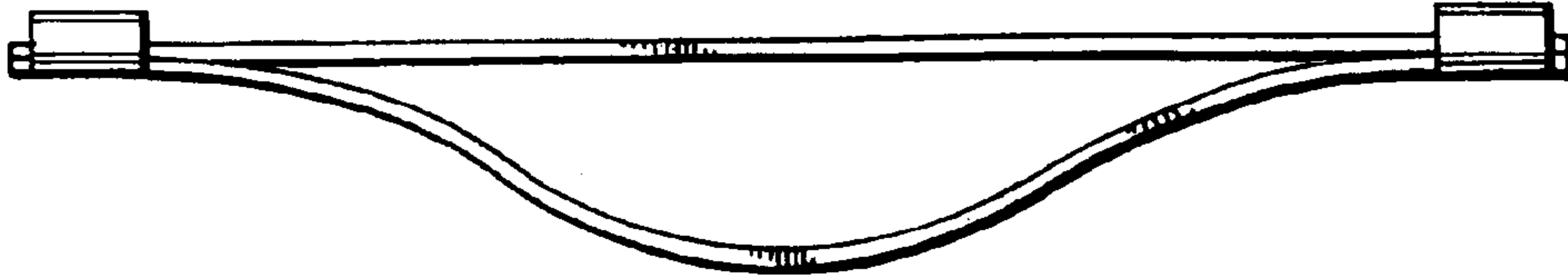


FIG. 5.

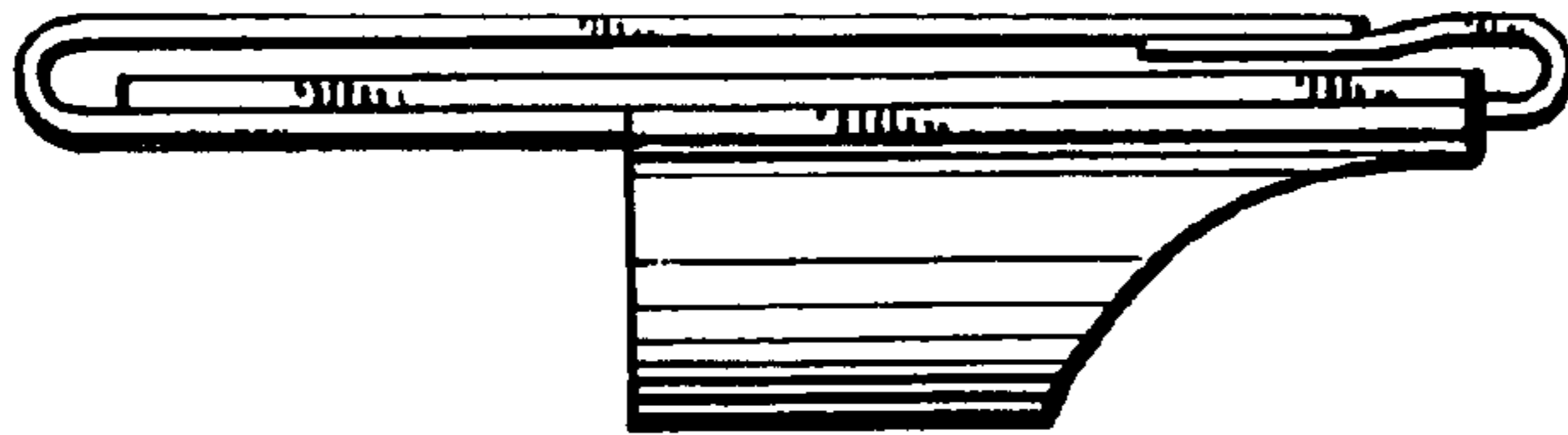


FIG. 6.

