

US00D502005S

(12) **United States Design Patent**
Henry

(10) **Patent No.:** **US D502,005 S**
(45) **Date of Patent:** **** Feb. 22, 2005**

(54) **MEDICAL RENEWAL CERTIFICATE DISPLAY**

D437,121 S 2/2001 Henry et al.

* cited by examiner

(76) Inventor: **Jeffrey J. Henry**, 337 Oakwood Dr.,
Geneva, IL (US) 60134

Primary Examiner—Janice E. Seeger
(74) *Attorney, Agent, or Firm*—Meroni & Meroni, P.C.;
Charles F. Meroni, Jr.

(**) Term: **14 Years**

(57) **CLAIM**

(21) Appl. No.: **29/196,505**

I claim the ornamental design for: medical renewal certificate display, as shown.

(22) Filed: **Dec. 29, 2003**

DESCRIPTION

(51) **LOC (7) Cl.** **06-07**

FIG. 1 is a perspective view of my medical renewal certificate display.

(52) **U.S. Cl.** **D6/301**

FIG. 2 is a top plan view of my medical renewal certificate display.

(58) **Field of Search** D6/300–303, 308–314;
40/700, 711, 714–716, 717, 720, 722, 725,
735, 765, 766, 728, 780, 790, 798, 800

FIG. 3 is a bottom end view of my medical renewal certificate display.

(56) **References Cited**

FIG. 4 is a rear view of my medical renewal certificate display.

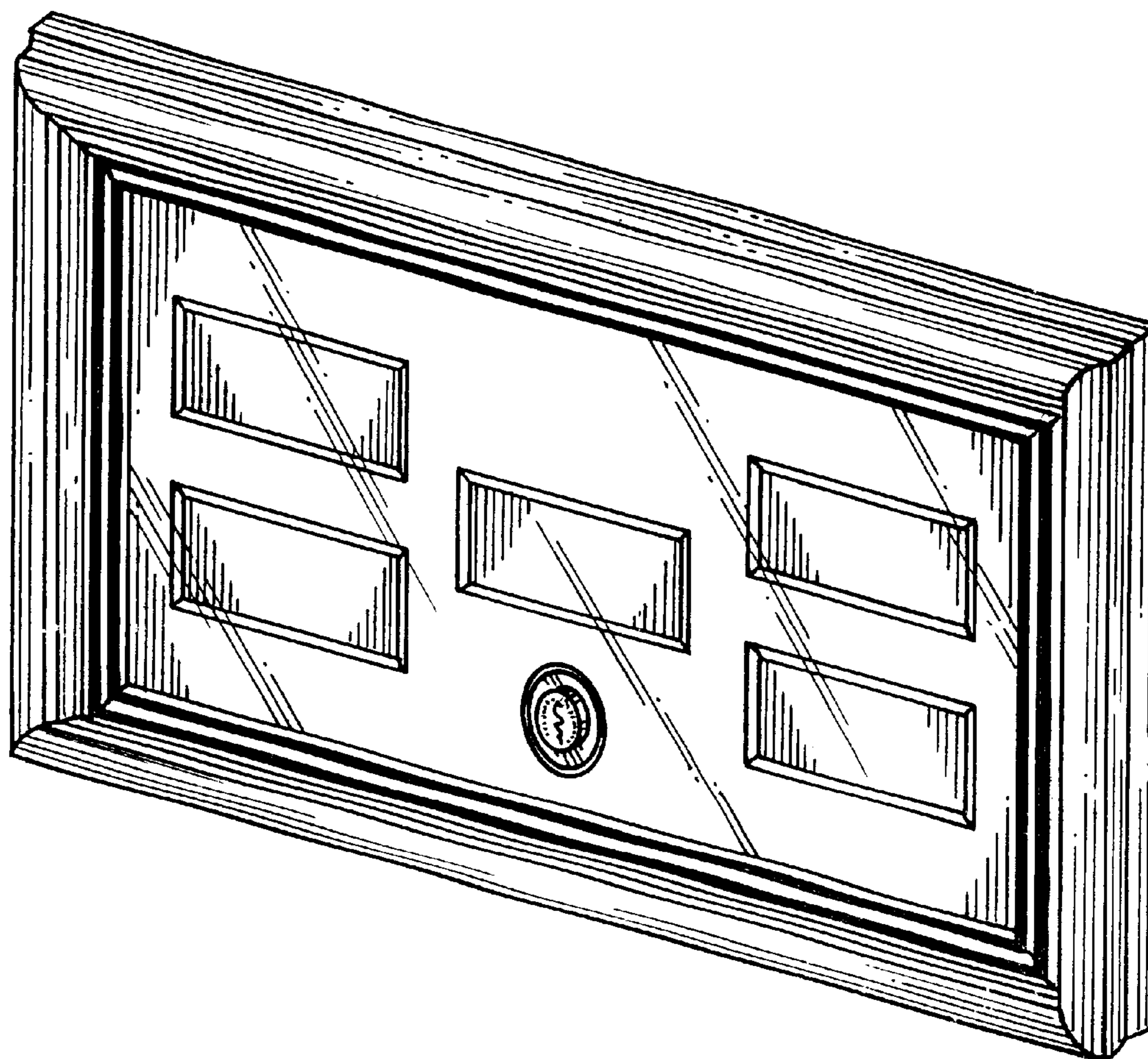
U.S. PATENT DOCUMENTS

FIG. 5 is a left side view of my medical renewal certificate display; and,

3,813,799	A	*	6/1974	Caravello	40/735
D265,485	S	*	7/1982	Liptak	D6/300
D285,504	S	*	9/1986	Messer	D6/300
D312,923	S	*	12/1990	Bleazard	D6/300
6,119,386	A		9/2000	Henry et al.		
D431,909	S		10/2000	Henry et al.		

FIG. 6 is a right side view of my medical renewal certificate display.

1 Claim, 3 Drawing Sheets



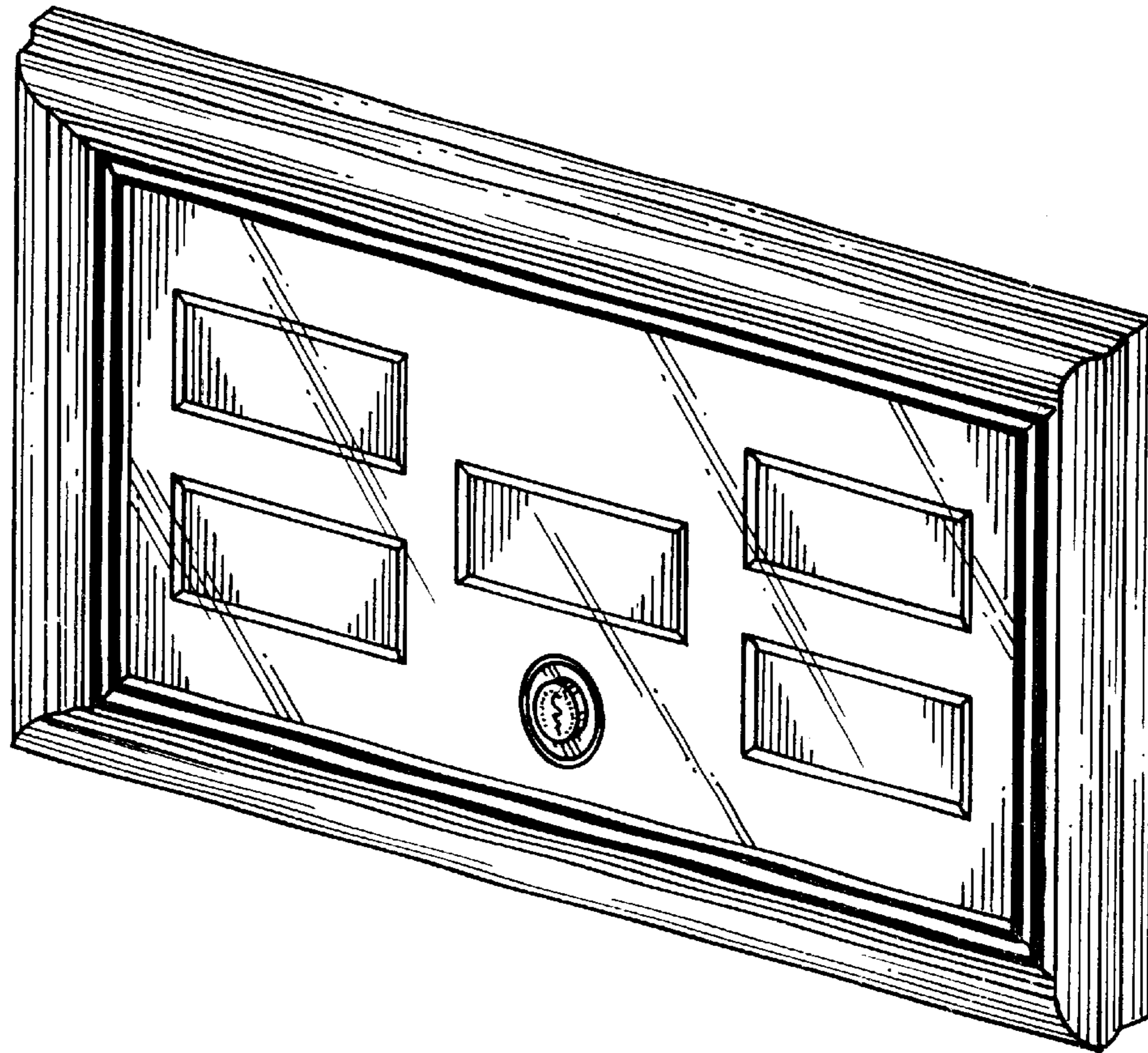


Fig. 1

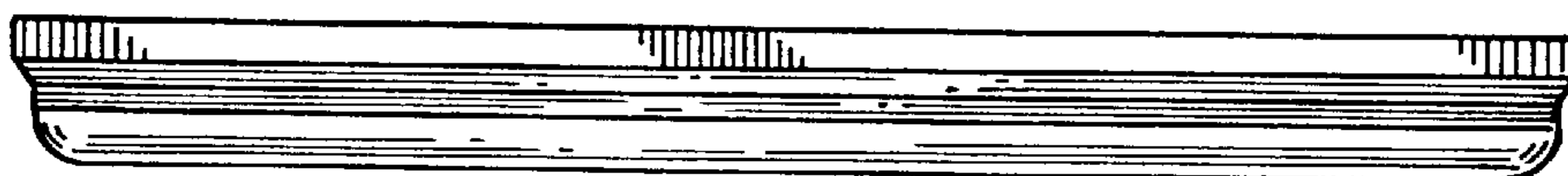


Fig. 2



Fig. 3

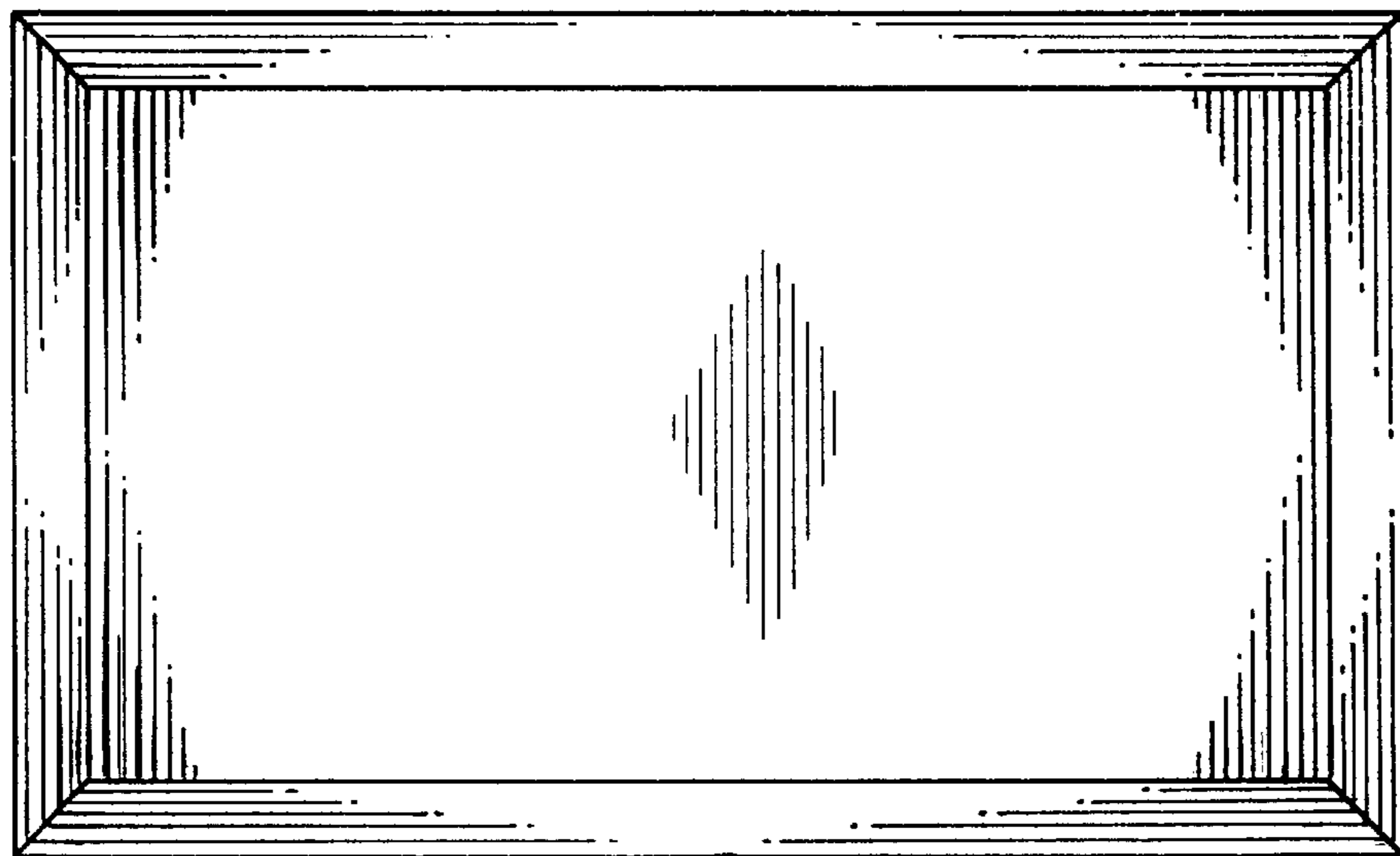


Fig. 4

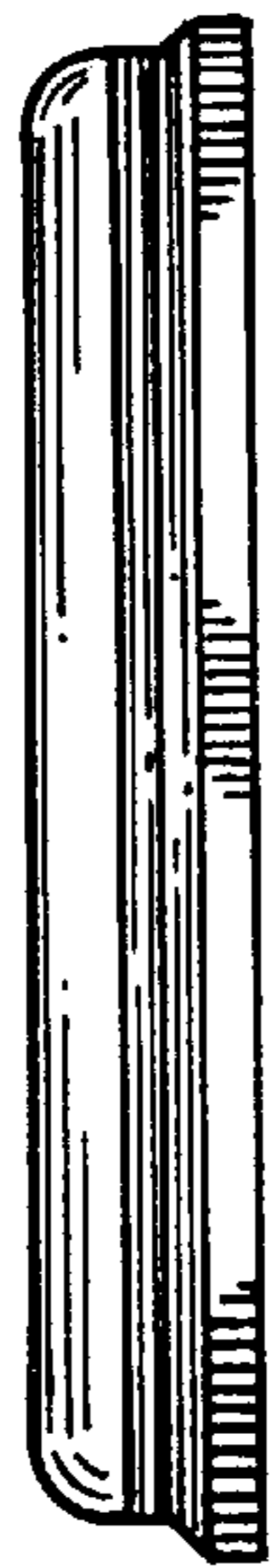


Fig. 5



Fig. 6