

US00D502001S

(12) **United States Design Patent**
Hay

(10) **Patent No.:** **US D502,001 S**

(45) **Date of Patent:** **** Feb. 22, 2005**

(54) **CLEANING IMPLEMENT**

(75) **Inventor:** **Christopher James Mccaughan Hay,**
Hong Kong (CN)

(73) **Assignee:** **Hayco Manufacturing Limited,**
Causeway Bay (HK)

(**) **Term:** **14 Years**

(21) **Appl. No.:** **29/207,415**

(22) **Filed:** **Jun. 15, 2004**

(51) **LOC (7) Cl.** **04-01**

(52) **U.S. Cl.** **D4/118; D4/138; D32/41;**
D32/49

(58) **Field of Search** D4/118, 132, 134,
D4/138; D32/41, 42, 49, 51; 15/105, 111,
117, 121, 143.1, 159.1, 160, 236.01, 236.02,
245; 16/110.1, 430, 431

(56) **References Cited**

U.S. PATENT DOCUMENTS

D100,225 S	*	6/1936	Porter	D4/132
2,658,218 A	*	11/1953	Carreiro	15/121 X
3,656,202 A	*	4/1972	Paton	15/121
5,373,600 A	*	12/1994	Stojanovski et al.	15/111
D361,894 S	*	9/1995	Hoagland	D4/138
6,061,862 A	*	5/2000	Whitaker	15/111
D428,705 S	*	8/2000	Larson	D4/132

* cited by examiner

Primary Examiner—Alan P. Douglas
Assistant Examiner—Lavone D. Tabor

(74) *Attorney, Agent, or Firm*—Burns, Doane, Swecker & Mathis, L.L.P.

(57) **CLAIM**

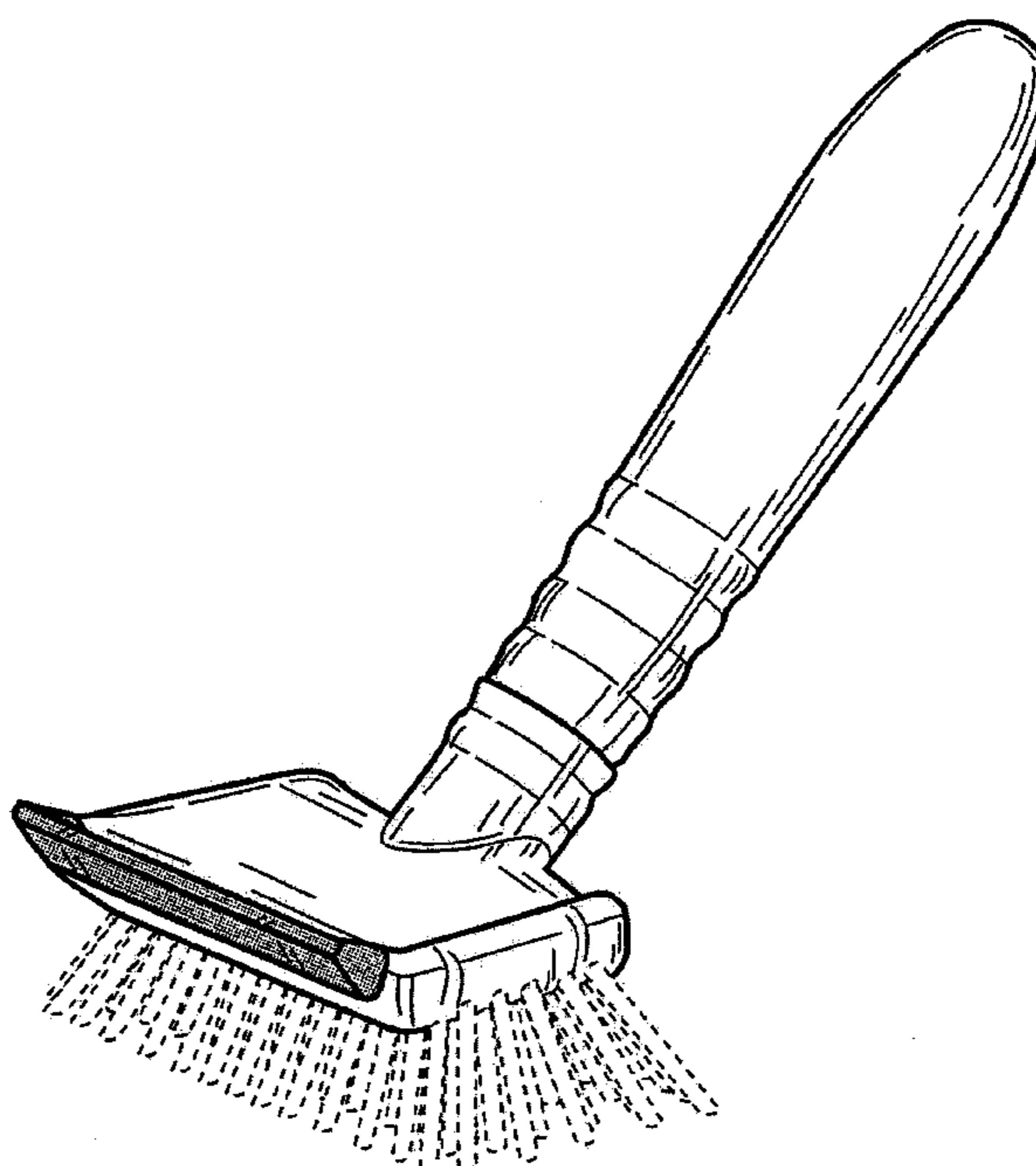
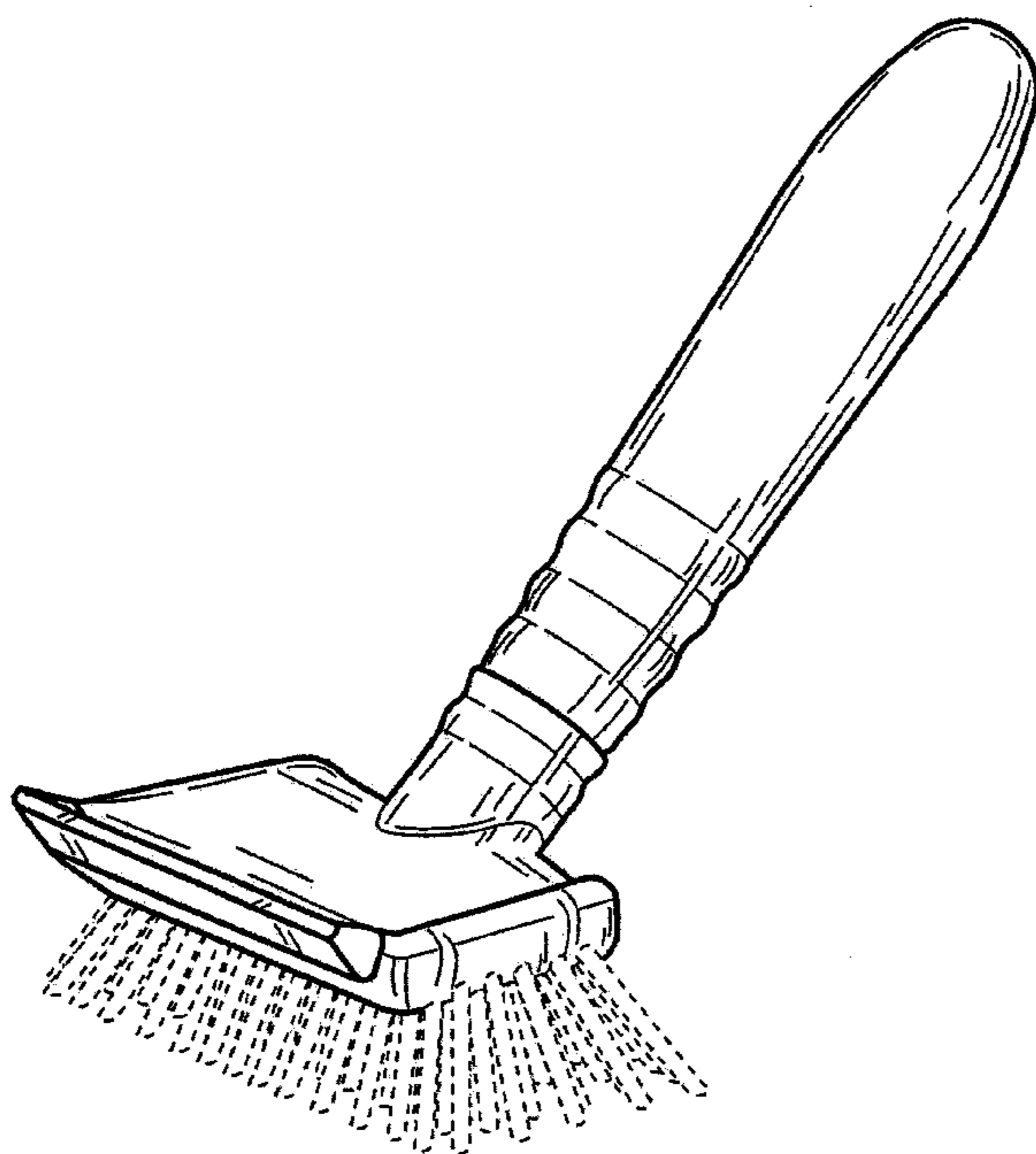
The ornamental design for “cleaning implement,” as shown and described.

DESCRIPTION

FIG. 1 is a perspective view showing a first embodiment of a “cleaning implement” incorporating the design;
 FIG. 2 is a top view thereof;
 FIG. 3 is a bottom view thereof;
 FIG. 4 is a side view thereof;
 FIG. 5 is another side view thereof;
 FIG. 6 is a front view thereof;
 FIG. 7 is a rear view thereof;
 FIG. 8 is a perspective view showing a second embodiment of a “cleaning implement” incorporating the design;
 FIG. 9 is a top view of the cleaning implement shown in FIG. 8;
 FIG. 10 is a bottom view of the cleaning implement shown in FIG. 8;
 FIG. 11 is a side view of the cleaning implement shown in FIG. 8;
 FIG. 12 is another side view of the cleaning implement shown in FIG. 8;
 FIG. 13 is a front view of the cleaning implement shown in FIG. 8; and,
 FIG. 14 is a rear view of the cleaning implement shown in FIG. 8.

The broken lines showing bristles are for illustrative purposes only and form no part of the claimed design.

1 Claim, 14 Drawing Sheets



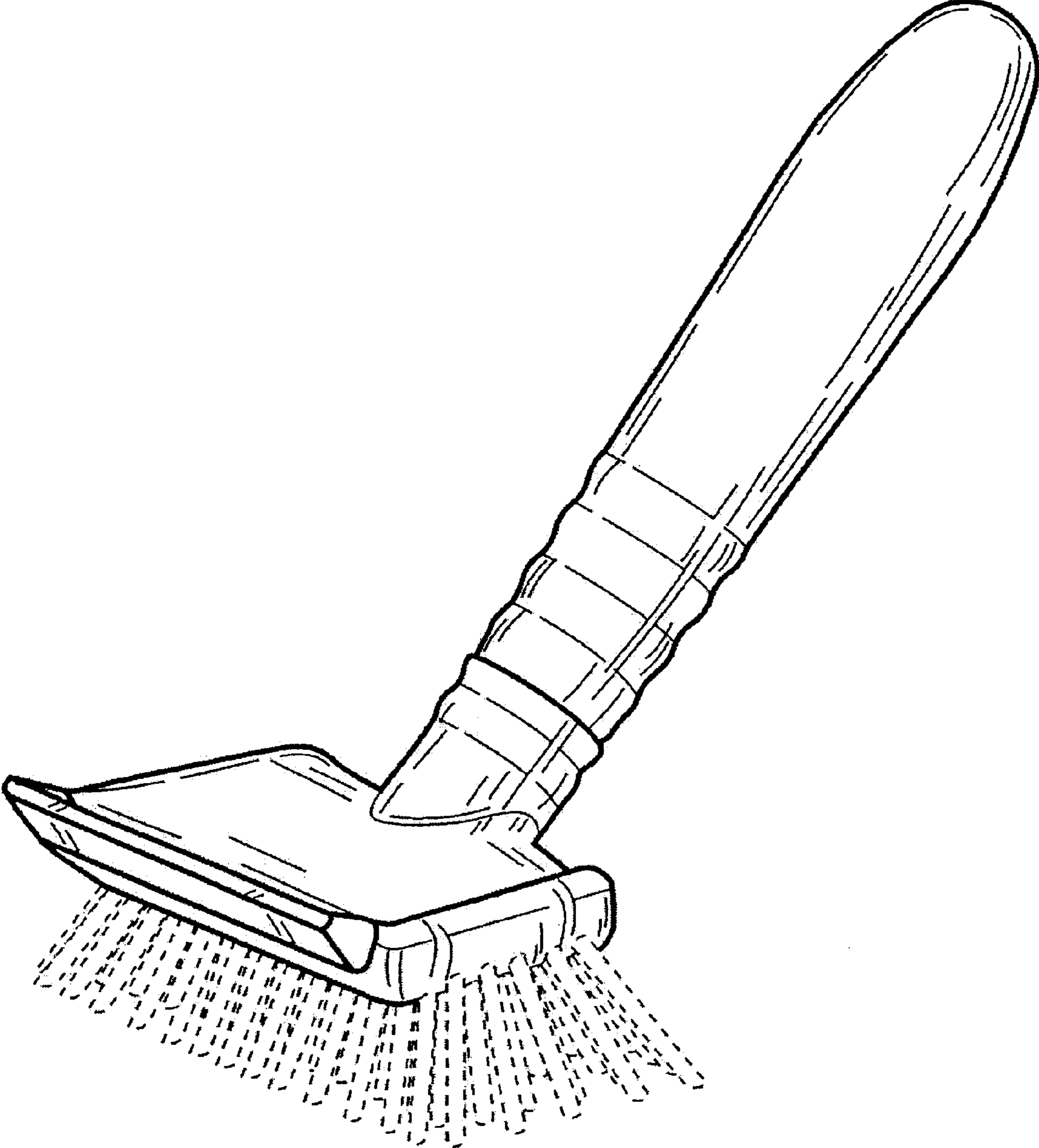


FIG. 1

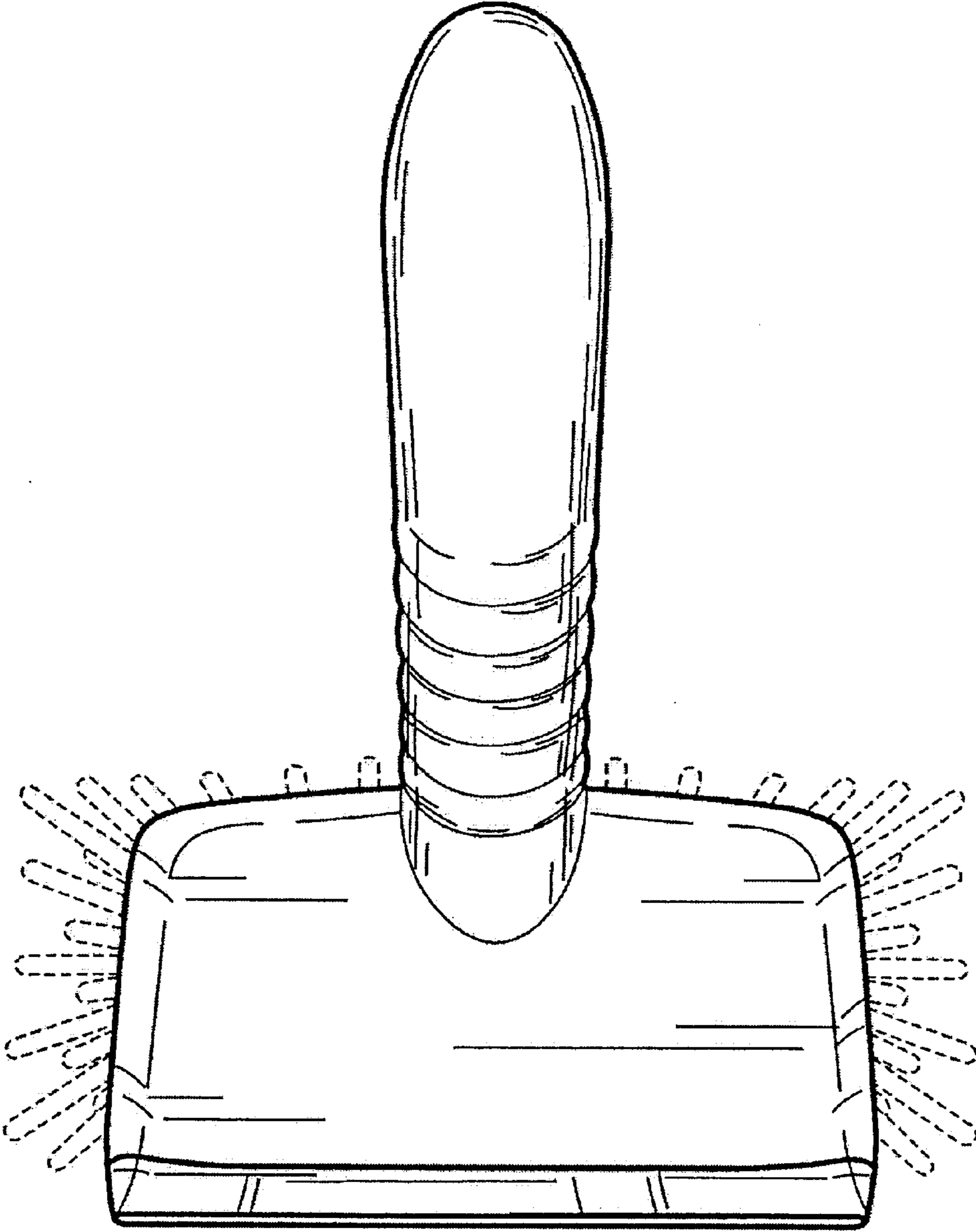


FIG. 2

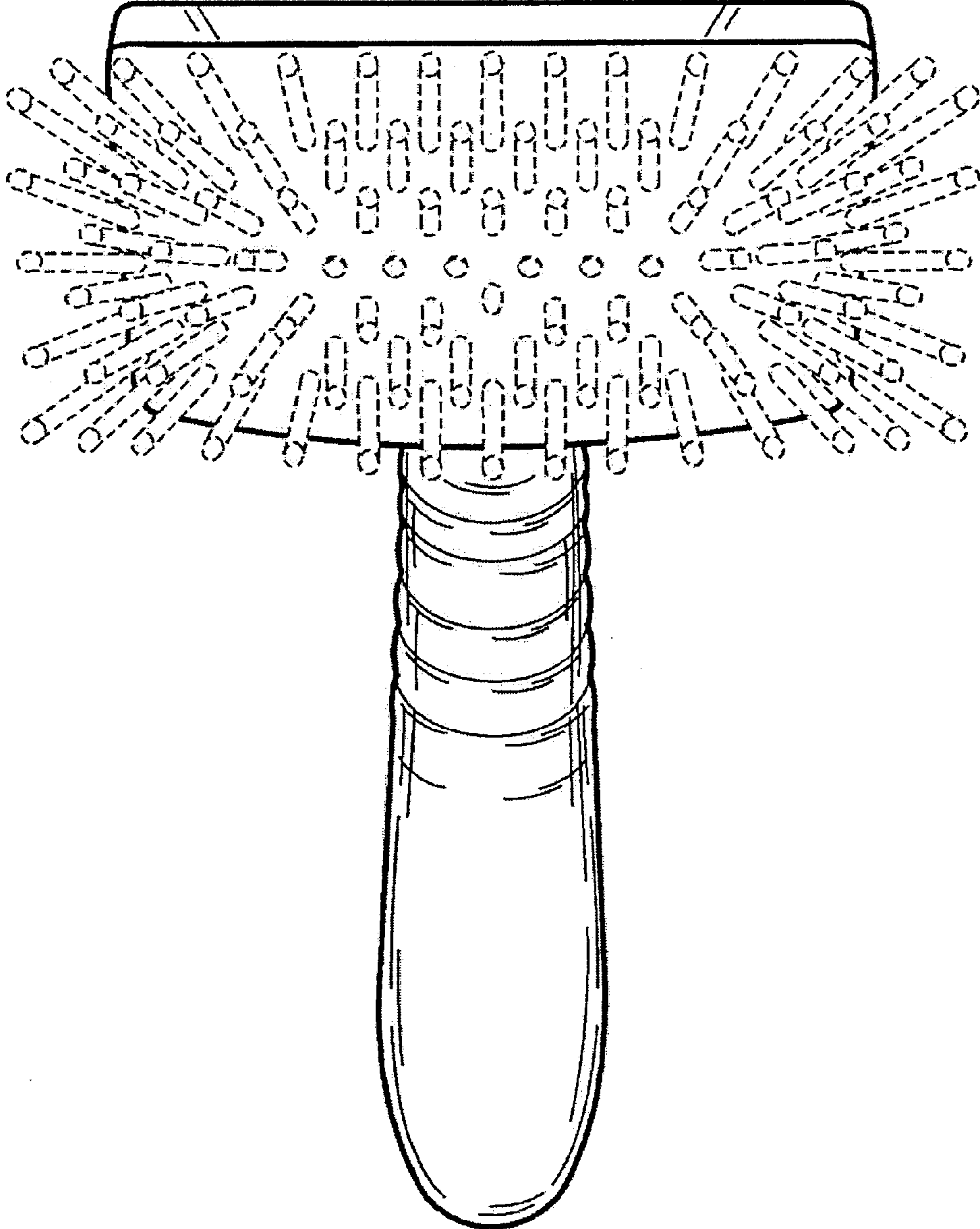


FIG. 3

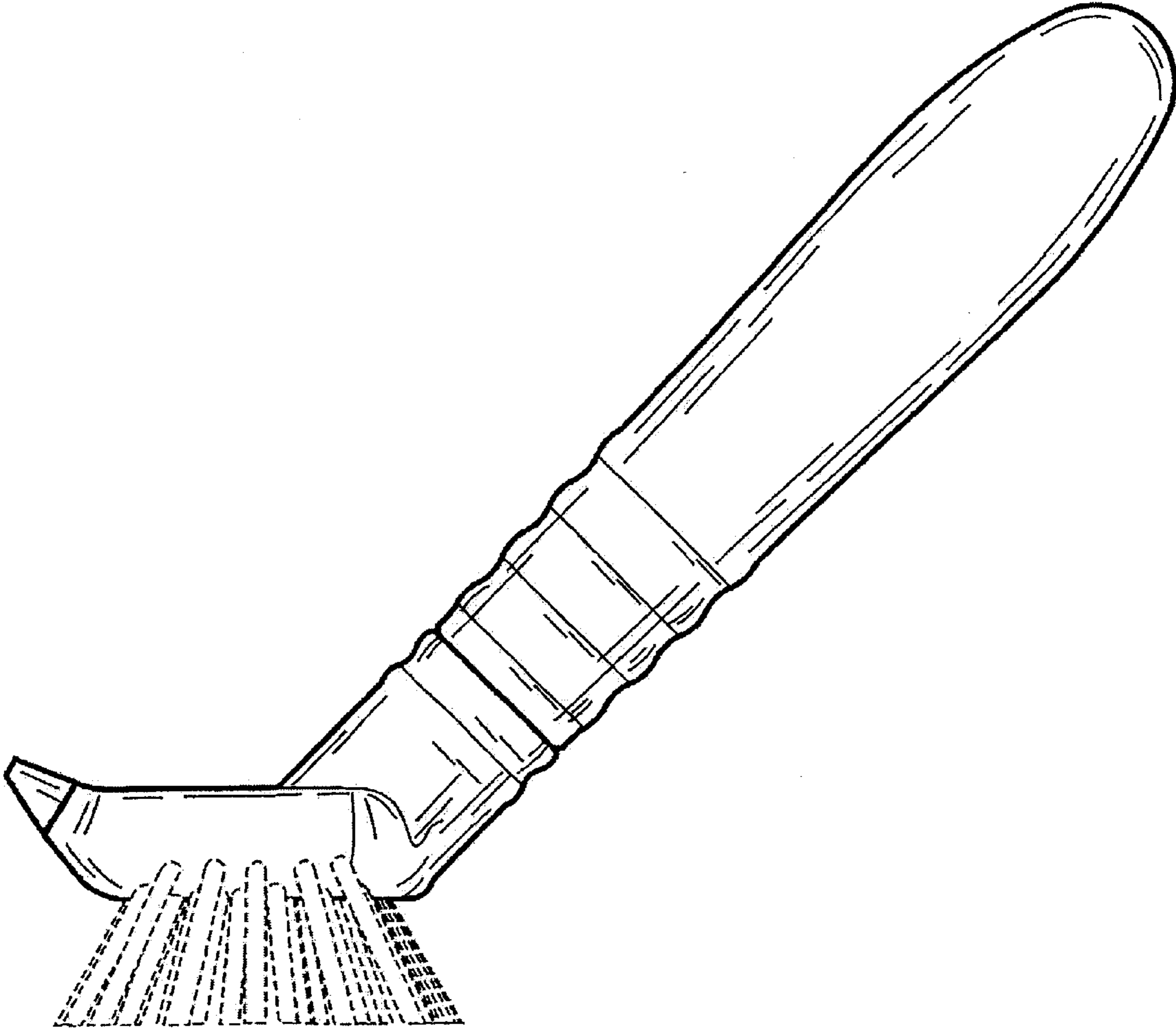


FIG. 4

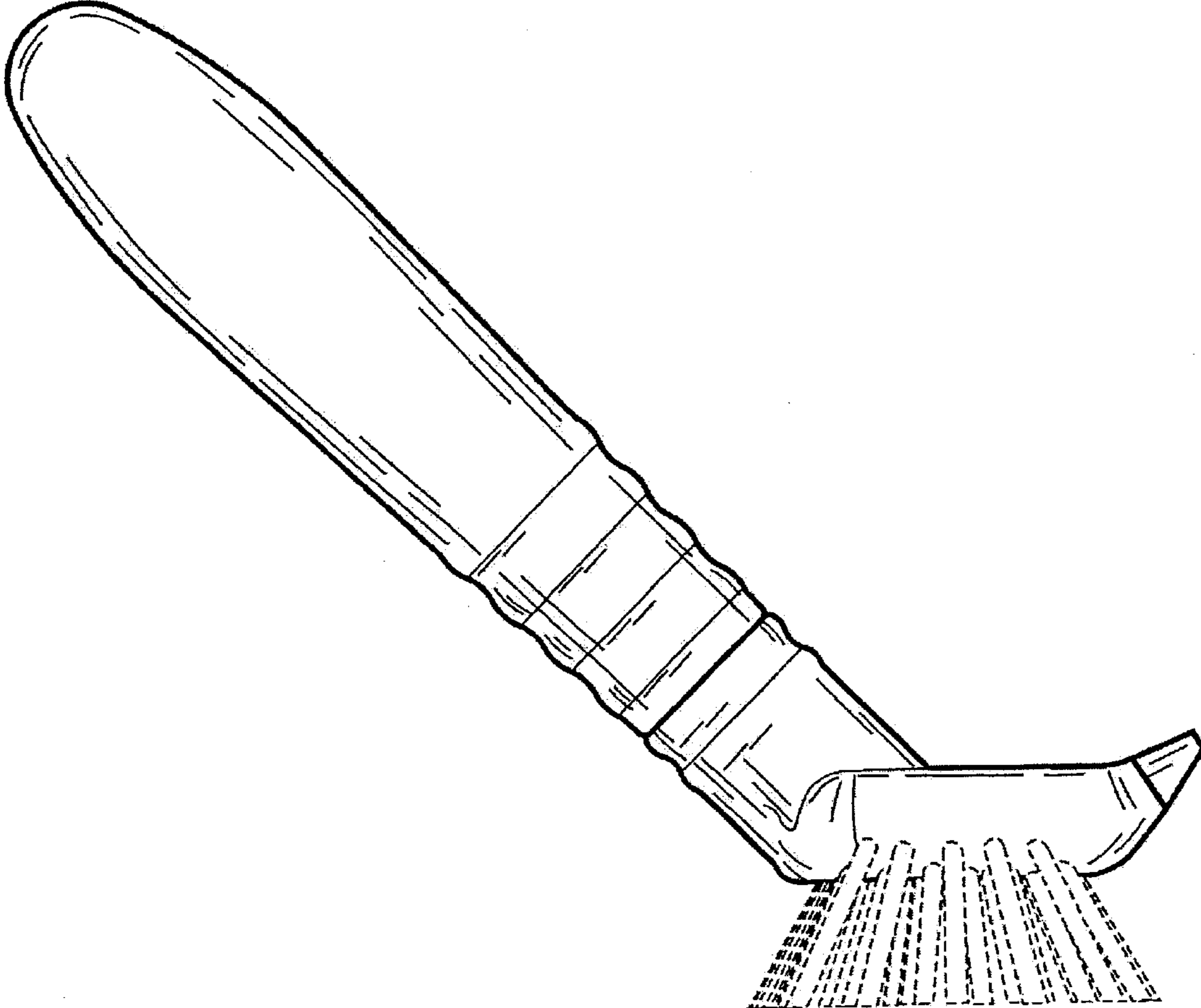


FIG. 5

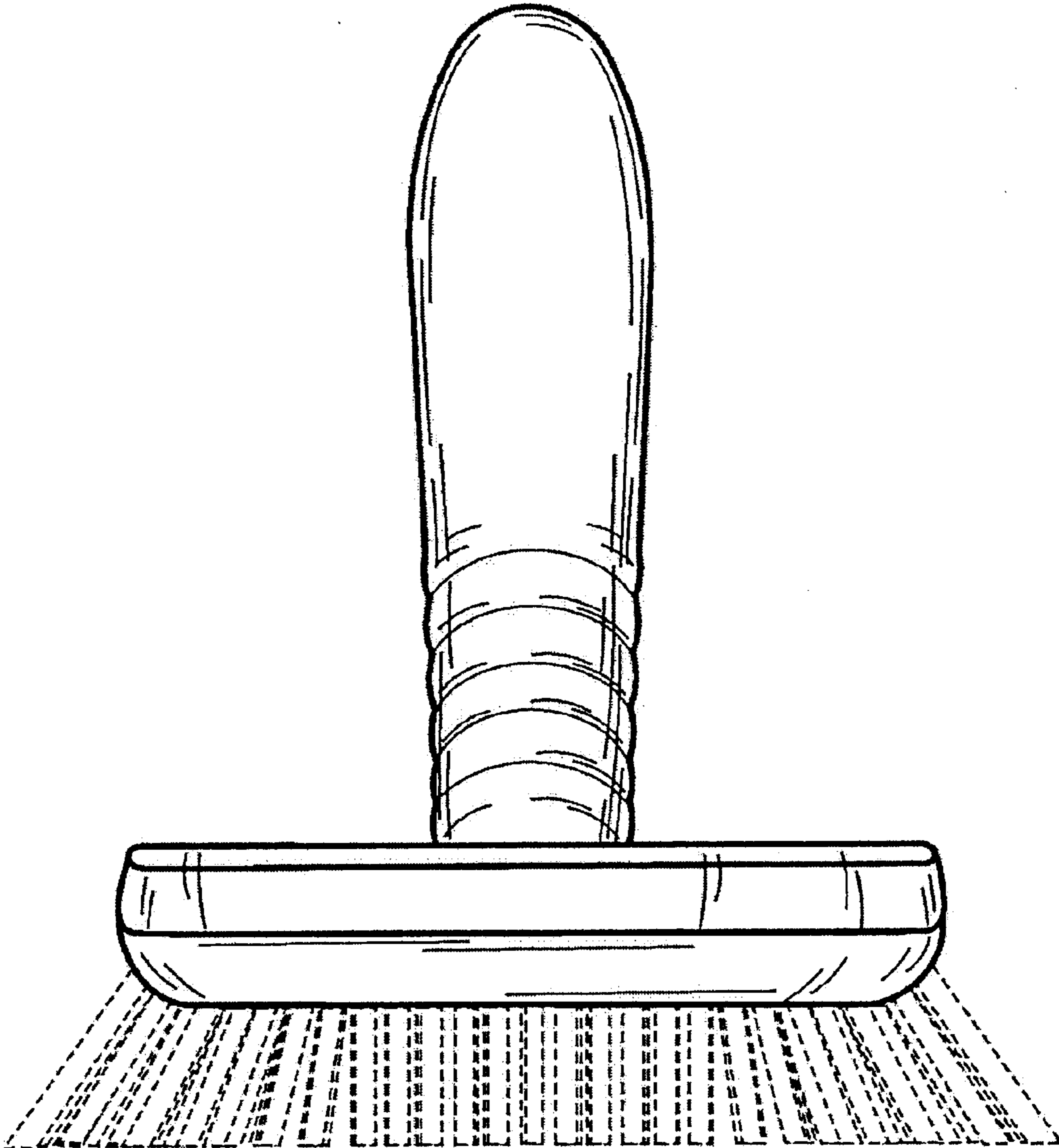


FIG. 6

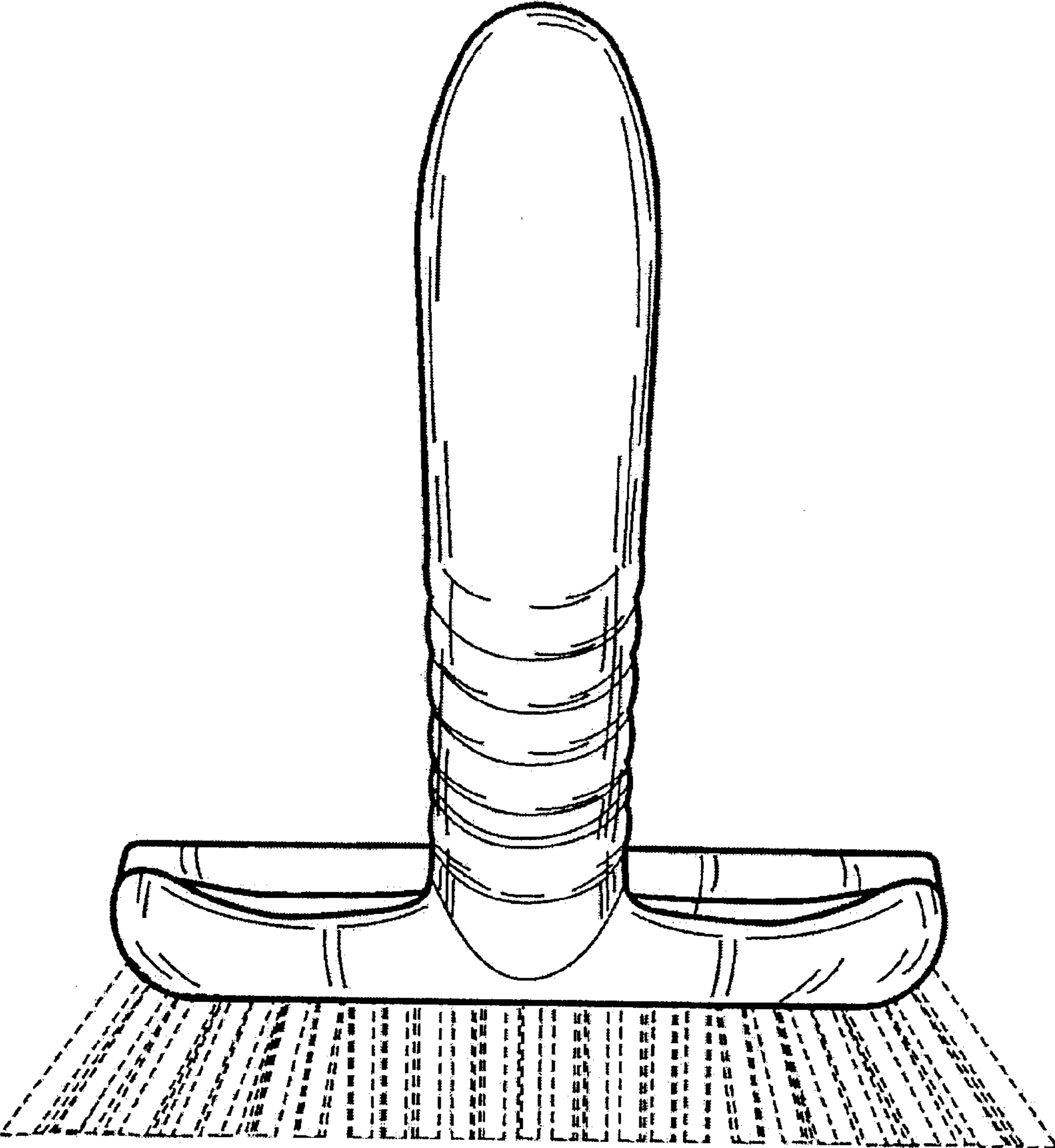


FIG. 7

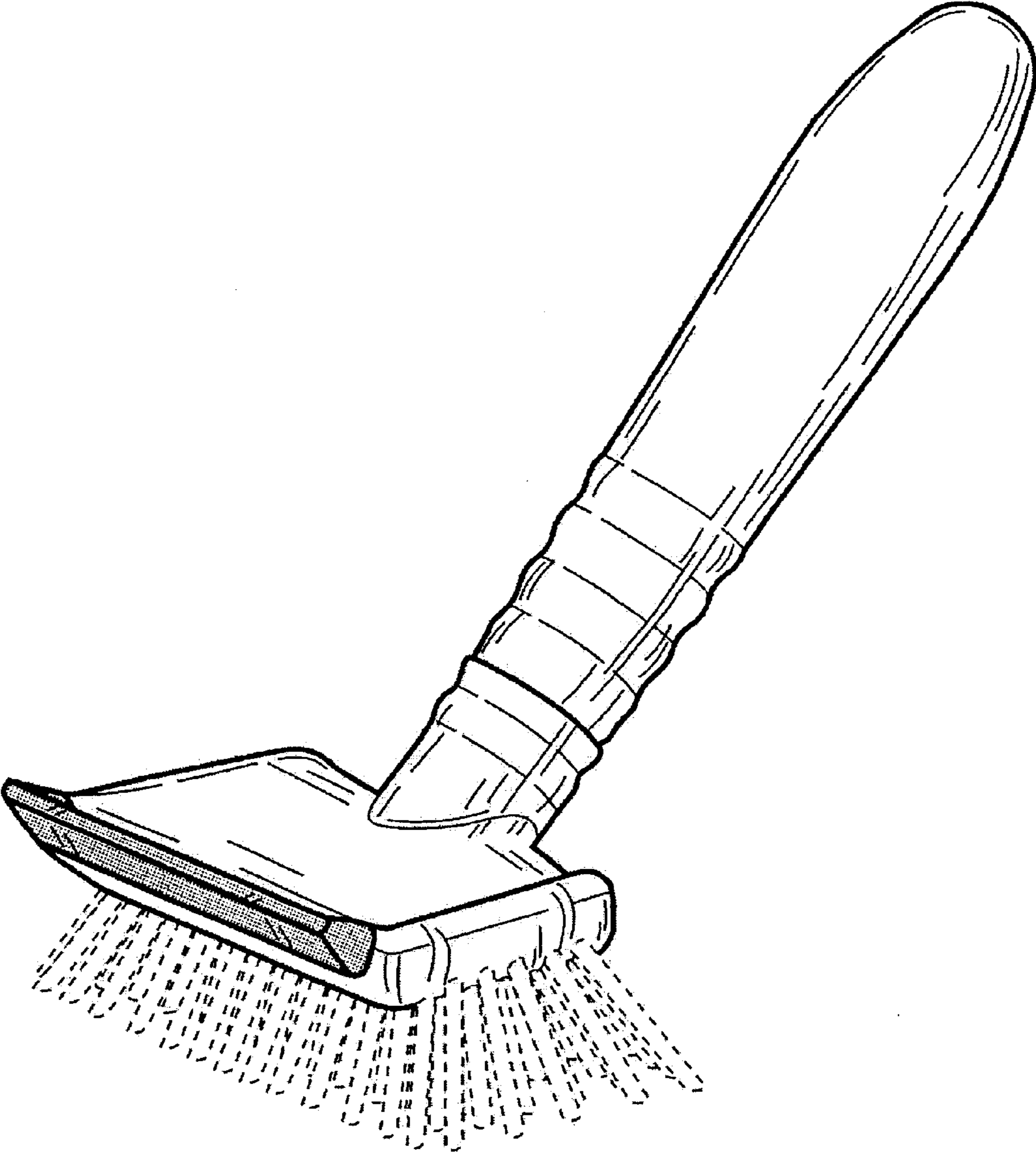


FIG. 8

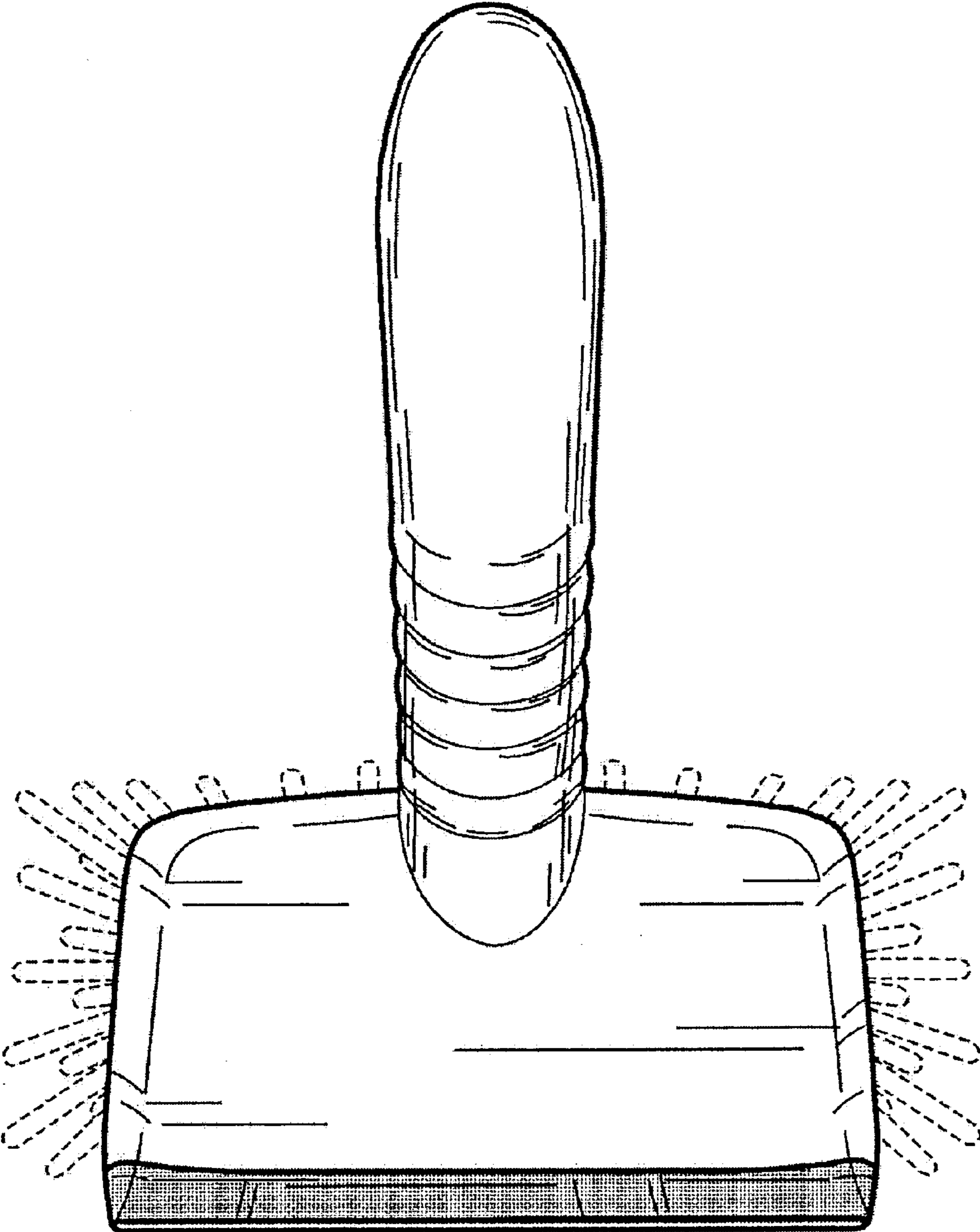


FIG. 9

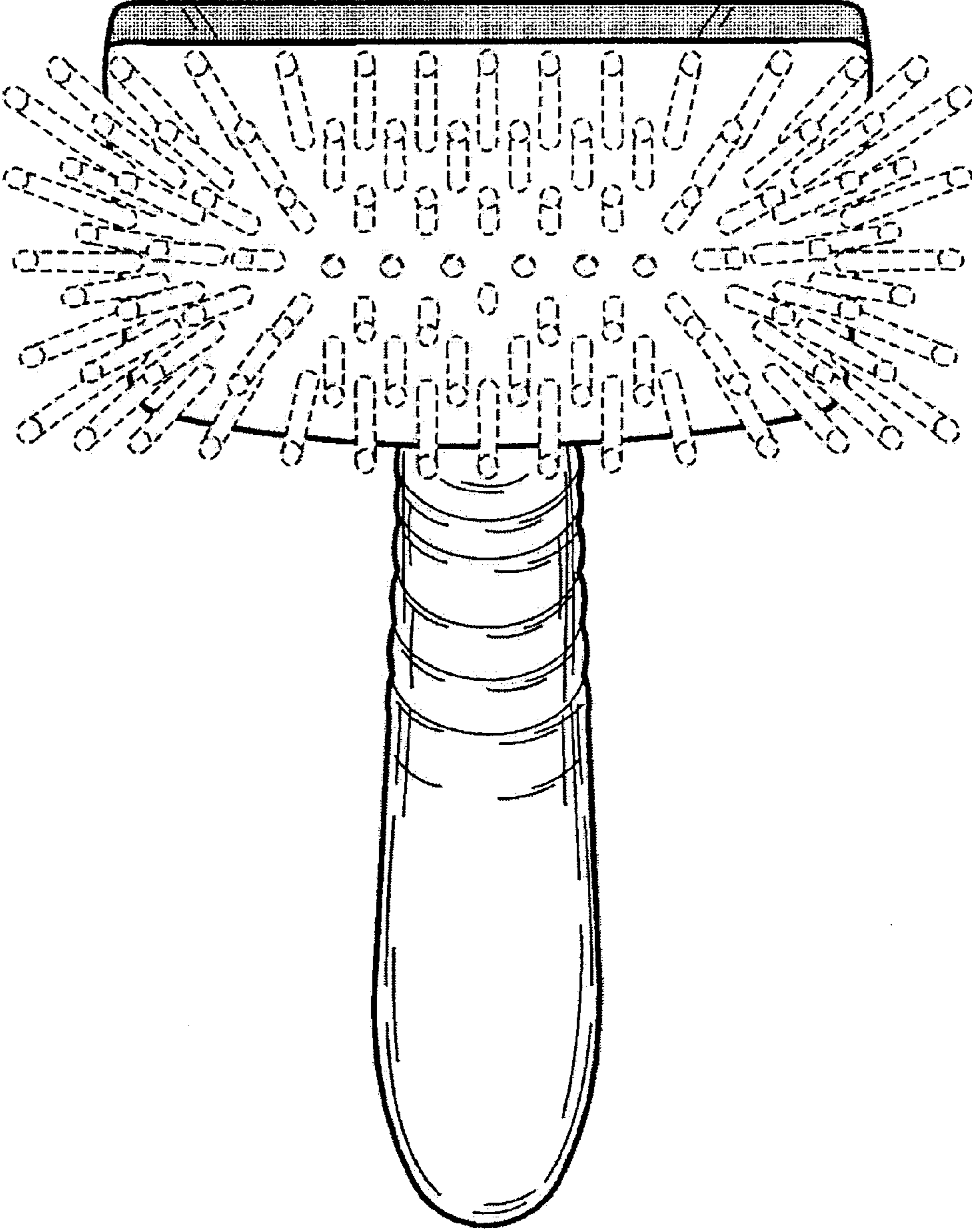


FIG. 10

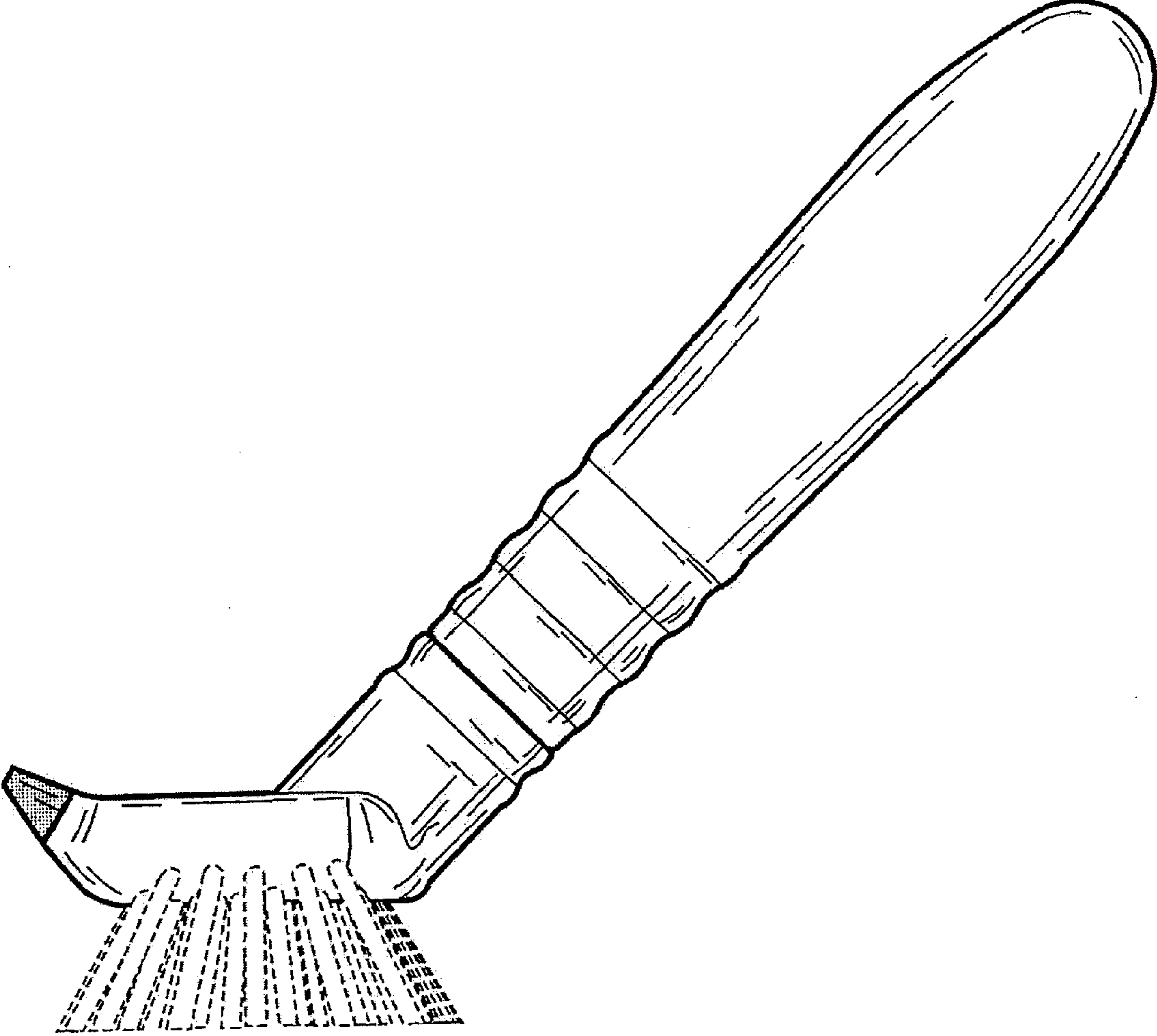


FIG. 11

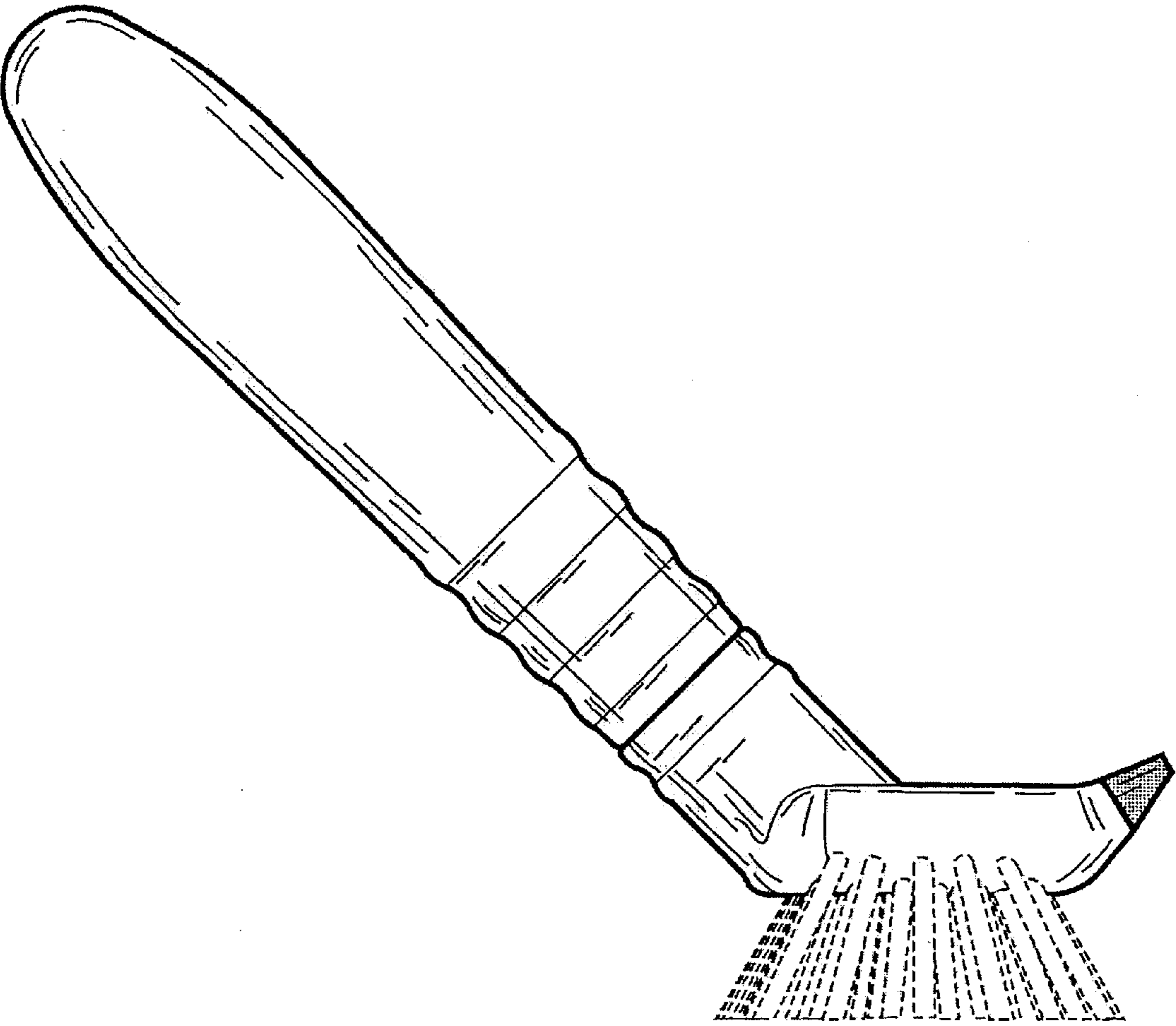


FIG. 12

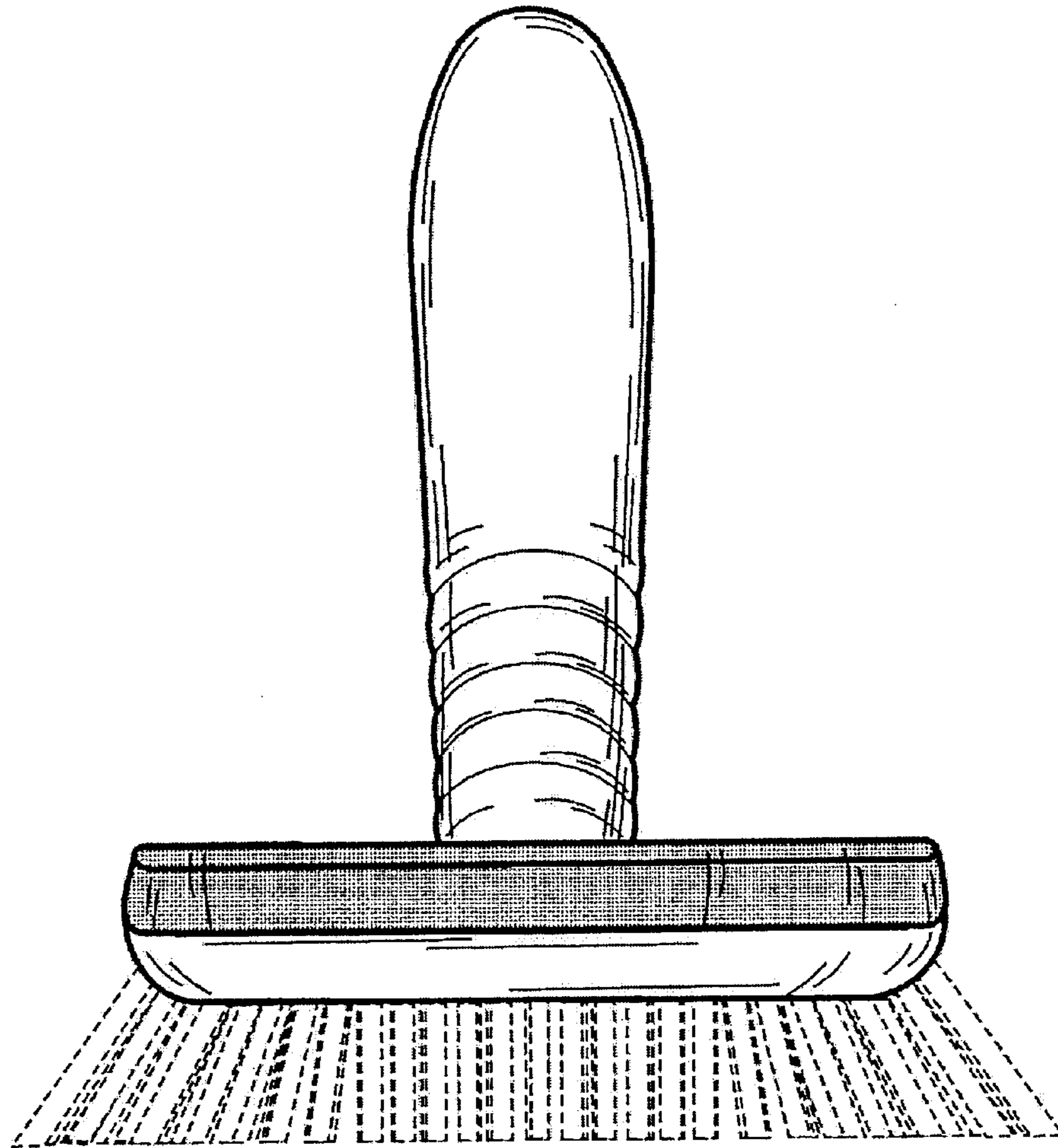


FIG. 13

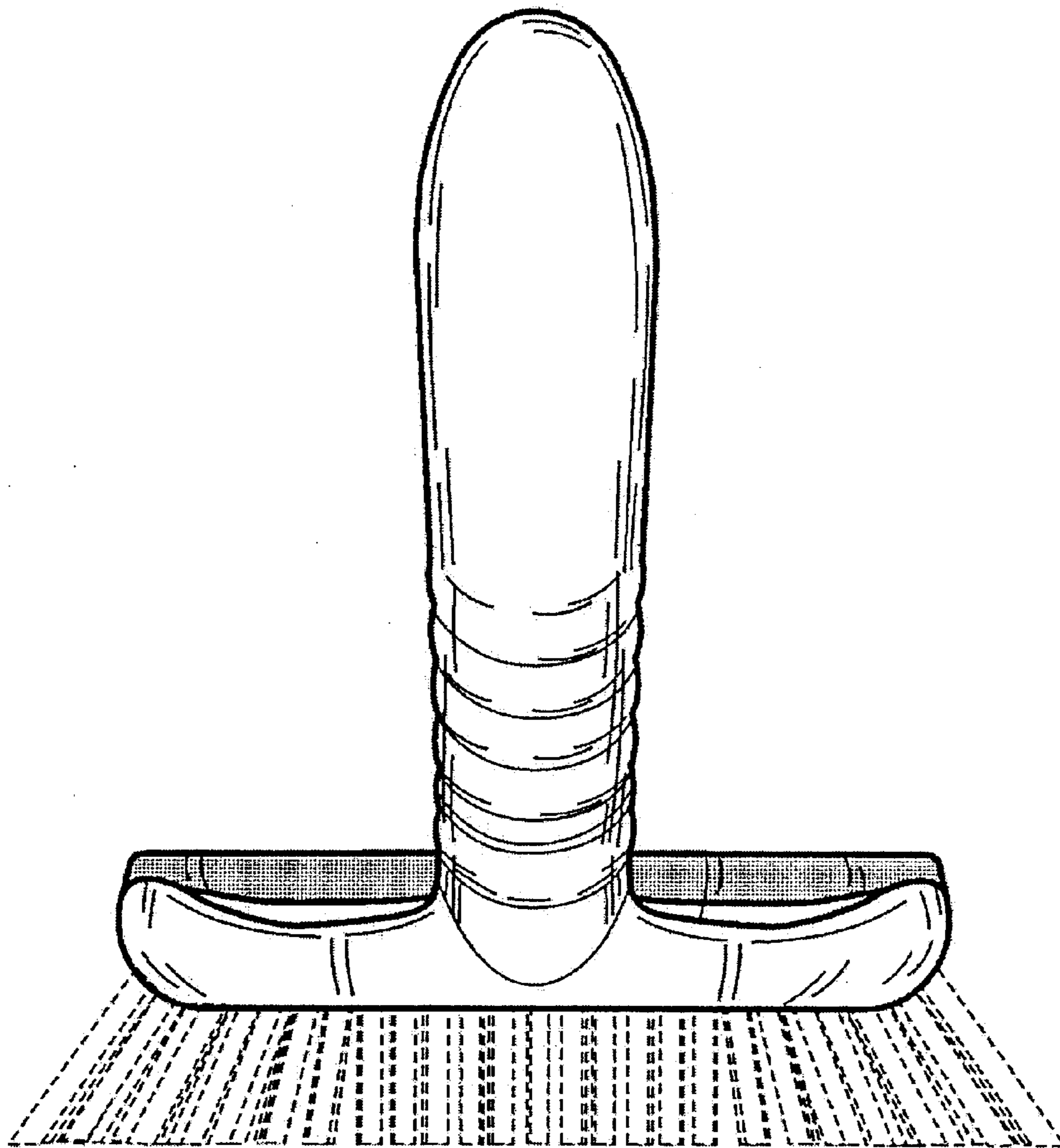


FIG. 14