

US00D501996S

(12) **United States Design Patent**
Schultz

(10) **Patent No.: US D501,996 S**

(45) **Date of Patent: ** Feb. 22, 2005**

(54) **MULTI-STACK BEAD STORAGE CONTAINER**

D310,940 S * 10/1990 Kastanek D7/590
D446,763 S * 8/2001 Denison et al. D12/213
6,585,119 B2 * 7/2003 Palder 211/49.1

(75) **Inventor: Mary Jo Schultz, San Marcos, CA (US)**

* cited by examiner

(73) **Assignee: Lee's Aquarium & Pet Products, San Marcos, CA (US)**

Primary Examiner—Philip S. Hyder
(74) *Attorney, Agent, or Firm*—Murphey & Murphey, A.P.C.

(**) **Term: 14 Years**

(57) **CLAIM**

(21) **Appl. No.: 29/199,484**

The ornamental design for a multi-stack bead storage container, as shown.

(22) **Filed: Feb. 13, 2004**

DESCRIPTION

(51) **LOC (7) Cl. 03-01**

(52) **U.S. Cl. D3/283; D3/295**

(58) **Field of Search** D3/273, 283, 294,
D3/295, 901; 206/315.1; 220/507, 503,
524; D7/590, 600

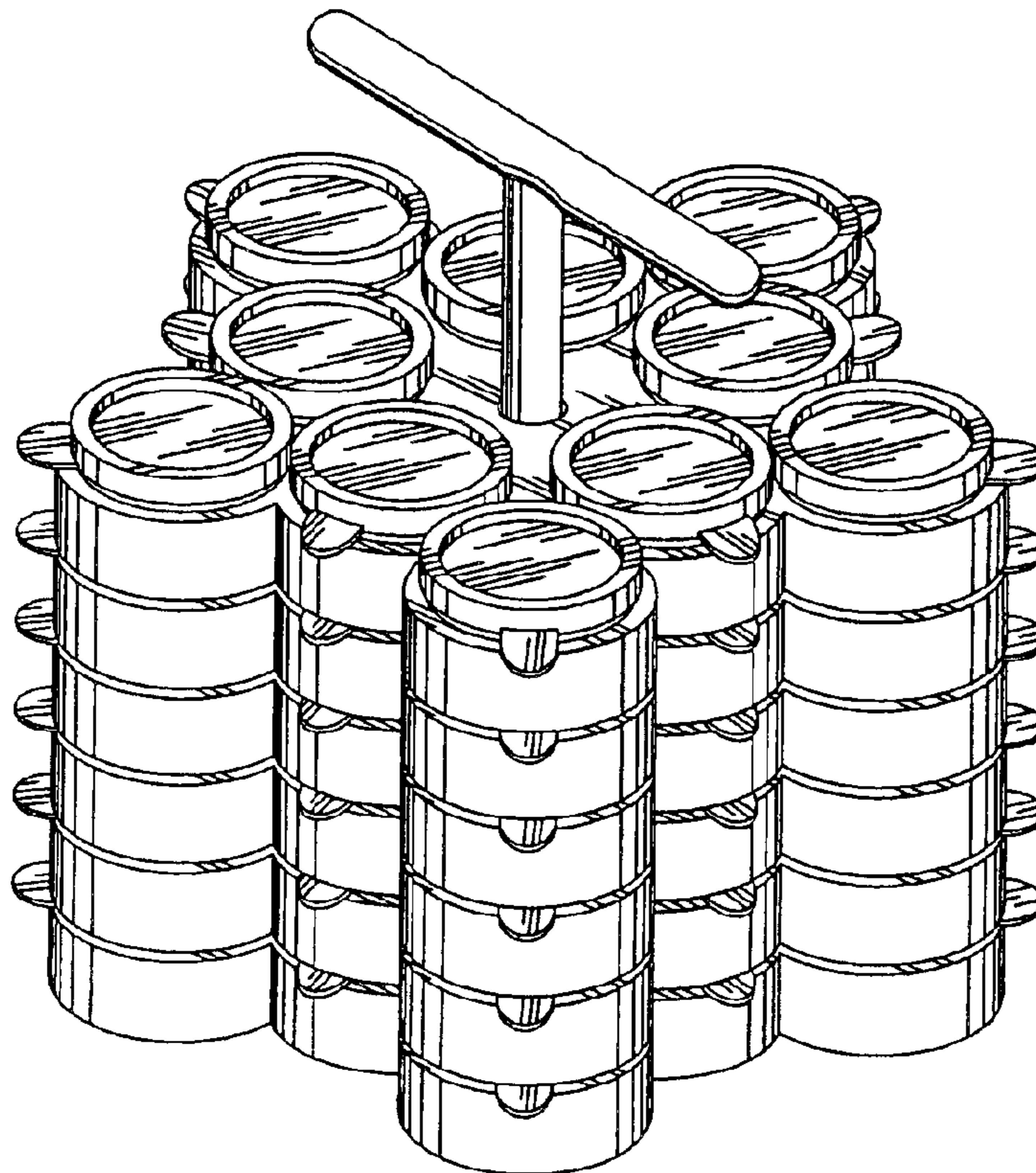
FIG. 1 is a perspective view of the multi-stack bead storage container showing my new design;
FIG. 2 is a top view of the multi-stack bead storage container showing my new design;
FIG. 3 is a side view of the multi-stack bead storage container showing my new design;
FIG. 4 is bottom view of the multi-stack bead storage container showing my new design;
FIG. 5 is a side view in an embodiment of the multi-stack bead storage container showing my new design; and,
FIG. 6 is a perspective, seperated side view of the multi-stack bead storage container showing my new design.

(56) **References Cited**

U.S. PATENT DOCUMENTS

2,360,616 A * 10/1944 Olsen 220/507
3,311,225 A * 3/1967 Kidd 220/507
D216,145 S * 11/1969 Swett et al. D7/600
D225,513 S * 12/1972 Waag D3/284
D246,085 S * 10/1977 Nicholas D7/600
D290,573 S * 6/1987 Drummond et al. D7/706
4,775,055 A * 10/1988 Morse 211/78

1 Claim, 4 Drawing Sheets



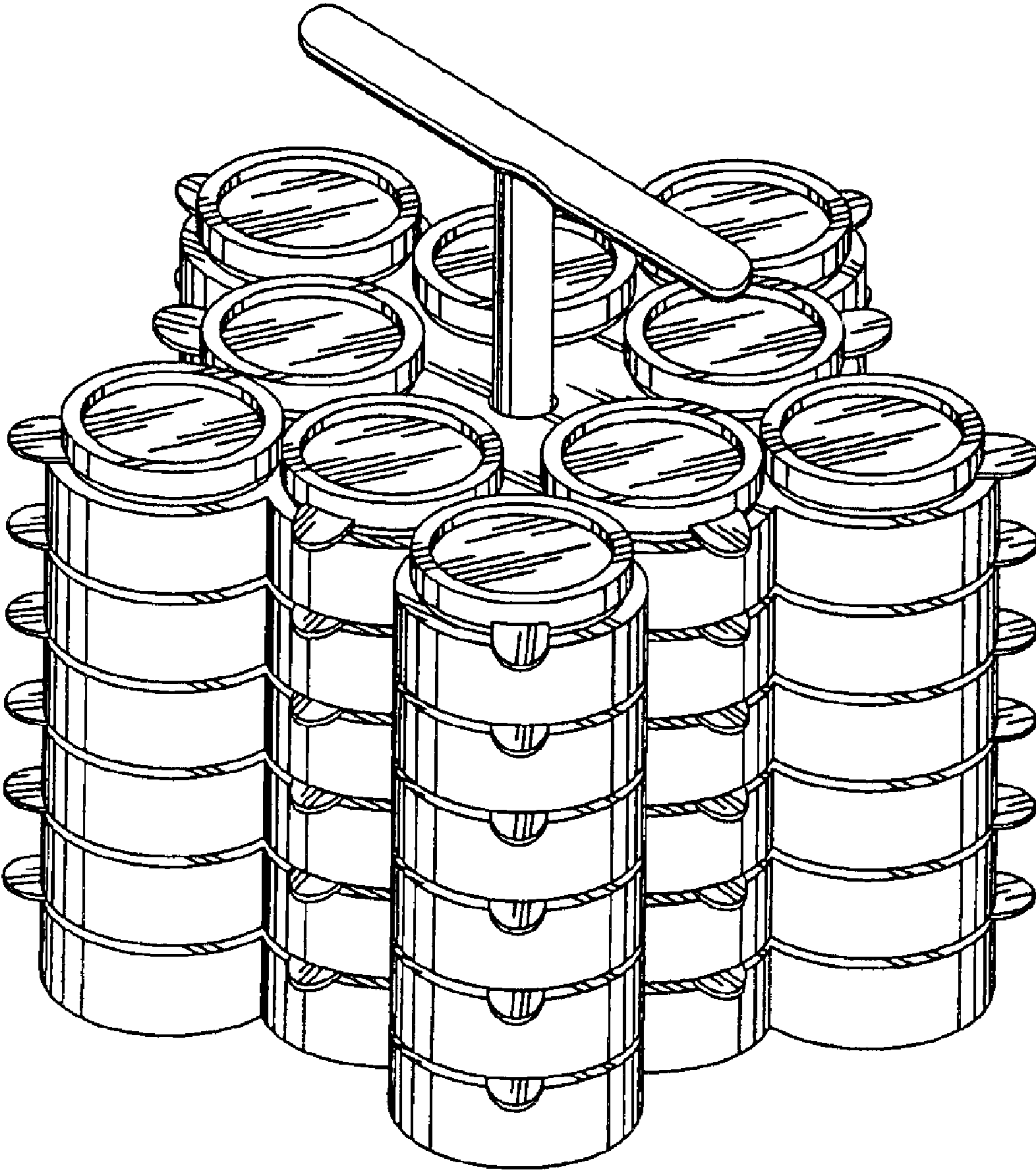


Figure 1

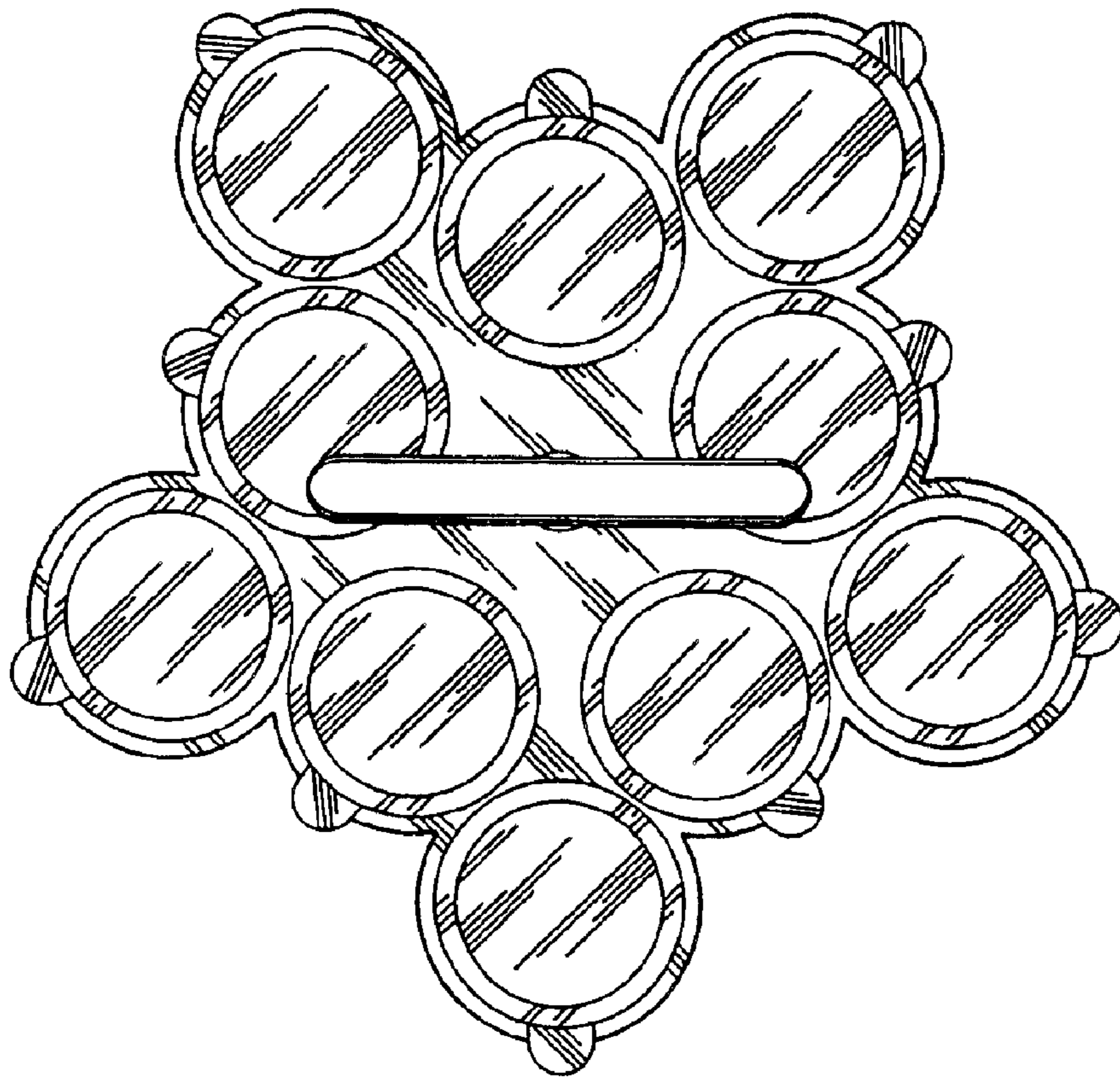


Figure 2

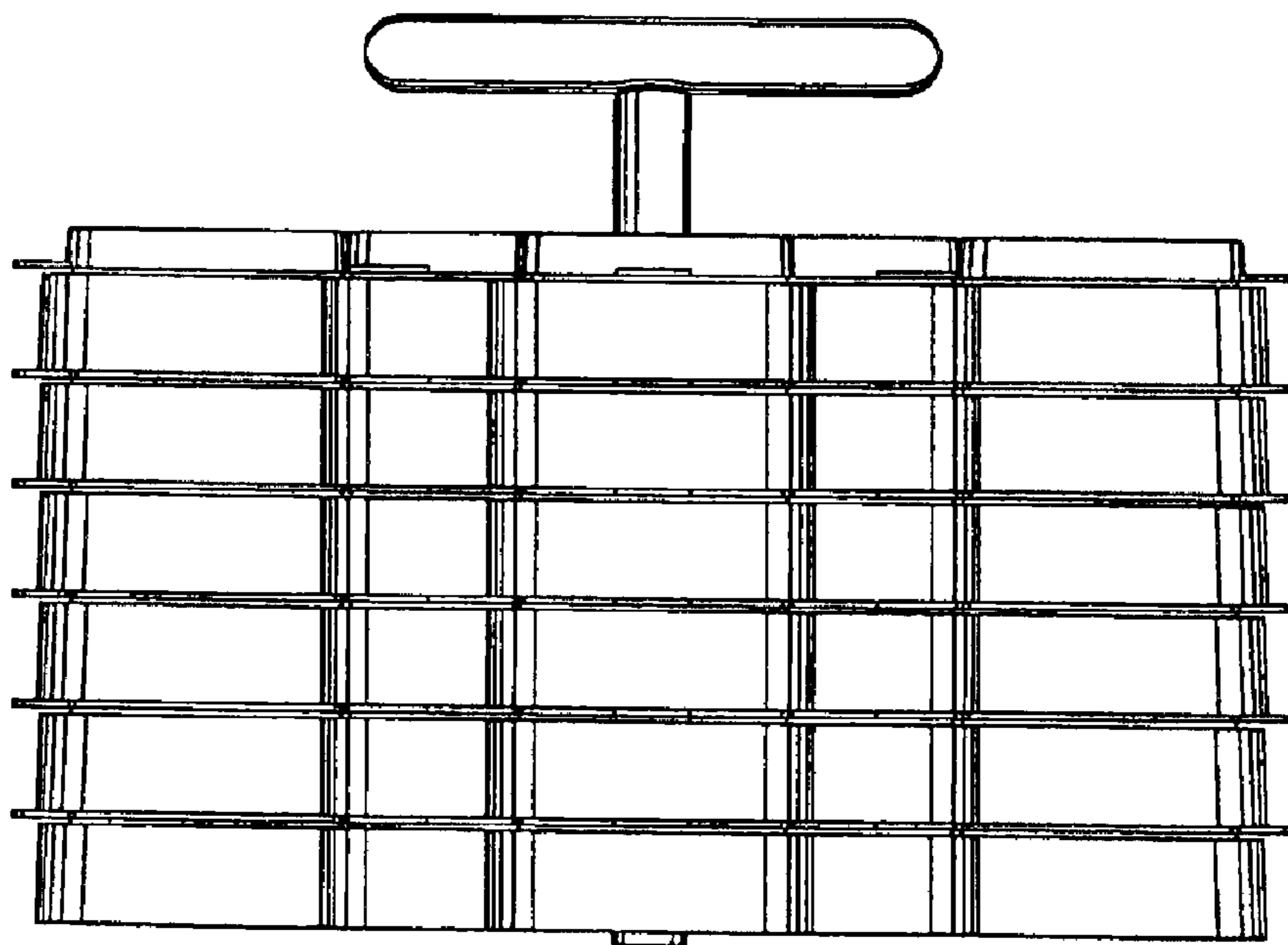


Figure 3

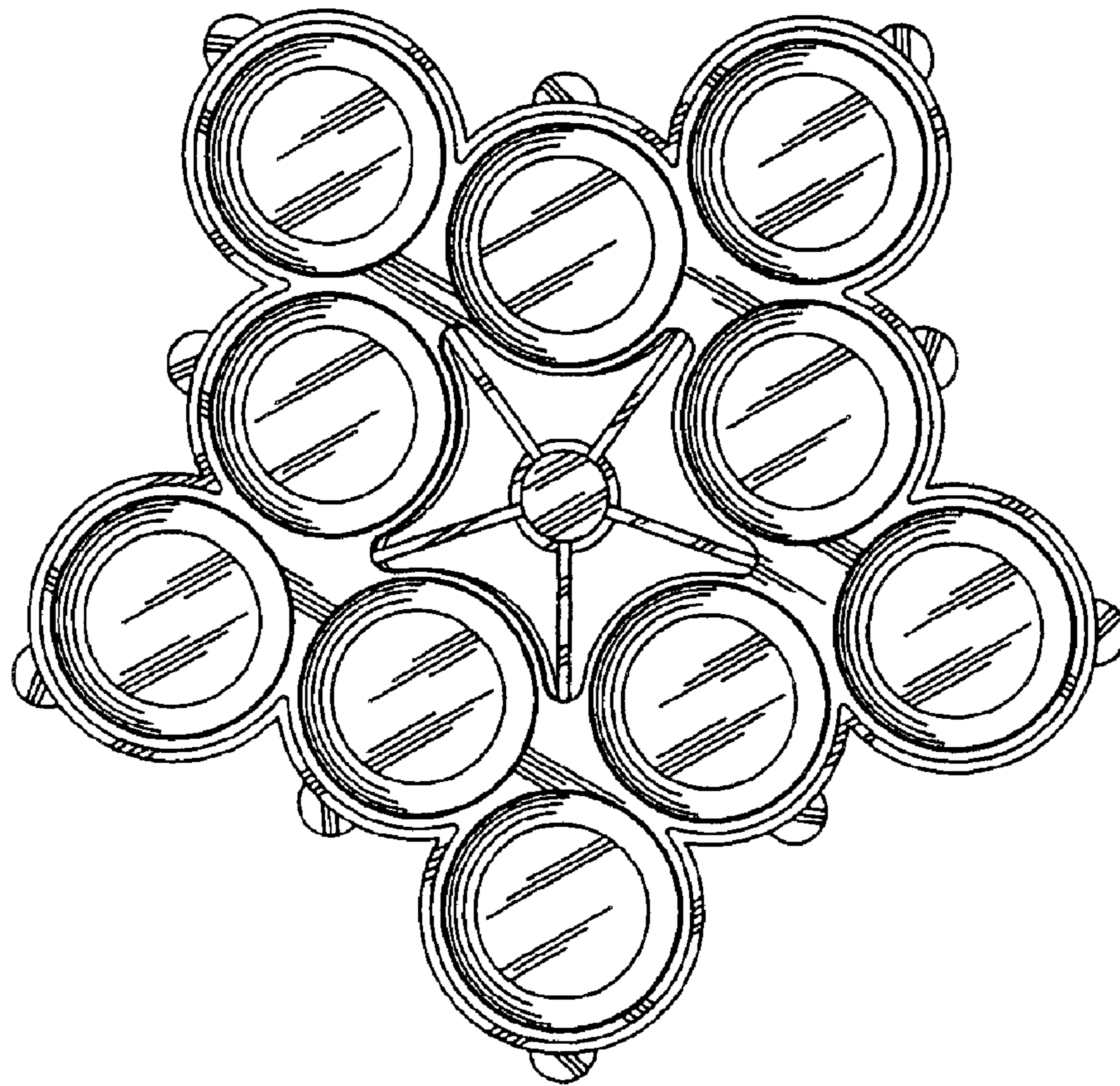


Figure 4

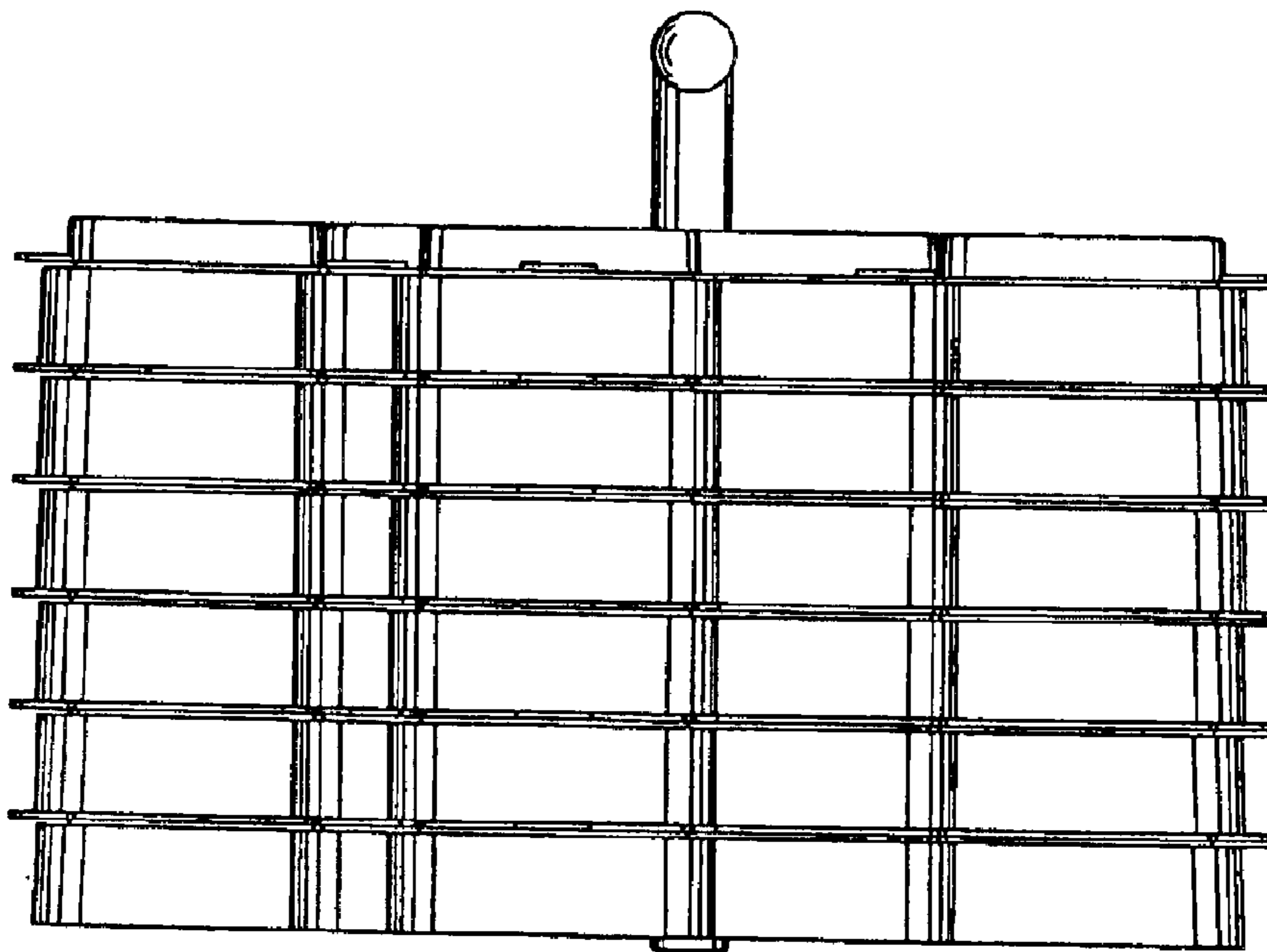


Figure 5

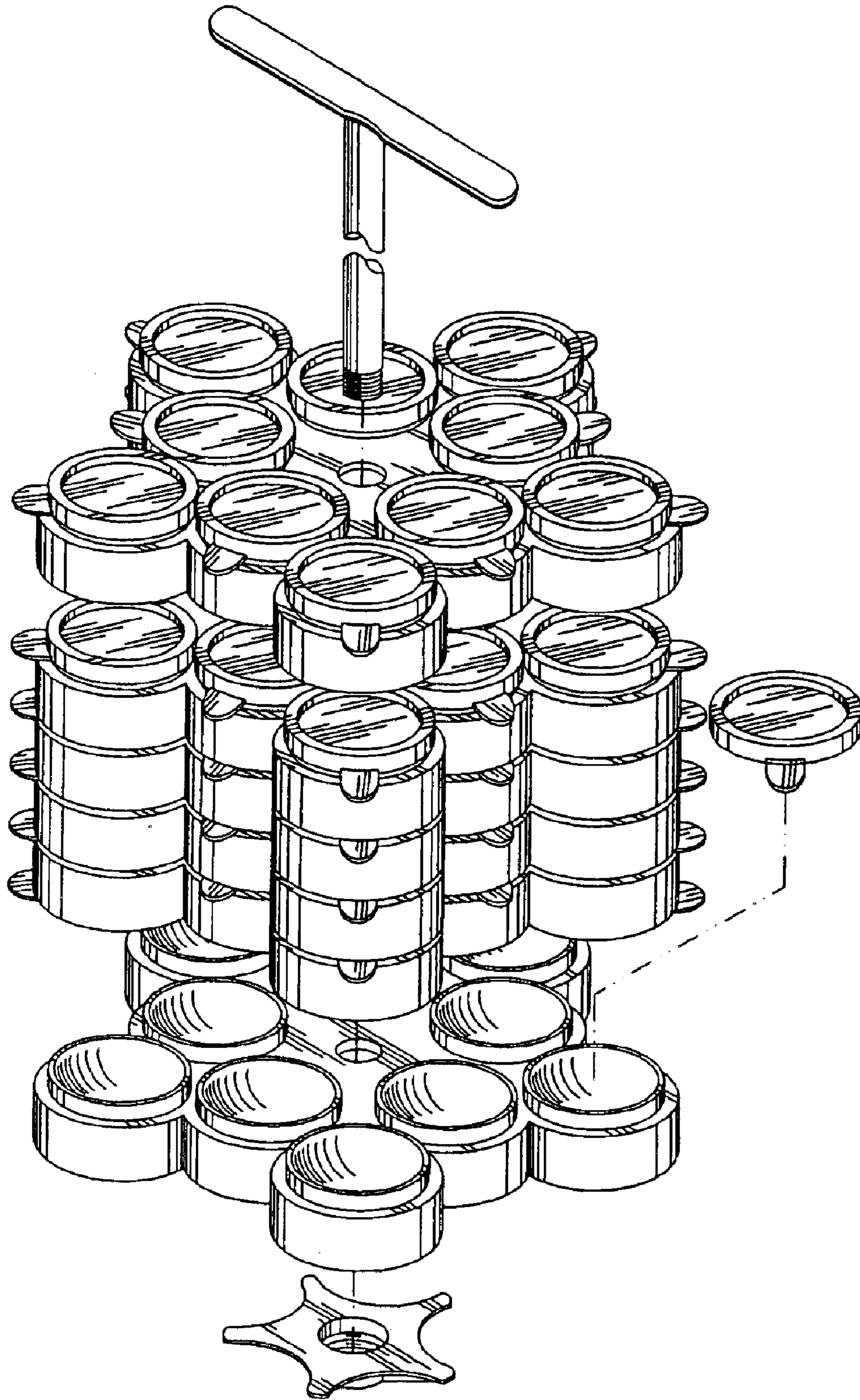


Figure 6