

US00D501994S

(12) **United States Design Patent**  
**Tauchen**

(10) **Patent No.:** **US D501,994 S**

(45) **Date of Patent:** **\*\* Feb. 22, 2005**

- (54) **TENNIS BAG**
- (75) **Inventor:** **Lynne V. Tauchen**, Las Vegas, NV (US)
- (73) **Assignee:** **Jet Imports, Inc.**, Las Vegas, NV (US)
- (\*\*) **Term:** **14 Years**
- (21) **Appl. No.:** **29/194,870**
- (22) **Filed:** **Dec. 2, 2003**
- (51) **LOC (7) Cl.** ..... **03-01**
- (52) **U.S. Cl.** ..... **D3/256; D3/217; D3/221**
- (58) **Field of Search** ..... **D3/217, 221, 254, D3/256, 289; 206/315.1, 315.9; 190/103; 224/650**

- D320,692 S 10/1991 Killer
- 5,071,126 A 12/1991 Baugh
- D340,351 S 10/1993 Wrath
- D354,851 S 1/1995 Smith et al.
- 5,415,332 A 5/1995 Kliot
- 5,431,265 A 7/1995 Yoo
- 5,431,317 A 7/1995 Kliot
- 5,509,279 A 4/1996 Brown et al.
- 5,529,229 A 6/1996 Fier
- 5,558,259 A 9/1996 Izzo
- D375,403 S 11/1996 Melk
- D378,165 S 2/1997 Tucker
- 5,839,577 A 11/1998 Friedler
- 5,881,875 A 3/1999 Beurekjian

(List continued on next page.)

**OTHER PUBLICATIONS**

Flyer for Jet Bag 2002/2003 Collection, circa Jan. 2003.  
Photos of Tennis Bag on sale prior to Dec. 2, 2002, 12 pages.

*Primary Examiner*—Philip S. Hyder

(74) *Attorney, Agent, or Firm*—Bose McKinney & Evans LLP

(56) **References Cited**

**U.S. PATENT DOCUMENTS**

- 2,767,758 A 10/1956 Haynes
- 3,346,155 A 10/1967 Oechsle
- D232,270 S \* 7/1974 Glantz et al. .... D3/256
- D238,010 S \* 12/1975 Canton ..... D3/256
- 3,963,103 A \* 6/1976 Cowen, III ..... 206/315.1
- D246,940 S 1/1978 Sabol
- 4,085,873 A 4/1978 Schweitzer
- 4,119,127 A 10/1978 Klug
- 4,153,092 A 5/1979 Haslam
- 4,164,968 A 8/1979 Esposito, Jr. et al.
- RE30,138 E 11/1979 Cowen, III
- D262,072 S \* 12/1981 Pfeiffer ..... D3/256
- D268,712 S \* 4/1983 Hoberman et al. .... D3/256
- 4,378,866 A \* 4/1983 Pelavin ..... 190/111
- D273,534 S 4/1984 Weinreb
- 4,506,769 A 3/1985 Franco et al.
- D281,119 S 10/1985 Kalkus
- D281,290 S 11/1985 Beigel
- D284,620 S 7/1986 Calton
- D284,715 S 7/1986 Jacober et al.
- 4,673,117 A 6/1987 Calton
- 4,752,008 A 6/1988 Pratt
- 4,805,748 A 2/1989 Gerch
- 4,810,102 A 3/1989 Norton

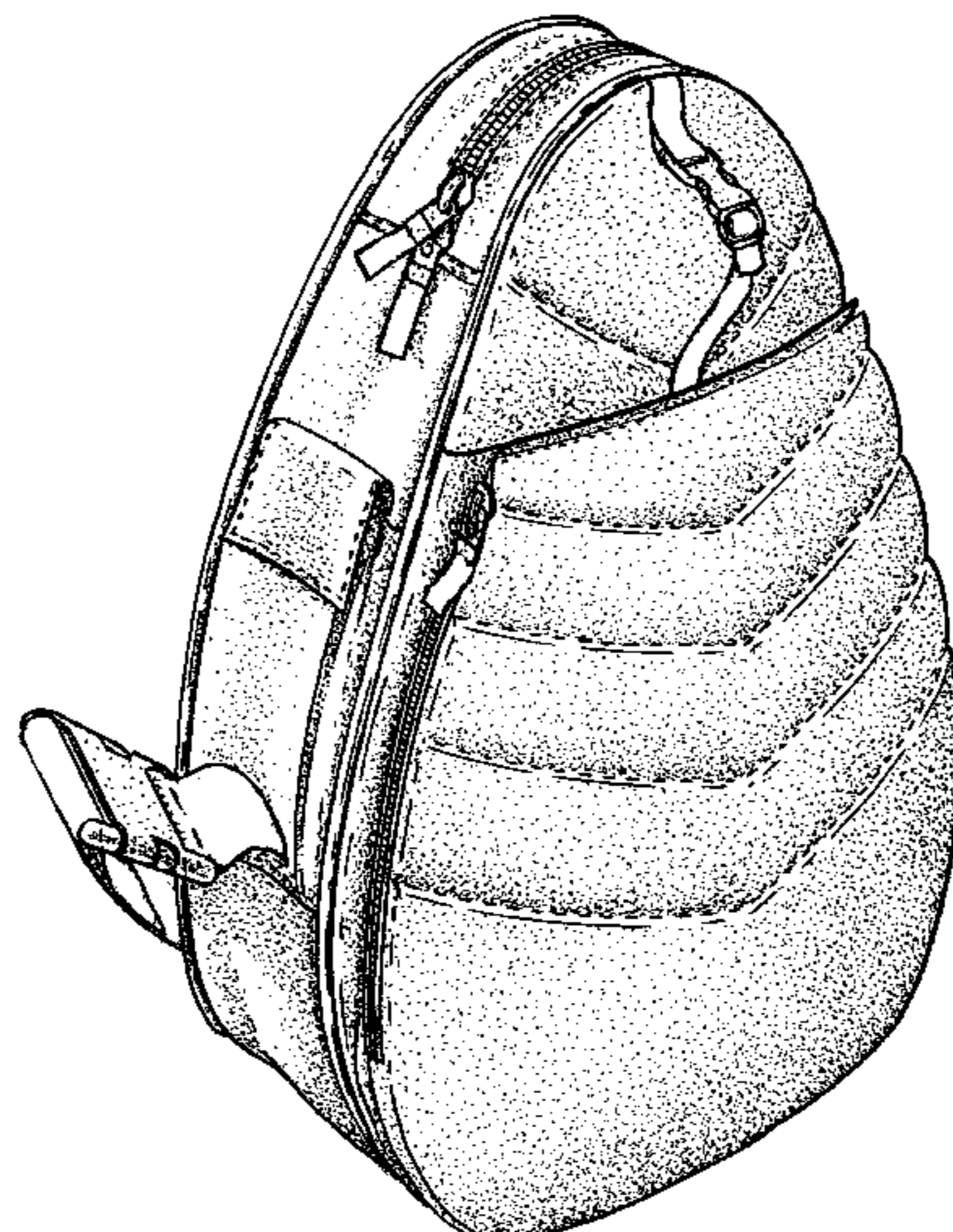
(57) **CLAIM**

The ornamental design for a tennis bag, as shown and described.

**DESCRIPTION**

FIG. 1 is a perspective view as seen from the top, front, and left side of a tennis bag of the present invention; FIG. 2 is a top plan view thereof; FIG. 3 is a bottom plan view thereof; FIG. 4 is a front elevational view thereof; FIG. 5 is a rear elevational view thereof; FIG. 6 is a right side elevational view thereof; and, FIG. 7 is a left side elevational view thereof. The broken lines in the figures showing conventional stitching, an identification window, and a mobile phone holder are for illustrative purposes only and form no part of the claimed design.

**1 Claim, 4 Drawing Sheets**



# US D501,994 S

Page 2

---

## U.S. PATENT DOCUMENTS

5,950,894 A	9/1999	Haber	6,336,577 B1	1/2002	Harris et al.
5,975,293 A	11/1999	Fowler	D455,009 S	4/2002	Thayer
5,979,727 A	11/1999	Steurer	6,367,674 B1	4/2002	Tabor
6,009,995 A	1/2000	Speck	D458,749 S	6/2002	Bruni et al.
6,029,830 A	2/2000	Manookian	6,427,886 B1	8/2002	Essex
6,053,340 A	4/2000	Cameron	6,460,746 B1	10/2002	Amram
D425,698 S	5/2000	Paul et al.	D471,353 S	3/2003	Ho
6,138,881 A	10/2000	Paul et al.	6,530,507 B2	3/2003	Oh
6,168,060 B1	1/2001	Mayers	6,595,358 B1	7/2003	Speck
6,182,878 B1	2/2001	Racca	6,619,519 B1	9/2003	Nix et al.
6,328,192 B1	12/2001	Sundara et al.			

\* cited by examiner

FIG-1

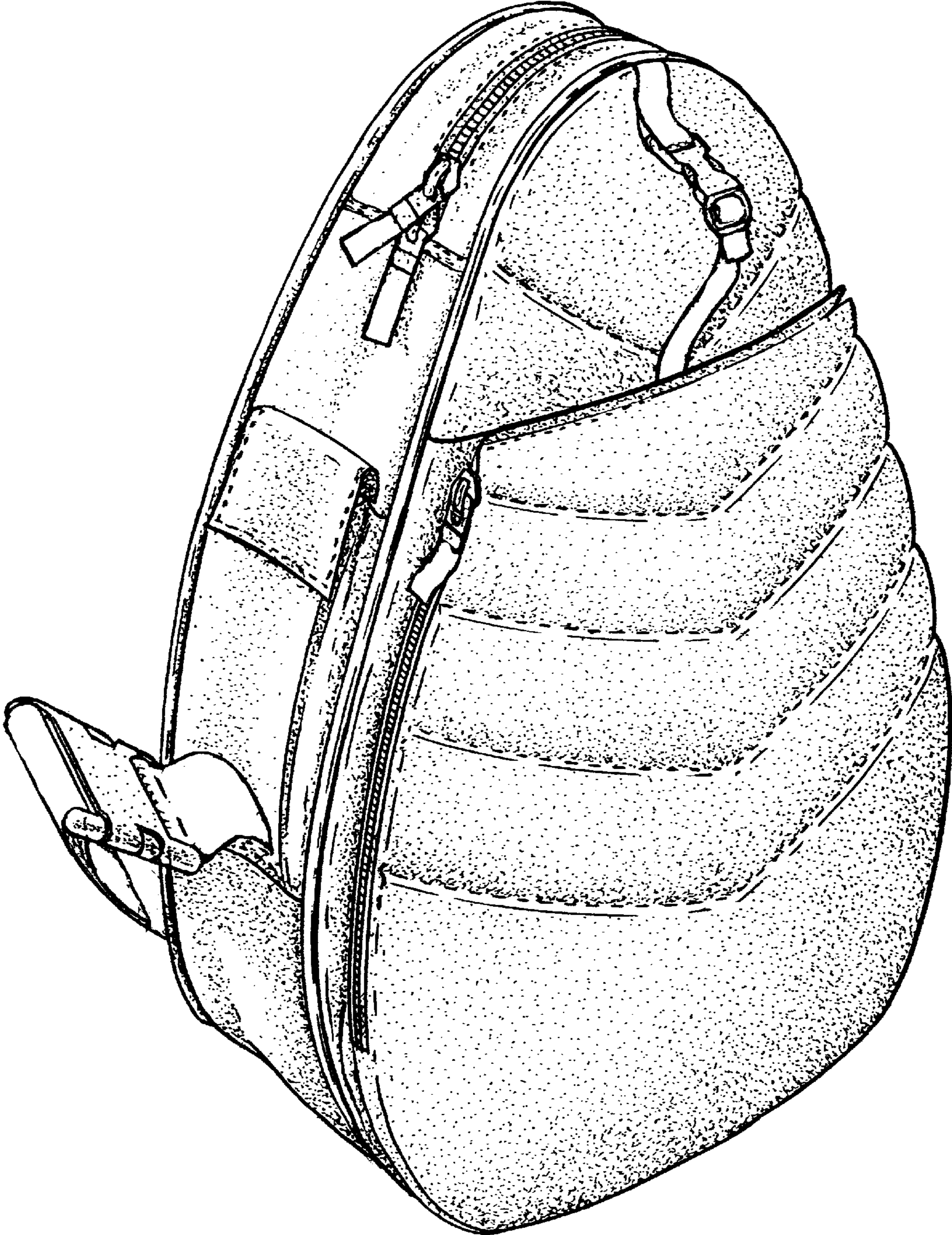


FIG - 2

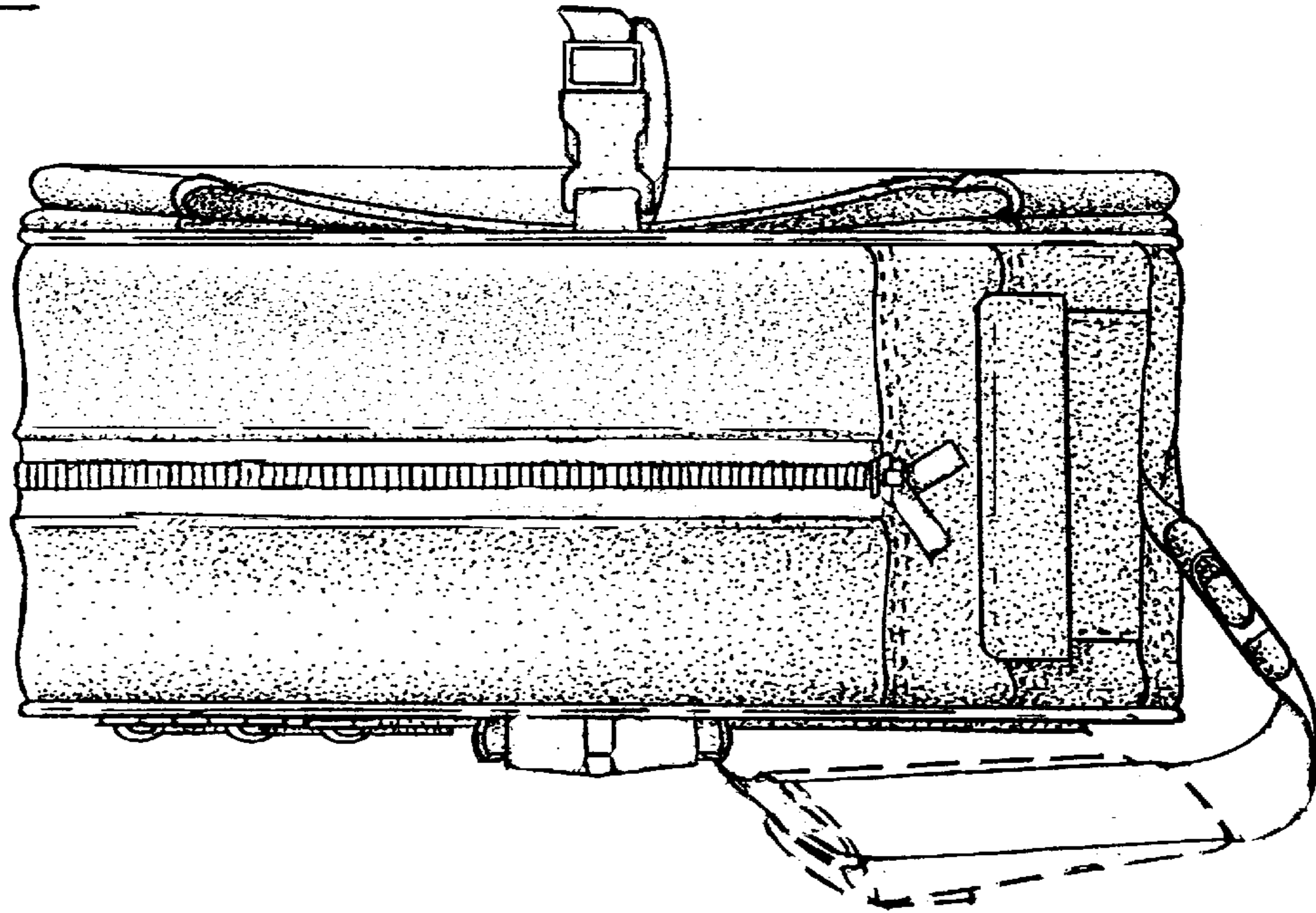
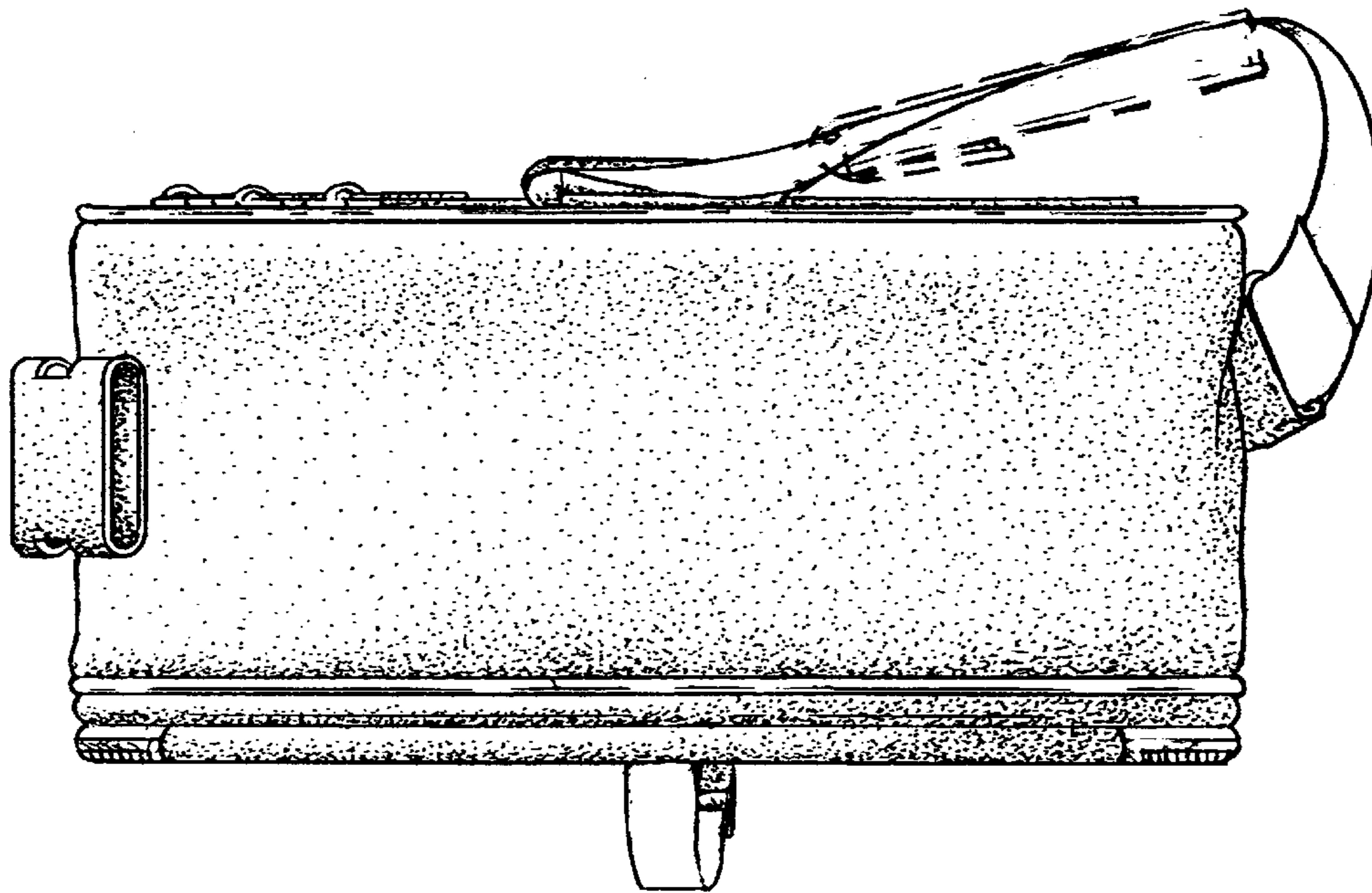


FIG - 3



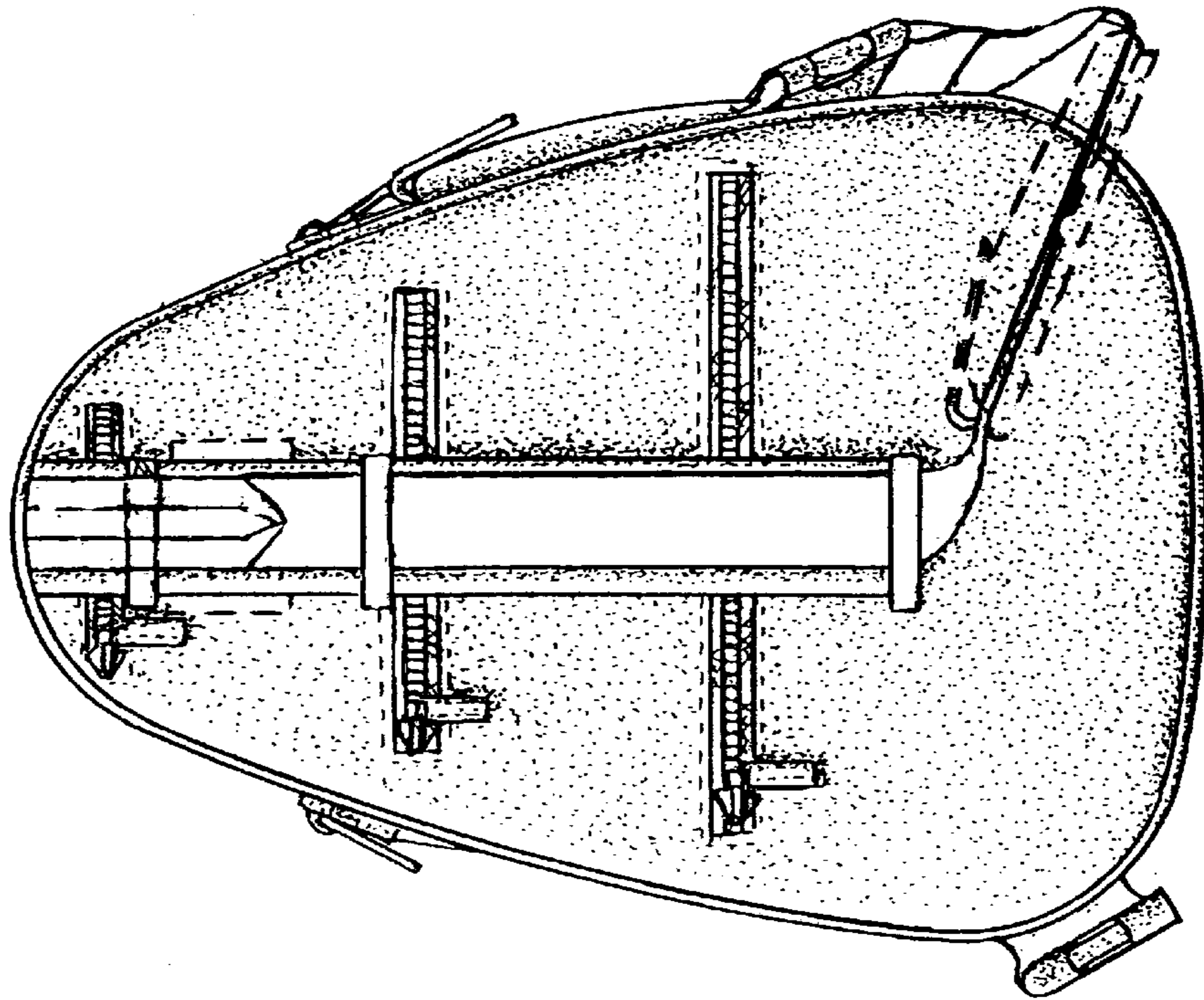


FIG. 5

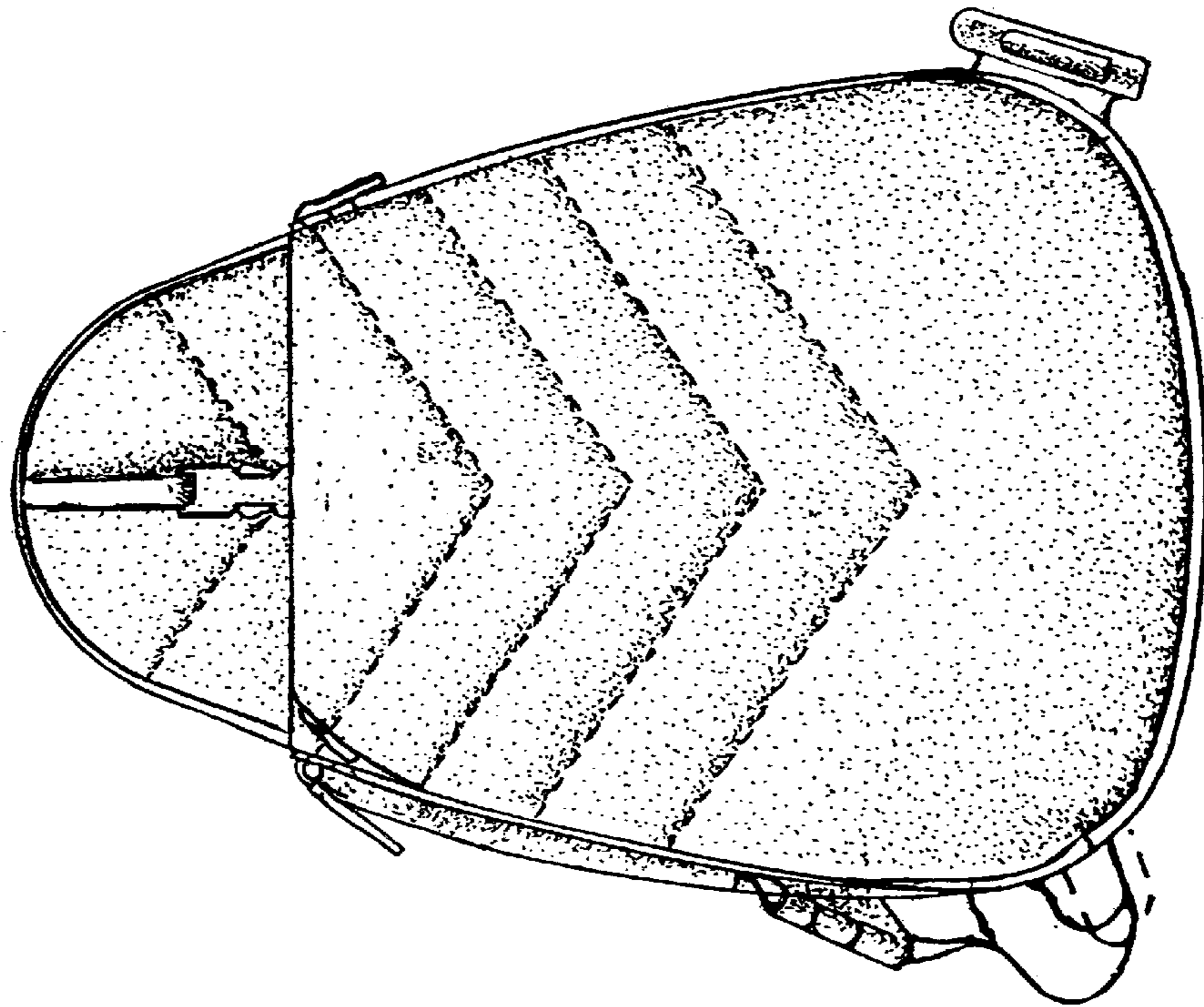


FIG. 4

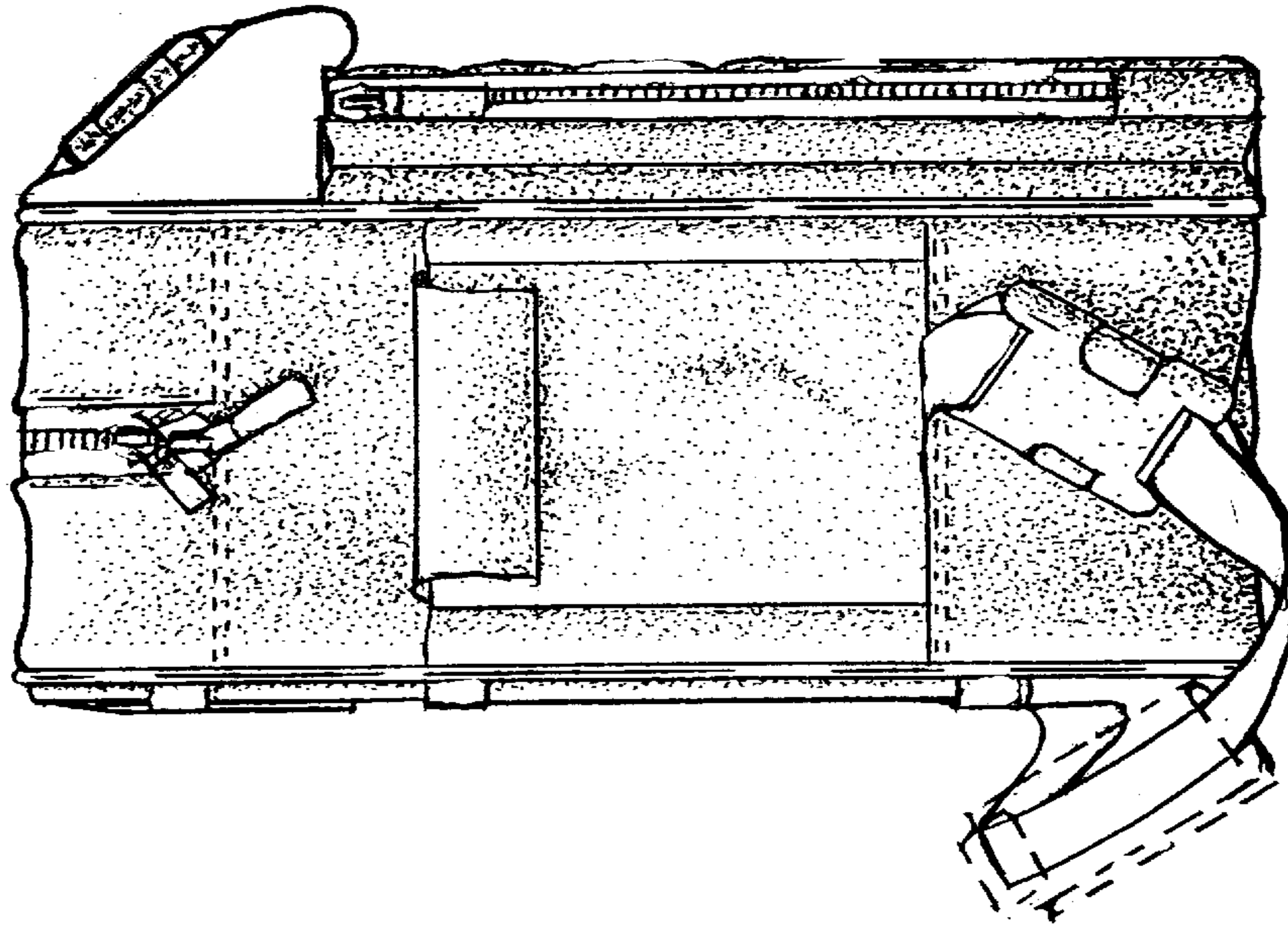


FIG-7

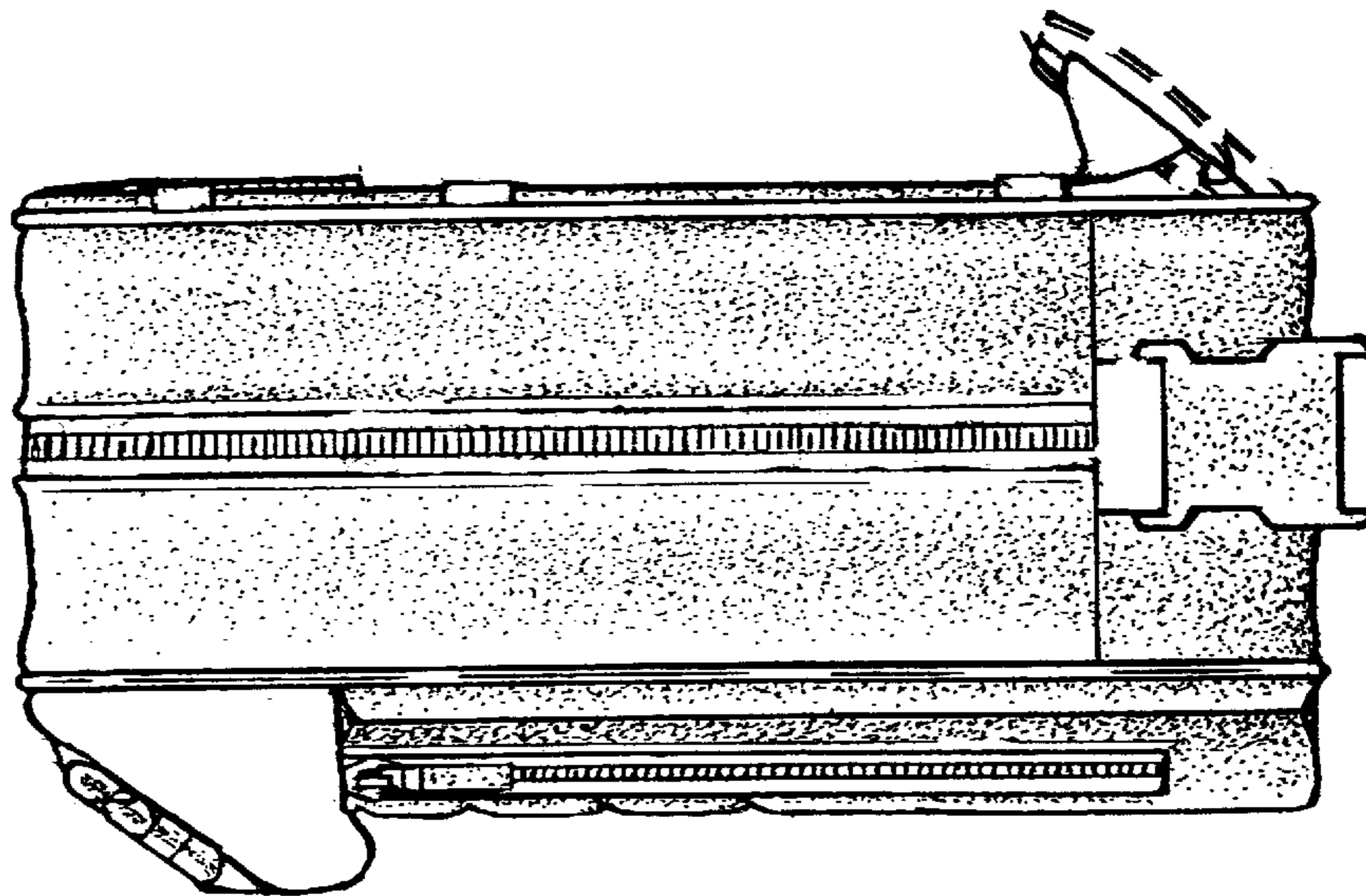


FIG-6