



US00D501989S

(12) **United States Design Patent** (10) **Patent No.:** **US D501,989 S**  
**Cook et al.** (45) **Date of Patent:** **\*\* Feb. 22, 2005**

(54) **FLASHLIGHT HOLDER CLIP**

(75) Inventors: **Clifton L. Cook**, Boise, ID (US);  
**Thomas M. Gregory**, Belgrade, MT  
(US); **Robert A. Kincaid**, Bozeman,  
MT (US); **Eric M. Yeates**, Boise, ID  
(US)

(73) Assignee: **Blackhawk Industries Product Group  
Unlimited LLC**, Norfolk, VA (US)

(\*\*) Term: **14 Years**

(21) Appl. No.: **29/199,040**

(22) Filed: **Feb. 9, 2004**

(51) **LOC (7) Cl.** ..... **03-01**

(52) **U.S. Cl.** ..... **D3/215**

(58) **Field of Search** ..... D3/229, 228, 215,  
D3/207-212; D26/38-39; 24/3.6; 70/456 R,  
456 B; 224/901, 904, 240, 241, 245, 666

(56) **References Cited**

**U.S. PATENT DOCUMENTS**

D374,769 S	*	10/1996	Case	.....	D3/229
D374,770 S	*	10/1996	Case	.....	D3/229
D381,805 S	*	8/1997	Case	.....	D3/229
D433,563 S	*	11/2000	Capanna et al.	.....	D3/215
D479,907 S	*	9/2003	Ruiz	.....	D3/215

\* cited by examiner

*Primary Examiner*—Catherine R. Oliver

(74) *Attorney, Agent, or Firm*—Bowman Green Hampton  
& Kelly PLLC

(57) **CLAIM**

The ornamental design for a flashlight holder clip, as shown  
and described.

**DESCRIPTION**

FIG. 1 is a front perspective view of a flashlight holder clip  
showing our new design;

FIG. 2 is a front side elevation view of our flashlight holder  
clip of FIG. 1;

FIG. 3 is a rear side elevation view of our flashlight holder  
clip of FIG. 1;

FIG. 4 is a left side elevation view of our flashlight holder  
clip of FIG. 1;

FIG. 5 is a top plan view of our flashlight holder clip of FIG.  
1;

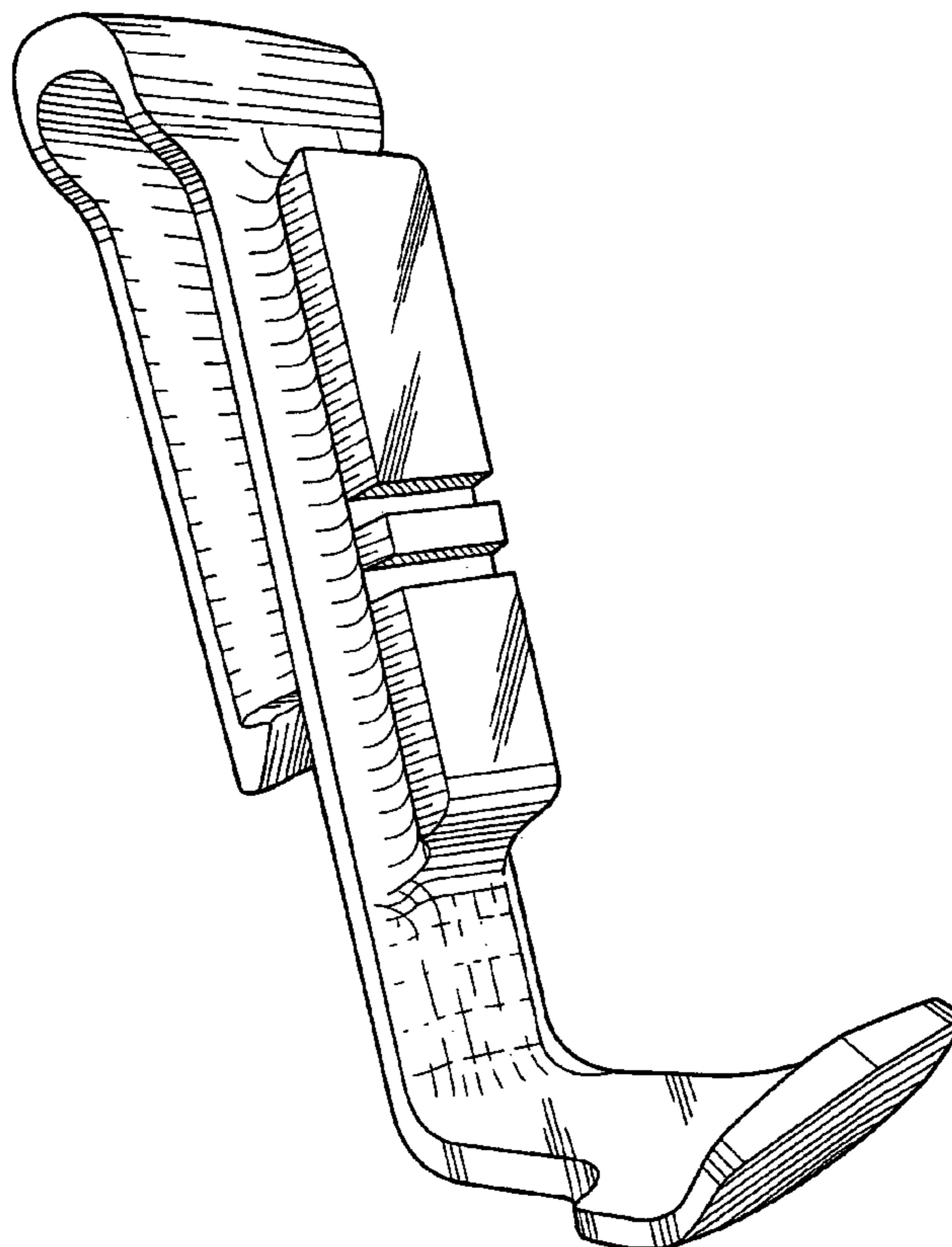
FIG. 6 is a bottom plan view of our flashlight holder clip of  
FIG. 1;

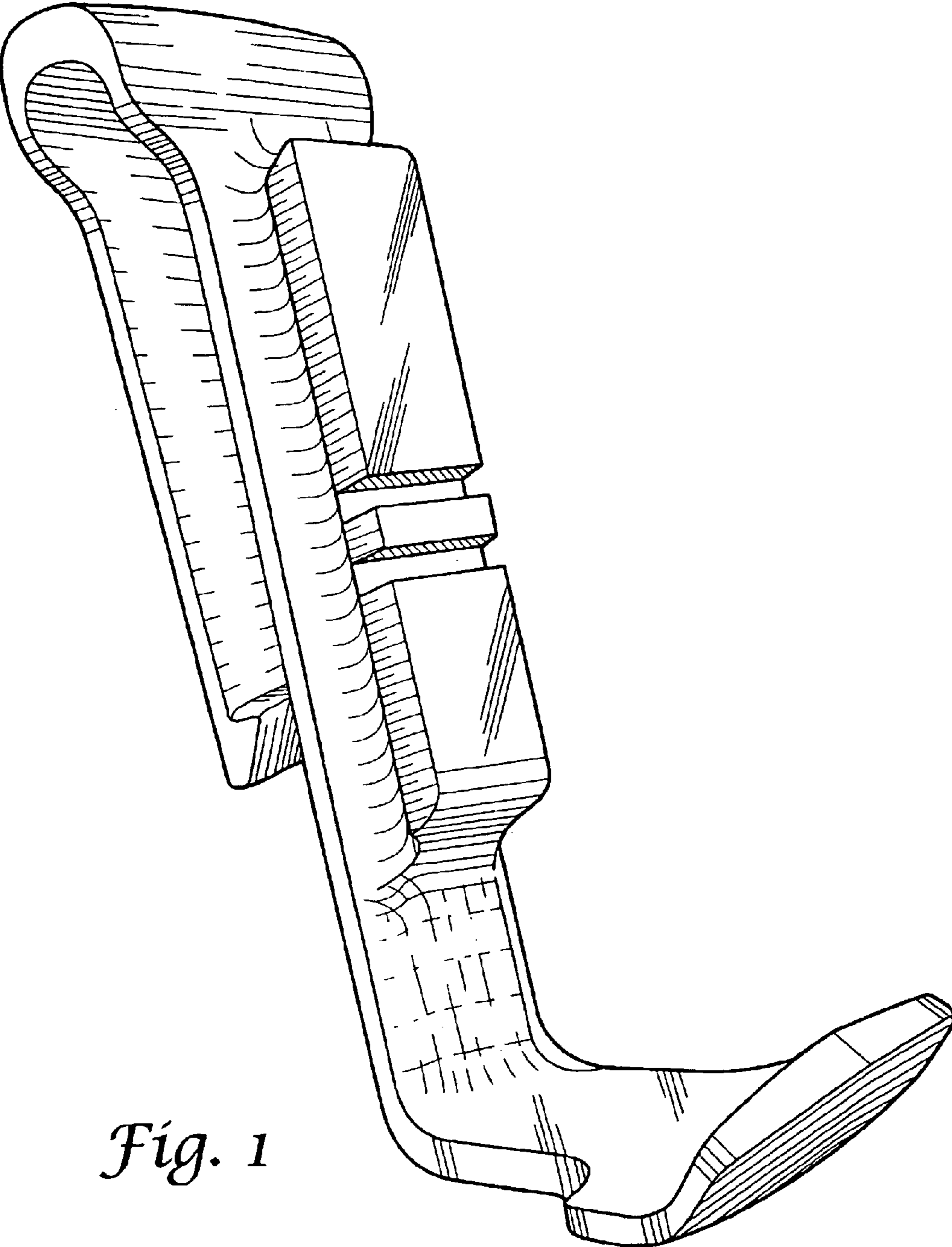
FIG. 7 is a front side elevation view of our flashlight holder  
clip of FIG. 1, it being understood that the broken line  
disclosure of a flashlight is for illustrative purposes only and  
forms no part of the claimed design;

FIG. 8 is a top plan view of our flashlight holder clip of FIG.  
7; and,

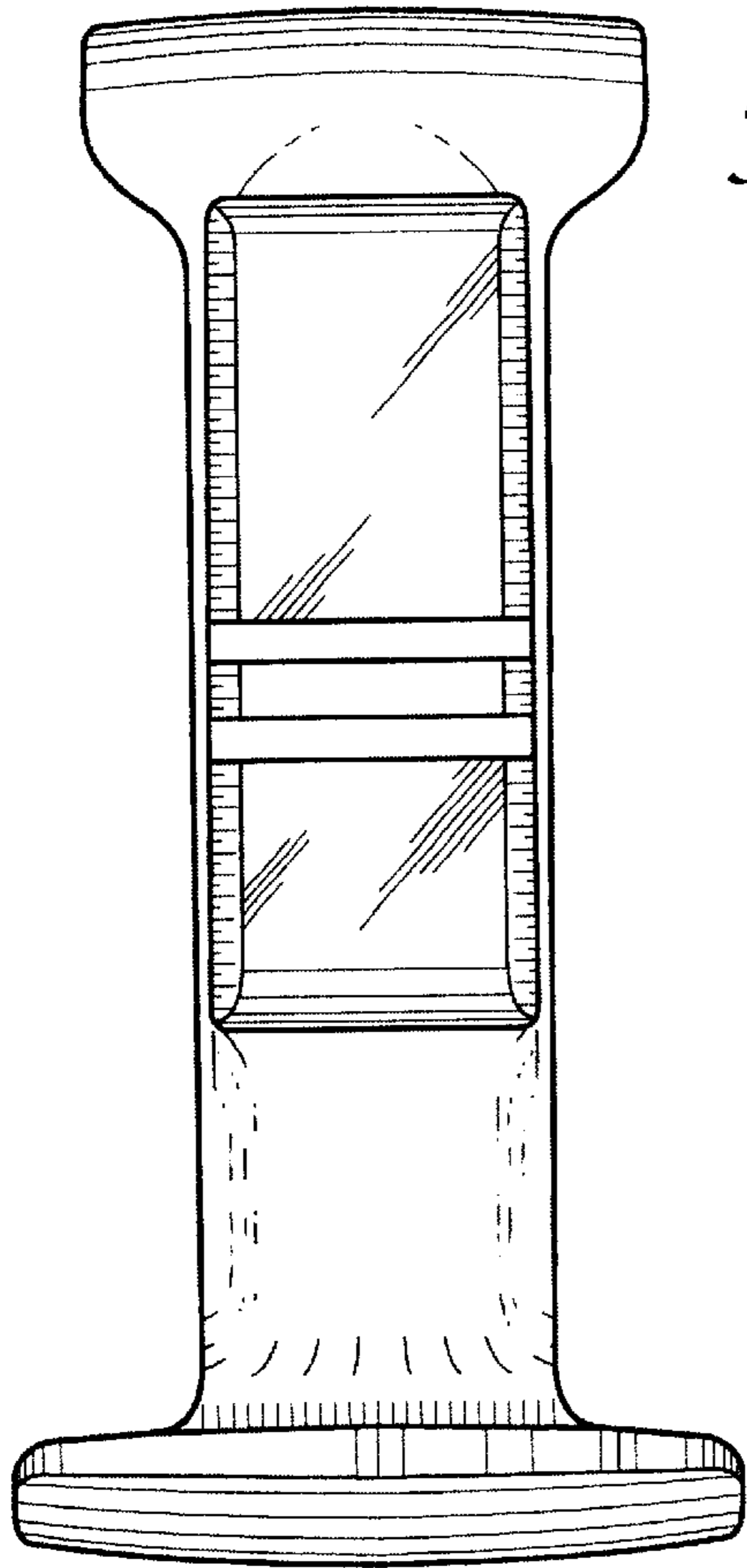
FIG. 9 is a right side elevation view of our flashlight holder  
clip of FIG. 7.

**1 Claim, 4 Drawing Sheets**

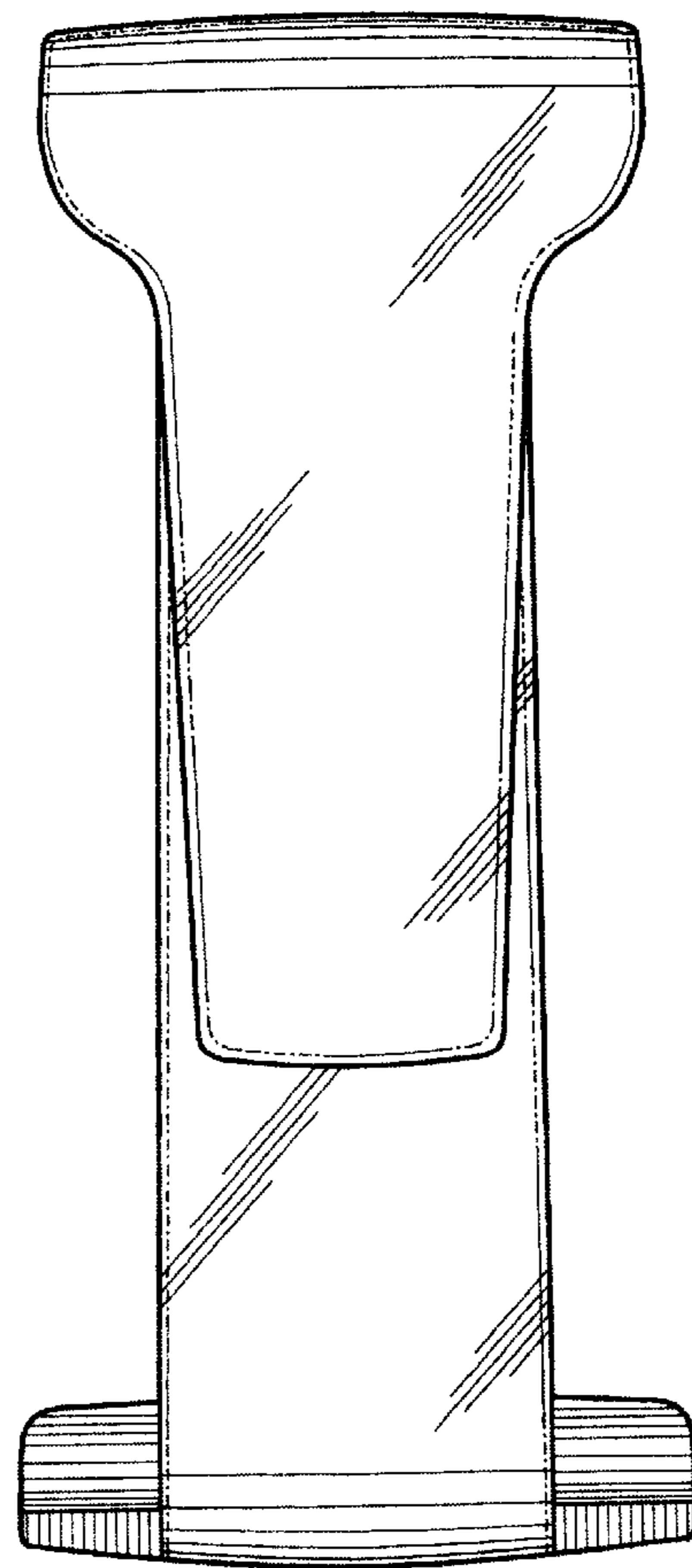




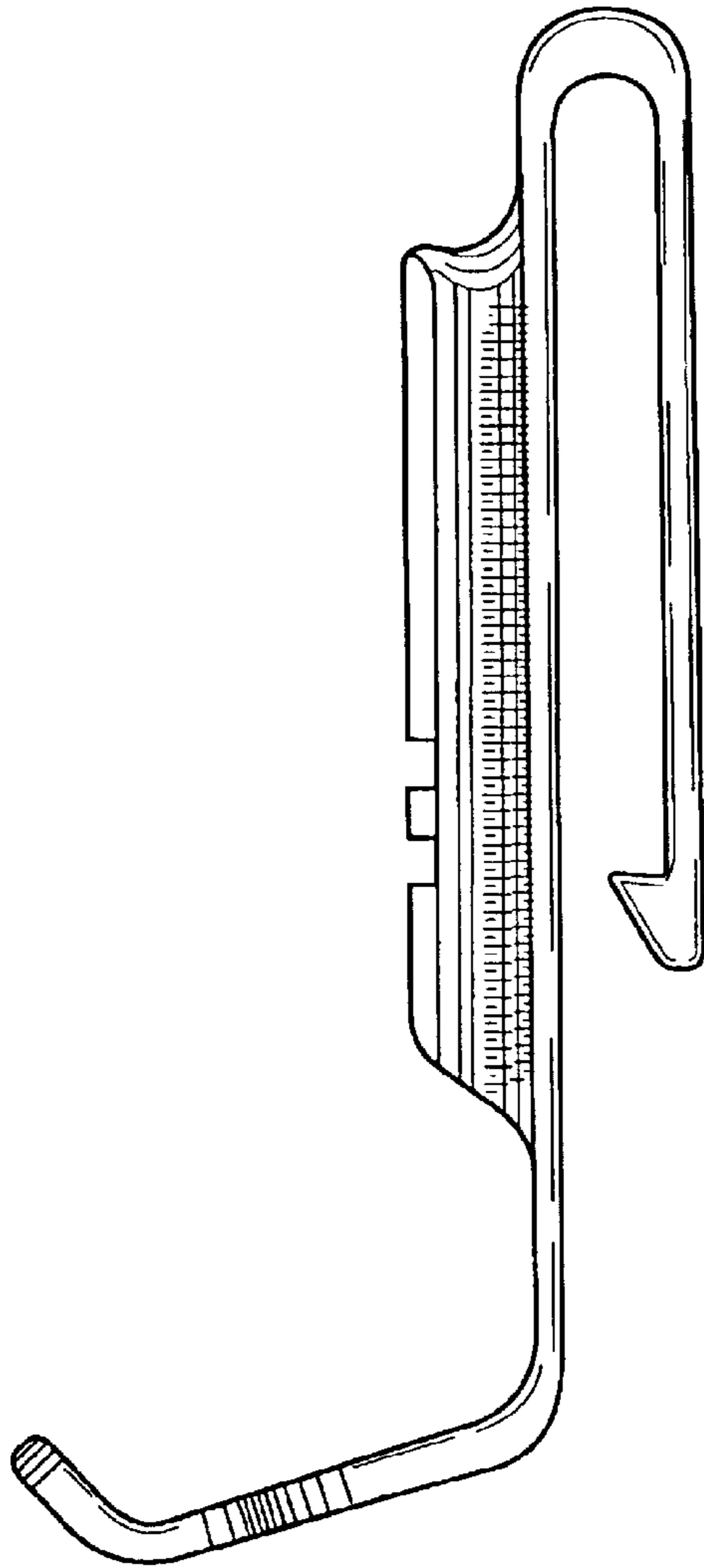
*Fig. 1*



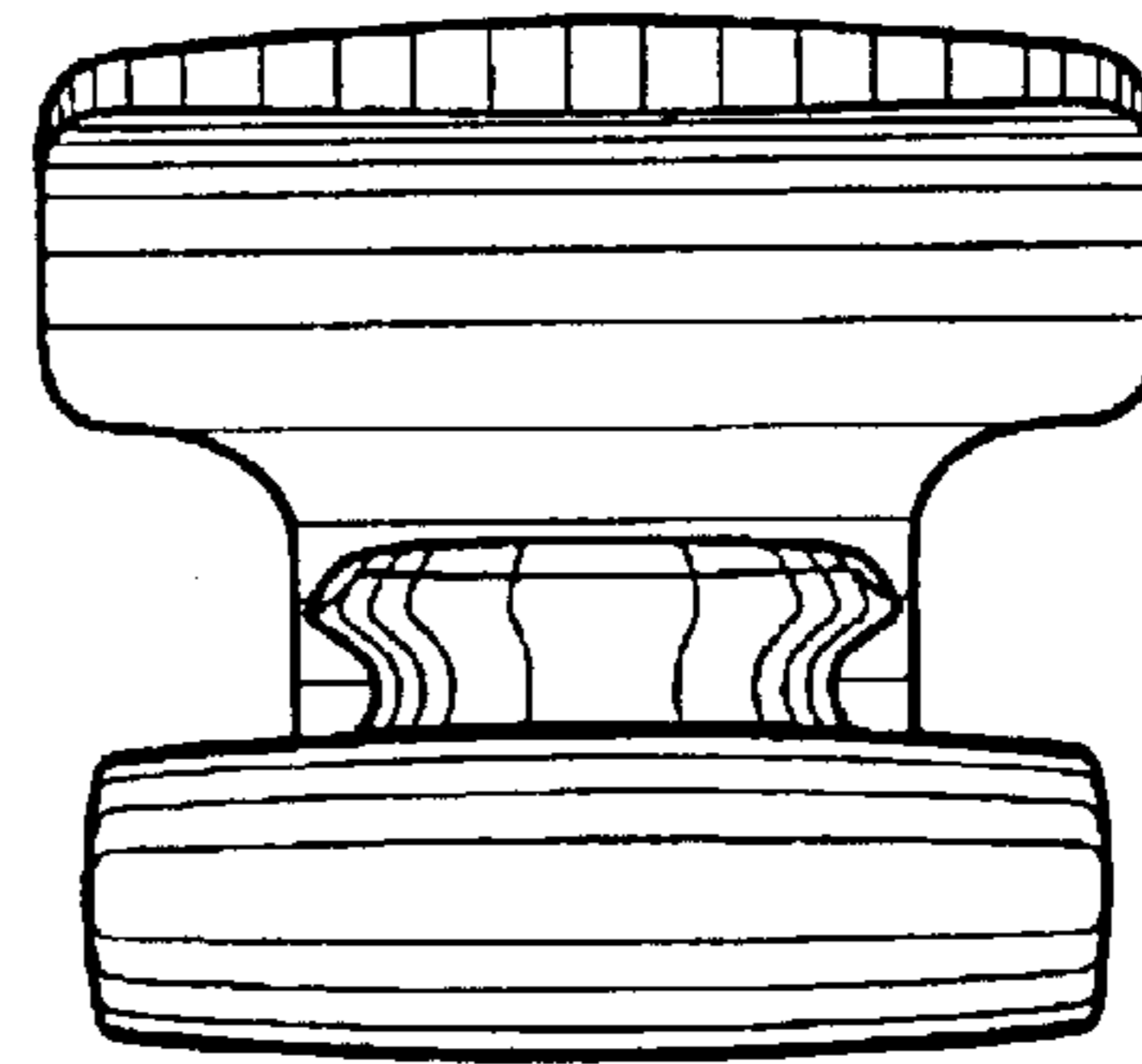
*Fig. 2*



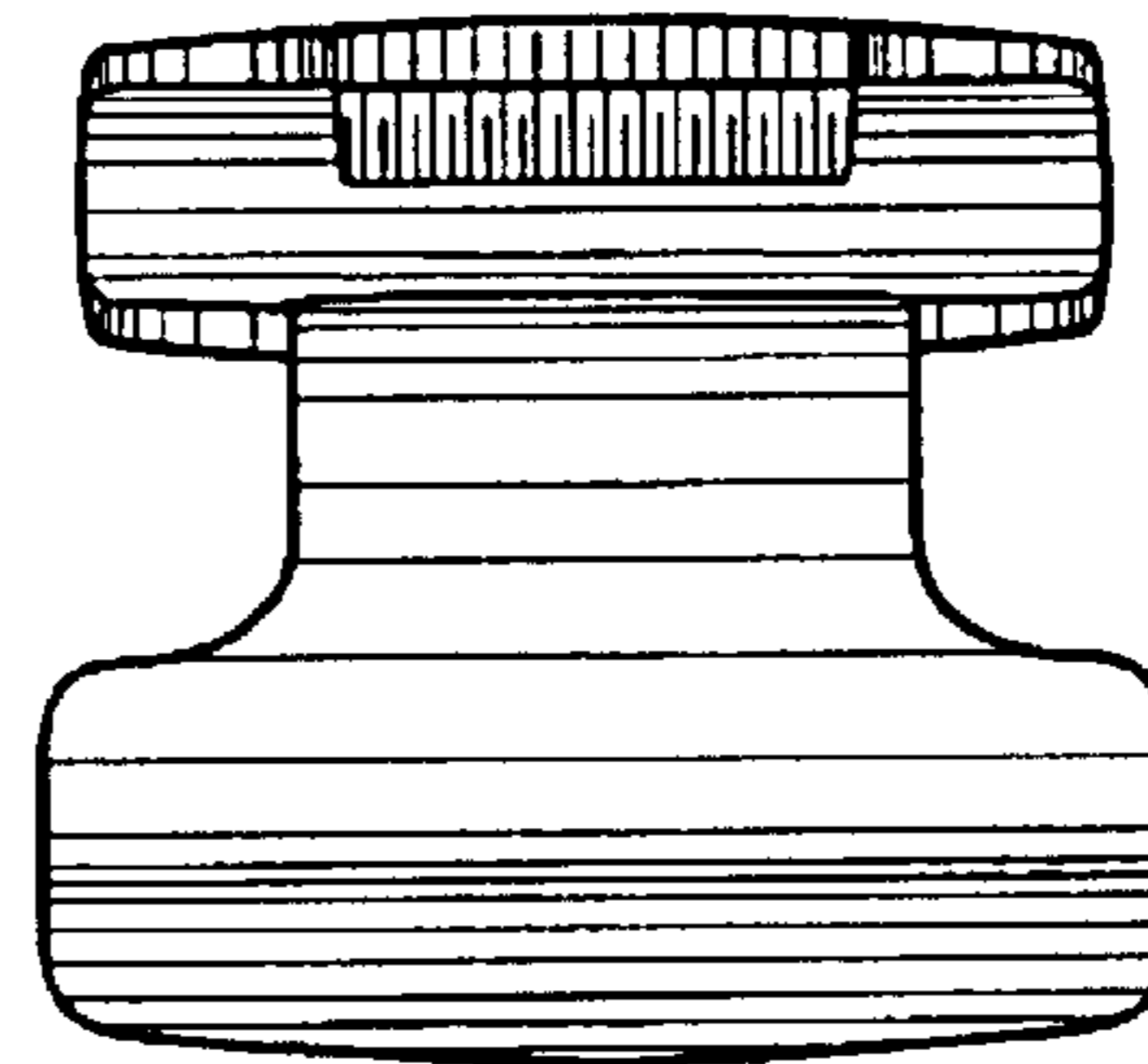
*Fig. 3*



*Fig. 4*

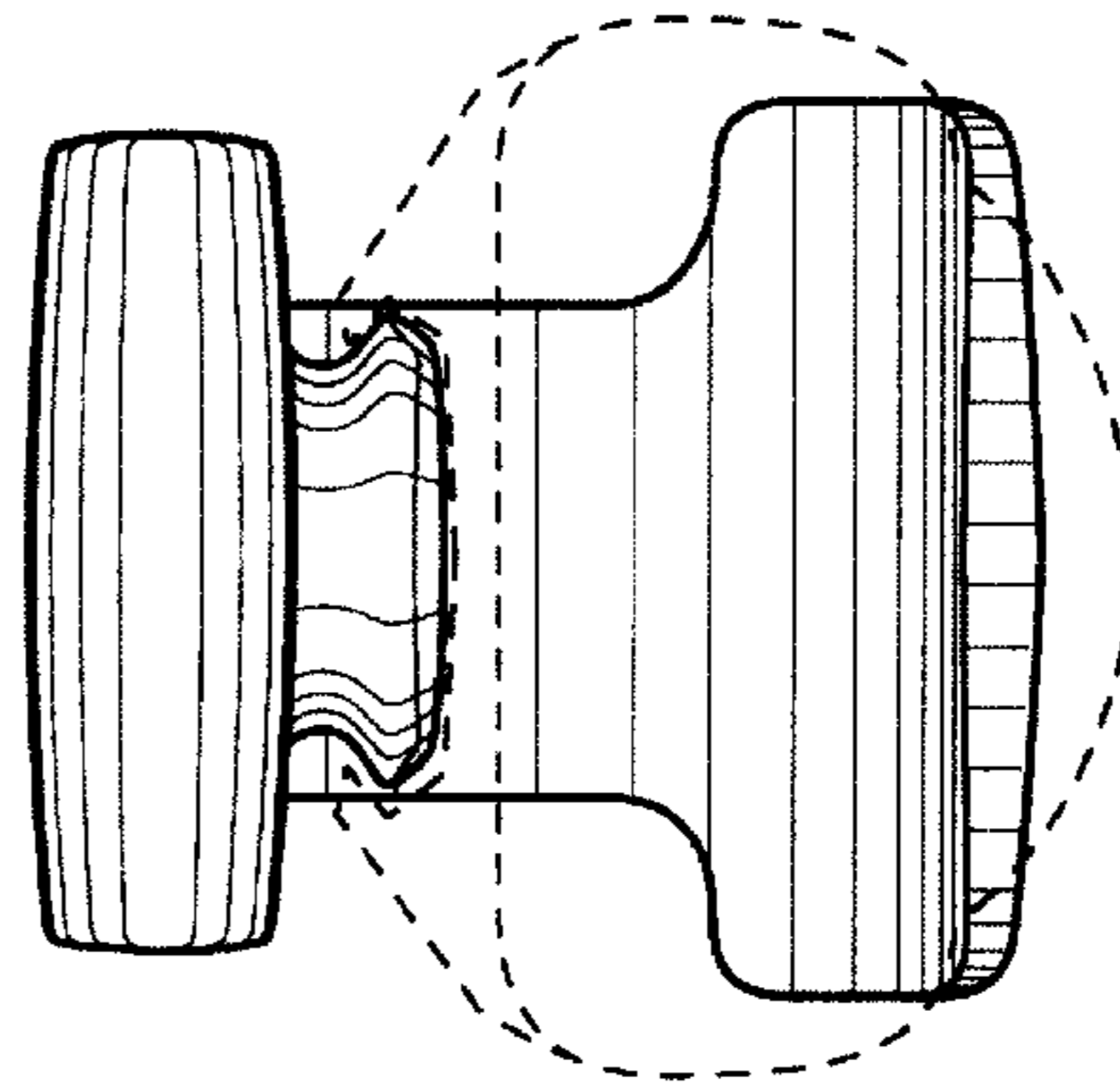


*Fig. 5*

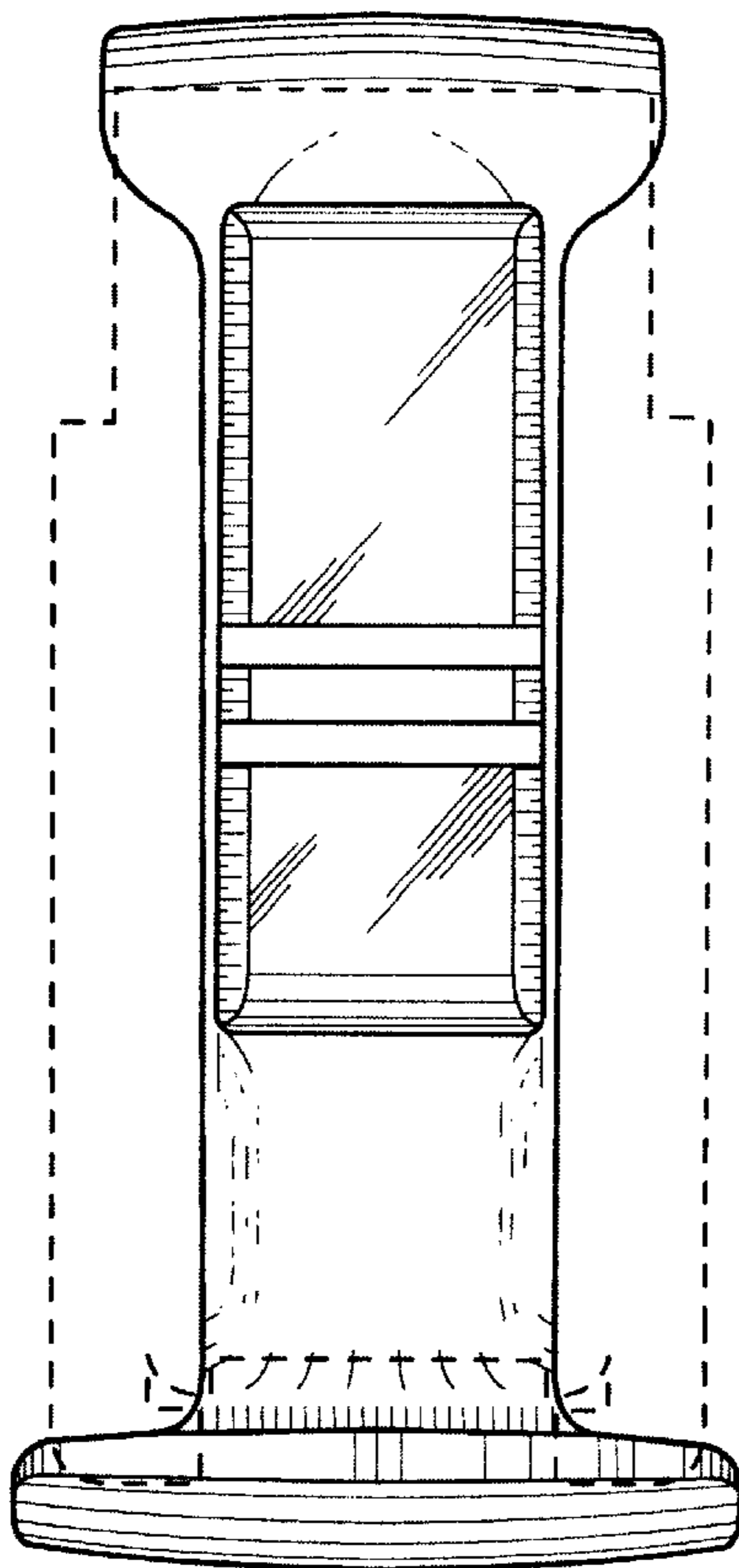


*Fig. 6*

*Fig. 8*



*Fig. 7*



*Fig. 9*

