

US00D501988S

(12) **United States Design Patent**
Andropolis

(10) **Patent No.:** **US D501,988 S**

(45) **Date of Patent:** **** Feb. 22, 2005**

(54) **TAPE RING AND ROLL**

(75) **Inventor:** **Tobias J. Andropolis**, Appleton, WI (US)

(73) **Assignee:** **Andropolis Painting LLC**, Appleton, WI (US)

(**) **Term:** **14 Years**

(21) **Appl. No.:** **29/186,902**

(22) **Filed:** **Jul. 24, 2003**

Related U.S. Application Data

(63) Continuation-in-part of application No. 29/163,356, filed on Jul. 3, 2002, now abandoned.

(51) **LOC (7) Cl.** **03-01**

(52) **U.S. Cl.** **D3/215**

(58) **Field of Search** D3/207-215, 228, D3/224; 224/268, 242, 240, 245, 904, 901, 674, 666

(56) **References Cited**

U.S. PATENT DOCUMENTS

482,670 A	9/1892	Ackerman	70/458
932,787 A	8/1909	Kirby	70/458
1,462,205 A	7/1923	Korns	70/458
2,049,610 A	8/1936	Guidry	70/459

D156,228 S	11/1949	Gaudriot	D3/203
4,792,253 A	12/1988	Jacobson	402/20
5,465,596 A	11/1995	Park	70/458
5,687,892 A	* 11/1997	Johns	224/268
D404,155 S	1/1999	Maddox	D26/37
6,199,733 B1	* 3/2001	Reynolds, III	224/269
D443,135 S	* 6/2001	Marks et al.	D3/228
6,336,578 B1	* 1/2002	Maynard	224/248

* cited by examiner

Primary Examiner—Catherine R. Oliver

(74) *Attorney, Agent, or Firm*—Donald Cayden

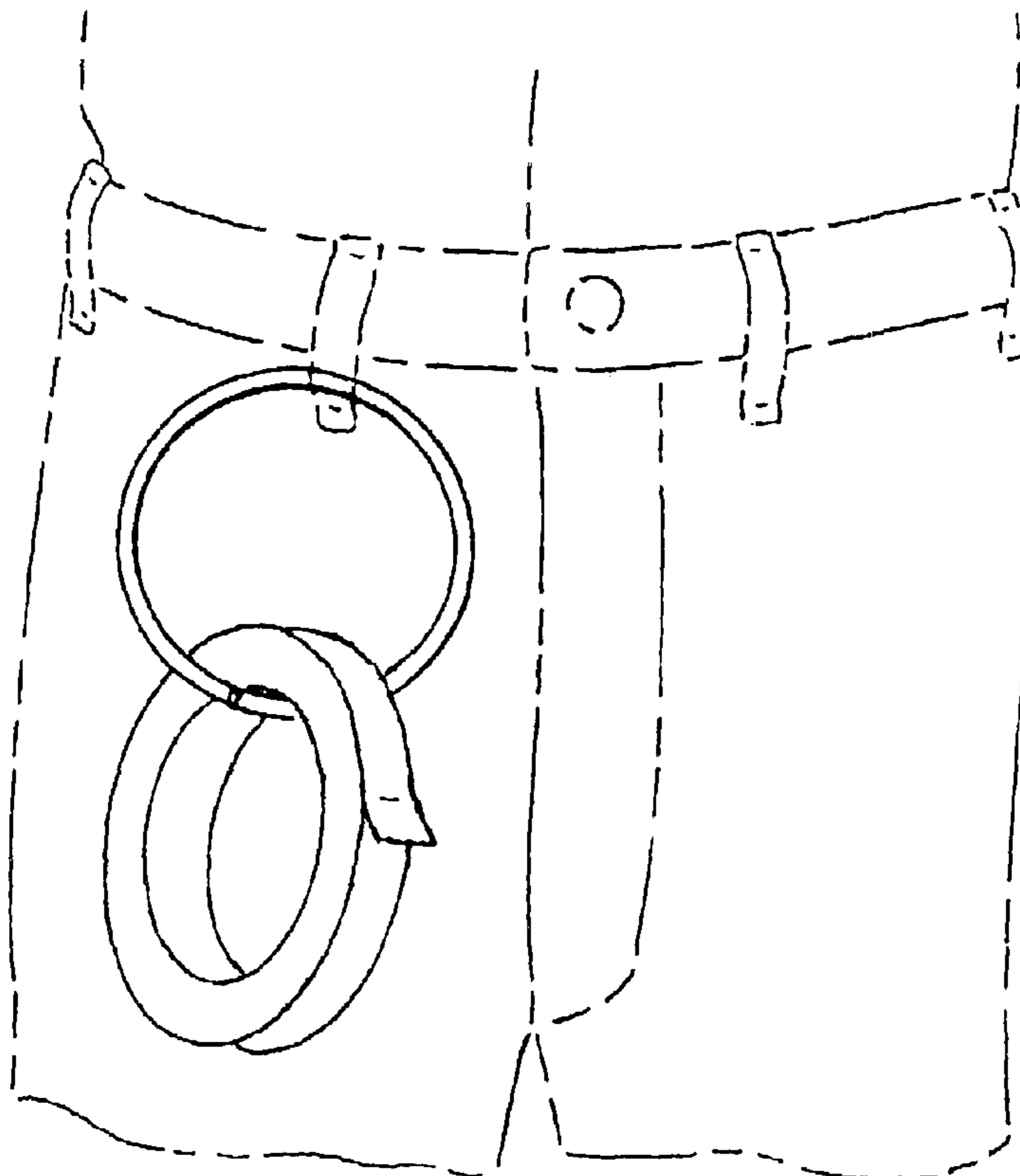
(57) **CLAIM**

The ornamental design for a tape ring and roll, as shown and described.

DESCRIPTION

FIG. 1 is a front perspective view of a tape ring and roll showing my new design in its intended environment; FIG. 2 is a front view of the tape ring and roll; FIG. 3 is a side view of thereof; FIG. 4 is a side view showing the tape roll between the ends of the tape ring; FIG. 5 is a front view thereof; and, FIG. 6 is a view taken along line 6—6 in FIG. 5. The broken line showing of environment in the drawings is for illustrative purposes only and forms no part of the claimed design.

1 Claim, 4 Drawing Sheets



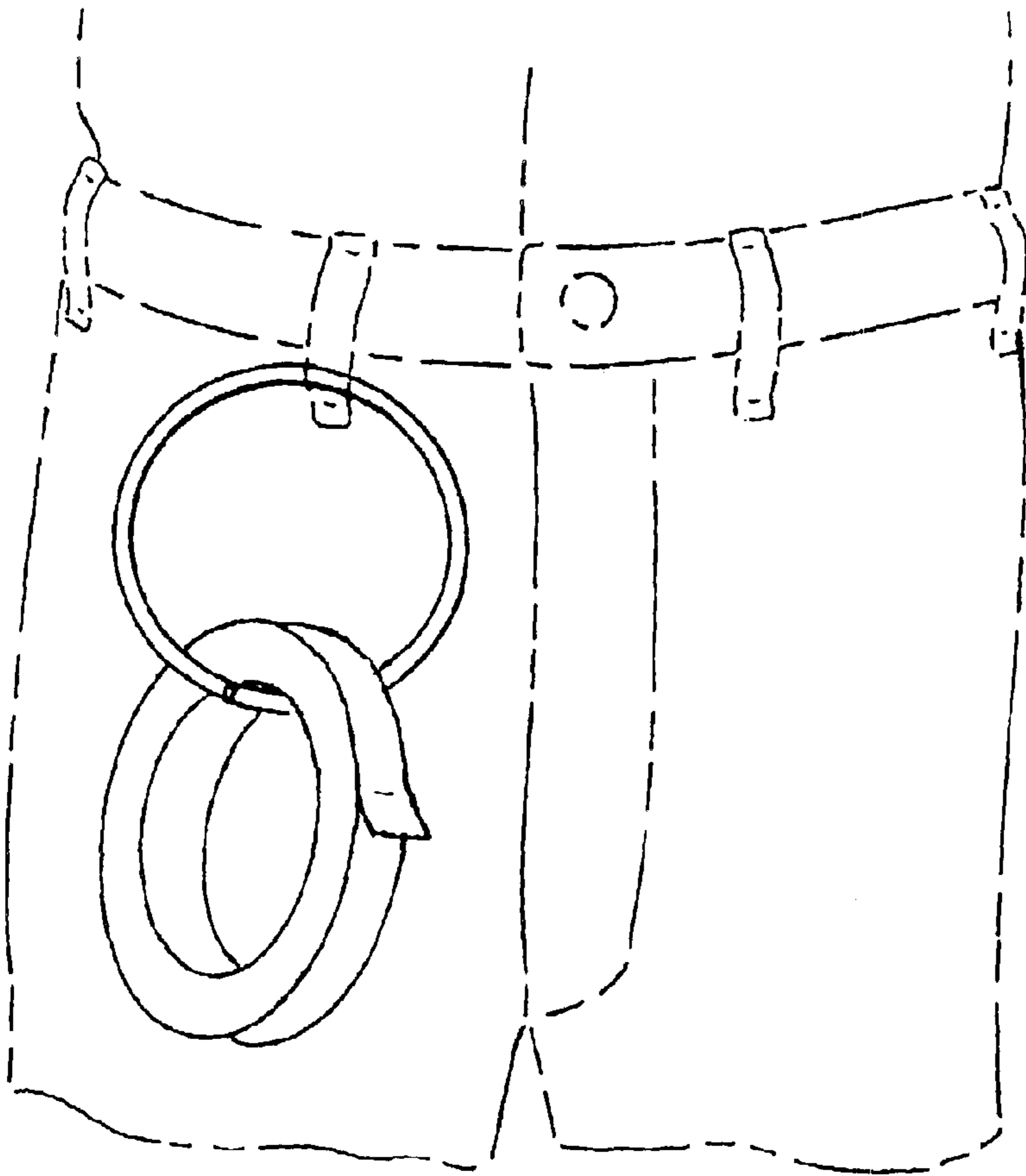
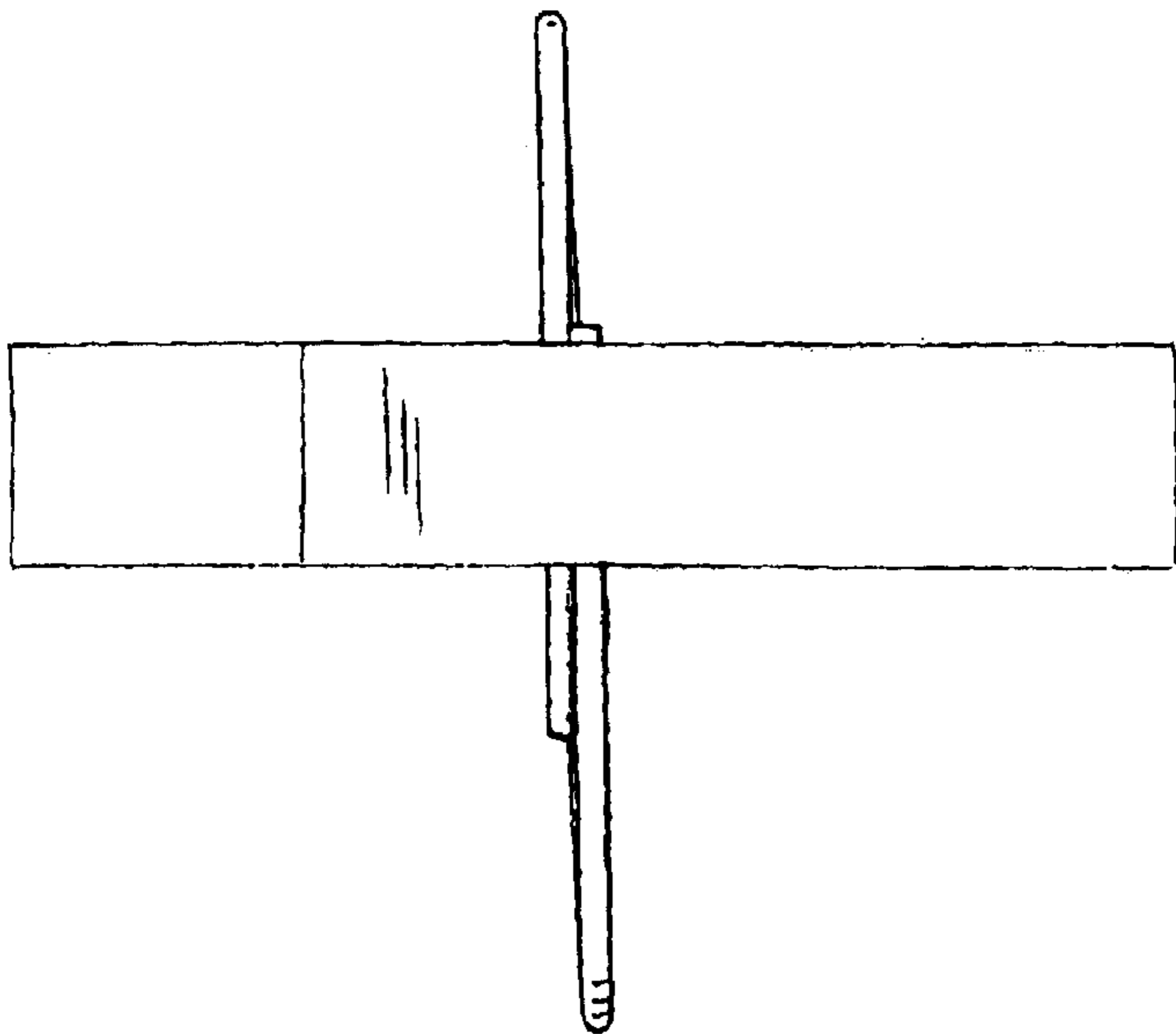
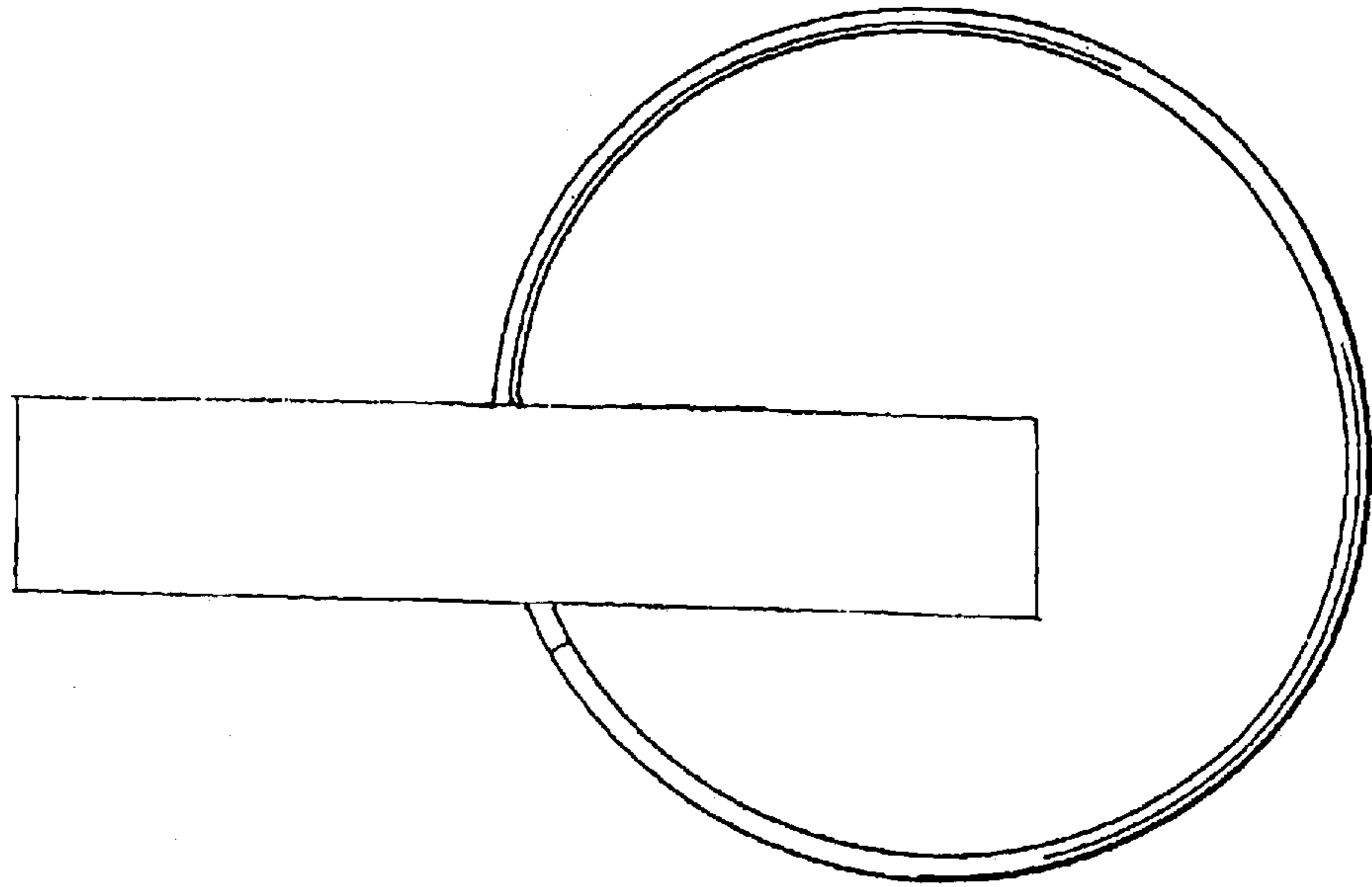


FIG. 1



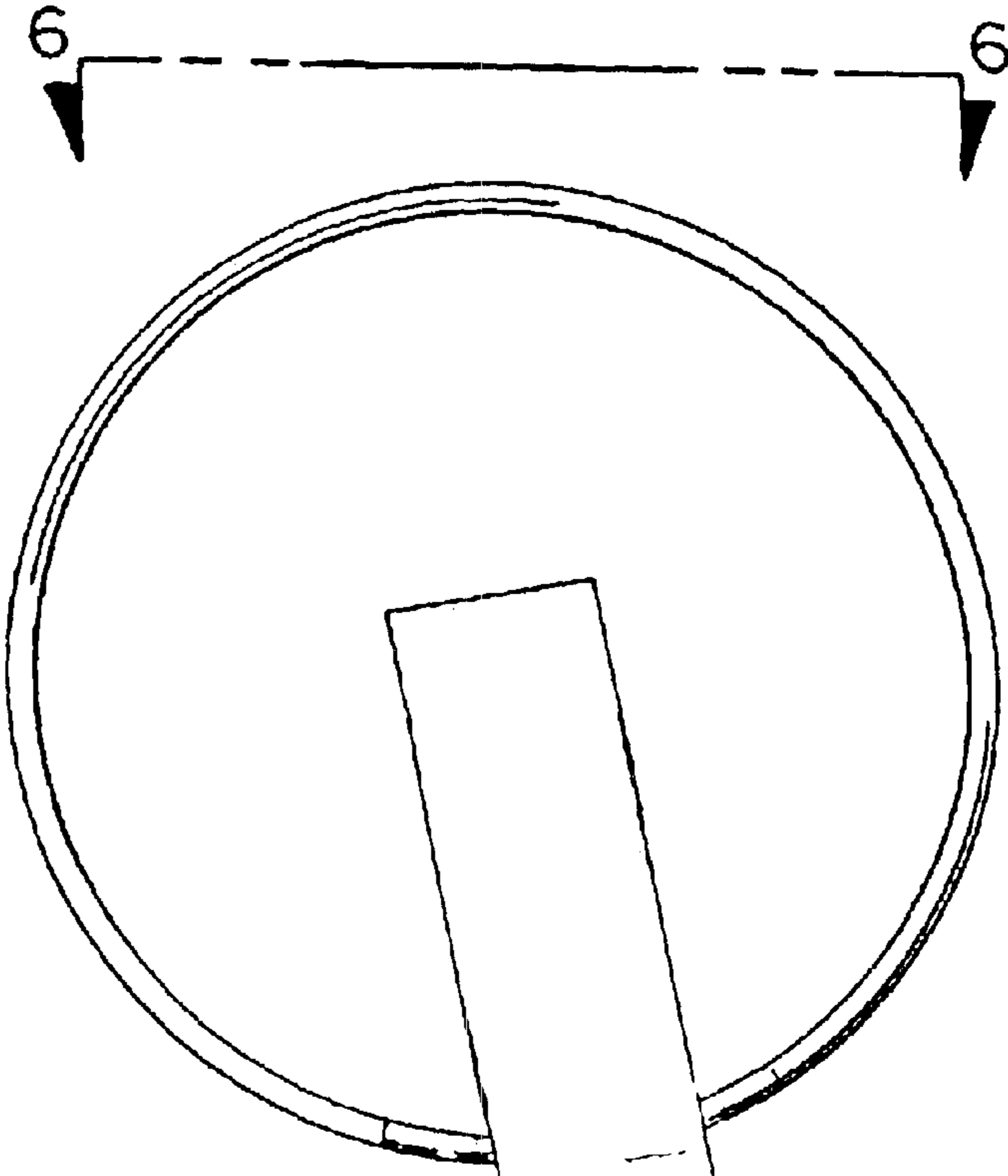


FIG 5

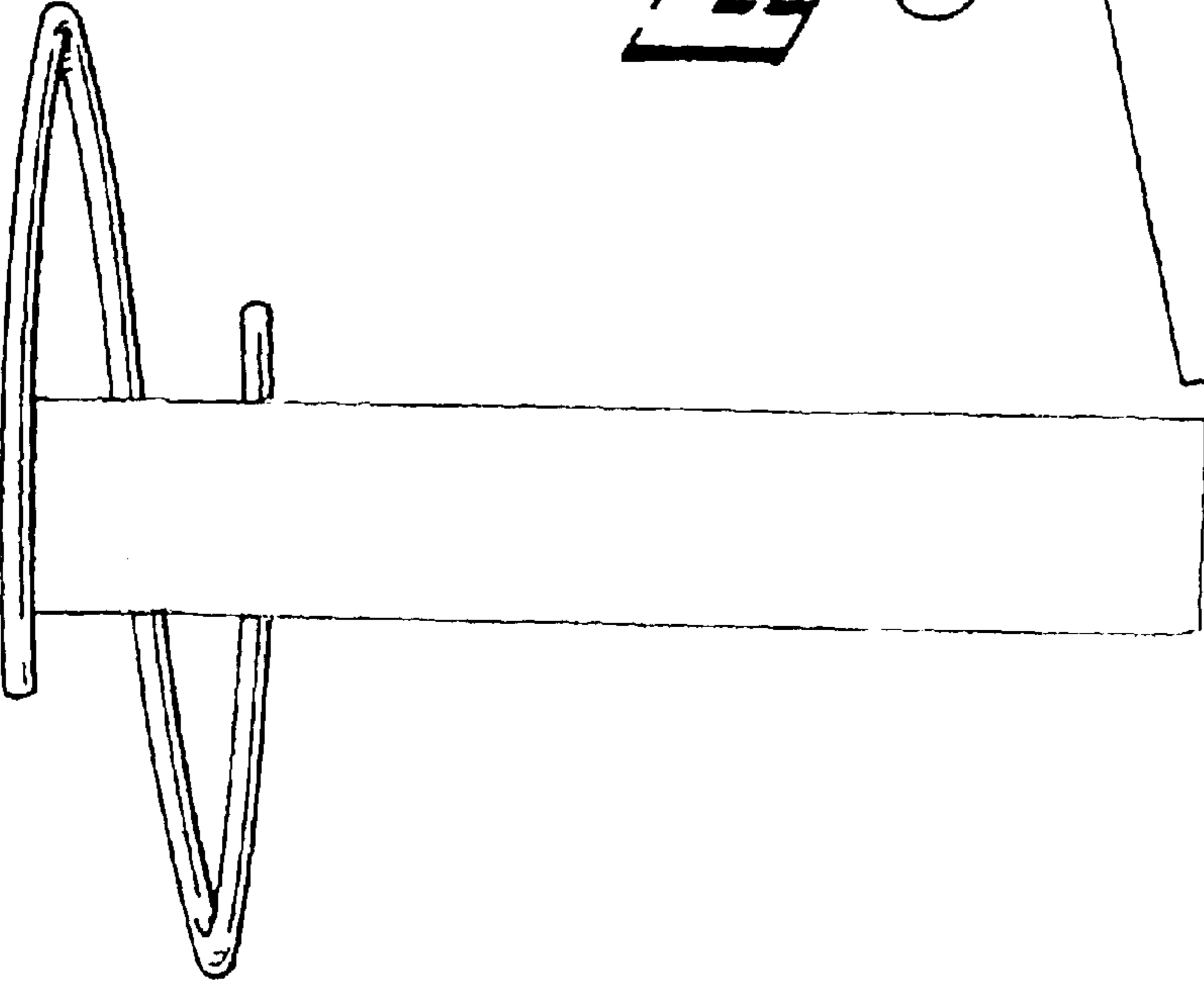


FIG 4

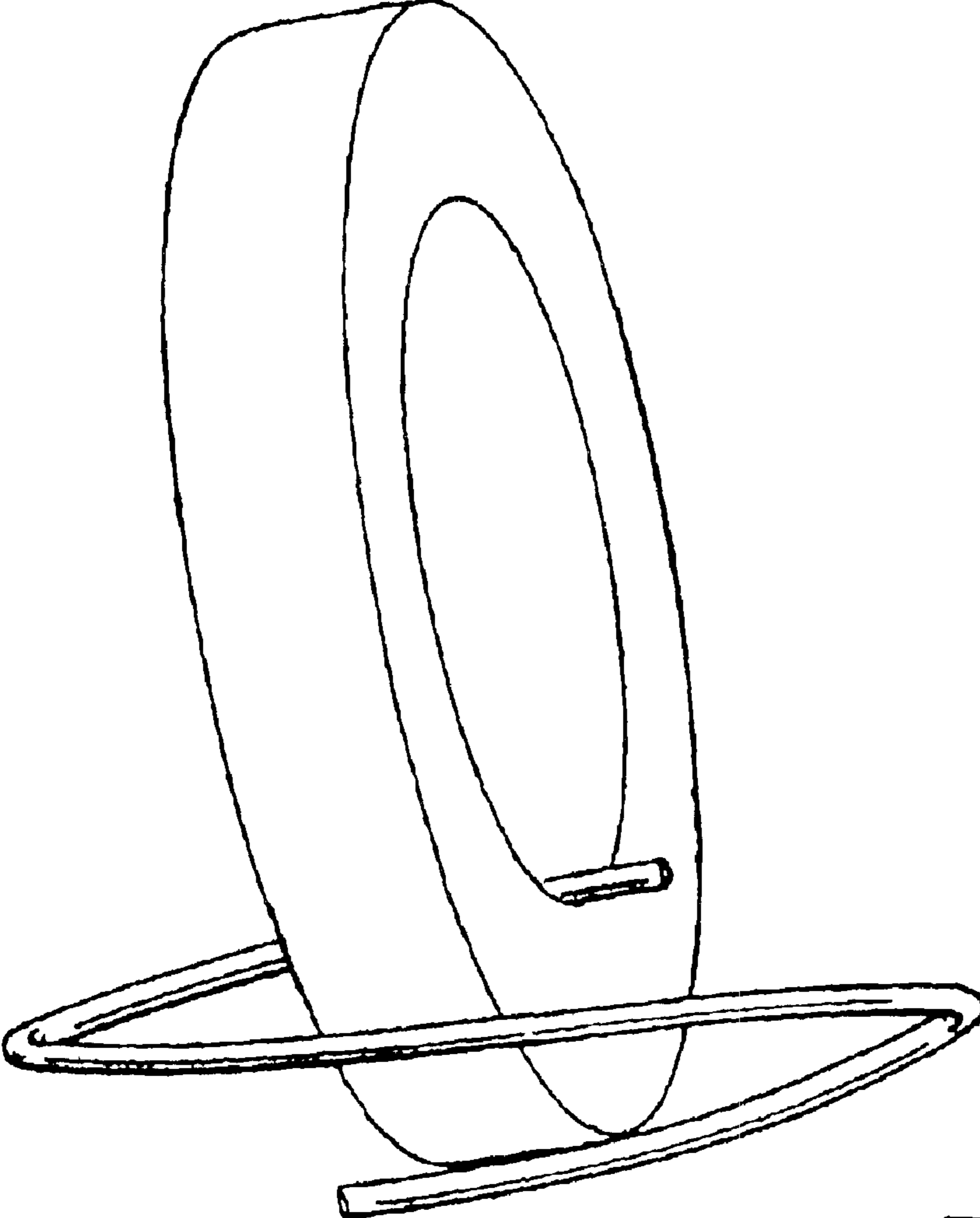


FIG 6