

US00D501975S

(12) **United States Design Patent**
Marsh et al.

(10) **Patent No.: US D501,975 S**
(45) **Date of Patent: ** Feb. 15, 2005**

(54) **WHEEL ASSEMBLY FOR A BOAT TRAILER JACK**

D486,382 S * 2/2004 Sedgwick et al. D8/375

(75) Inventors: **Denise D. Marsh**, Fort Myers, FL (US); **Justin Gould**, Bonita Springs, FL (US)

OTHER PUBLICATIONS
Faultless Catalog, p. 9, caster item No. K421-5RB-21 located at top of page, Jan. 29, 1986.*

(73) Assignee: **Unified Marine, Inc.**, Naples, FL (US)

* cited by examiner

(**) Term: **14 Years**

Primary Examiner—Holly Baynham
(74) *Attorney, Agent, or Firm*—George R. McGuire; Bond, Schoeneck & King, PLLC

(21) Appl. No.: **29/186,177**

(57) **CLAIM**

(22) Filed: **Jul. 9, 2003**

We claim the ornamental design for wheel assembly for a boat trailer jack, as shown and described.

(51) **LOC (7) Cl.** **12-05**

(52) **U.S. Cl.** **D34/35; D8/375**

(58) **Field of Search** D34/31, 35; D8/375; 414/559; 280/414.2; D12/101, 106; 16/18 CG, 45; 114/344

DESCRIPTION

FIG. 1 is a perspective view of a wheel assembly for a boat trailer jack, the portions shown in phantom lines being for environmental purposes and forming no part of the claimed invention;

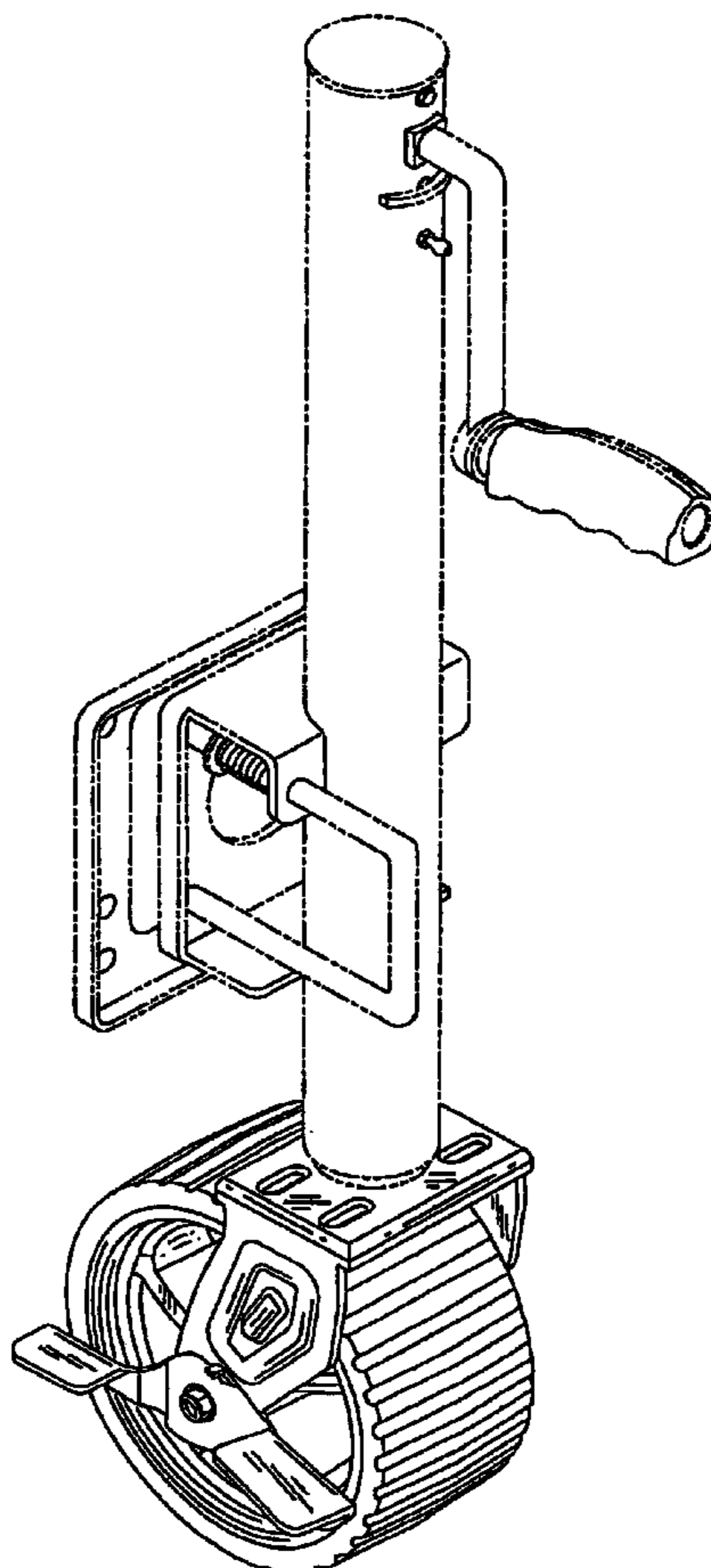
(56) **References Cited**

U.S. PATENT DOCUMENTS

1,397,171	A	*	11/1921	Millet	16/45
1,488,824	A	*	4/1924	Millet	16/45
4,318,196	A	*	3/1982	Eide	114/344
5,016,900	A	*	5/1991	McCully	280/477
5,040,937	A	*	8/1991	Godbersen	414/559
D476,461	S	*	6/2003	Dries	D34/31

FIG. 2 is a left side elevation view of the wheel assembly; FIG. 3 is a rear elevation view thereof; FIG. 4 is a front elevation view thereof; FIG. 5 is a right side elevation view thereof; FIG. 6 is a top plan view thereof; and, FIG. 7 is a bottom plan view thereof.

1 Claim, 2 Drawing Sheets



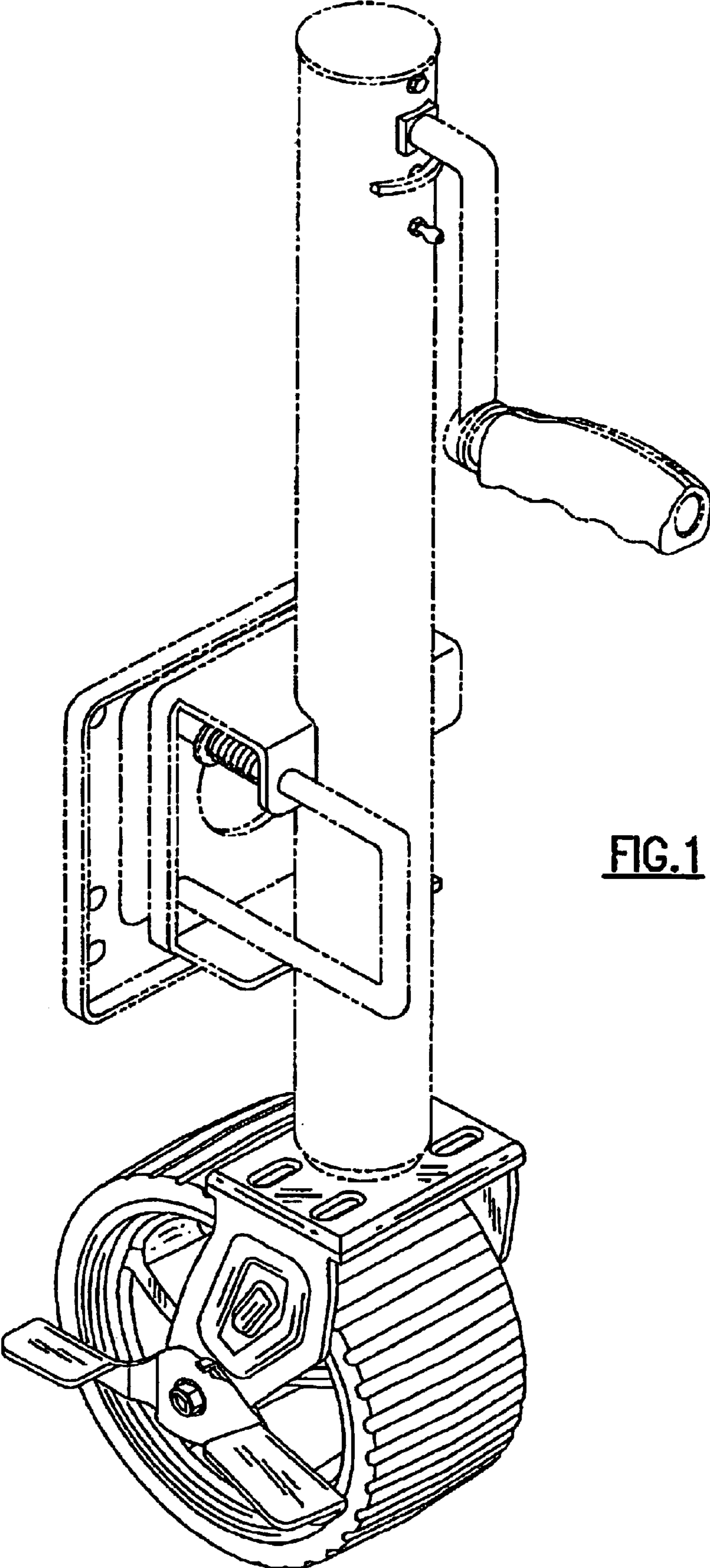


FIG. 1

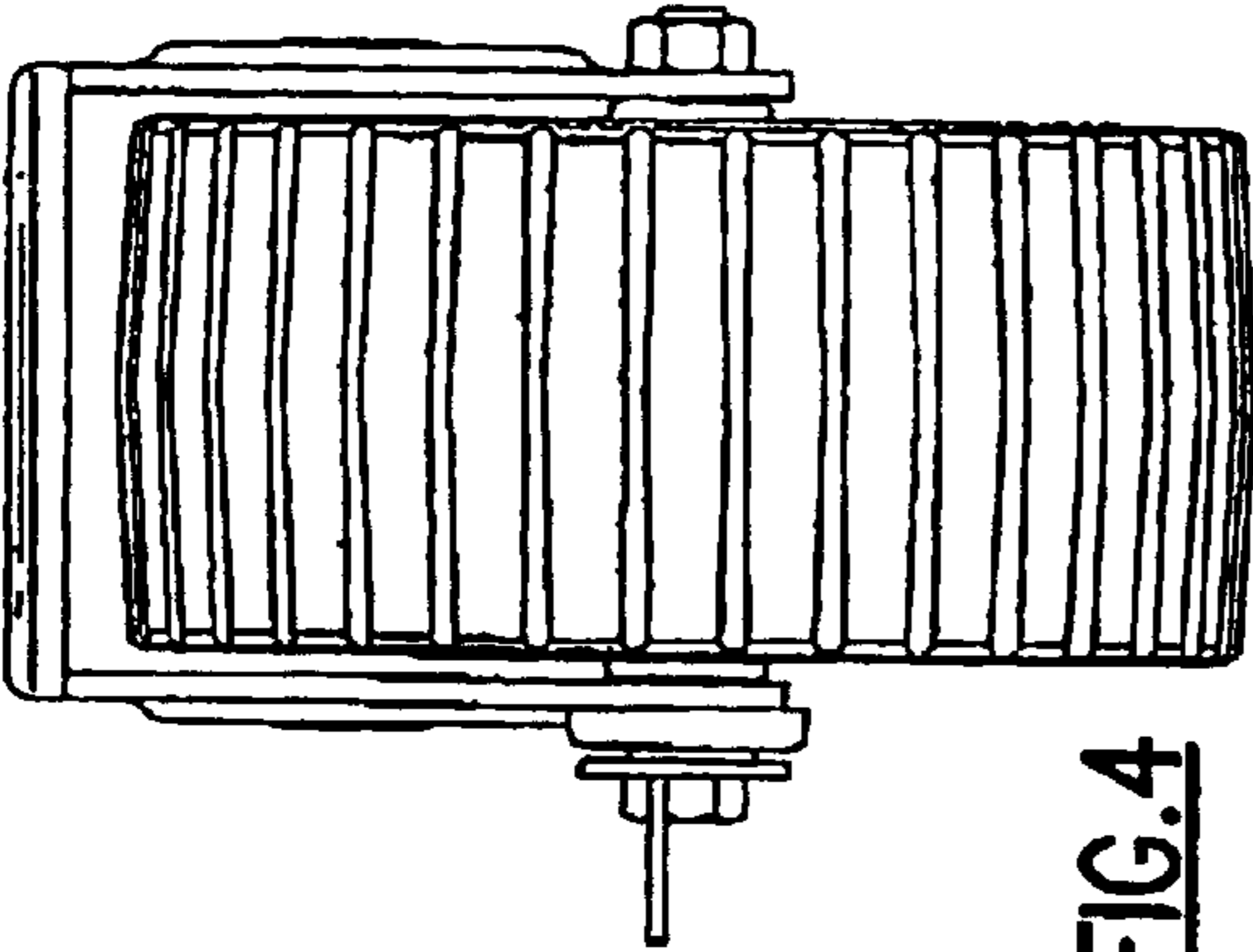


FIG. 4

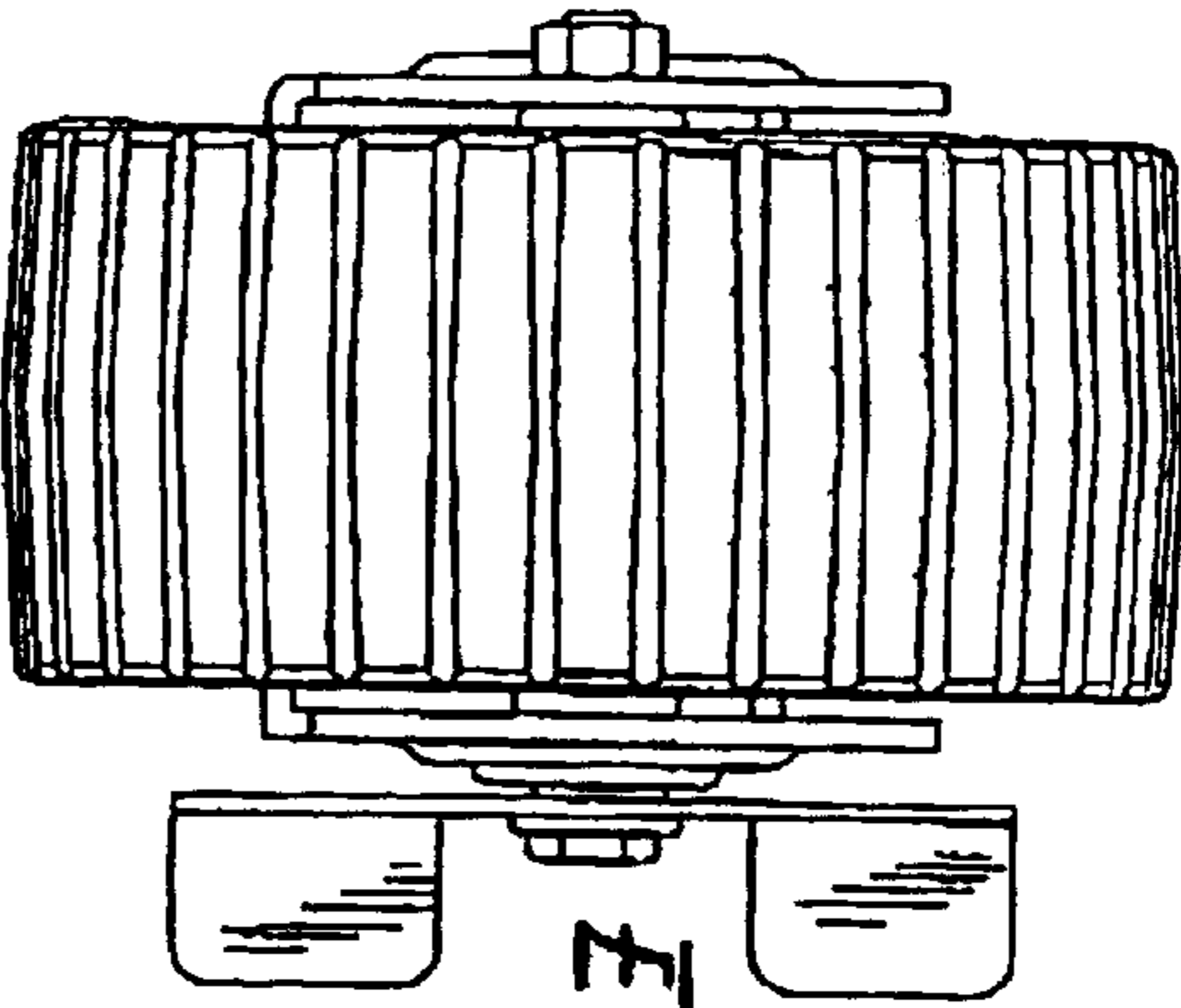


FIG. 7

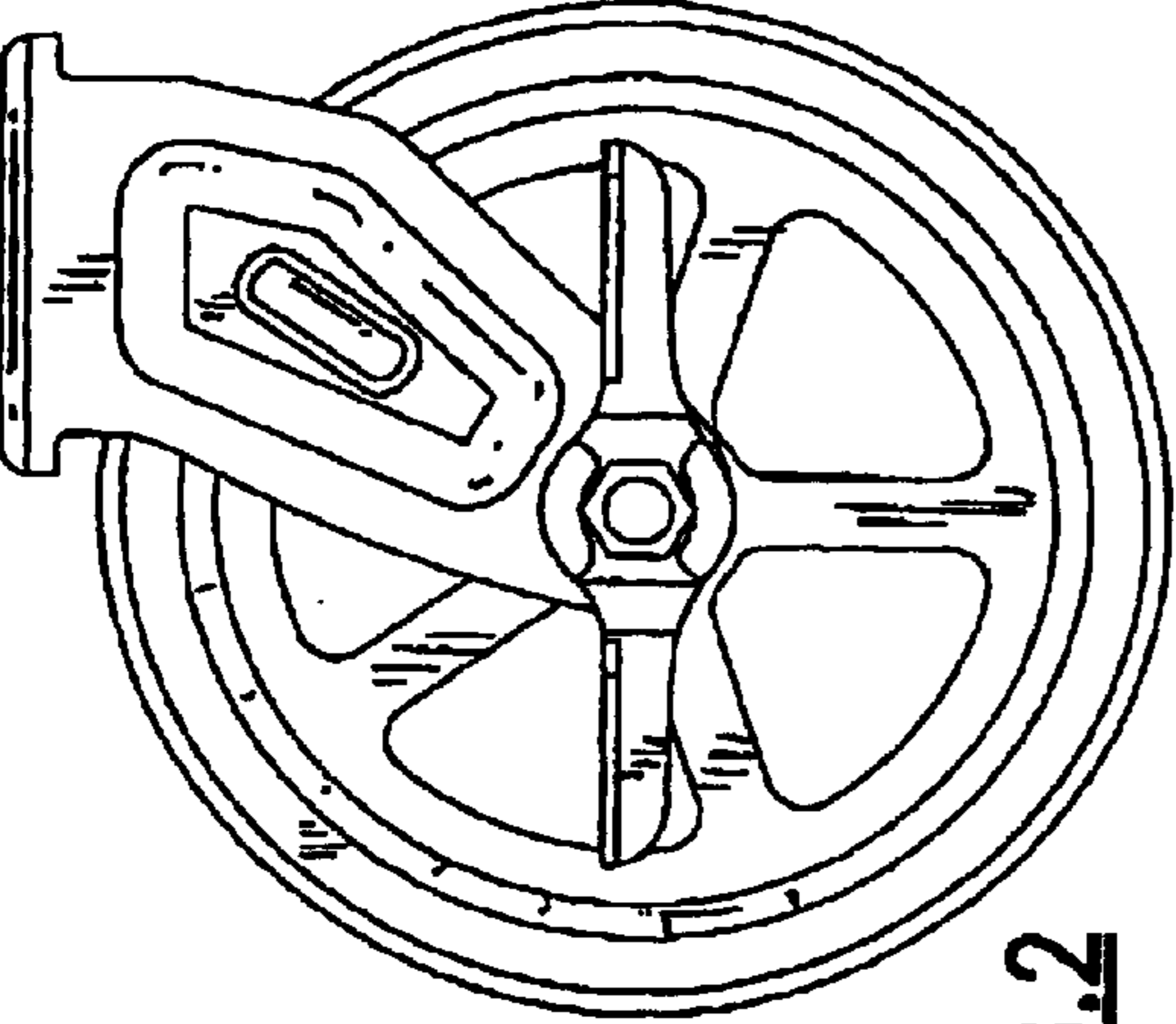


FIG. 2

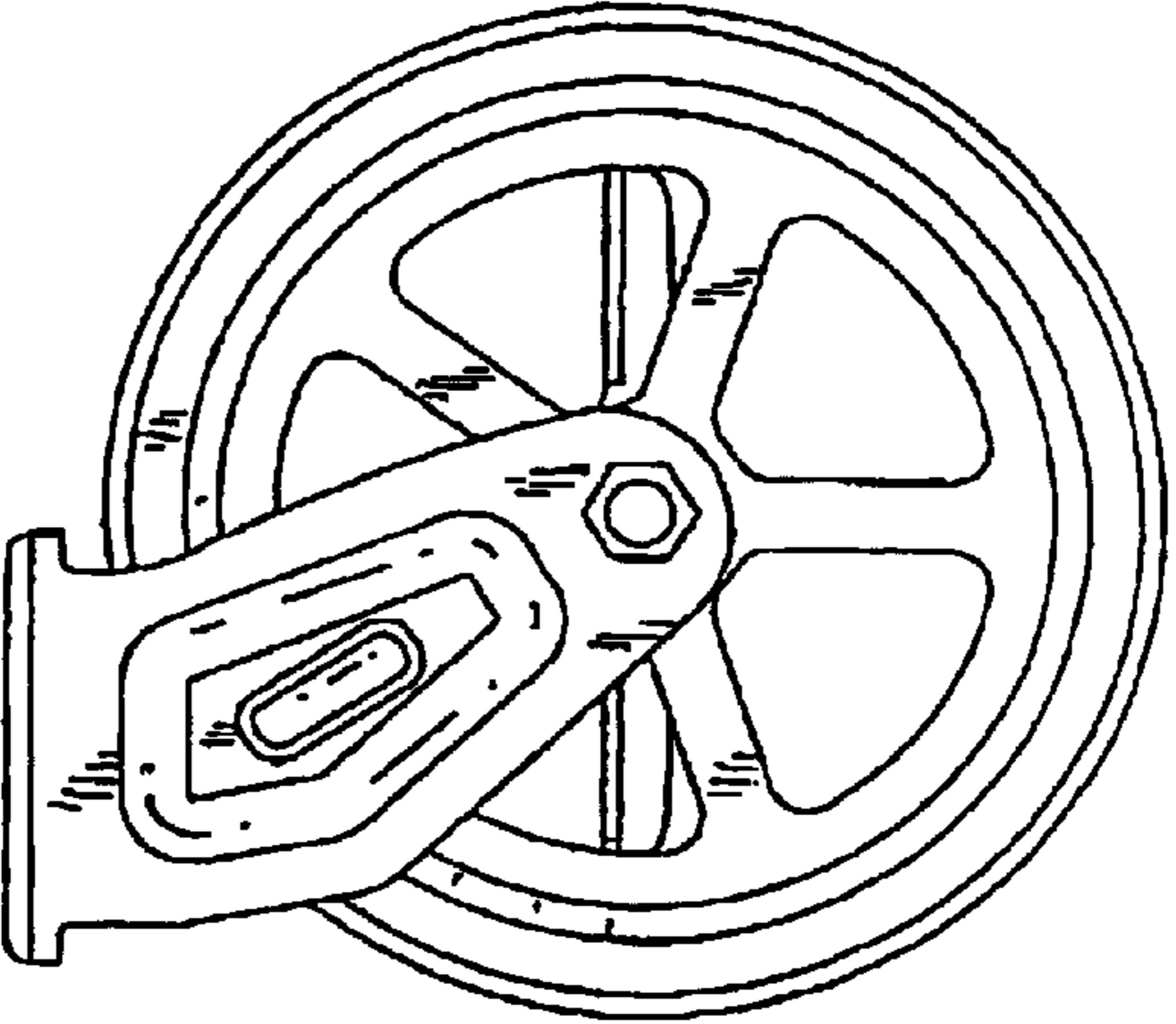


FIG. 5

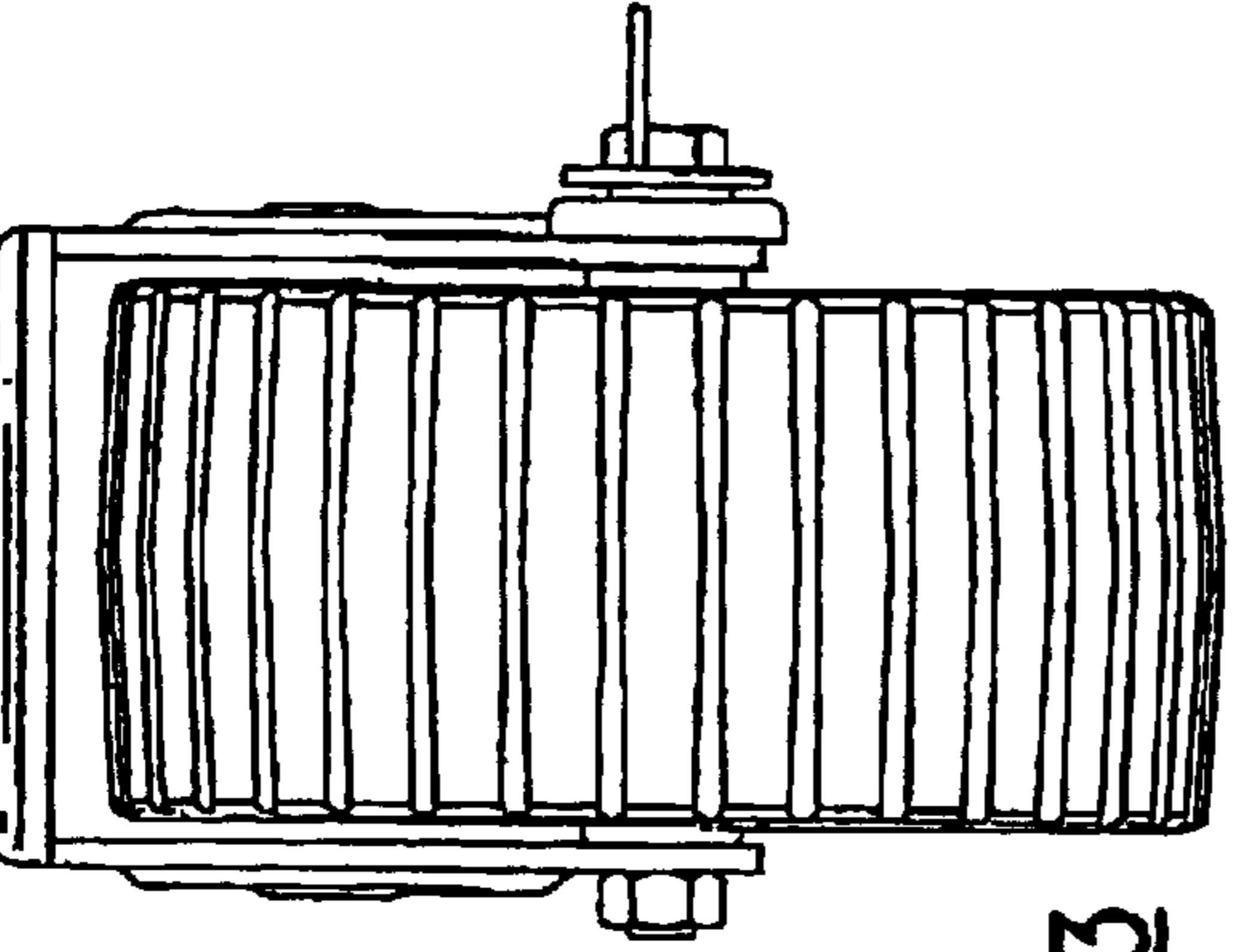


FIG. 3

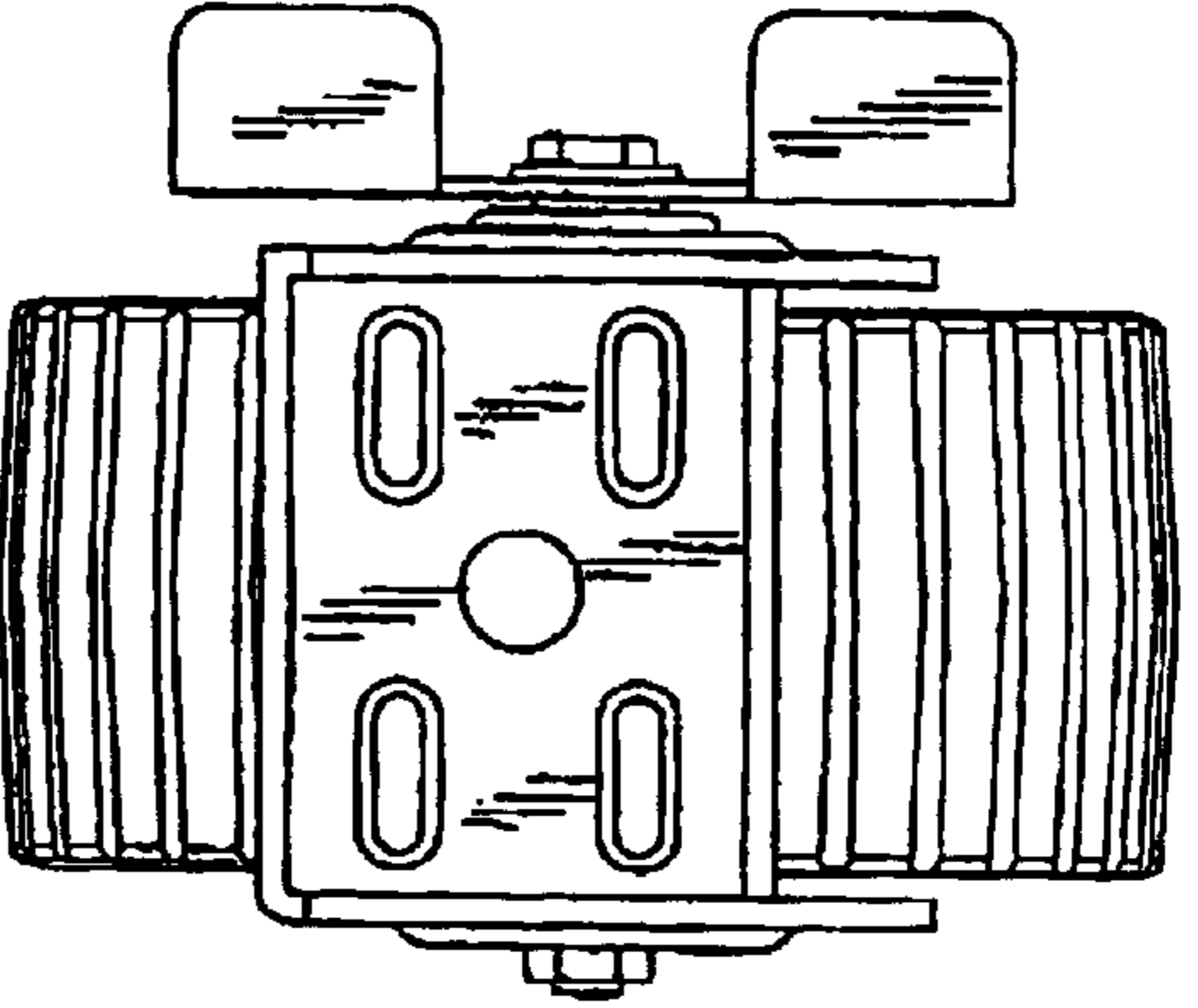


FIG. 6