



US00D501974S

(12) **United States Design Patent**  
**Lawson et al.**

(10) **Patent No.:** **US D501,974 S**  
(45) **Date of Patent:** **\*\* Feb. 15, 2005**

(54) **WHEELBARROW FRAME**

(75) Inventors: **Mike Lawson**, Stevens, PA (US); **Bob Berry**, Enola, PA (US)

(73) Assignee: **Ames True Temper, Inc.**, Camp Hill, PA (US)

(\*\*) Term: **14 Years**

(21) Appl. No.: **29/187,607**

(22) Filed: **Aug. 4, 2003**

(51) **LOC (7) Cl.** ..... **12-02**

(52) **U.S. Cl.** ..... **D34/27**

(58) **Field of Search** ..... D34/16, 27; 280/33.991, 280/33.992, 33.993, 47.18, 47.26, 47.34

(56) **References Cited**

**U.S. PATENT DOCUMENTS**

D163,280 S \* 5/1951 Harrison ..... D34/16  
D463,893 S \* 10/2002 Hoffmann ..... D34/16

**OTHER PUBLICATIONS**

Lagenbach Catalog, p. 11, lift barrow located at top of page, spring 1992.\*

Gempler's Catalog, p. 244, wheelbarrow, located at bottom of page, 2003.\*

\* cited by examiner

*Primary Examiner*—Holly Baynham

(74) *Attorney, Agent, or Firm*—Brij K. Agarwal; Eckert Seamans Cherin & Mellott, LLC

(57) **CLAIM**

The ornamental design for a wheelbarrow frame, as shown and described.

**DESCRIPTION**

FIG. 1 is a front perspective view of a wheelbarrow frame showing our new design;

FIG. 2 is a front elevational view thereof;

FIG. 3 is a rear elevational view thereof;

FIG. 4 is an enlarged right side elevational view thereof;

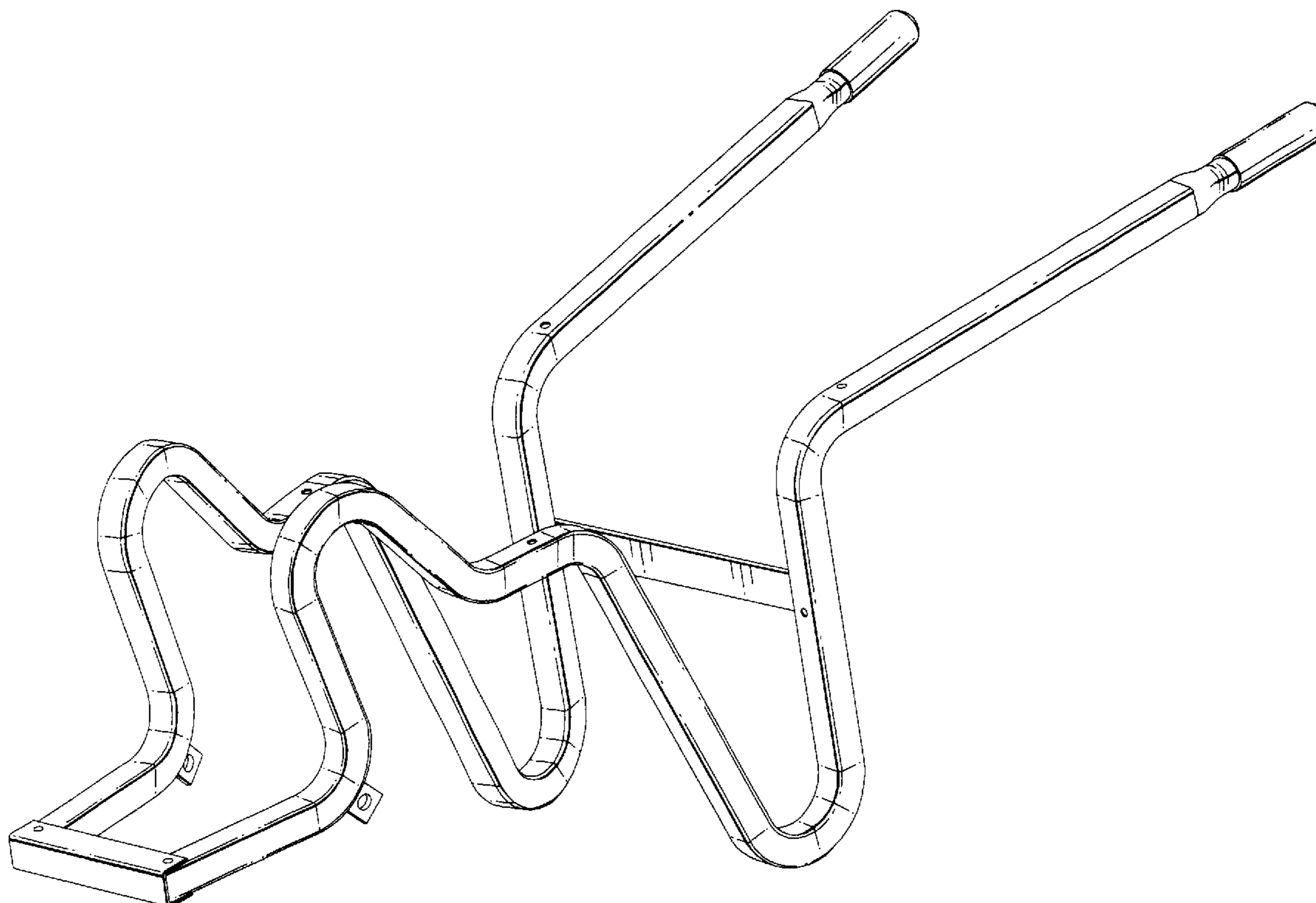
FIG. 5 is a left side elevational view thereof;

FIG. 6 is a reduced scale top plan view thereof; and,

FIG. 7 is a bottom plan view thereof.

The broken line showing of a wheelbarrow and wheel is for illustrative purposes only and forms no part of the claimed design.

**1 Claim, 7 Drawing Sheets**



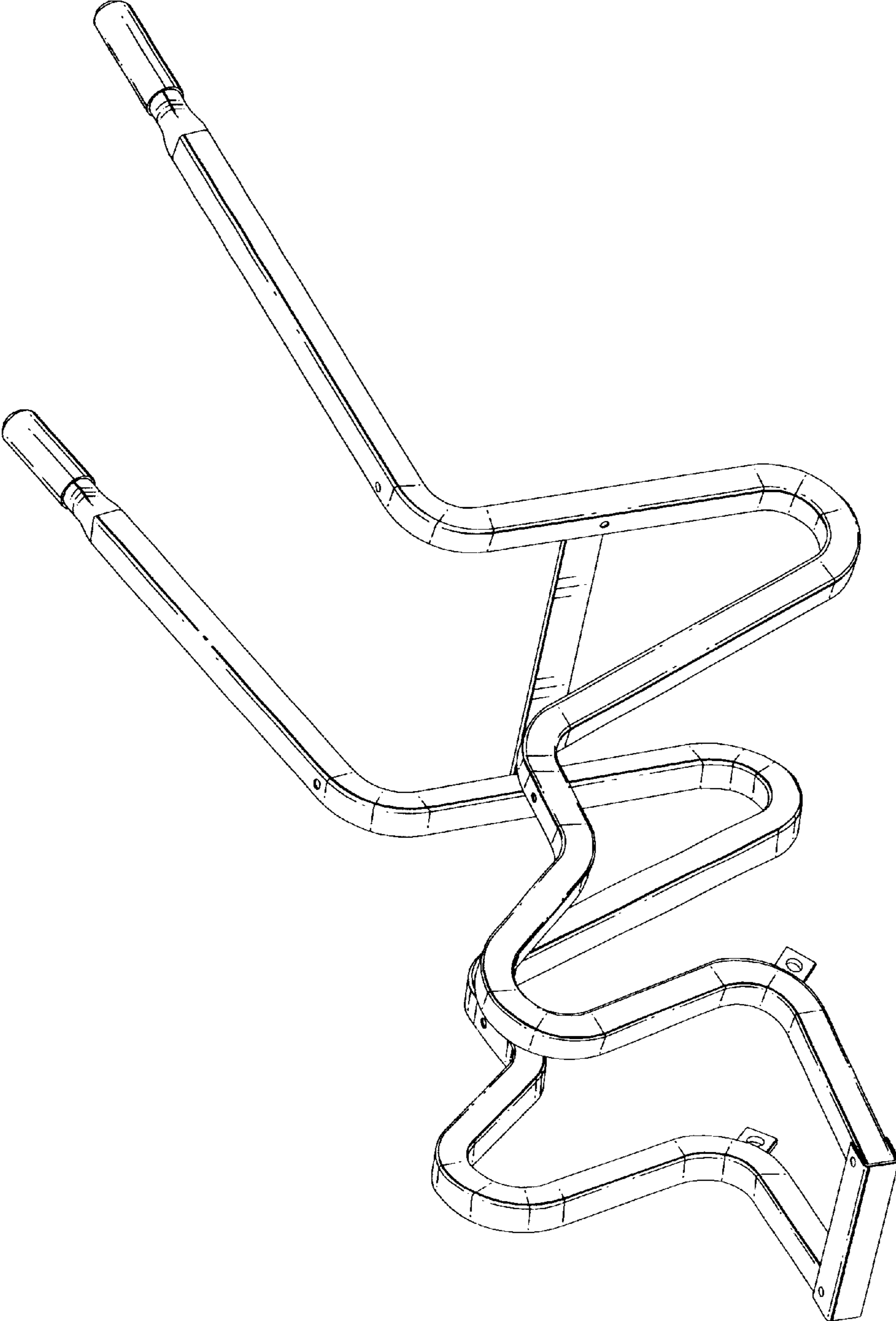


FIG. 1

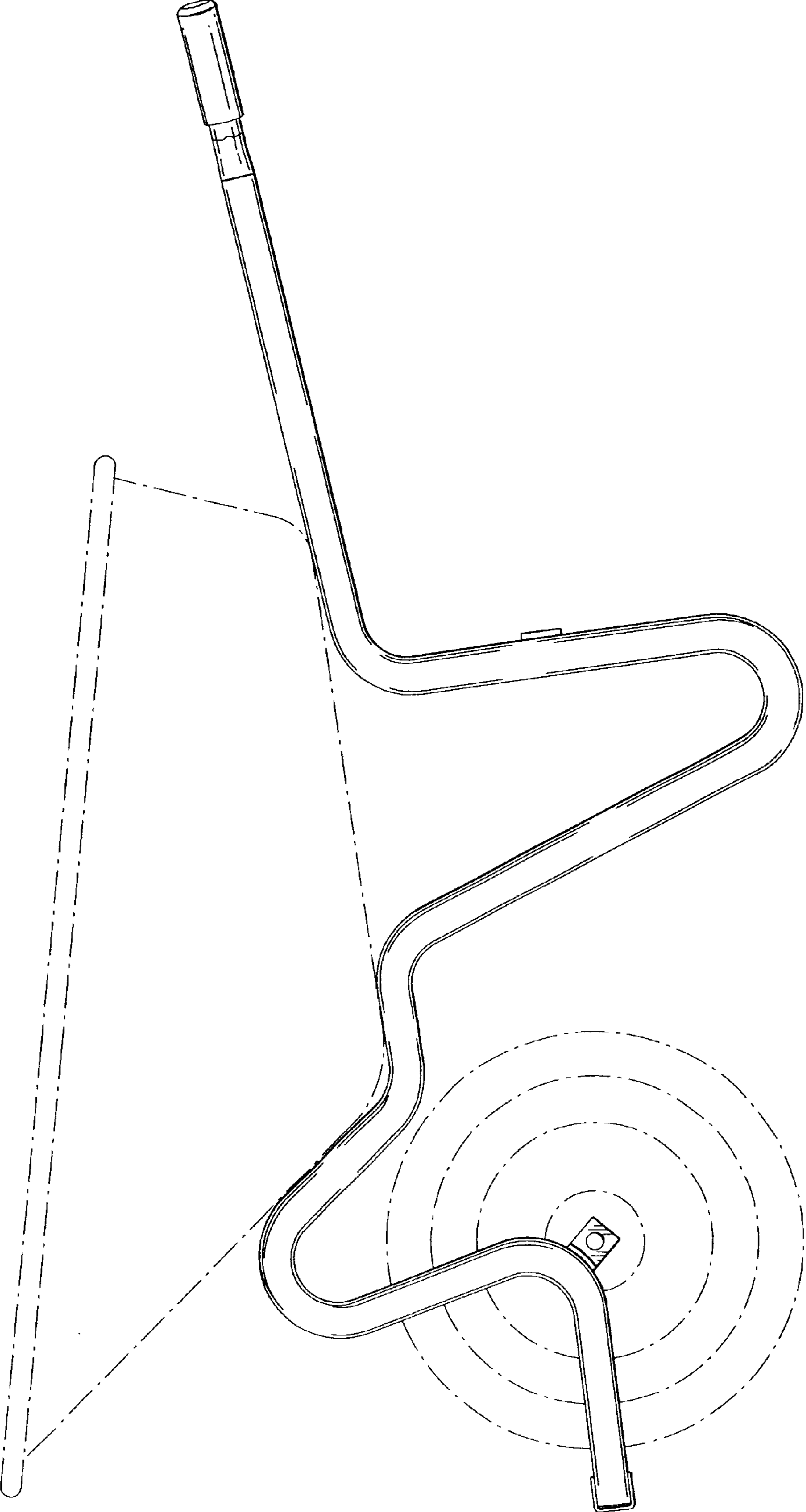


FIG. 2

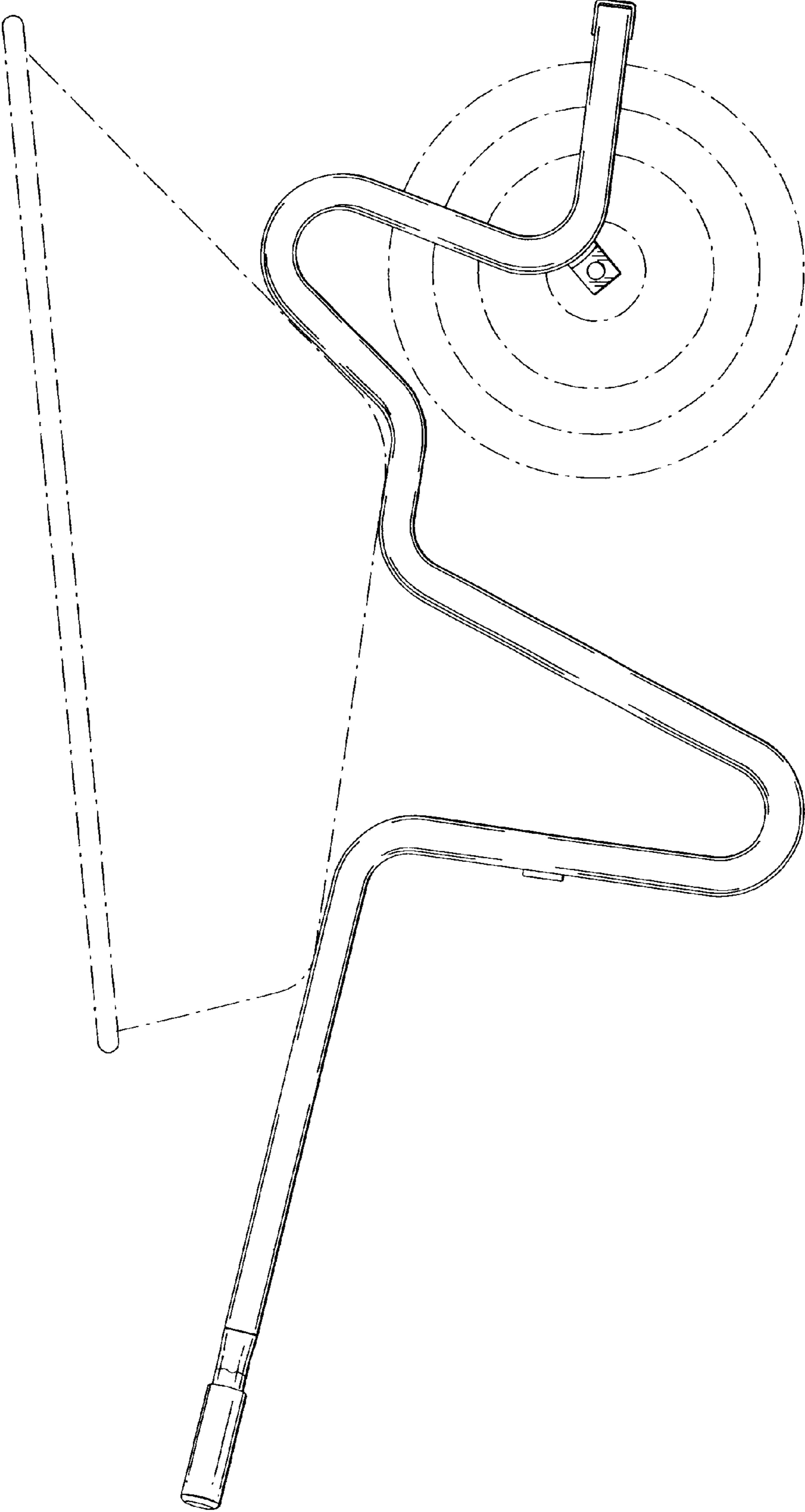


FIG. 3

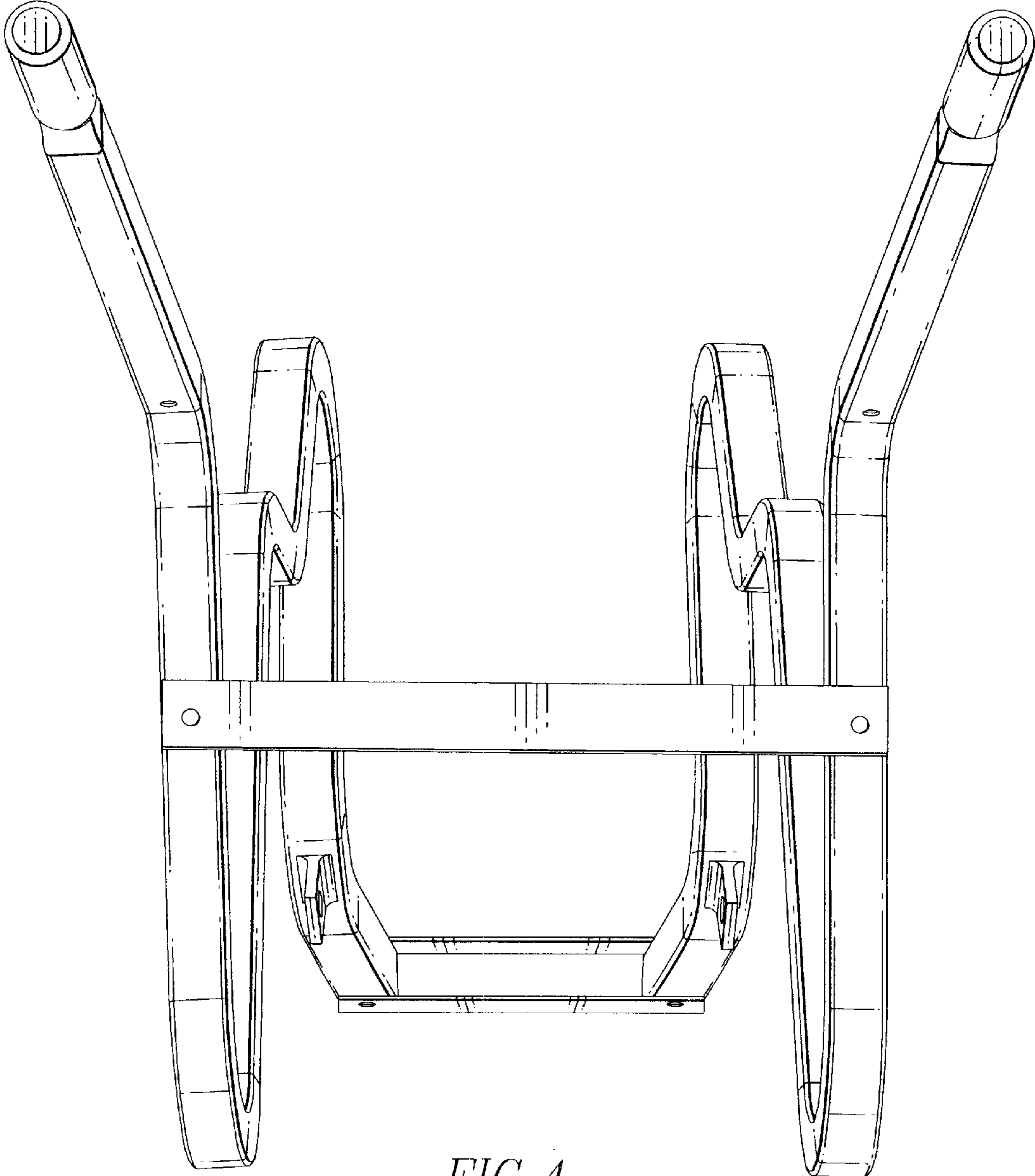


FIG. 4



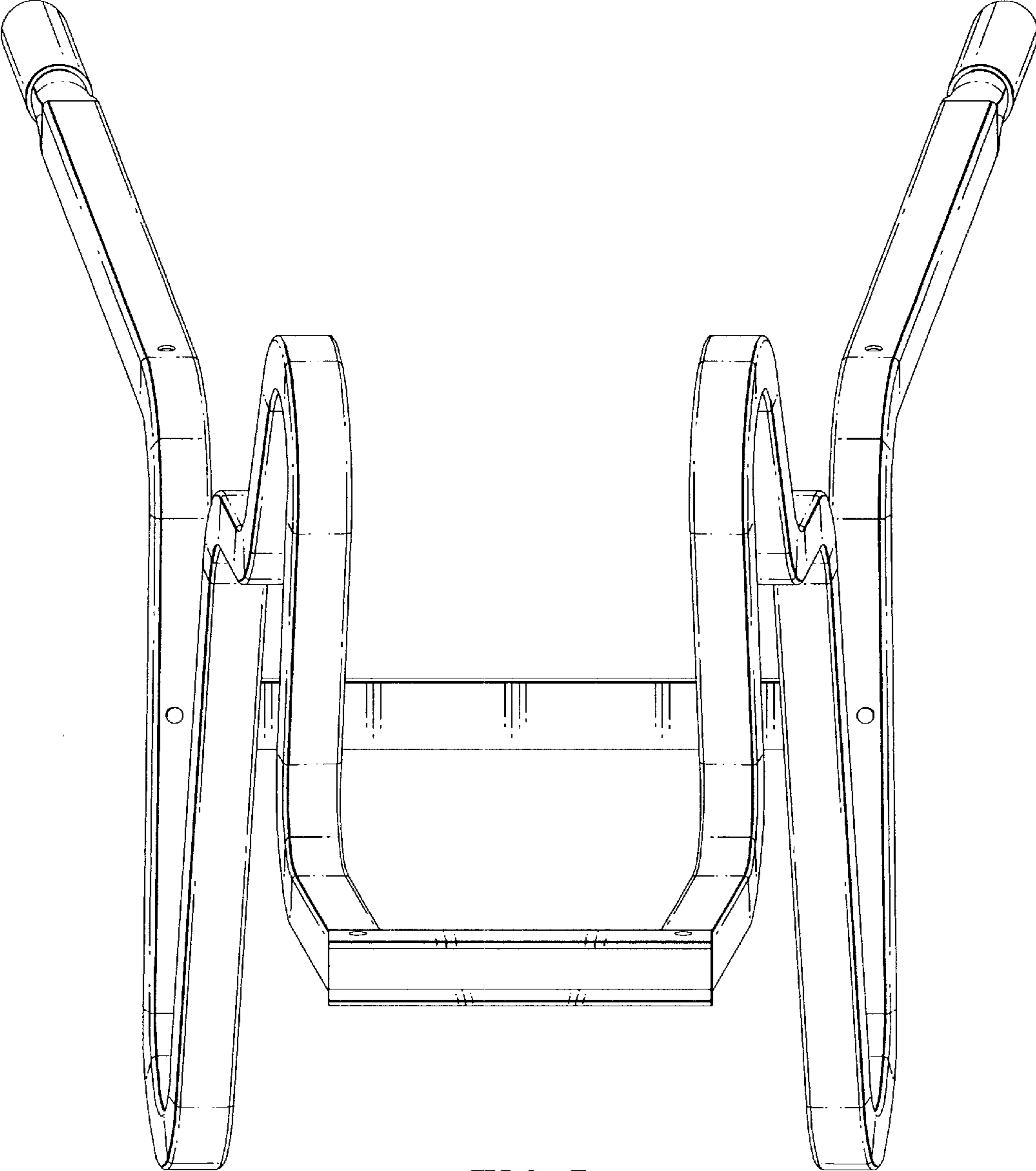


FIG. 5

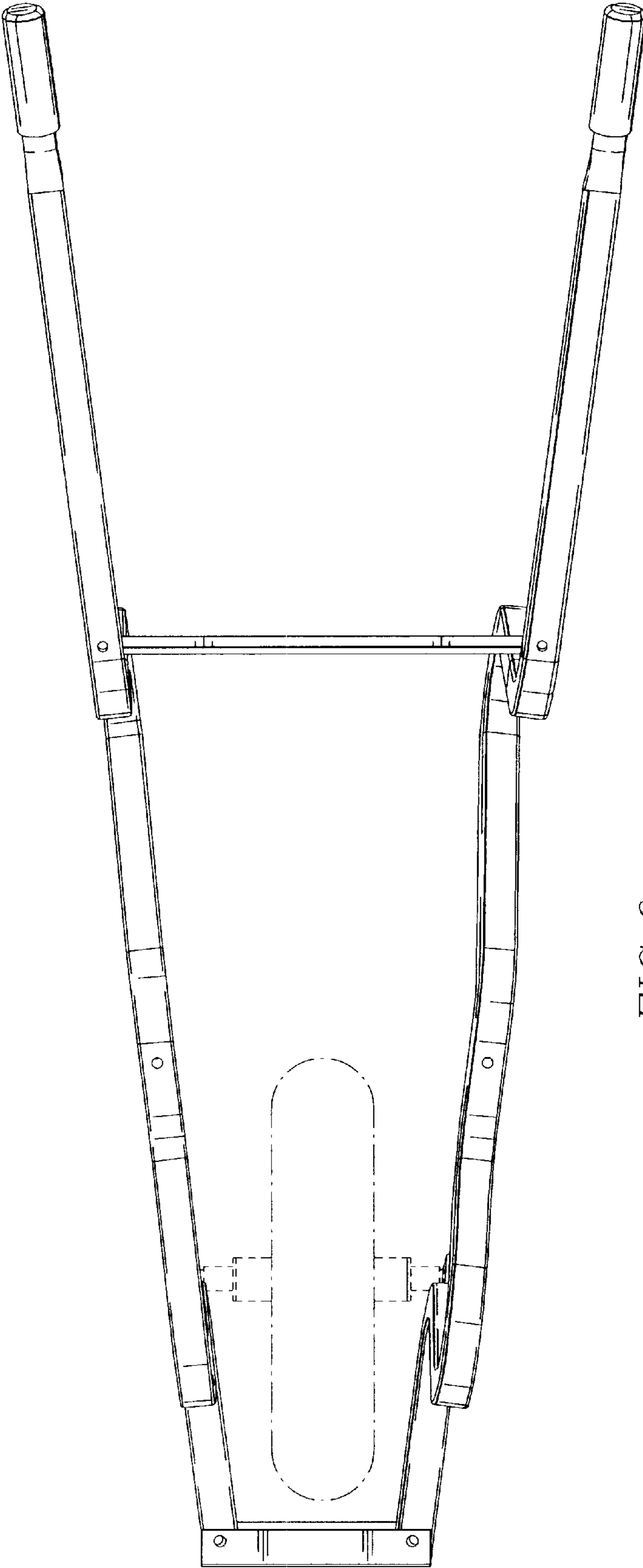


FIG. 6

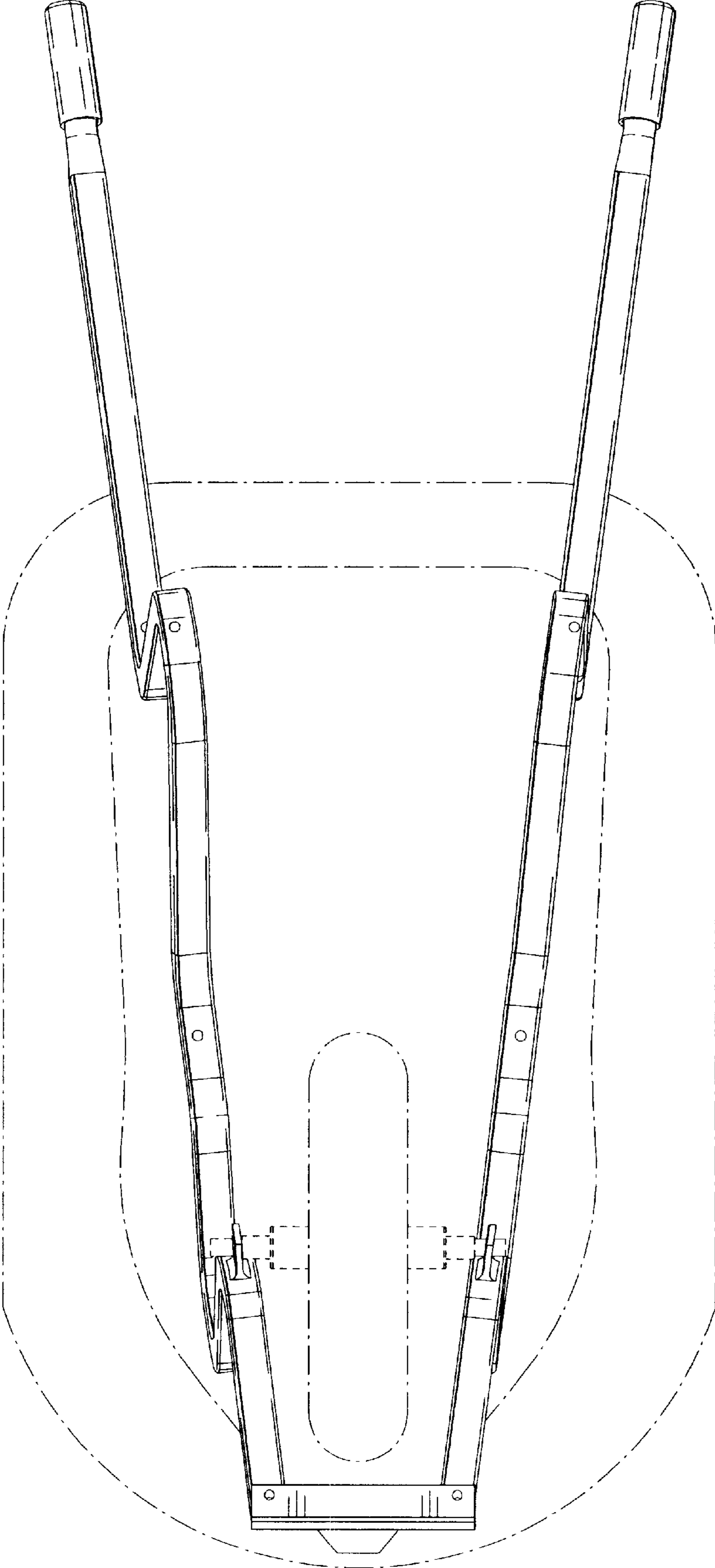


FIG. 7