

US00D501972S

(12) **United States Design Patent**
Hillbohm

(10) **Patent No.:** **US D501,972 S**

(45) **Date of Patent:** **** Feb. 15, 2005**

(54) **WHEELBARROW**

(76) **Inventor:** **Lars Hillbohm**, Örvägen 6, Skutskär
SE-814 93 (SE)

(**) **Term:** **14 Years**

(21) **Appl. No.:** **29/199,682**

(22) **Filed:** **Feb. 18, 2004**

(30) **Foreign Application Priority Data**

Aug. 19, 2003 (SE) 03-0734

(51) **LOC (7) Cl.** **12-02**

(52) **U.S. Cl.** **D34/16**

(58) **Field of Search** D34/16; 280/33.991,
280/33.992, 33.993, 33.994, 47.18, 47.26,
47.34

(56) **References Cited**

U.S. PATENT DOCUMENTS

4,335,897 A * 6/1982 Muller, Jr. 280/47.18

D329,726 S * 9/1992 Loveless D34/16
D456,971 S * 5/2002 Abel D34/16
D463,893 S * 10/2002 Hoffmann D34/16

OTHER PUBLICATIONS

Gempler's catalog, p. 244, wheelbarrow circled at top of page, Jan. 7, 2003.*

* cited by examiner

Primary Examiner—Holly Baynham

(74) *Attorney, Agent, or Firm*—Dilworth & Barrese, LLP

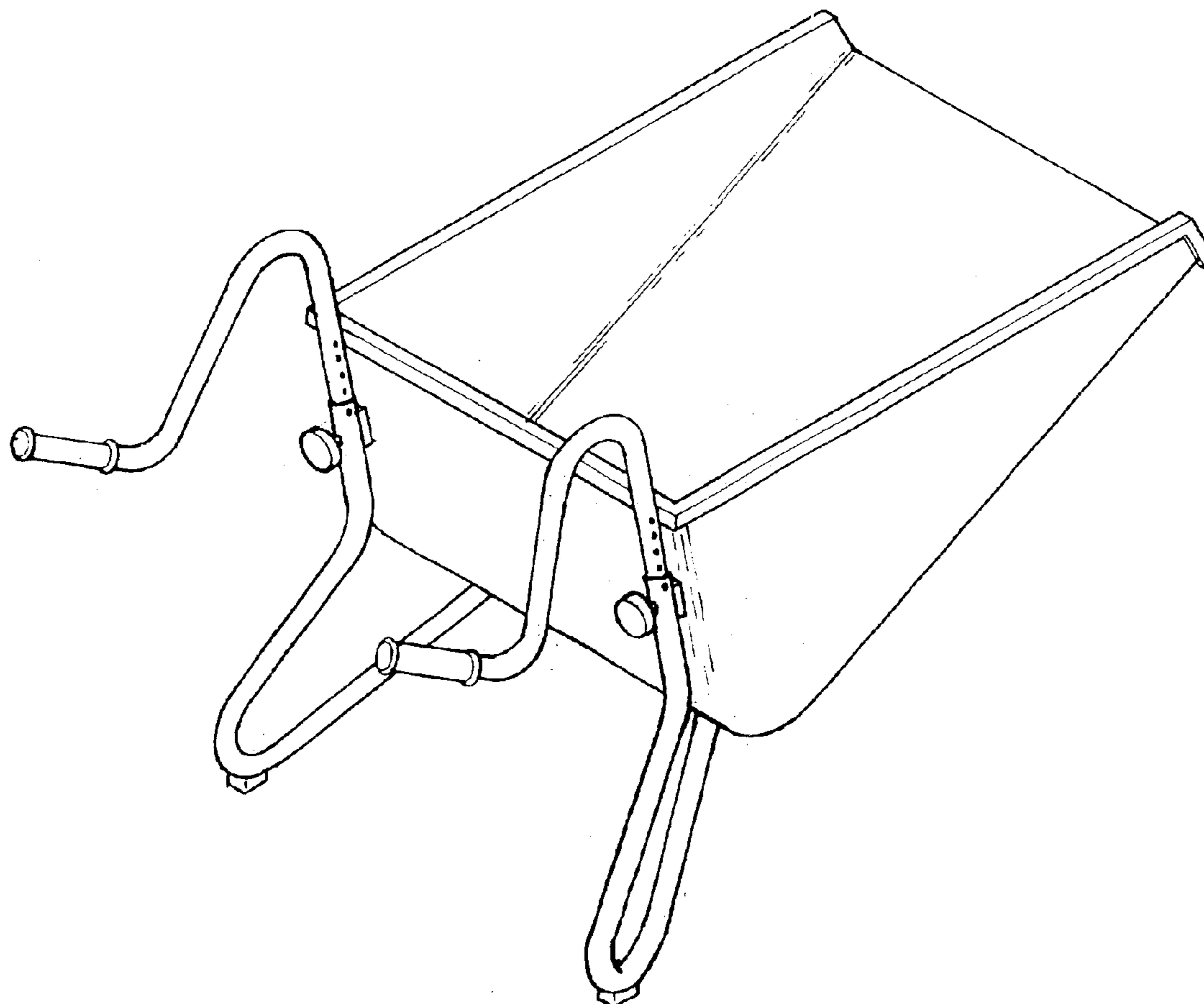
(57) **CLAIM**

I claim the ornamental design for an wheelbarrow, as shown.

DESCRIPTION

FIG. 1 is a side elevation view of a wheelbarrow,
FIG. 2 is a perspective view of the wheelbarrow of FIG. 1
viewed obliquely from above; and,
FIG. 3 is a perspective view of the wheelbarrow of FIG. 1
viewed obliquely from below.

1 Claim, 2 Drawing Sheets



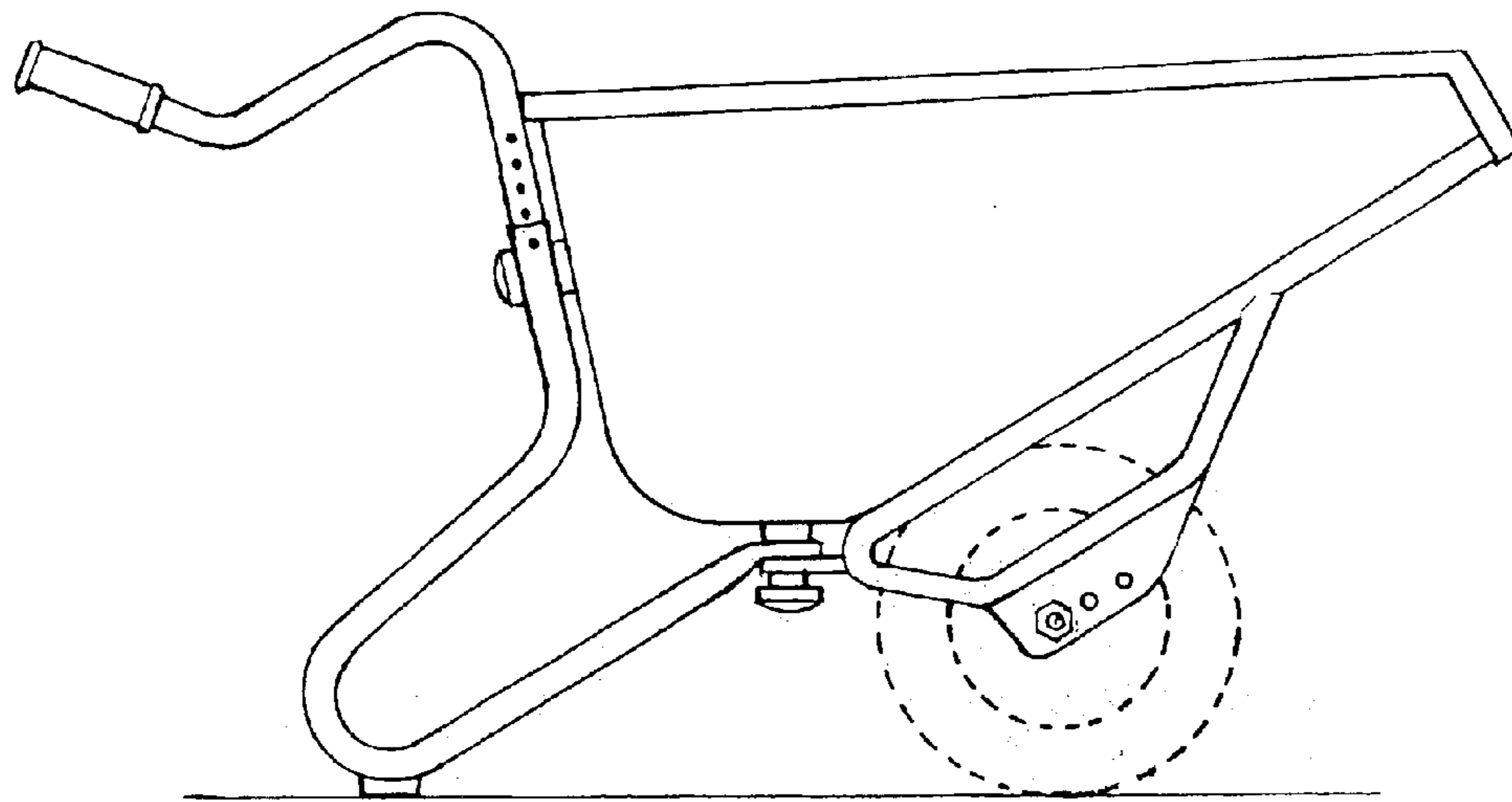


Fig 1

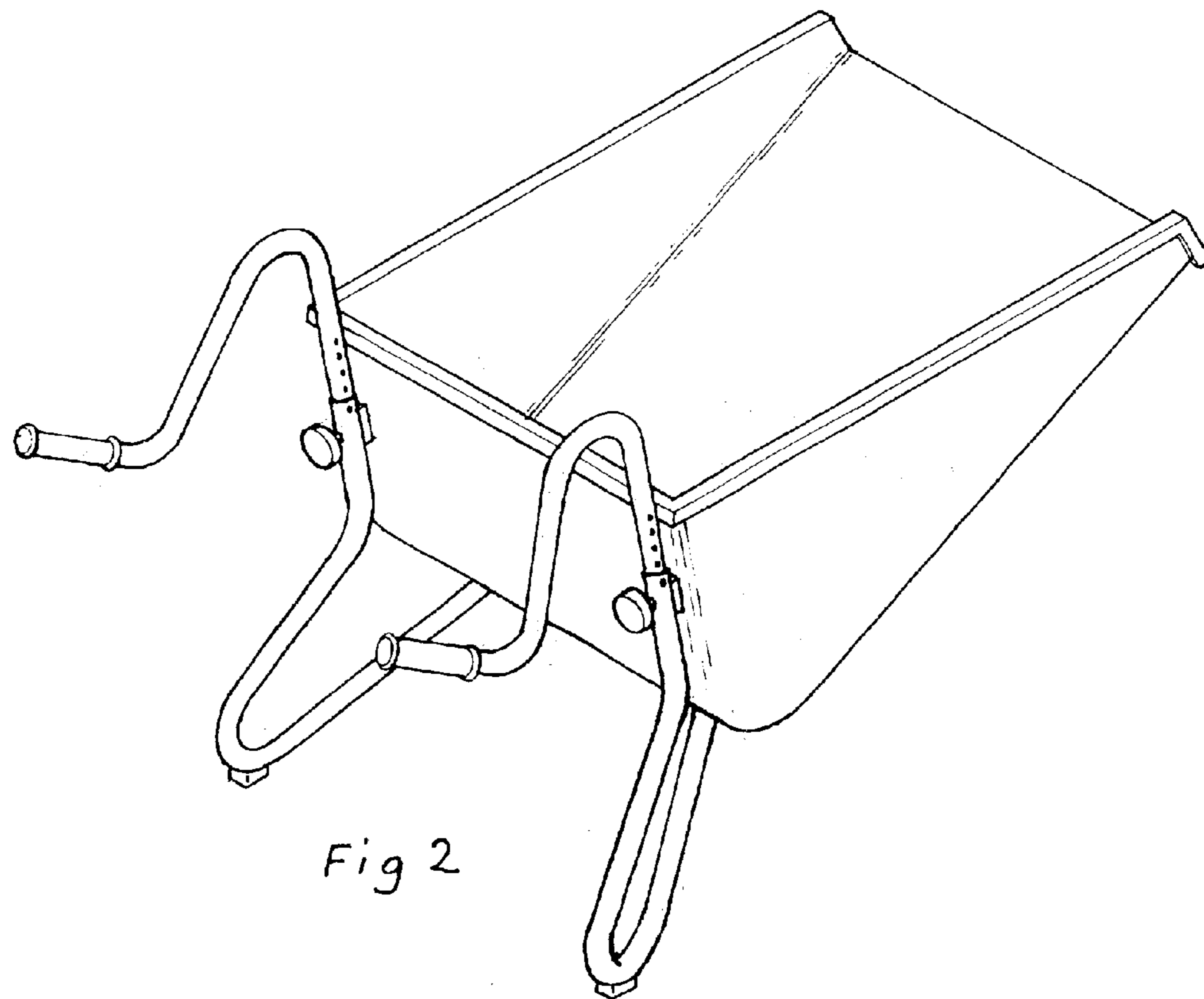


Fig 2

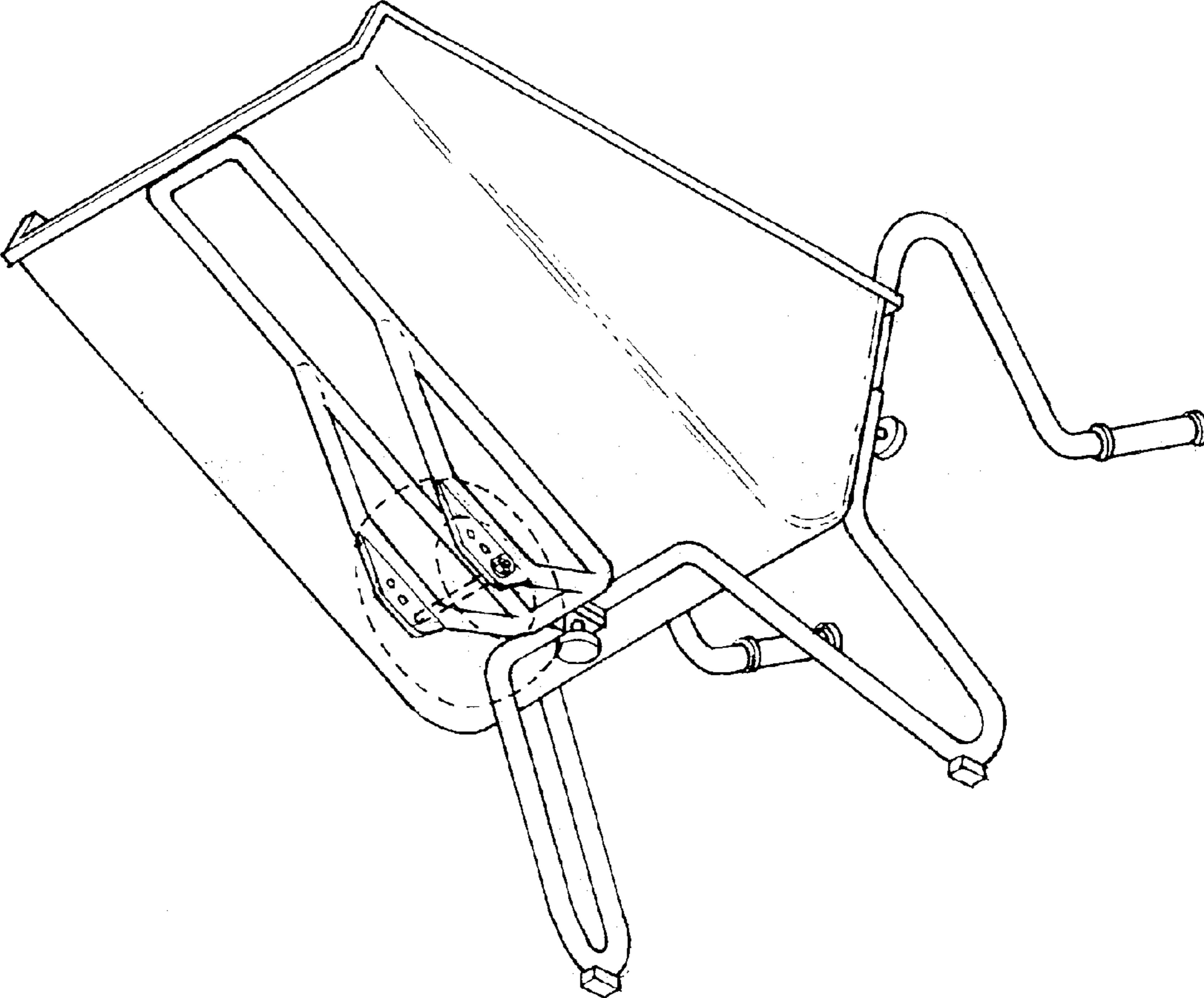


Fig 3