

US00D501968S

(12) **United States Design Patent**  
**Sofy et al.**

(10) **Patent No.:** **US D501,968 S**  
(45) **Date of Patent:** **\*\* Feb. 15, 2005**

(54) **HAMPER**

(75) Inventors: **Janet M. Sofy**, Troy, MI (US); **Craig Rogers**, White Lake, MI (US)

(73) Assignee: **HMS Mfg. Co.**, Troy, MI (US)

(\*\*) Term: **14 Years**

(21) Appl. No.: **29/204,434**

(22) Filed: **Apr. 29, 2004**

(51) **LOC (7) Cl.** ..... **07-07**

(52) **U.S. Cl.** ..... **D32/37**

(58) **Field of Search** ..... D32/37; D34/1,  
D34/7, 8; 220/604, 669, 674, 675, 810,  
831-833, 836, 908, 913; 232/1 B

(56) **References Cited**

**U.S. PATENT DOCUMENTS**

D215,617 S 10/1969 Heck  
D265,261 S 6/1982 Gerber  
5,242,074 A 9/1993 Conaway et al.

D344,167 S 2/1994 Hobson et al.  
D362,933 S 10/1995 Calmeise  
D431,699 S \* 10/2000 Sofy ..... D32/37  
D457,280 S 5/2002 Sofy  
D462,149 S \* 8/2002 Hall ..... D32/37  
D474,316 S 5/2003 Sofy et al.

\* cited by examiner

*Primary Examiner*—Alan P. Douglas

*Assistant Examiner*—Lavone D. Tabor

(74) *Attorney, Agent, or Firm*—Howard & Howard

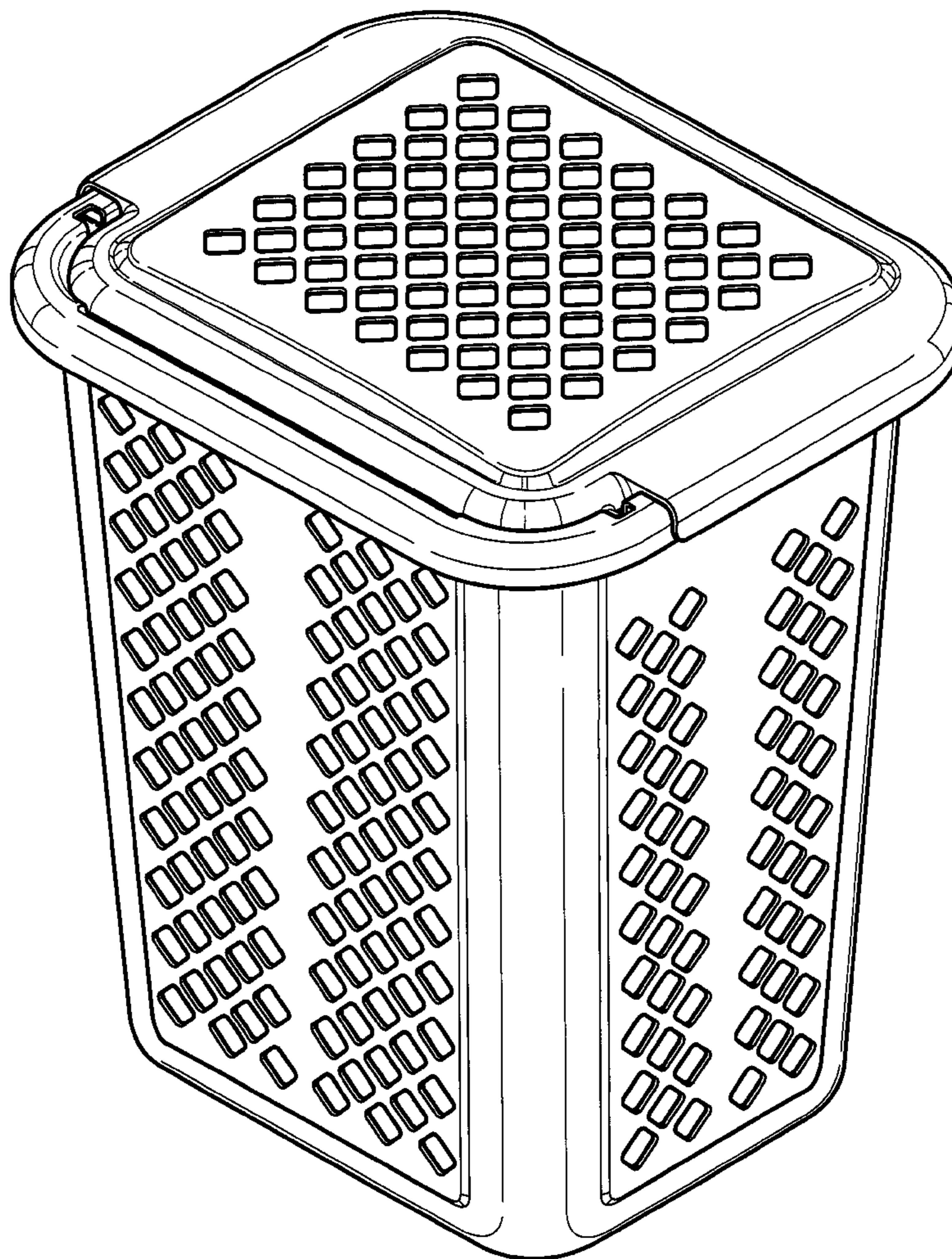
(57) **CLAIM**

We claim the ornamental design for a hamper, as shown.

**DESCRIPTION**

FIG. 1 is a perspective view,  
FIG. 2 is a view of the front,  
FIG. 3 is an end view,  
FIG. 4 is a top view; and,  
FIG. 5 is a bottom view.

**1 Claim, 5 Drawing Sheets**



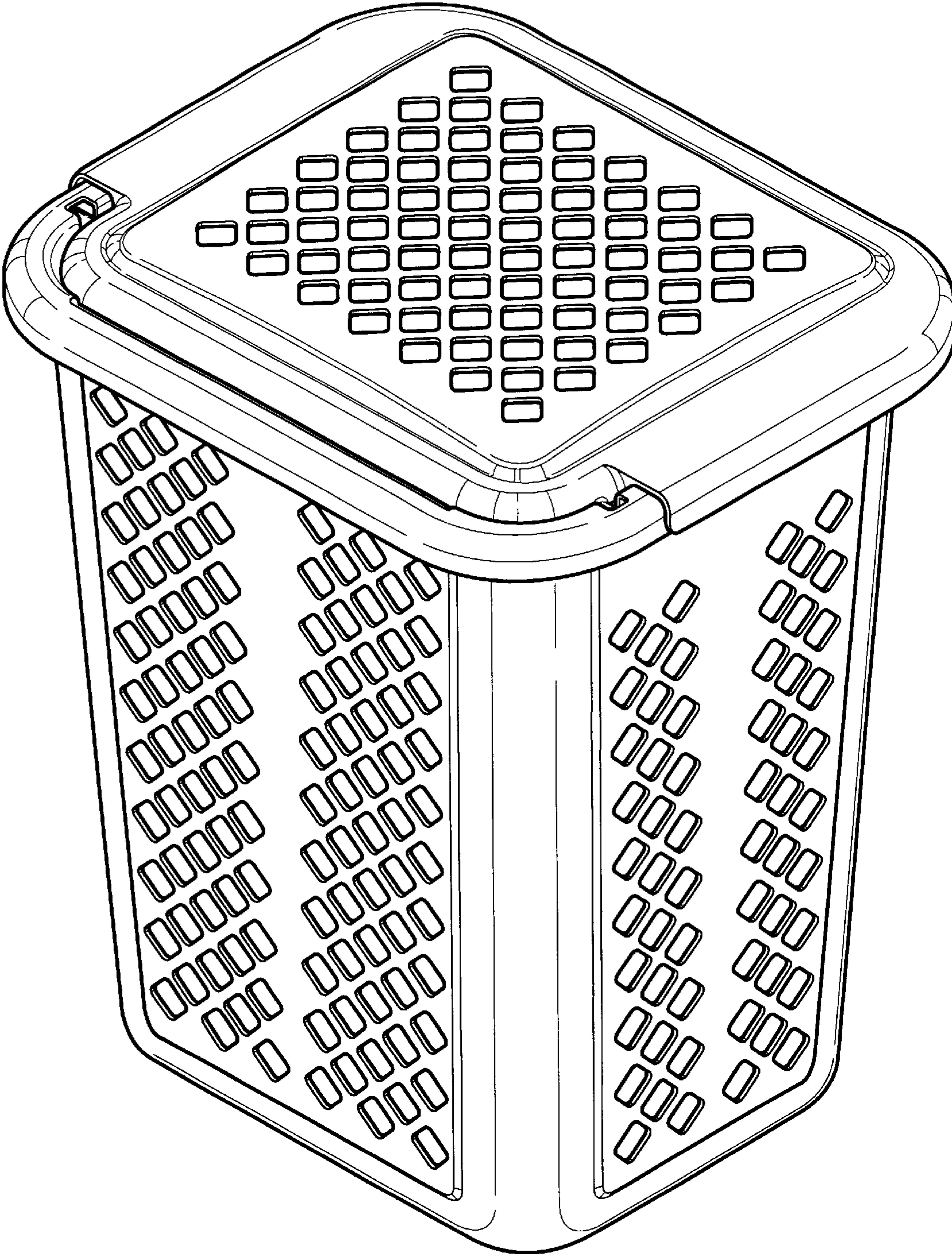


FIG - 1



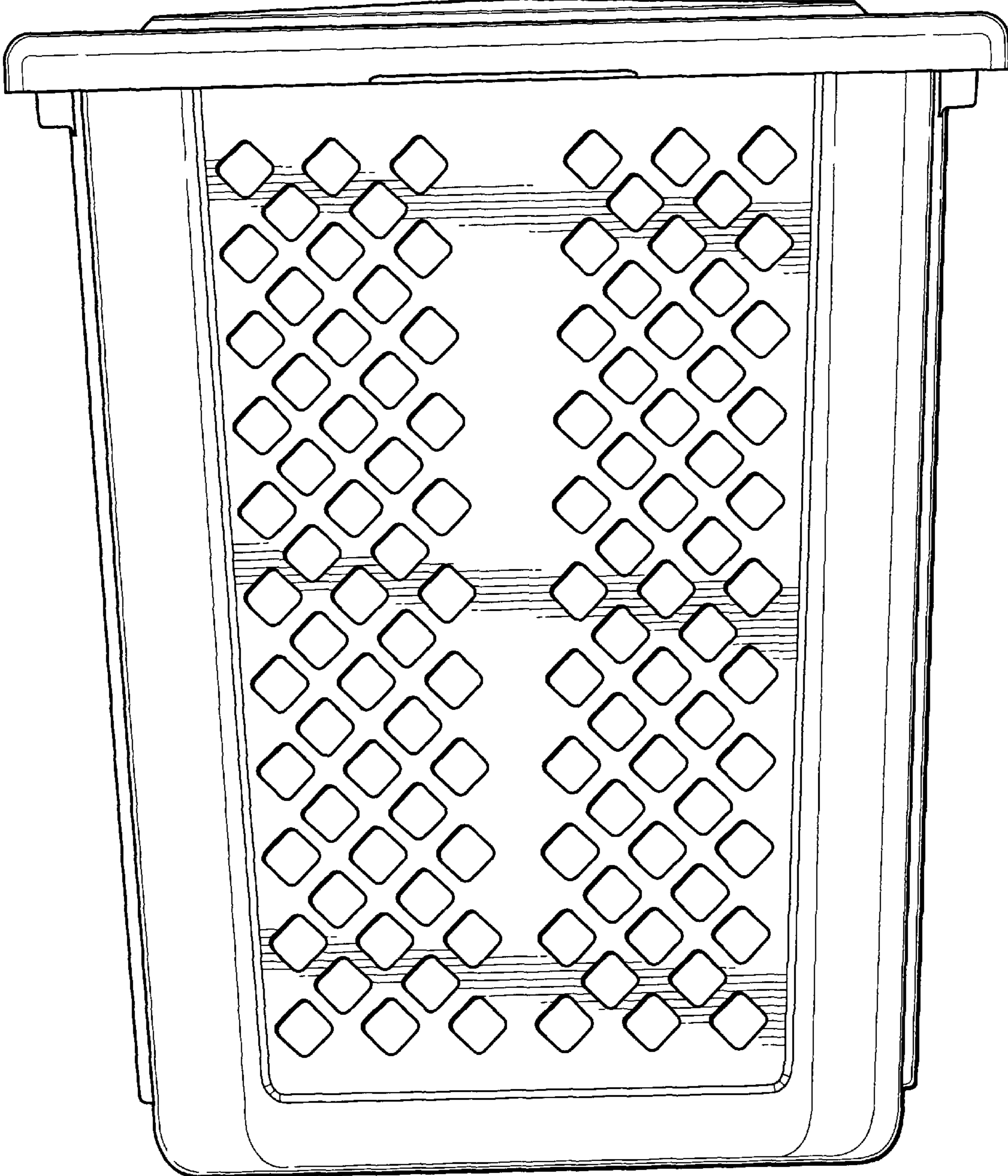


FIG - 2

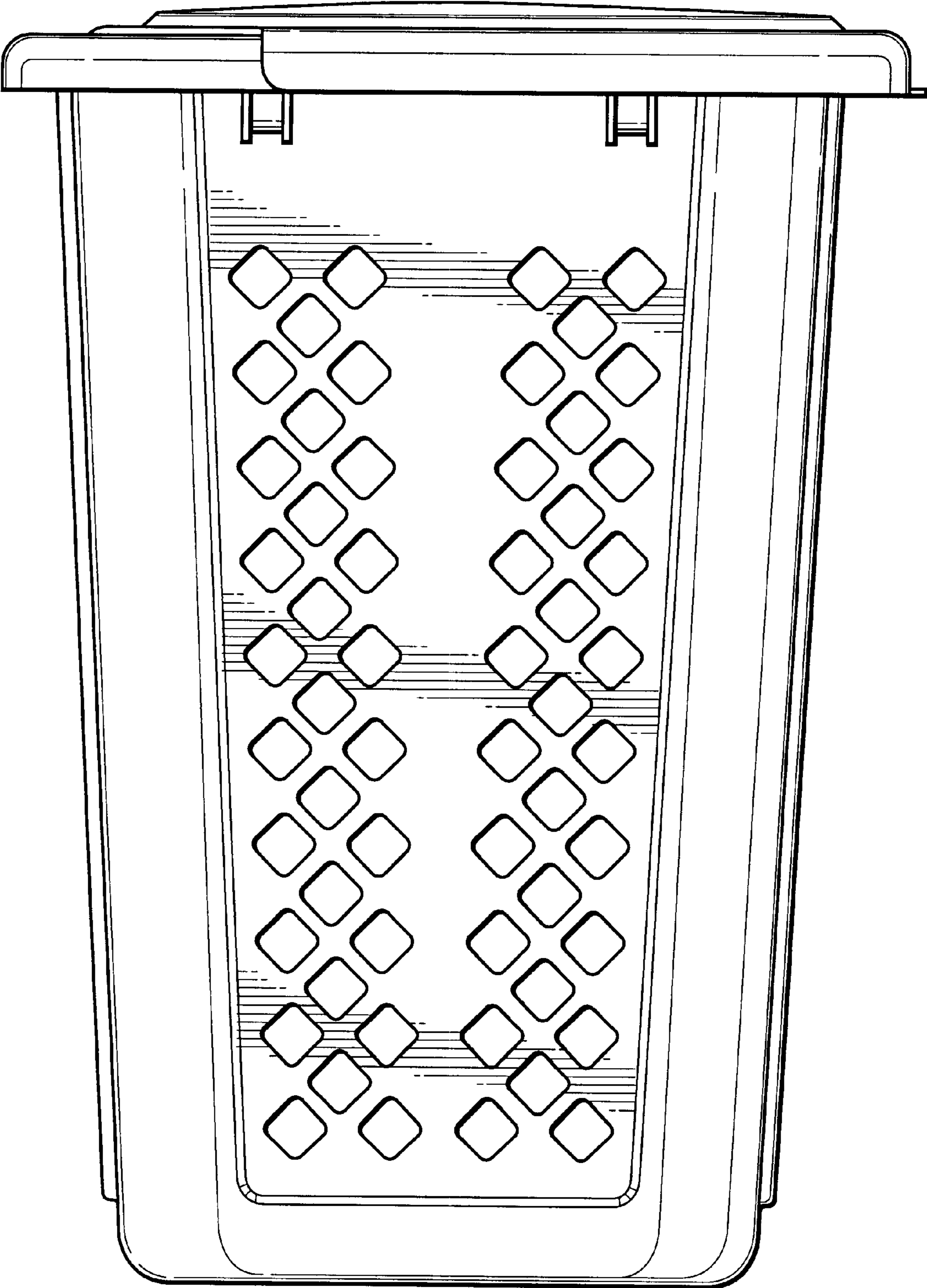


FIG - 3

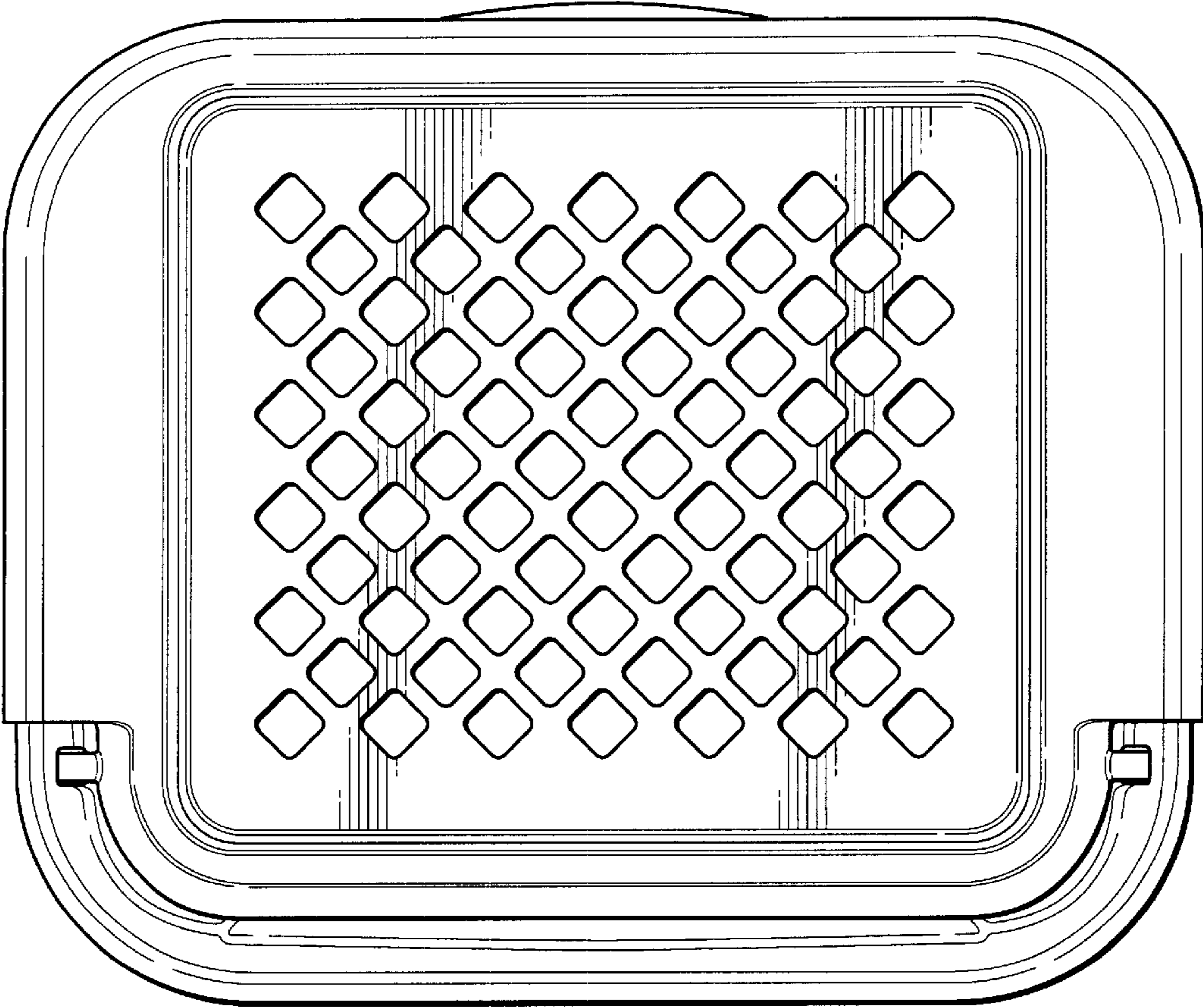


FIG - 4

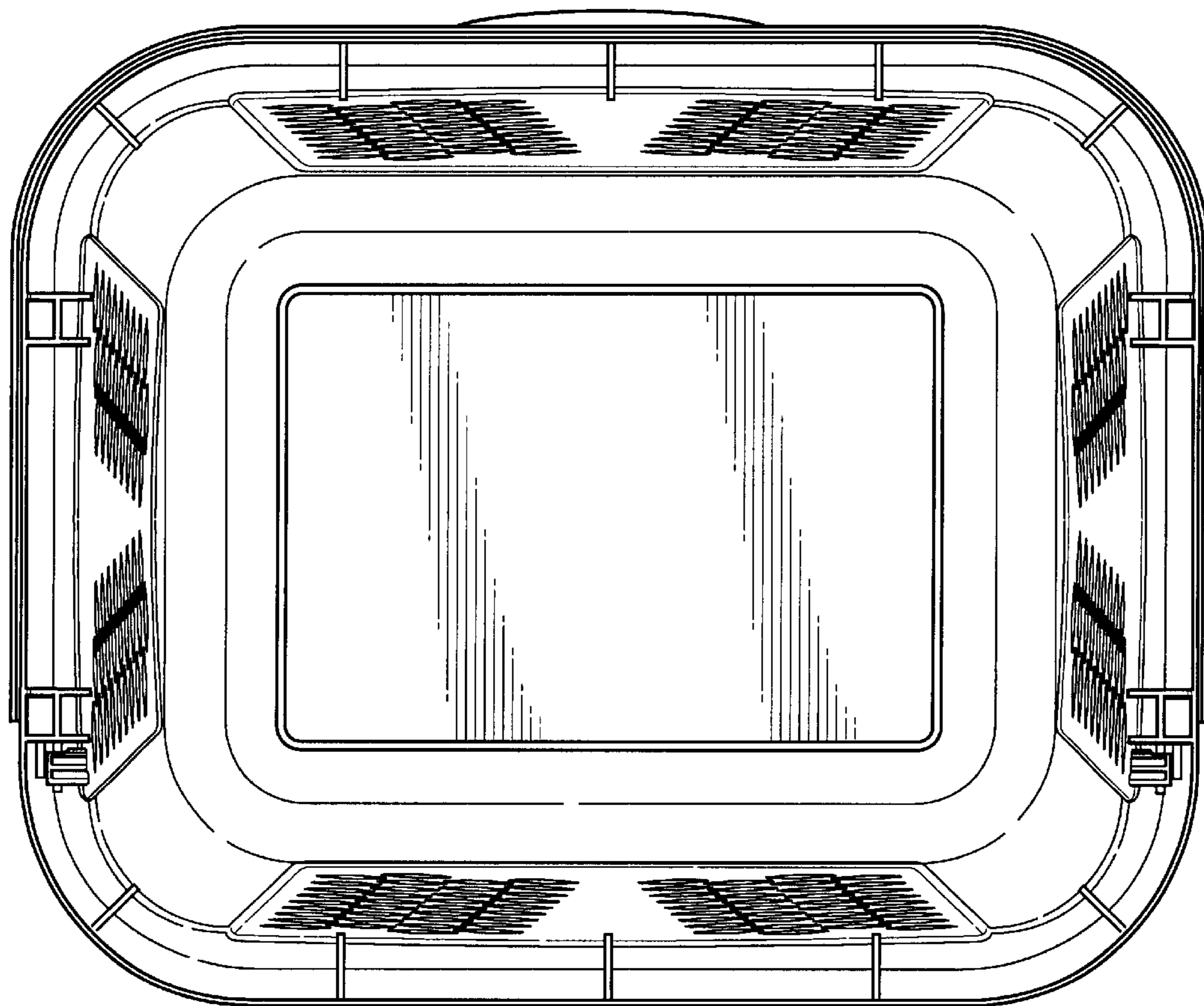


FIG - 5