

US00D501964S

(12) **United States Design Patent**  
**Cheng**

(10) **Patent No.:** **US D501,964 S**

(45) **Date of Patent:** **\*\* Feb. 15, 2005**

(54) **DUST-COLLECTING MACHINE**

(75) **Inventor:** **Chieh yuan Cheng**, Taichung (TW)

(73) **Assignee:** **San Ford Machinery Co., Ltd.**,  
Taichung (TW)

(\*\*) **Term:** **14 Years**

(21) **Appl. No.:** **29/192,869**

(22) **Filed:** **Oct. 31, 2003**

(51) **LOC (7) Cl.** ..... **15-05**

(52) **U.S. Cl.** ..... **D32/21**

(58) **Field of Search** ..... D32/1, 15-16,  
D32/21, 23, 31; 55/356, 378, 429, 315,  
482, DIG. 3, 472; 15/347, 352

(56) **References Cited**

**U.S. PATENT DOCUMENTS**

D289,096 S	*	3/1987	Larsen	.....	D32/21
4,715,872 A	*	12/1987	Snyder	.....	55/315
5,163,985 A	*	11/1992	Chen	.....	55/356
5,169,420 A	*	12/1992	Chen	.....	55/315
D357,094 S	*	4/1995	Lin	.....	D32/1

D357,095 S	*	4/1995	Lin	.....	D32/1
D358,234 S	*	5/1995	Lin	.....	D32/1
6,221,135 B1	*	4/2001	Wirth et al.	.....	95/273
6,507,974 B1	*	1/2003	Cheng	.....	15/347
2004/0035092 A1	*	2/2004	Wang	.....	55/356

\* cited by examiner

*Primary Examiner*—Ruth McInroy

(74) *Attorney, Agent, or Firm*—Troxell Law Office PLLC

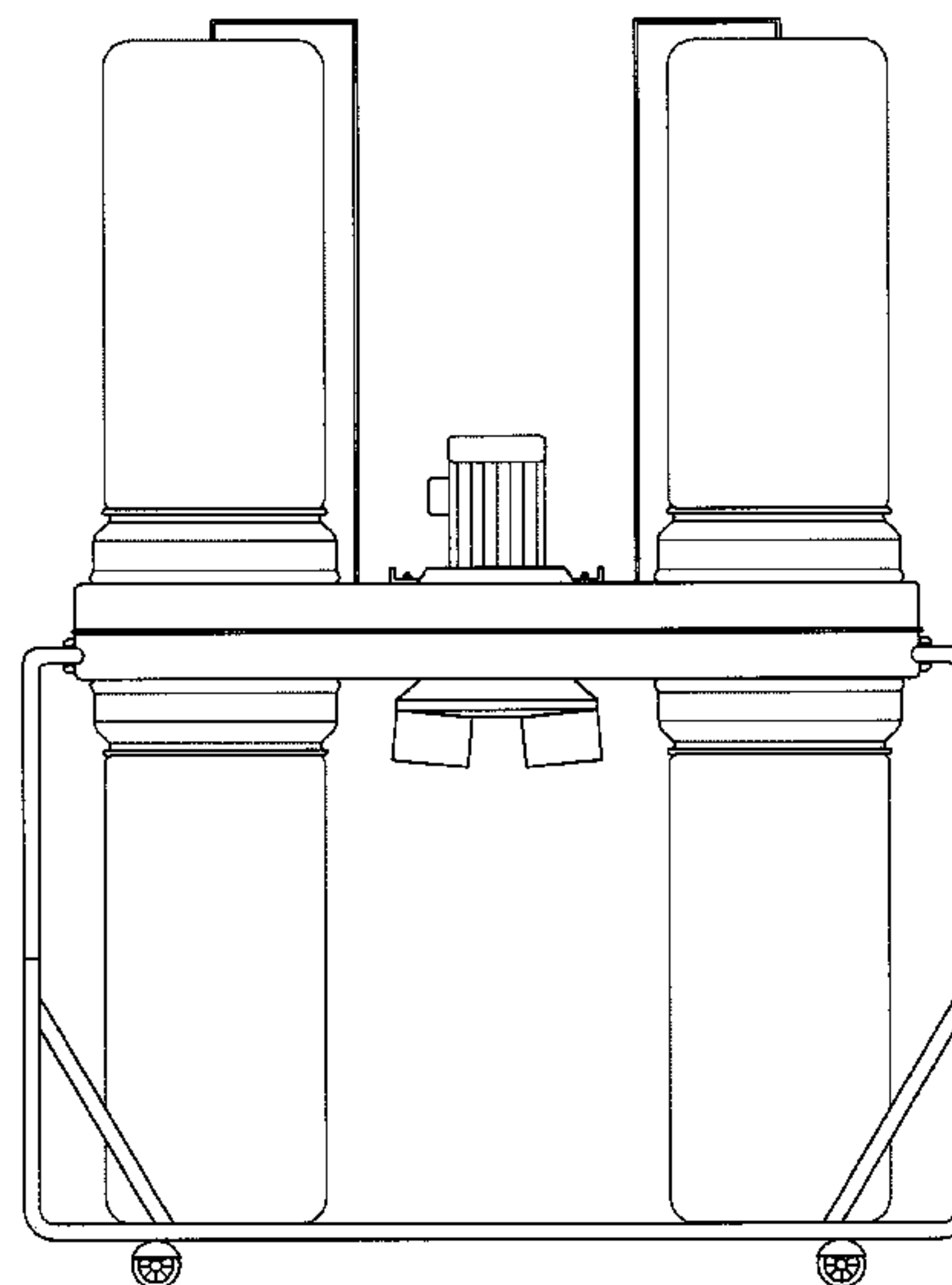
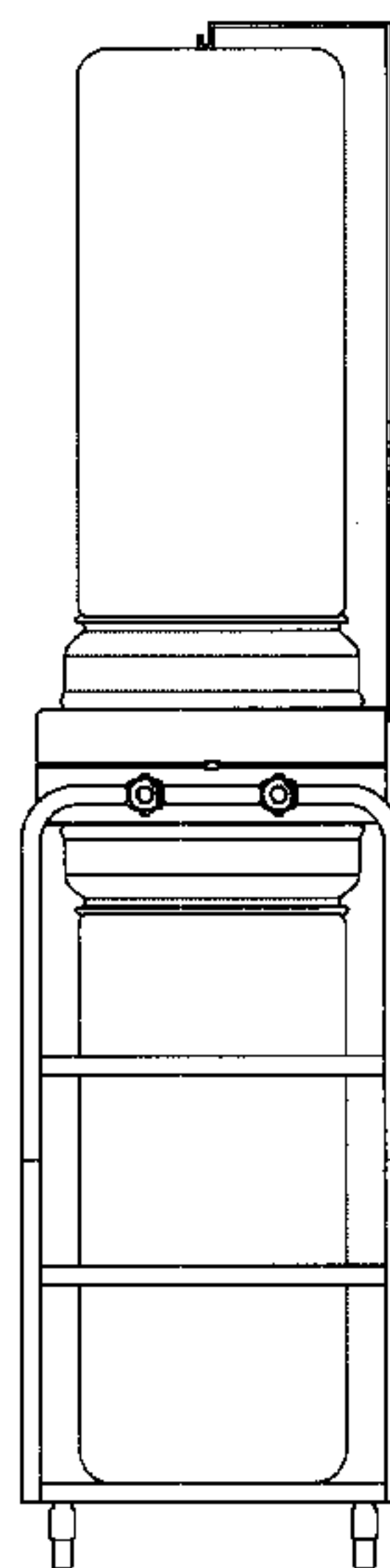
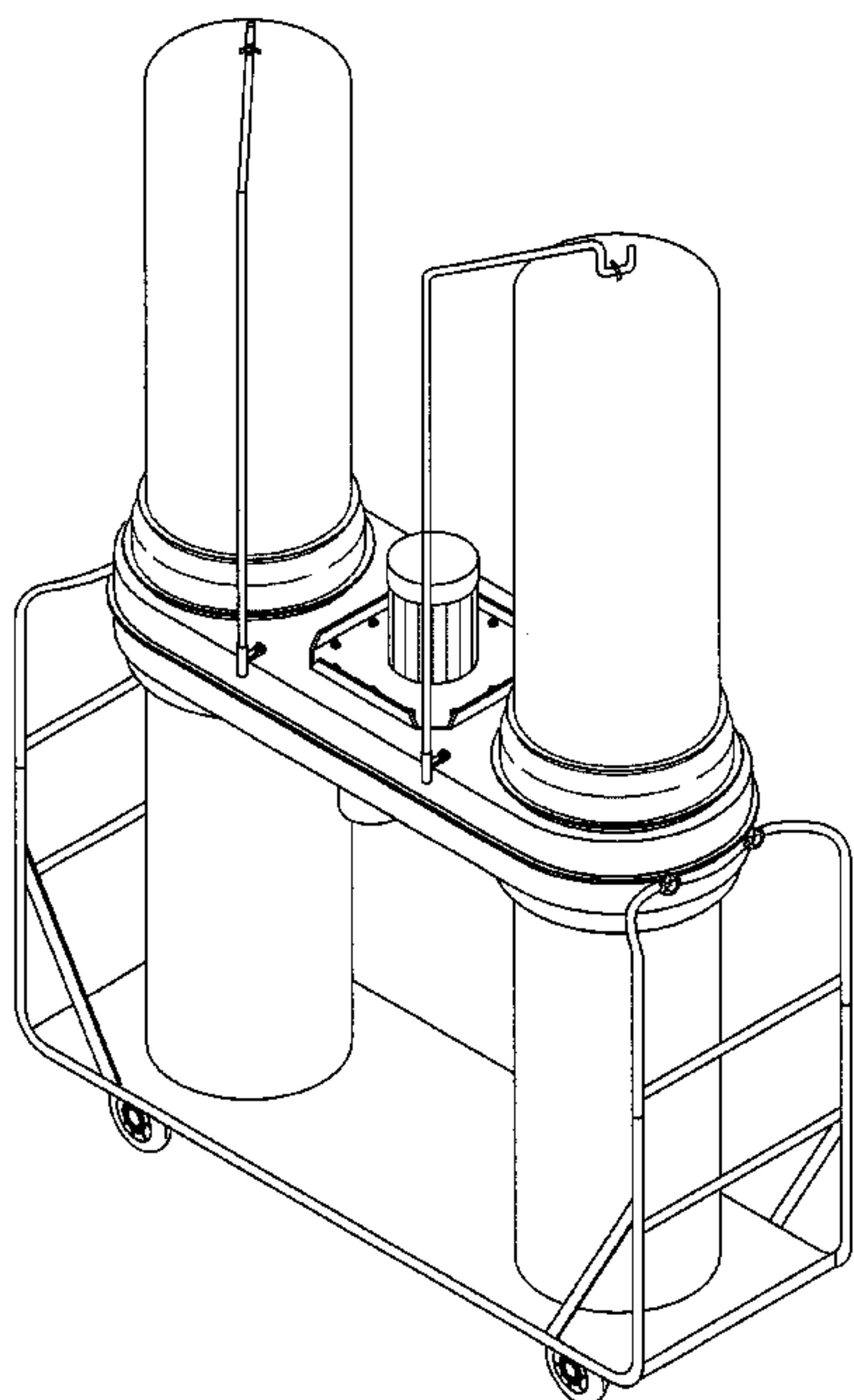
(57) **CLAIM**

I claim the ornamental design for a dust-collecting machine, as shown and described.

**DESCRIPTION**

FIG. 1 is a front perspective view of a dust-collecting machine showing my new design;  
FIG. 2 is a left side elevational view thereof;  
FIG. 3 is a top plan view thereof;  
FIG. 4 is a front elevational view thereof;  
FIG. 5 is a bottom plan view thereof;  
FIG. 6 is a right side elevational view thereof; and,  
FIG. 7 is a rear elevational view thereof.

**1 Claim, 6 Drawing Sheets**



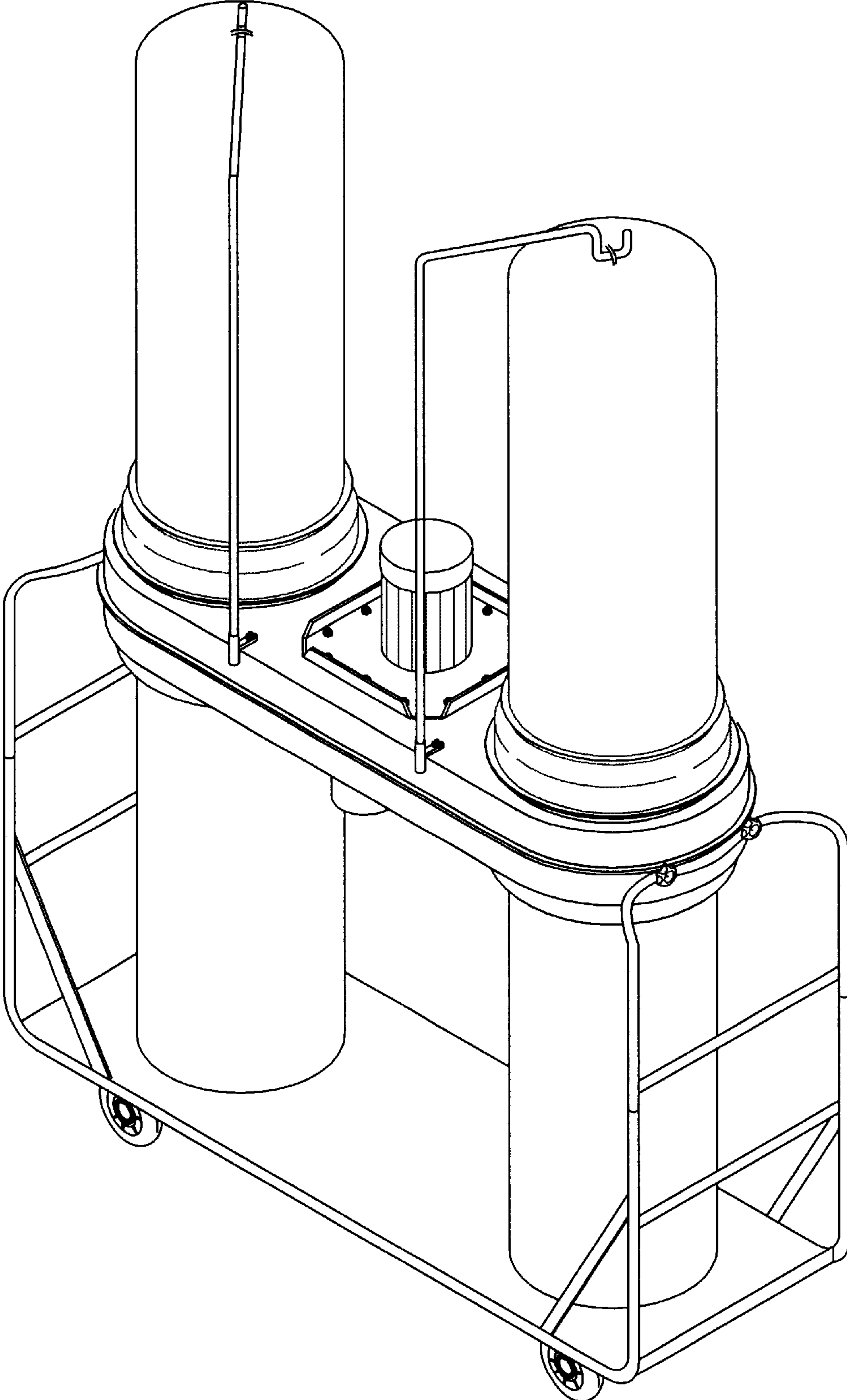


FIG. 1

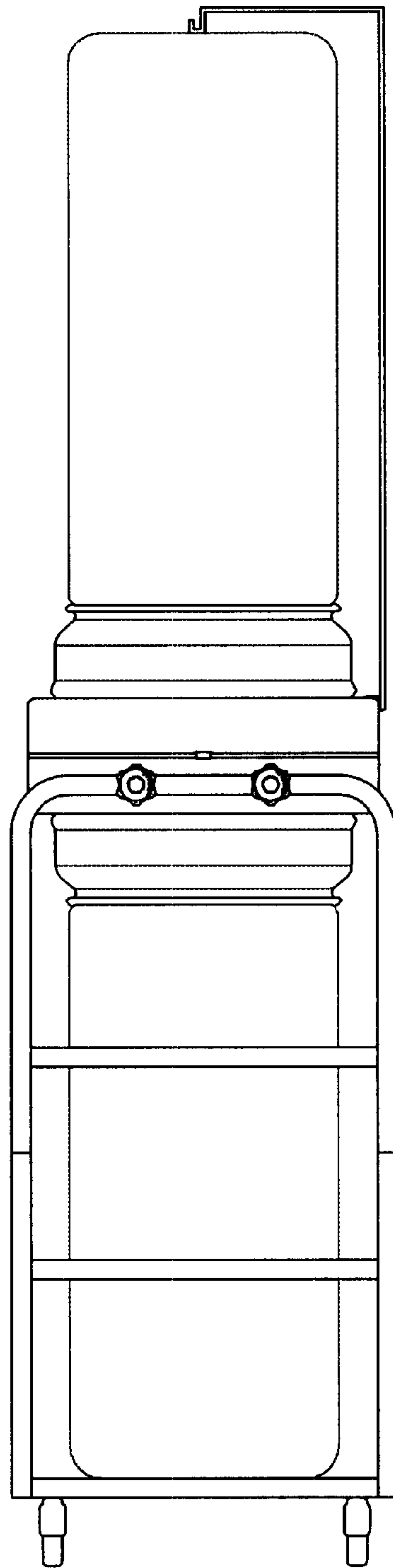


FIG. 2

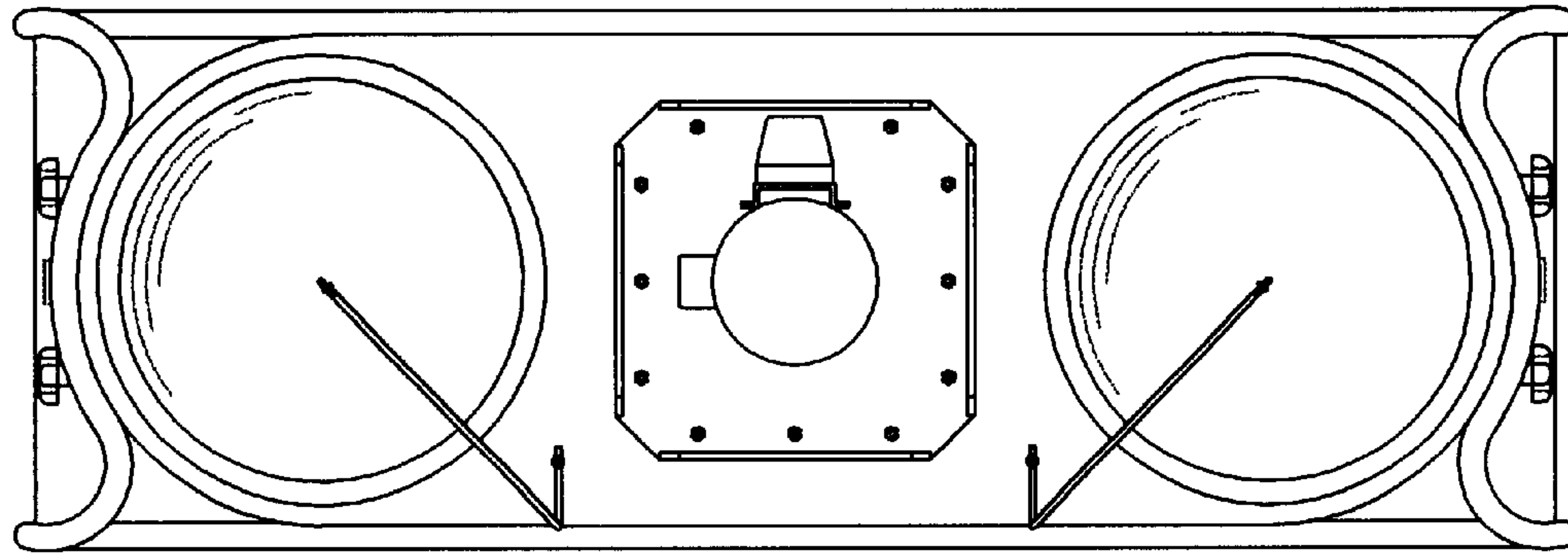


FIG. 3

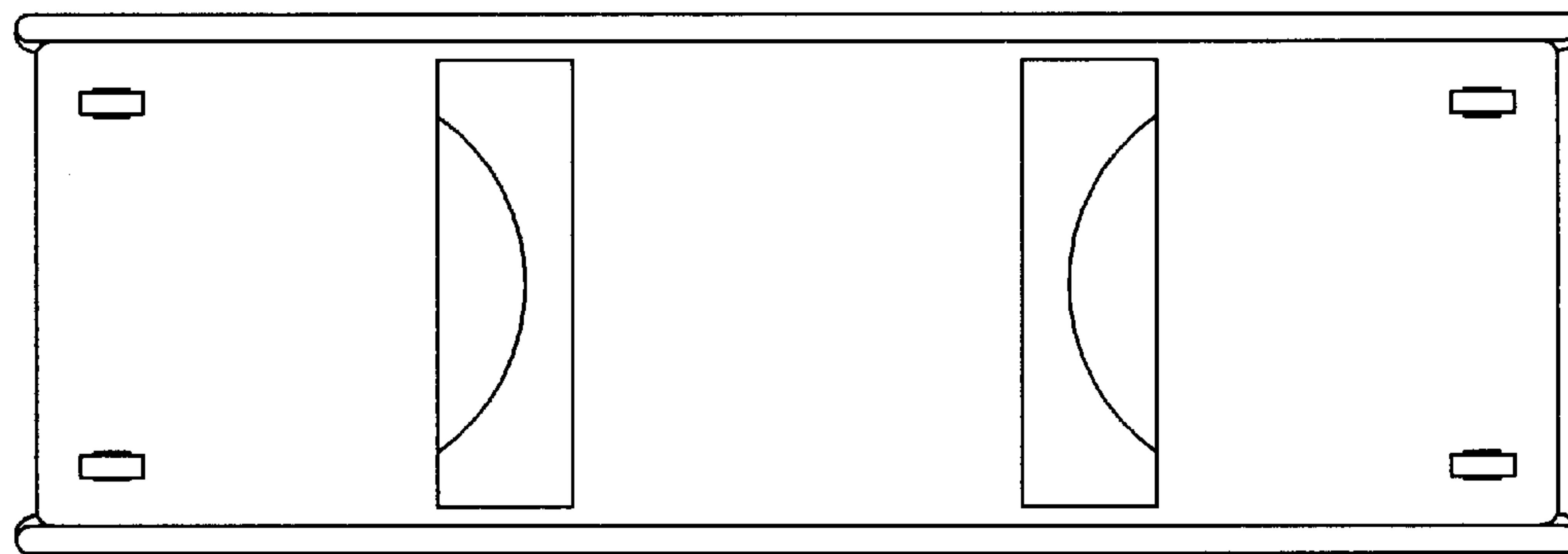


FIG. 5

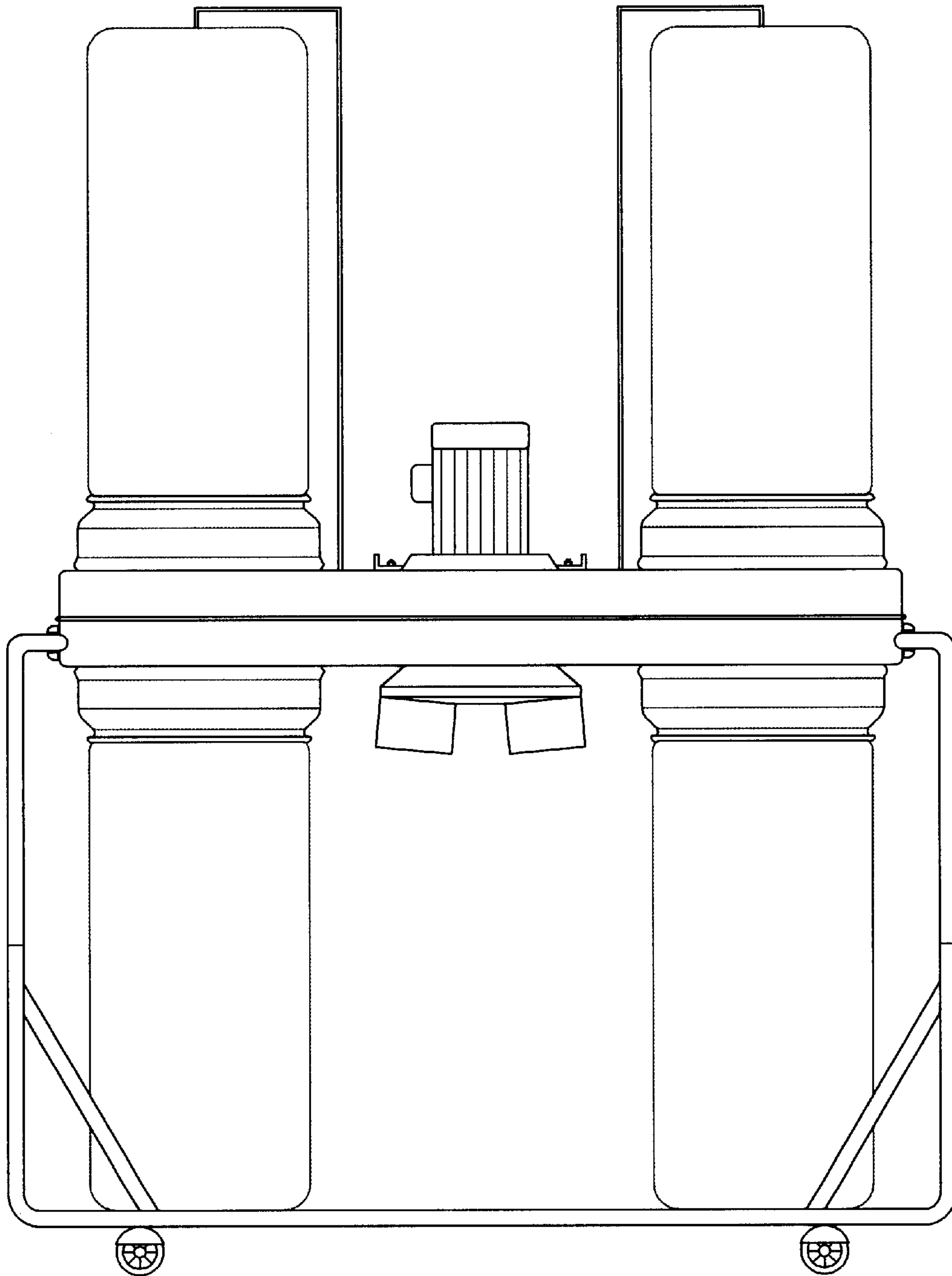


FIG. 4

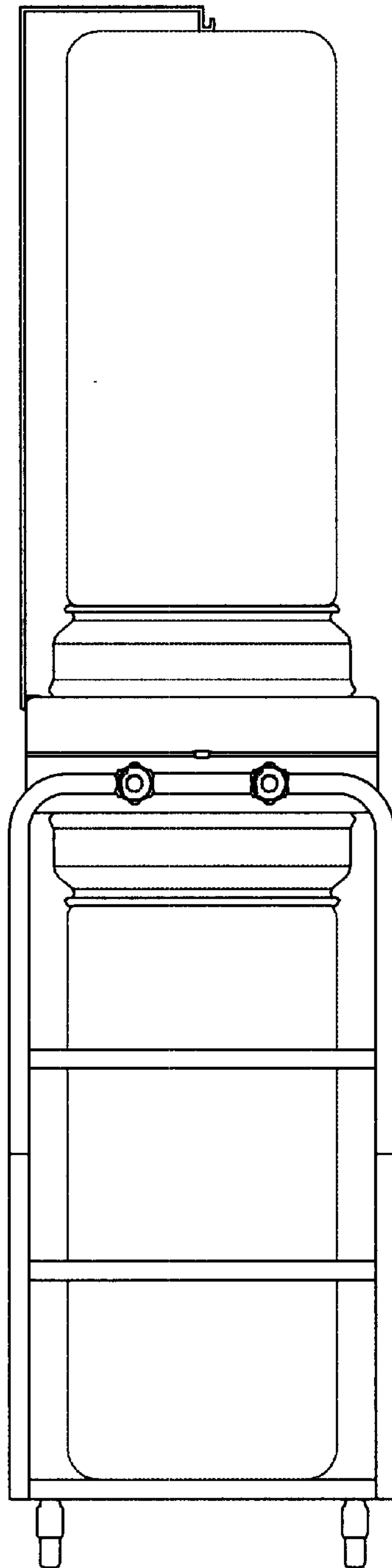


FIG. 6

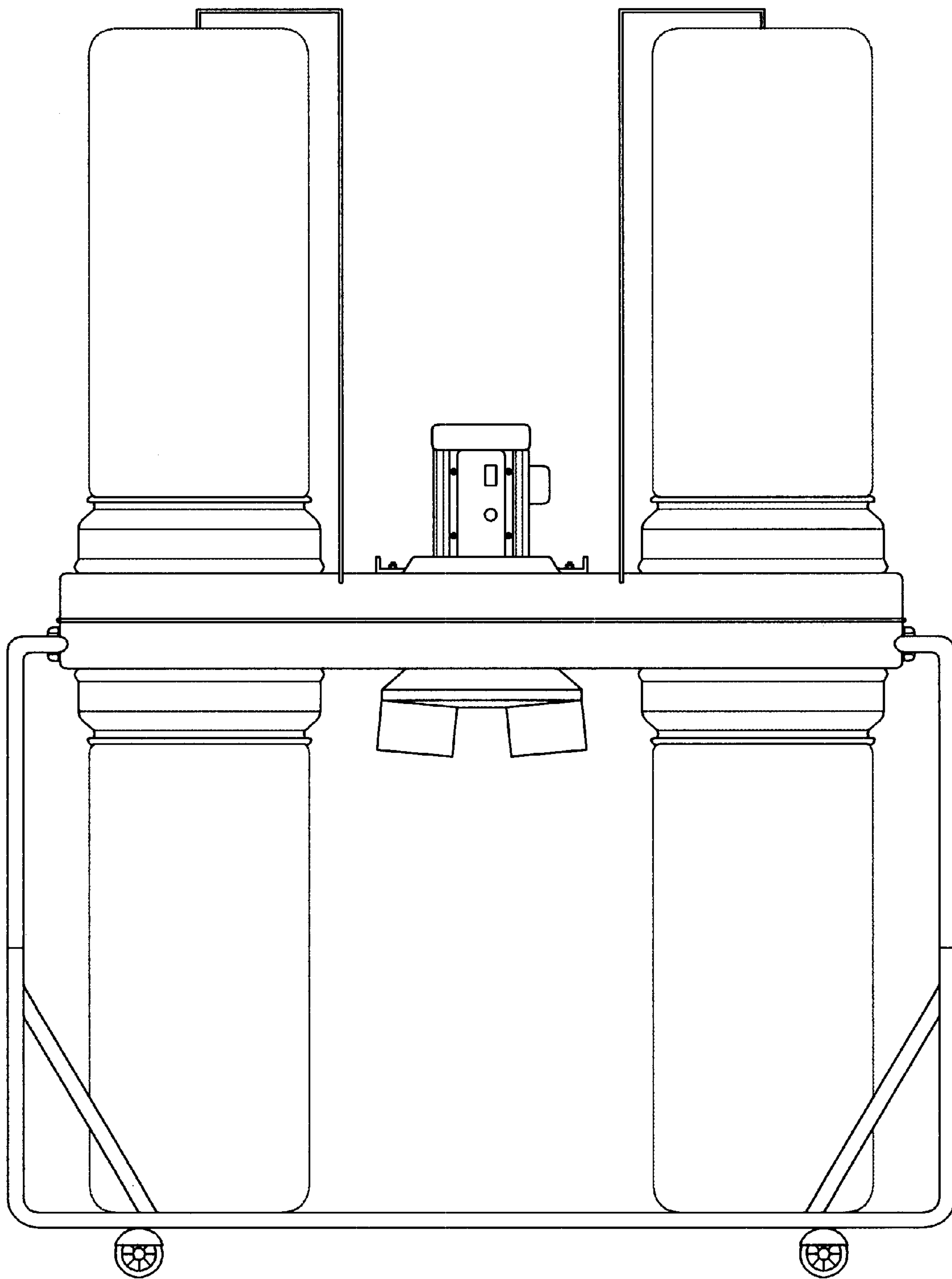


FIG. 7