

US00D501959S

(12) **United States Design Patent**  
**Greene**

(10) **Patent No.:** **US D501,959 S**

(45) **Date of Patent:** **\*\* Feb. 15, 2005**

(54) **DOG HOUSE**

(75) **Inventor:** **Michael Greene, Reno, NV (US)**

(73) **Assignee:** **Thinking Outside, L.L.C., Detroit, MI (US)**

(\*\*) **Term:** **14 Years**

(21) **Appl. No.:** **29/189,930**

(22) **Filed:** **Sep. 11, 2003**

(51) **LOC (7) Cl.** ..... **30-02**

(52) **U.S. Cl.** ..... **D30/108**

(58) **Field of Search** ..... D30/108-109,  
D30/113-114, 116, 118, 161; 119/28.5,  
165, 452-453, 474, 482, 484, 486, 496-498,  
500; D3/215; 190/107-108; 135/115-117

(56) **References Cited**

**U.S. PATENT DOCUMENTS**

- 4,006,713 A \* 2/1977 Hawley, III ..... 119/498
- D255,723 S \* 7/1980 Anderson ..... D30/108
- 4,372,251 A \* 2/1983 Keith ..... 119/482
- D307,495 S \* 4/1990 Logan, Jr. .... D30/108
- 4,976,219 A \* 12/1990 Goguen et al. .... 119/496
- D328,505 S \* 8/1992 Perry ..... D30/108

- D366,543 S \* 1/1996 Lopes ..... D30/161
- 6,067,939 A \* 5/2000 Tominaga ..... 119/500
- 6,487,990 B1 \* 12/2002 McNew ..... 119/498
- D488,266 S \* 4/2004 VanSkiver ..... D30/108

**OTHER PUBLICATIONS**

Doctors Foster & Smith catalog; p. 62; Pet Zone Doghouses; #AE-9154 Tuff'n Rugged dog house.\*

\* cited by examiner

*Primary Examiner*—Cathy Anne MacCormac

(74) *Attorney, Agent, or Firm*—Townsend and Townsend and Crew LLP

(57) **CLAIM**

The ornamental design for a dog house, as shown and described.

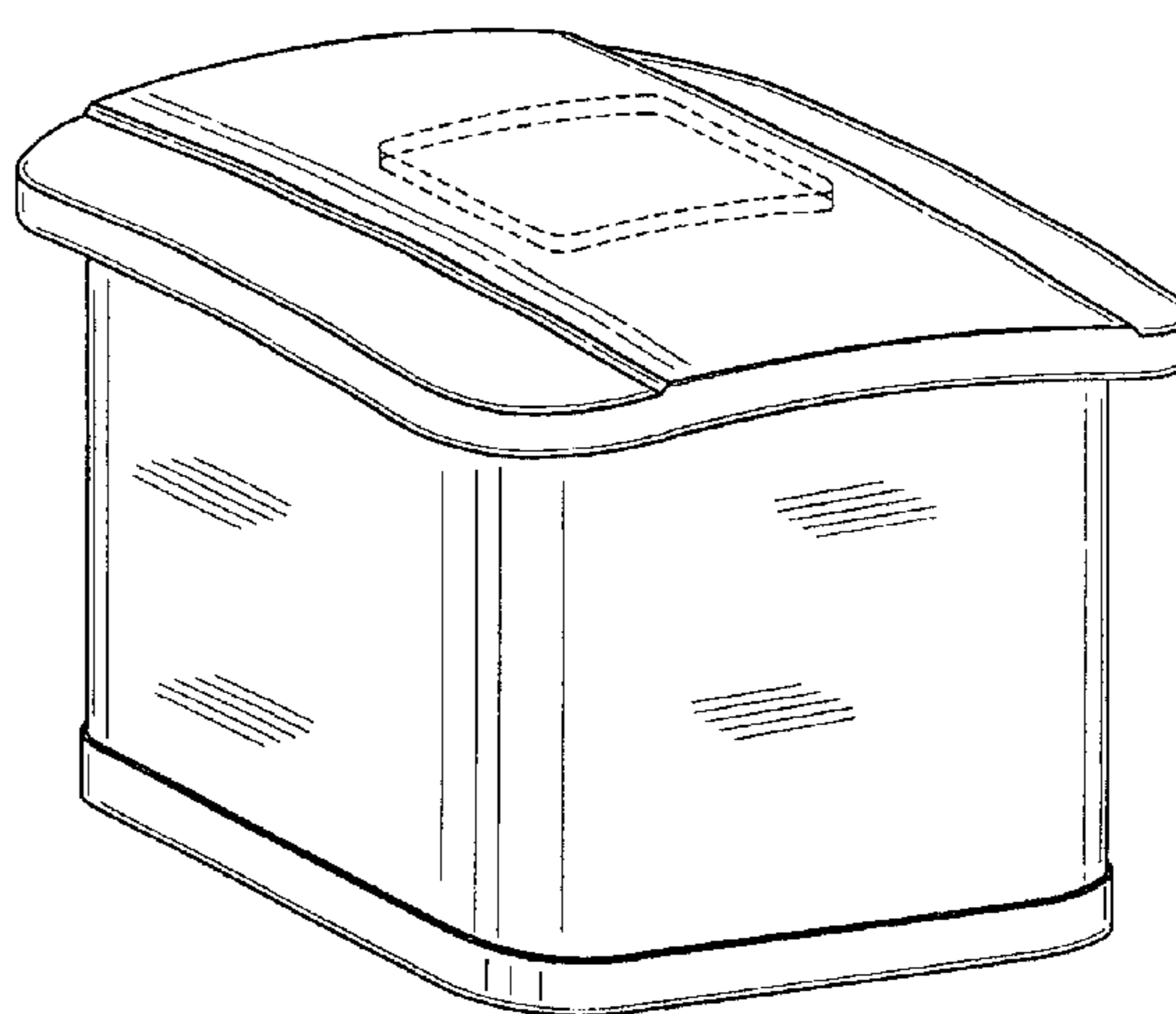
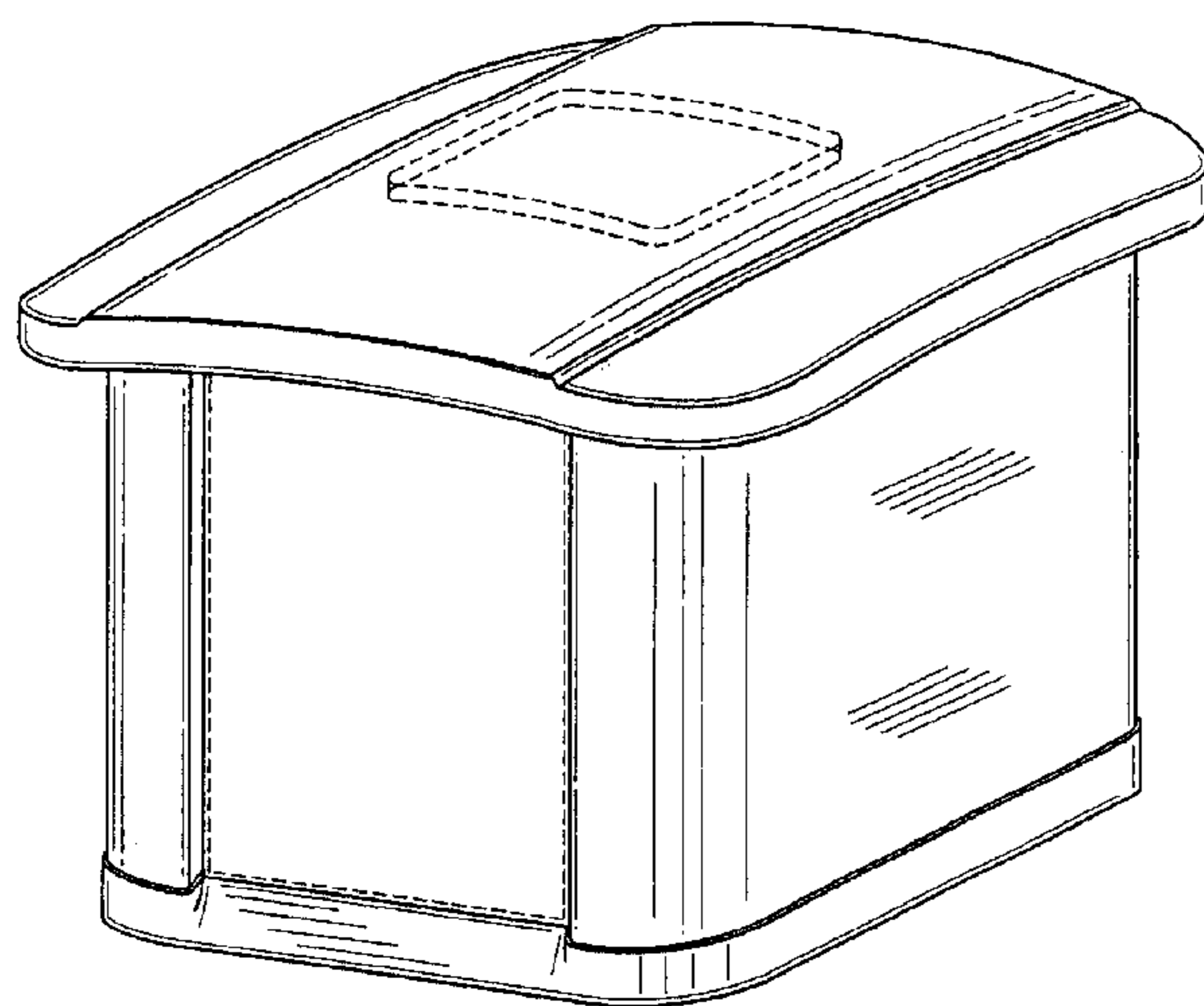
**DESCRIPTION**

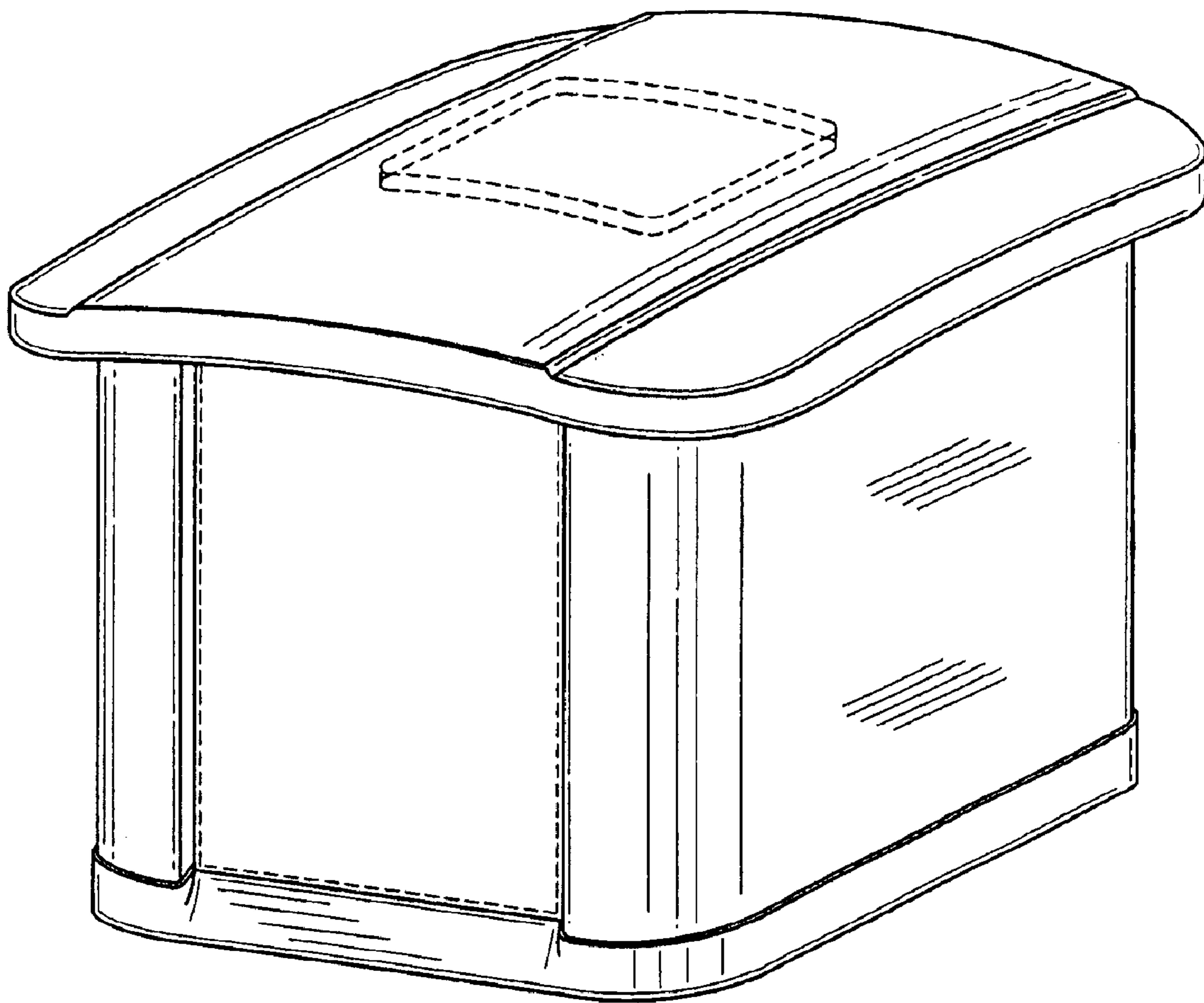
FIG. 1 is a front and right side perspective view of a dog house showing my new design; and,

FIG. 2 is a rear and right side perspective view thereof.

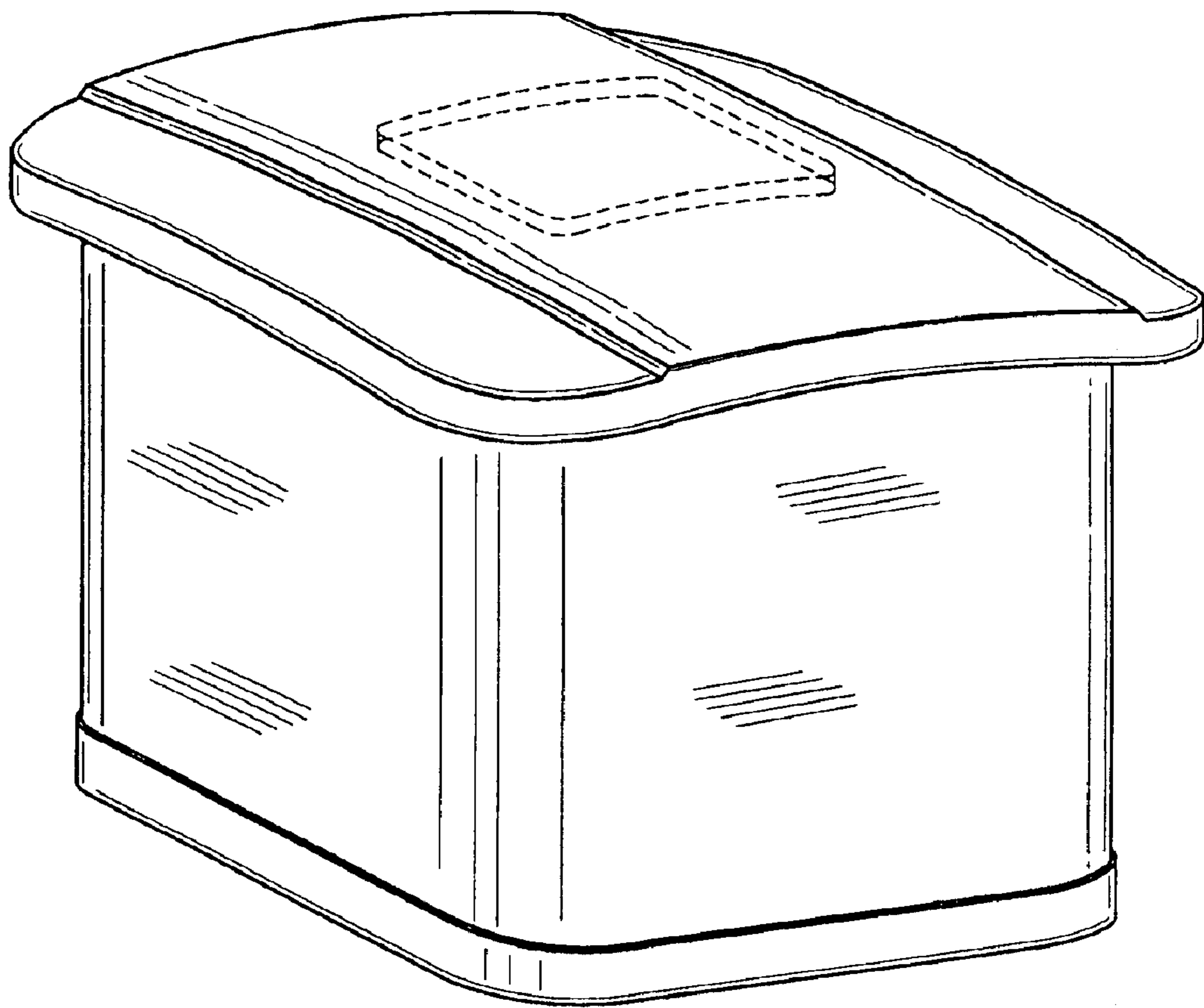
The broken lines are for purposes of illustration only and form no part of the claimed design.

**1 Claim, 2 Drawing Sheets**





*FIG. 1*



*FIG. 2*