

US00D501956S

(12) **United States Design Patent**
Grepper et al.

(10) **Patent No.: US D501,956 S**

(45) **Date of Patent: ** Feb. 15, 2005**

(54) **HELMET RING**

(75) Inventors: **Theo H. Grepper, Zurich (CH);
Martin Knoepfli, Fribourg (CH)**

(73) Assignee: **PLIM Corporation LTD,
Bern-Liebefield (CH)**

(**) Term: **14 Years**

(21) Appl. No.: **29/143,403**

(22) Filed: **Jun. 13, 2001**

(30) **Foreign Application Priority Data**

Dec. 13, 2000 (WO) DM/055 536
Jan. 29, 2001 (WO) DM/055 332

(51) **LOC (7) Cl. 29-02**

(52) **U.S. Cl. D29/122**

(58) **Field of Search D29/102-107,
D29/122; 2/9, 411, 414, 418-420, 422,
424, 425**

(56) **References Cited**

U.S. PATENT DOCUMENTS

2,205,742 A * 6/1940 Bowers 2/8

2,926,406 A * 3/1960 Edwards et al. 24/68 B
4,942,628 A * 7/1990 Freund 2/416
5,357,654 A * 10/1994 Hsing-Chi 24/68 B
6,314,588 B1 * 11/2001 Fang 2/418

* cited by examiner

Primary Examiner—Ruth McInroy

(74) *Attorney, Agent, or Firm*—Vidas, Arrett & Steinkraus
P.A.

(57) **CLAIM**

The ornamental design for a helmet ring, as shown.

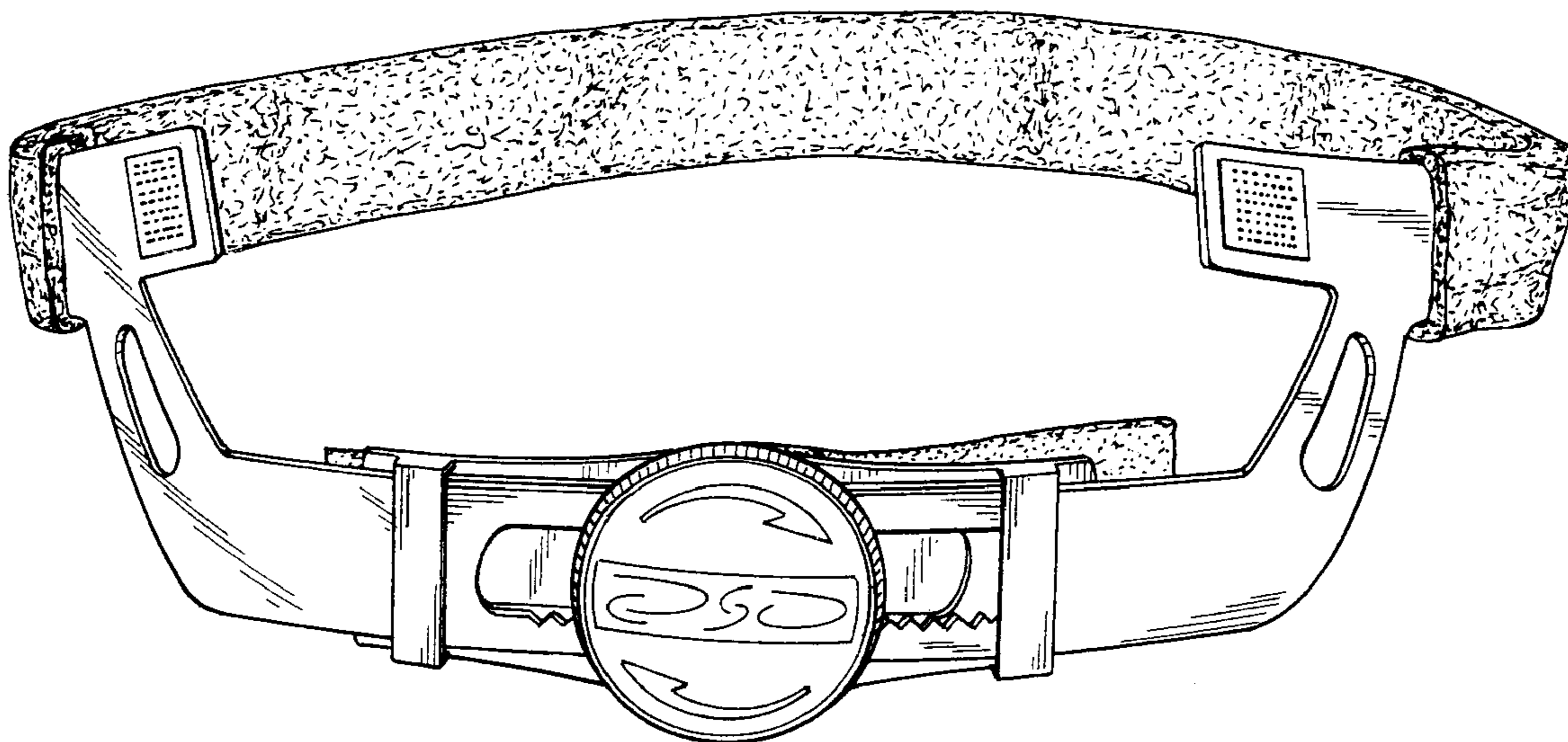
DESCRIPTION

FIG. 1 is a rear and top perspective view of a helmet ring showing our new design;

FIG. 2 is a rear and left side perspective view thereof; and,

FIG. 3 is an enlarged partial rear view thereof.

1 Claim, 3 Drawing Sheets



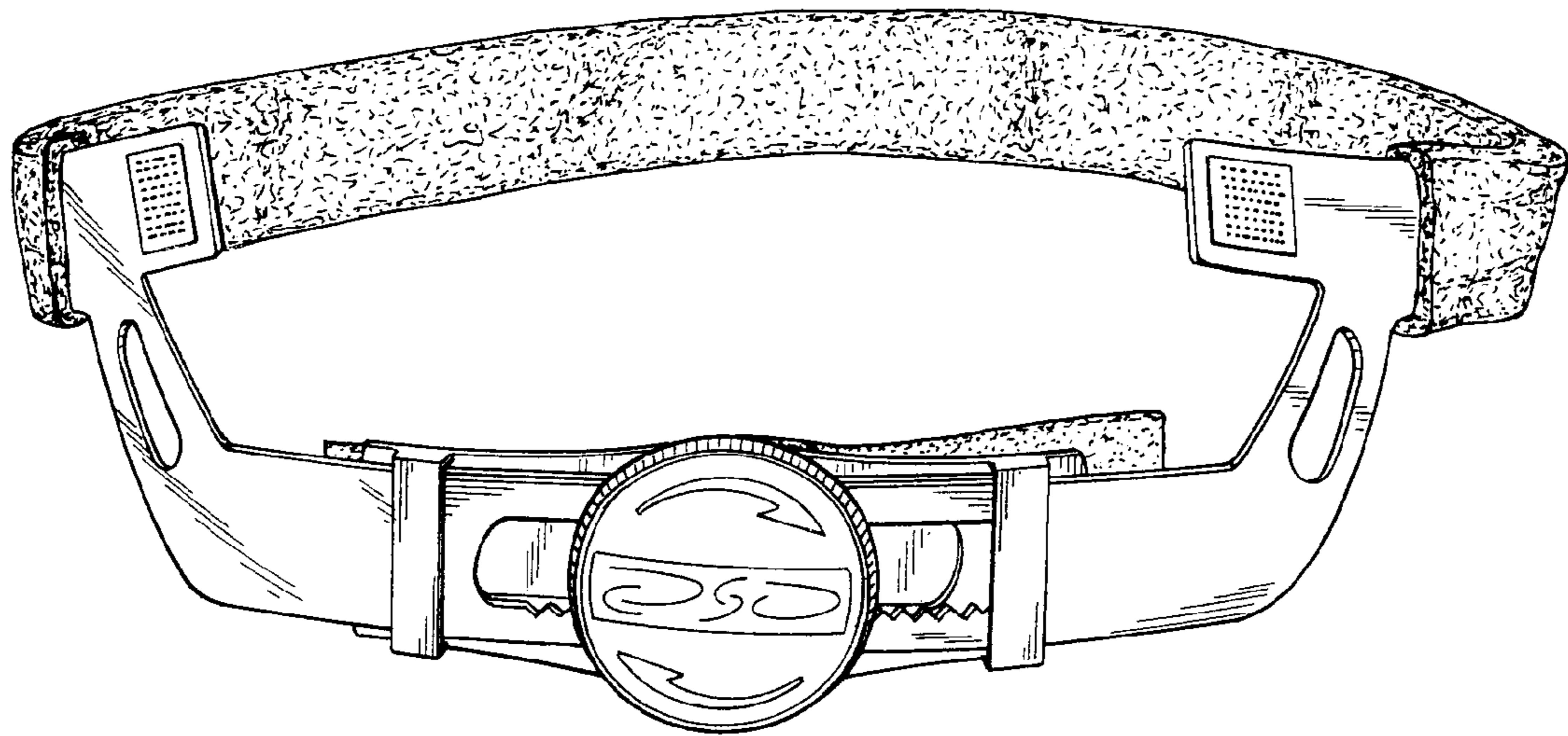


Fig. 1

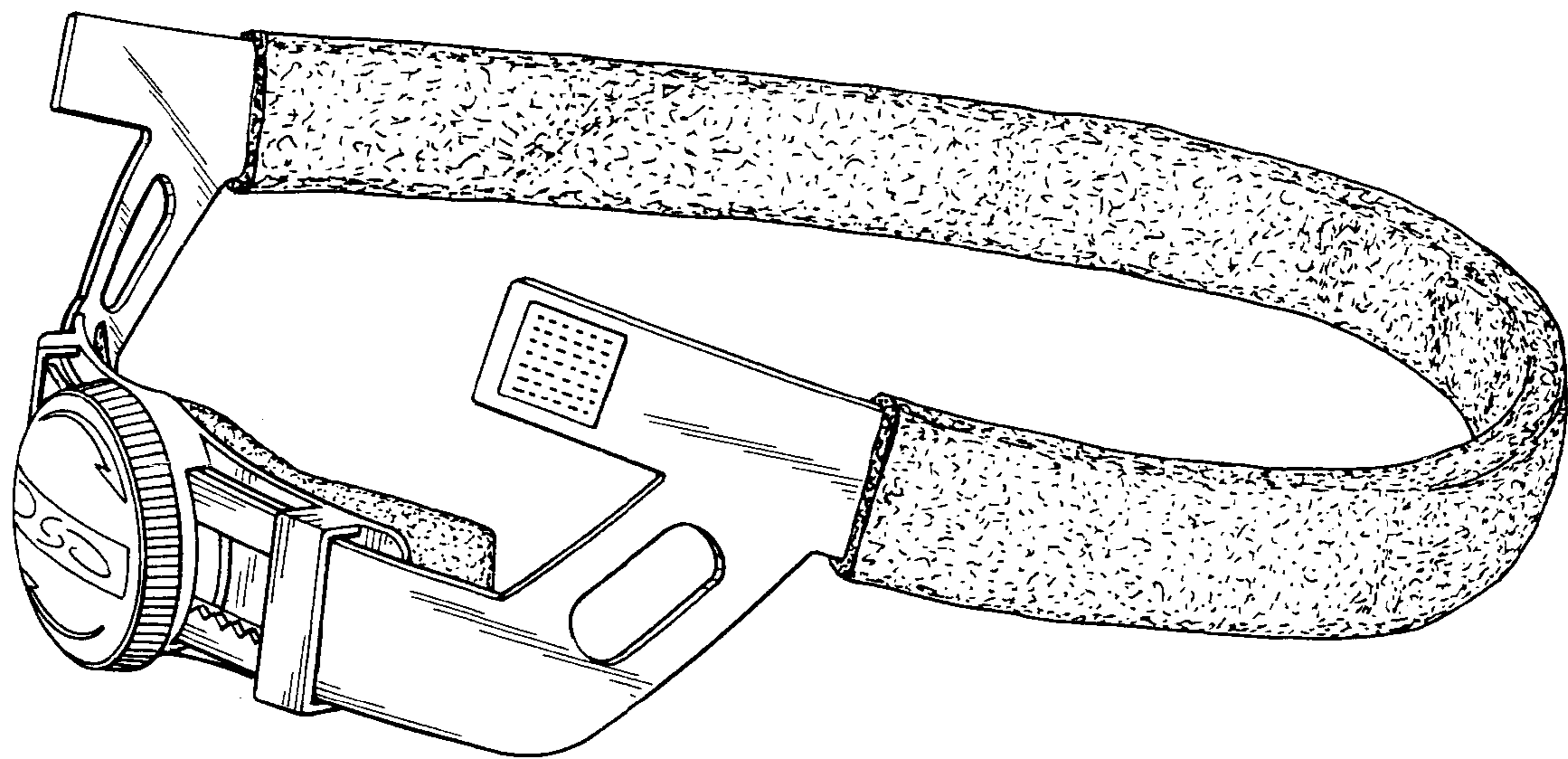


Fig. 2

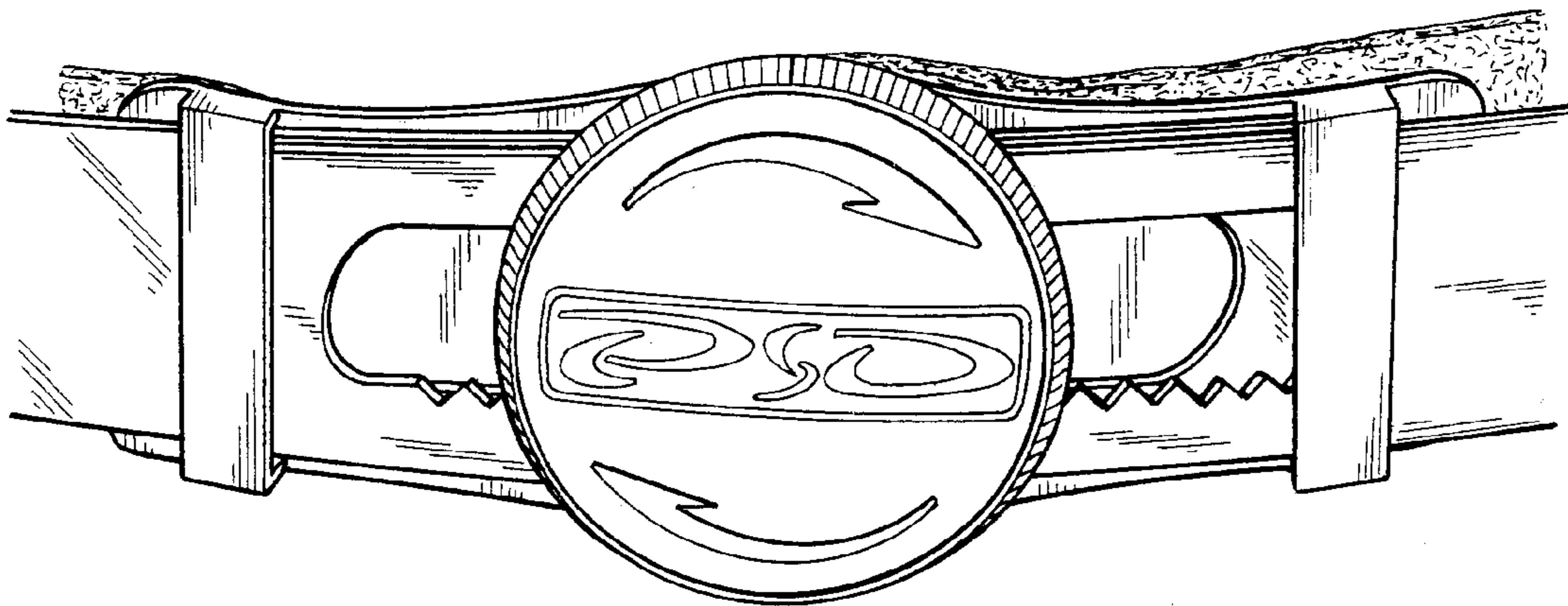


Fig. 3

UNITED STATES PATENT AND TRADEMARK OFFICE
CERTIFICATE OF CORRECTION

PATENT NO. : Des. 501,956 S
DATED : February 15, 2005
INVENTOR(S) : Grepper et al.

Page 1 of 1

It is certified that error appears in the above-identified patent and that said Letters Patent is hereby corrected as shown below:

Title page.

Item [73], Assignee, delete “**PLIM Corporation LTD**” and insert -- **PLIM Cooperation LTD. --.**

Signed and Sealed this

Twenty-third Day of May, 2006

A handwritten signature in black ink on a light gray dotted background. The signature reads "Jon W. Dudas" in a cursive style.

JON W. DUDAS

Director of the United States Patent and Trademark Office