

US00D501946S

(12) **United States Design Patent**
Haugaard et al.

(10) **Patent No.: US D501,946 S**
(45) **Date of Patent: ** Feb. 15, 2005**

(54) **LIGHTING FIXTURE WITH UPWARD ARCHING ARM**

(75) Inventors: **Eric J. Haugaard**, Kenosha, WI (US);
Kurt S. Wilcox, Libertyville, IL (US);
Robert D. Giese, Kenosha, WI (US)

(73) Assignee: **Ruud Lighting, Inc.**, Racine, WI (US)

(**) Term: **14 Years**

(21) Appl. No.: **29/205,017**

(22) Filed: **May 7, 2004**

(51) **LOC (7) Cl.** **26-05**

(52) **U.S. Cl.** **D26/71; D26/67; D26/92**

(58) **Field of Search** D26/67, 68, 71,
D26/72, 80-82, 85-87, 92, 128-132, 145-147,
138, 155, 156; 362/147, 153, 153.1, 370,
431, 432, 404-408; 248/219.2

(56) **References Cited**

U.S. PATENT DOCUMENTS

1,970,829 A	*	8/1934	Wise	362/282
3,050,620 A	*	8/1962	Schlosser et al.	362/431
D201,909 S		8/1965	Harling	
D209,081 S		10/1967	Netland	
D219,546 S	*	12/1970	Kaiser et al.	D26/68
D329,104 S	*	9/1992	Dieperink	D26/87
D348,531 S		7/1994	Mehaffey et al.	
5,386,354 A	*	1/1995	Osteen	362/258

D391,659 S		3/1998	Gaskins et al.	
D417,303 S		11/1999	Rahn	
D427,704 S		7/2000	Bossy	
D442,313 S	*	5/2001	Wojtkowiak et al. D26/71
D447,590 S		9/2001	Raouf et al.	

OTHER PUBLICATIONS

Aeris, Architectural Area & Roadway Lighting, Lithonia Lighting, An Acuity Brands Company, 2002.

* cited by examiner

Primary Examiner—Clare E Heflin

(74) *Attorney, Agent, or Firm*—Jansson, Shupe & Munger, Ltd.

(57) **CLAIM**

The ornamental design for a lighting fixture with upward arching arm, as shown and described.

DESCRIPTION

FIG. 1 is a right side elevation view, the left side being a mirror image.

FIG. 2 is a top plan view.

FIG. 3 is a front elevation view.

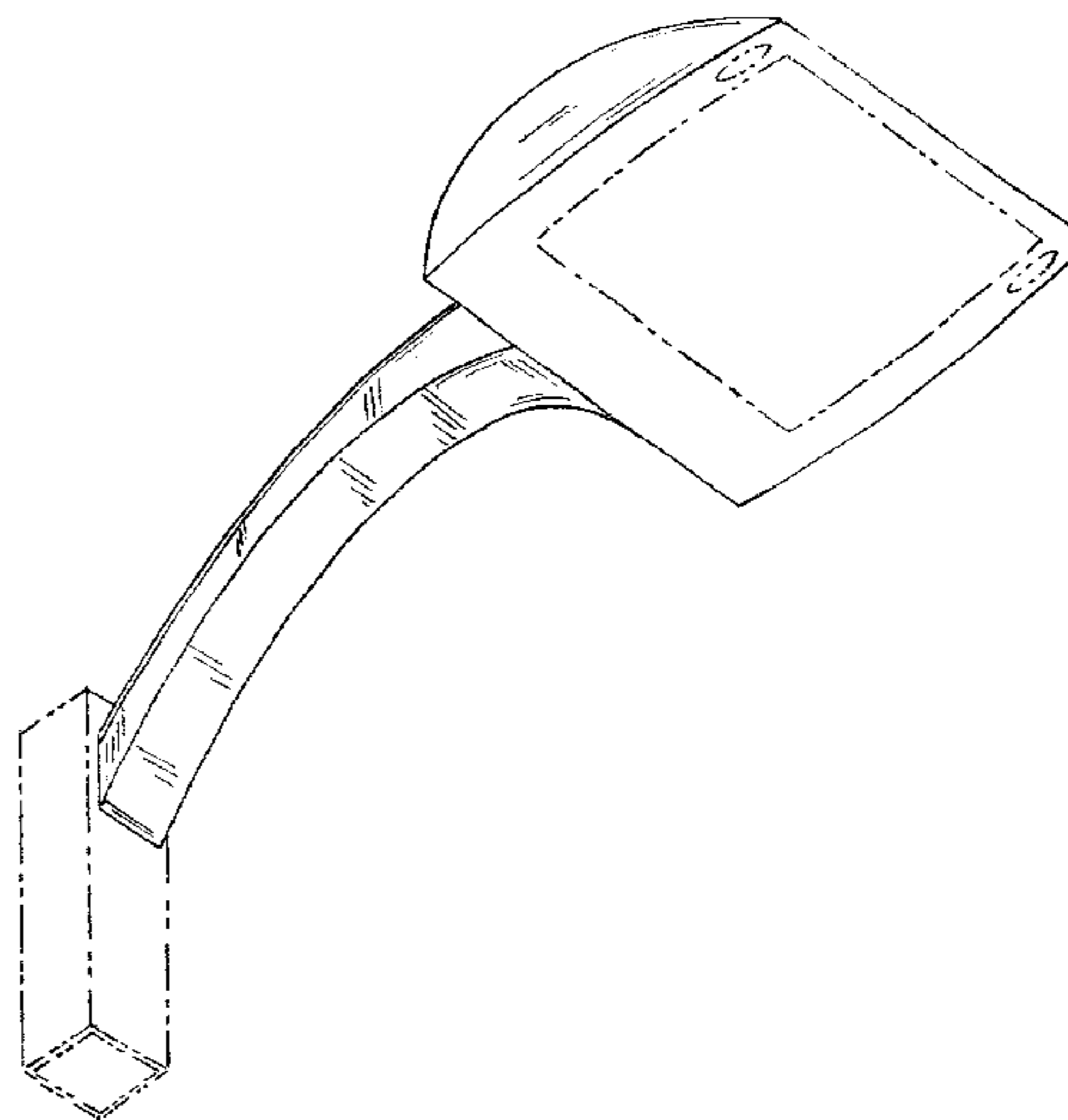
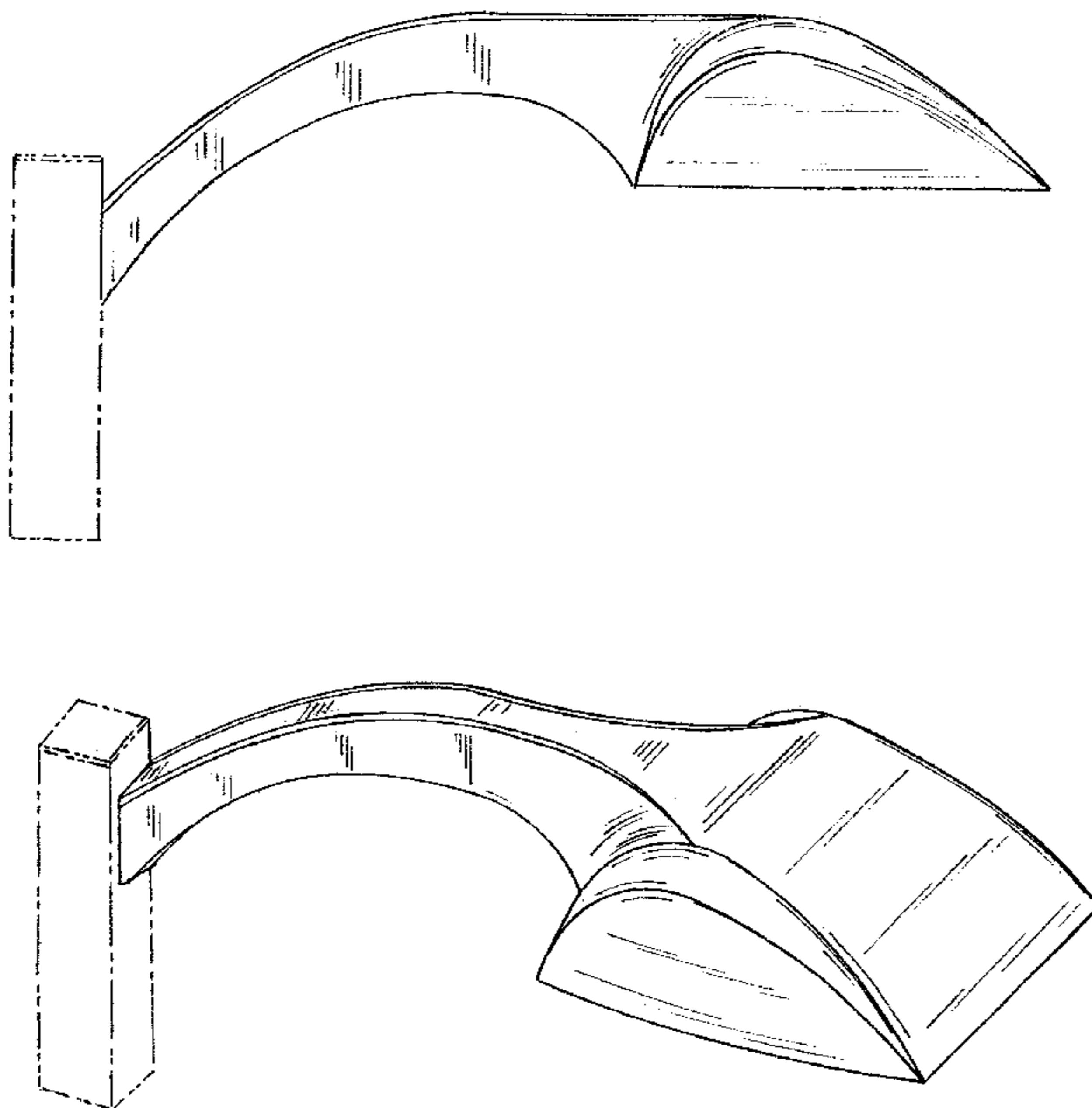
FIG. 4 is a bottom plan view.

FIG. 5 is a bottom perspective view; and,

FIG. 6 is a top perspective view.

The broken lines are provided for illustrative purposes only and form no part of the claimed design.

1 Claim, 3 Drawing Sheets



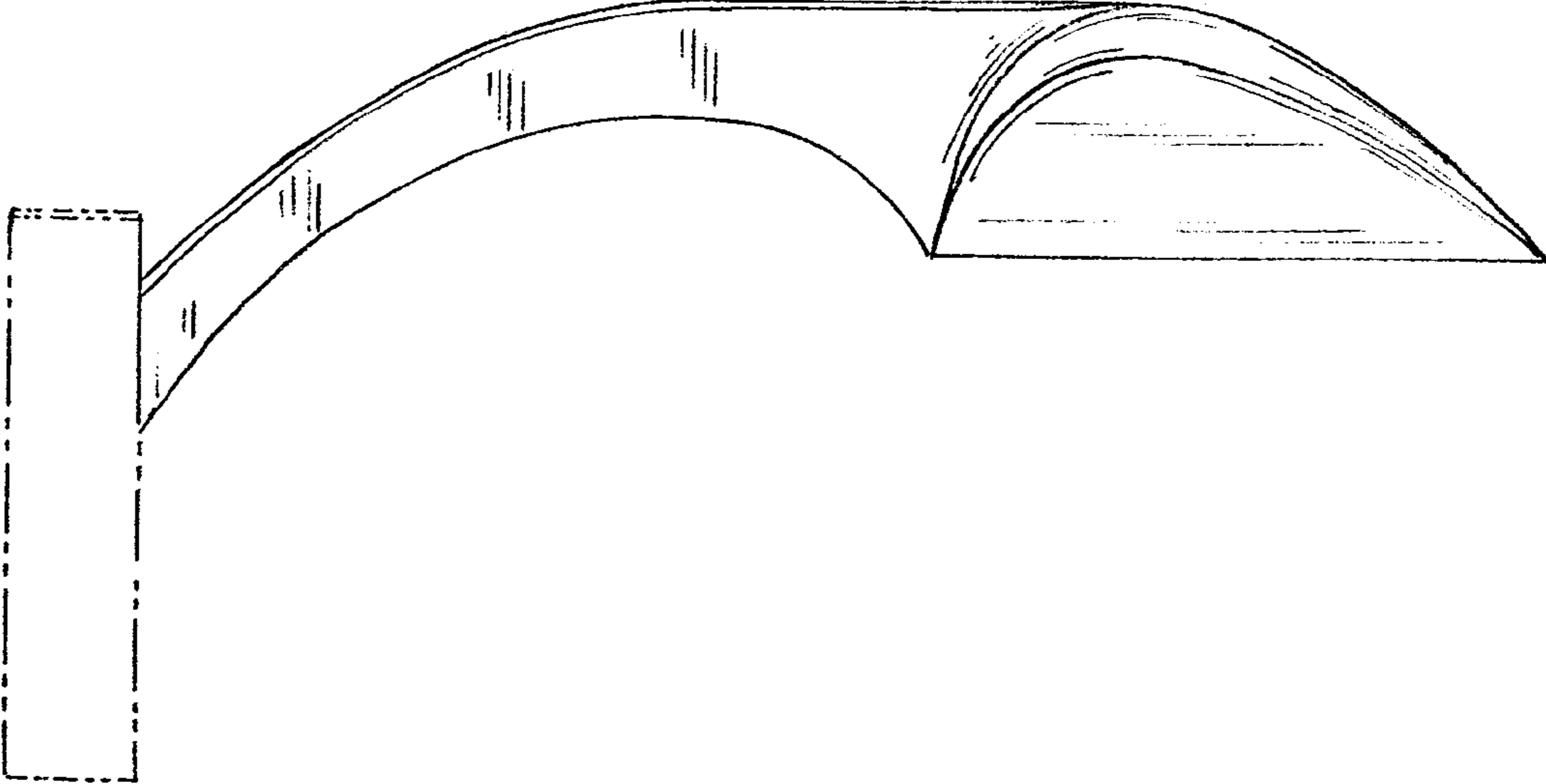


FIG. 1

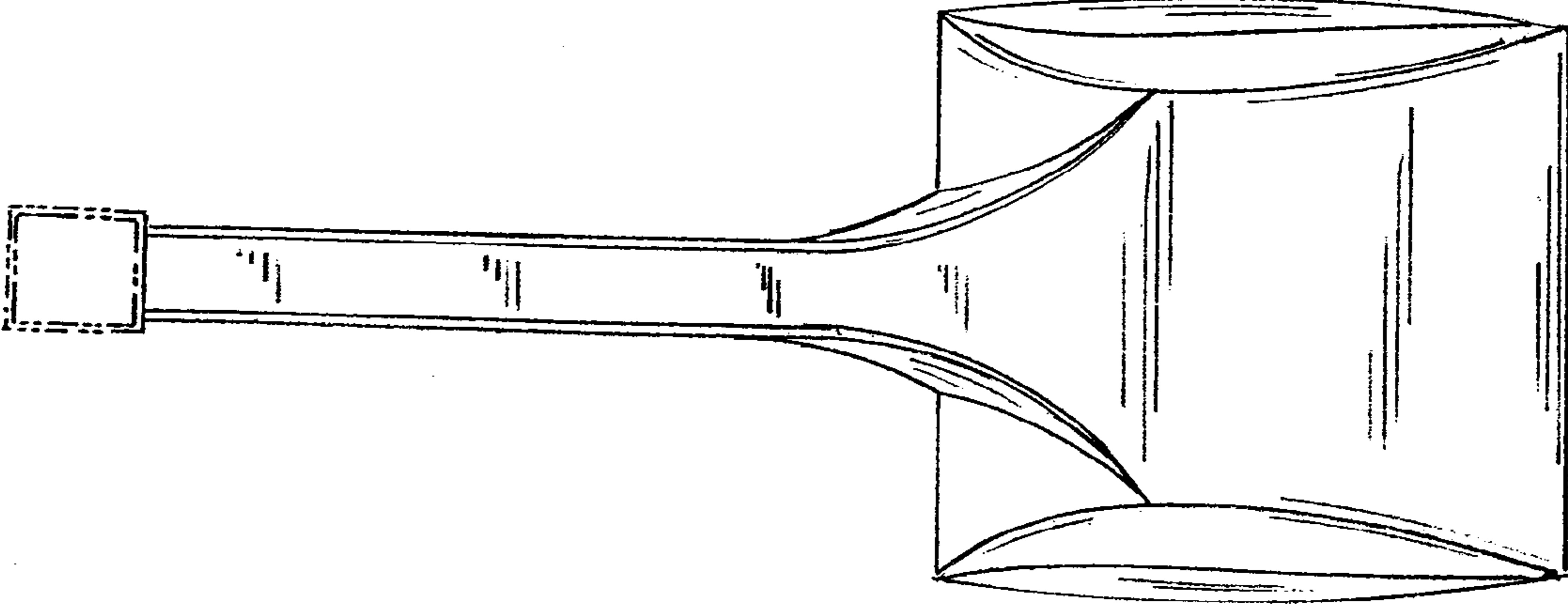


FIG. 2

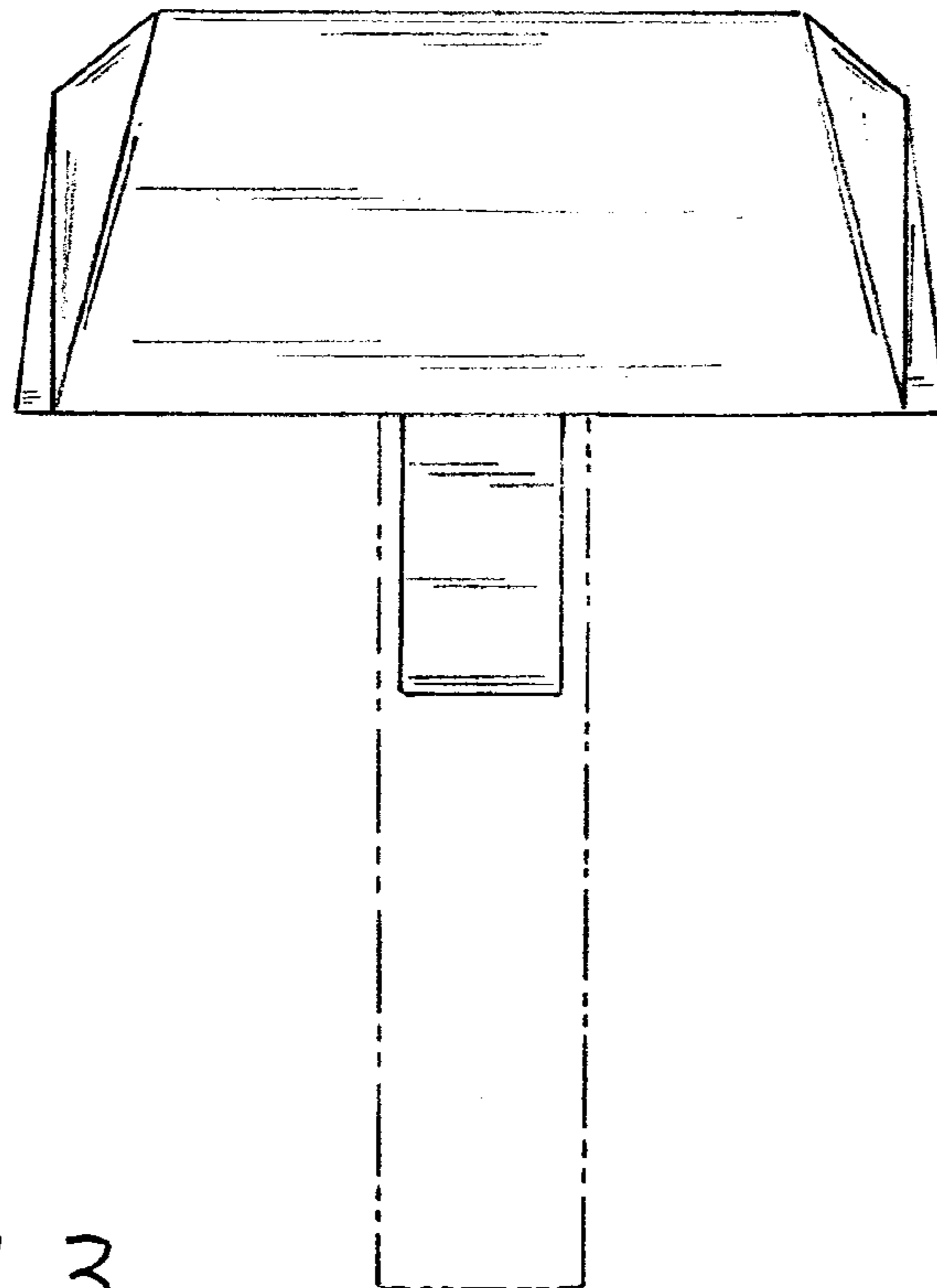


FIG. 3

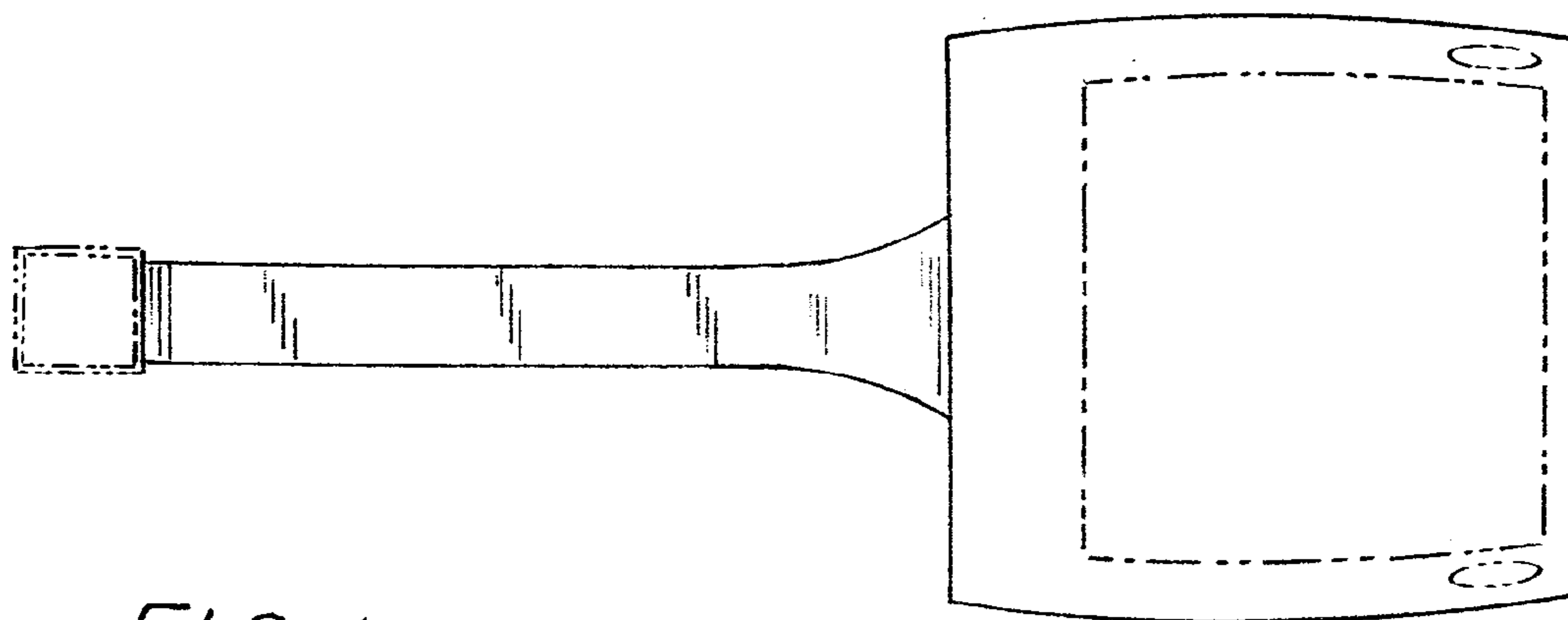


FIG. 4

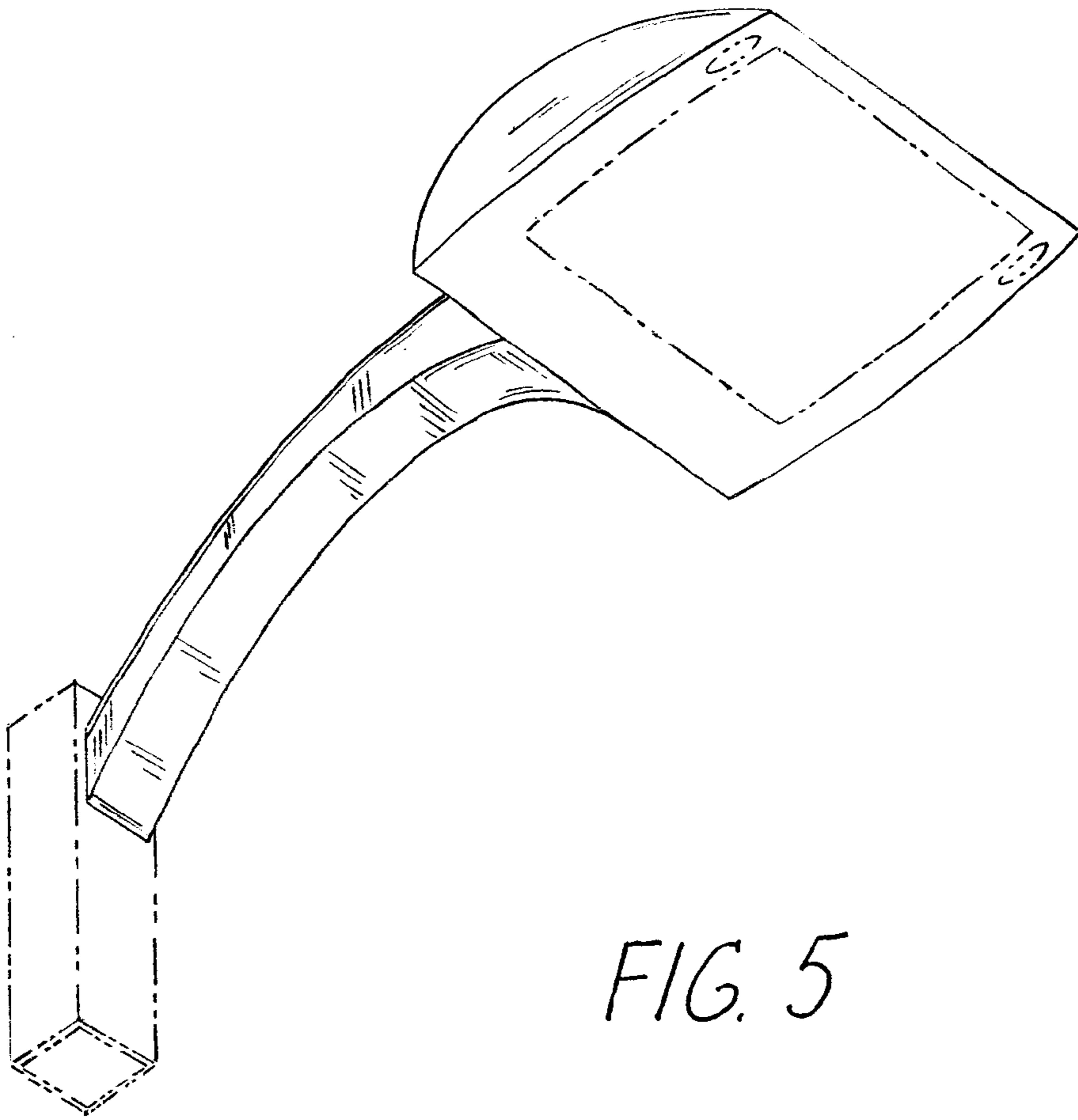


FIG. 5

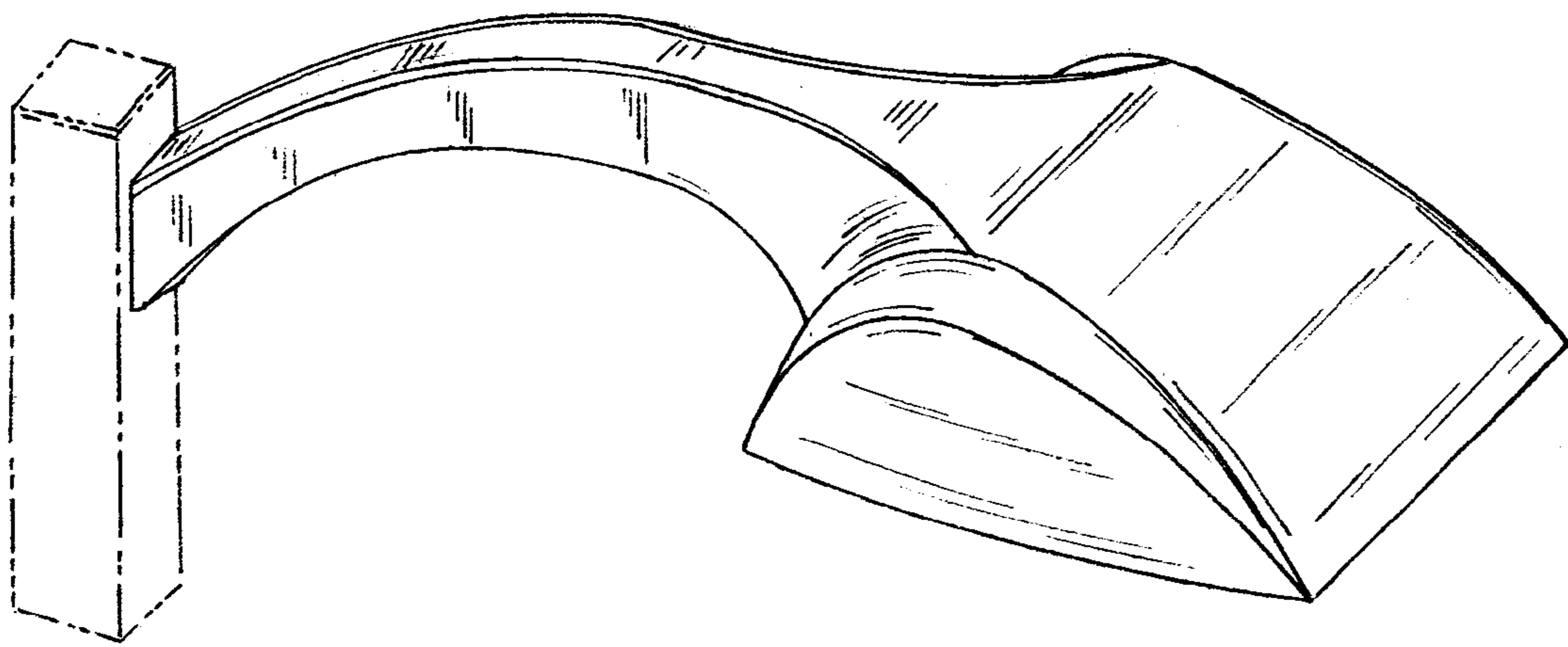


FIG. 6