

US00D501944S

(12) **United States Design Patent** (10) **Patent No.:** **US D501,944 S**  
**Friedman et al.** (45) **Date of Patent:** **\*\* Feb. 15, 2005**

(54) **LIGHT FIXTURE**

(75) Inventors: **Frank Friedman**, Mill Valley, CA (US); **William T. Gendron**, Alameda, CA (US)

(73) Assignee: **Acuity Brands, Inc.**, Atlanta, GA (US)

(\*\*) Term: **14 Years**

(21) Appl. No.: **29/194,225**

(22) Filed: **Nov. 19, 2003**

(51) **LOC (7) Cl.** ..... **26-05**

(52) **U.S. Cl.** ..... **D26/71; D26/87; D26/92**

(58) **Field of Search** ..... D26/67, 68, 71, D26/72, 80-82, 85-87, 92, 128-132, 145-147, 138, 155, 156; 362/147, 153, 153.1, 370, 431, 432, 404-408; 248/219.2

(56) **References Cited**

**U.S. PATENT DOCUMENTS**

D178,075 S	*	6/1956	Manley	.....	D26/104
3,007,038 A	*	10/1961	Anisfield	.....	362/243
D201,765 S	*	7/1965	Mox	.....	D26/71
D213,391 S	*	2/1969	Bruno	.....	D26/86
D236,024 S	*	7/1975	Stentz	.....	D26/67
D308,261 S	*	5/1990	Shemitz	.....	D26/87
D320,461 S	*	10/1991	Pagani et al.	.....	D26/87
D352,797 S	*	11/1994	Mehaffey	.....	D26/85
D381,762 S	*	7/1997	Compton	.....	D26/87
D385,643 S	*	10/1997	Brohard et al.	.....	D26/71
D419,258 S	*	1/2000	Pfister, deceased	.....	D26/87

**OTHER PUBLICATIONS**

U.S. Patent Design Application for a Light Fixture forwarded to the U.S. Patent and Trademark Office on Jul. 29, 2004 (U.S. Appl. No. 29/210,430).

U.S. Appl. No. 29/194,854, filed Dec. 1, 2003.

U.S. Appl. No. 29/194,997, filed Dec. 3, 2003.

\* cited by examiner

*Primary Examiner*—Clare E Heflin

(74) *Attorney, Agent, or Firm*—Fulbright & Jaworski L.L.P.

(57) **CLAIM**

The ornamental design for a light fixture, as shown and described.

**DESCRIPTION**

FIG. 1 is a perspective view of a first embodiment of a light fixture of our design.

FIG. 2 is a side view of the light fixture of FIG. 1, the other side view being a mirror image of the side view of FIG. 2.

FIG. 3 is a front view of the light fixture of FIG. 1.

FIG. 4 is a top view of the light fixture of FIG. 1.

FIG. 5 is a bottom view of the light fixture of FIG. 1.

FIG. 6 is a perspective view of a second embodiment of a light fixture of our design.

FIG. 7 is a side view of the light fixture of FIG. 6, the other side being a mirror image of the side view of FIG. 7.

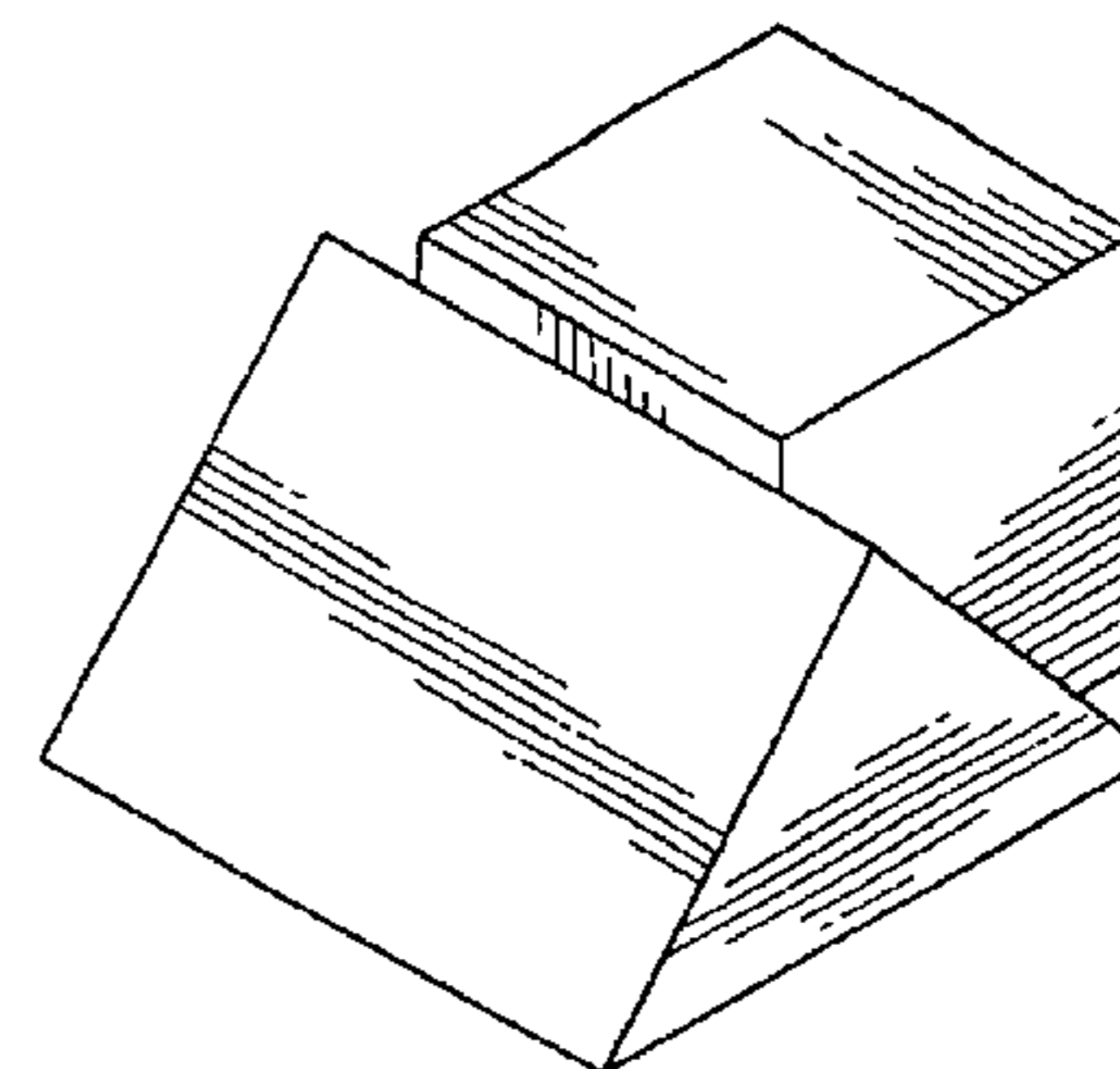
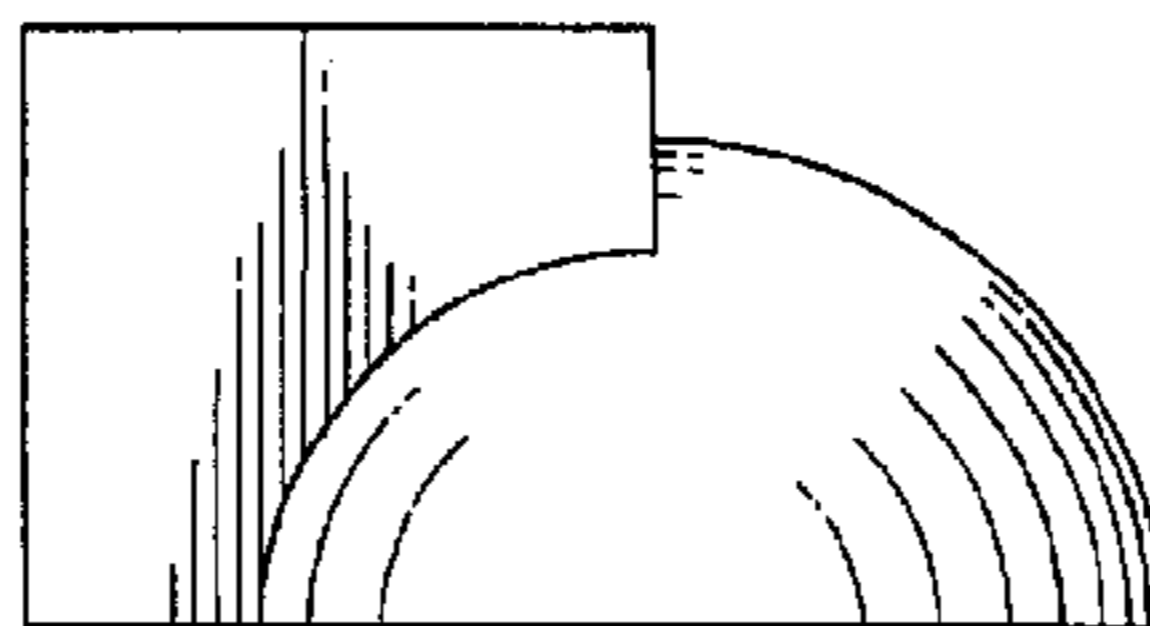
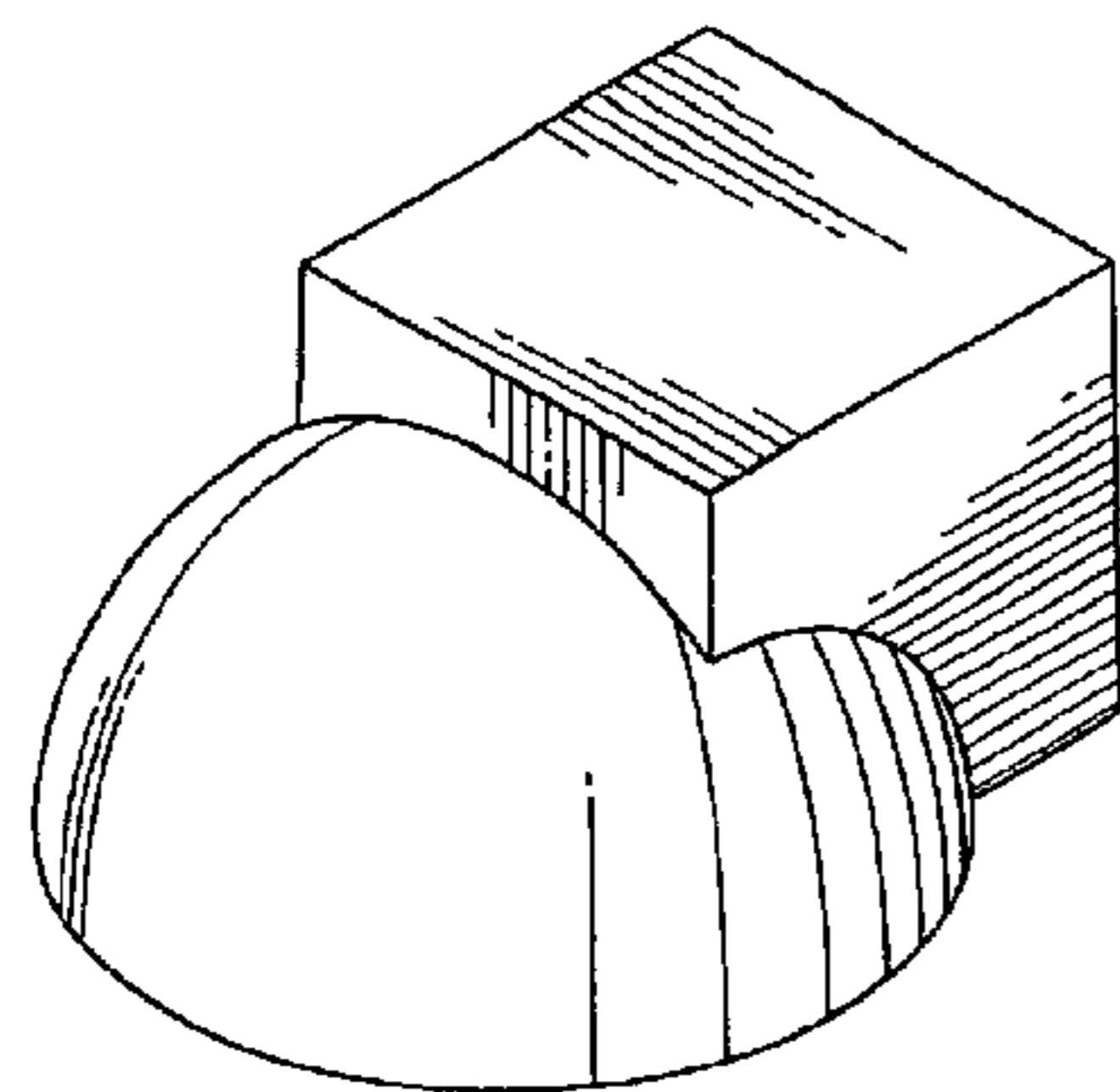
FIG. 8 is a front view of the light fixture of FIG. 6.

FIG. 9 is a top view of the light fixture of FIG. 6; and,

FIG. 10 is a bottom view of the light fixture of FIG. 6.

The rear most surface and details thereof of each embodiment of the light fixture is not part of the design.

**1 Claim, 2 Drawing Sheets**



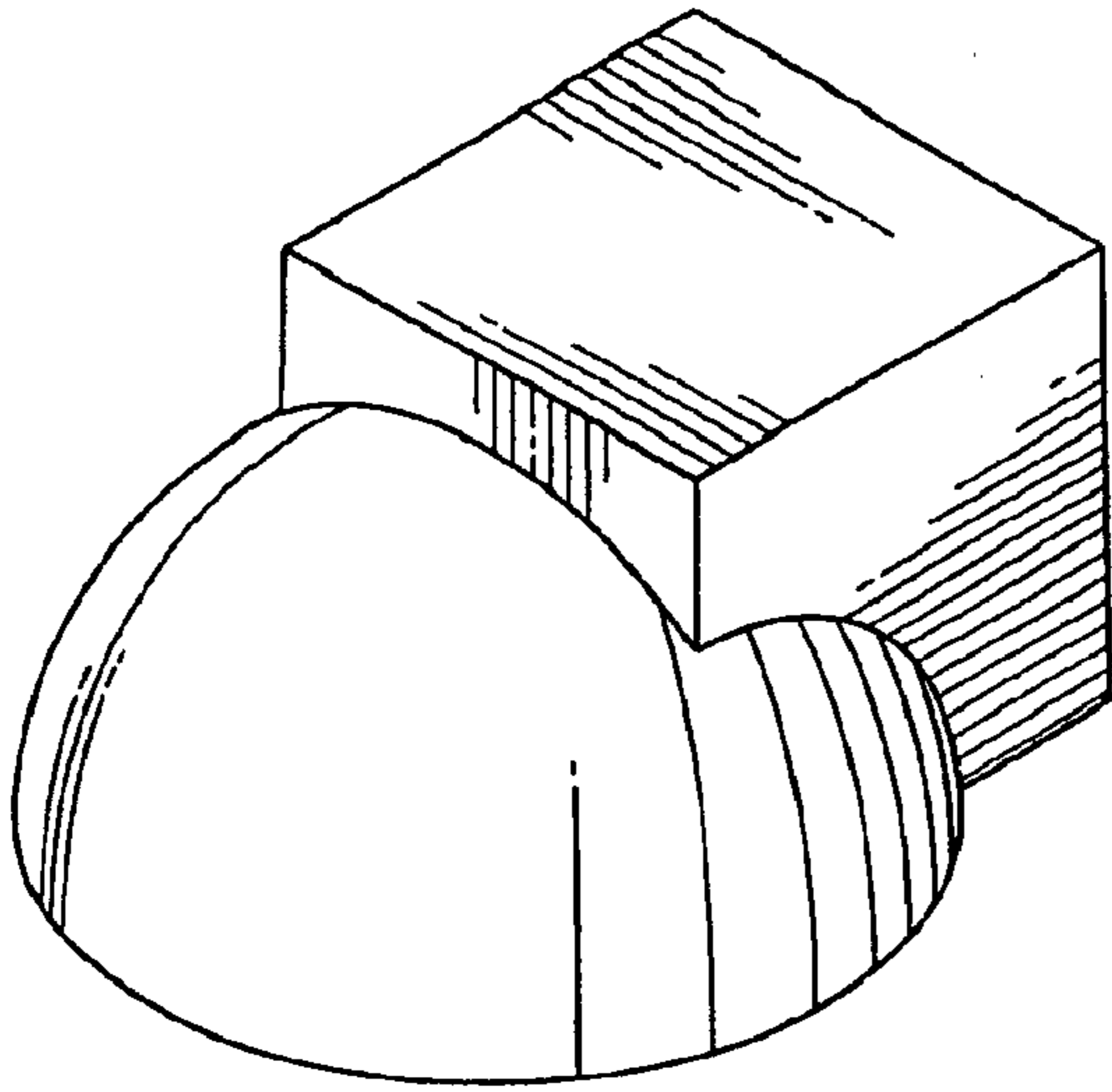


Fig. 1

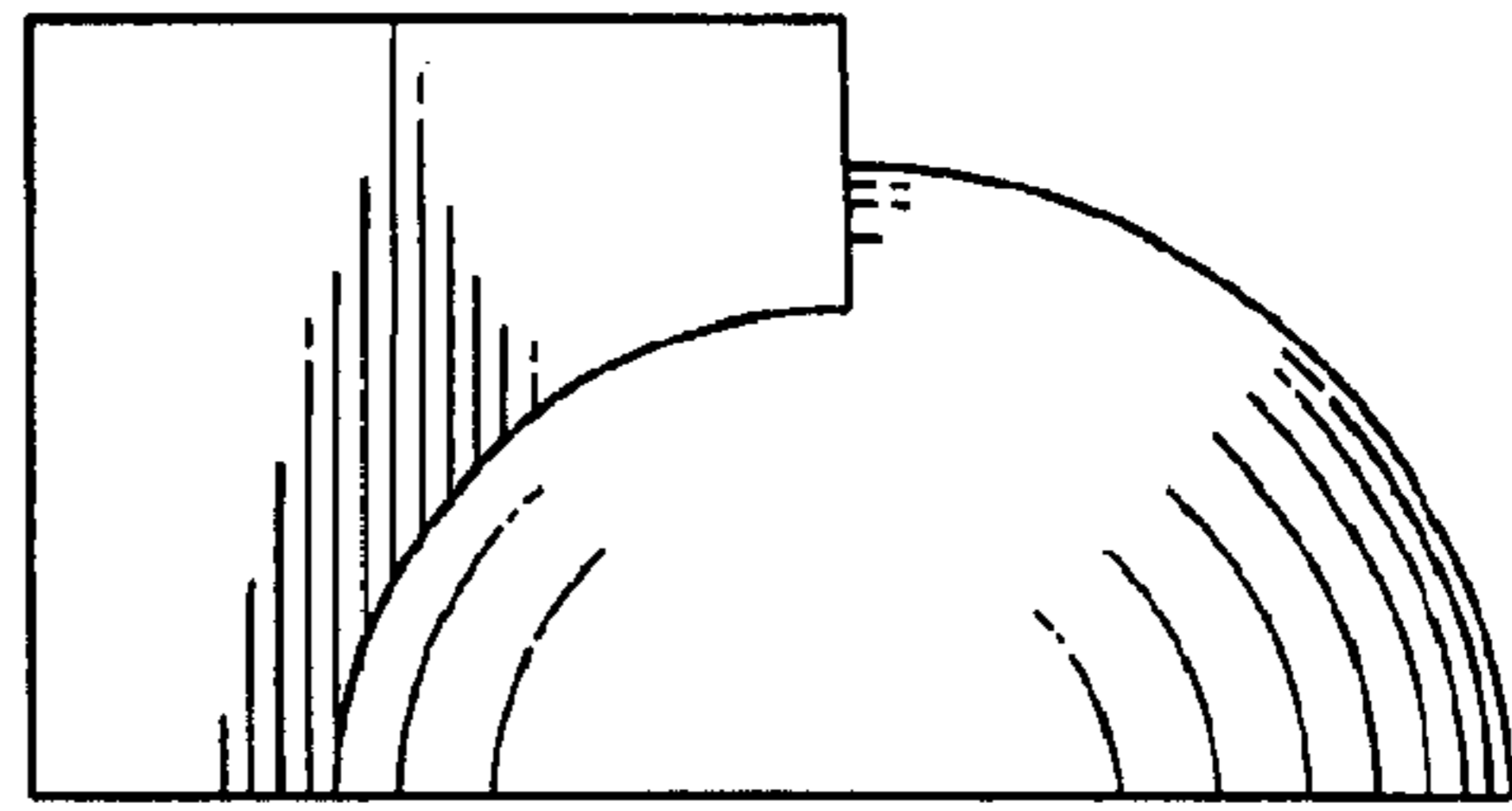


Fig. 2

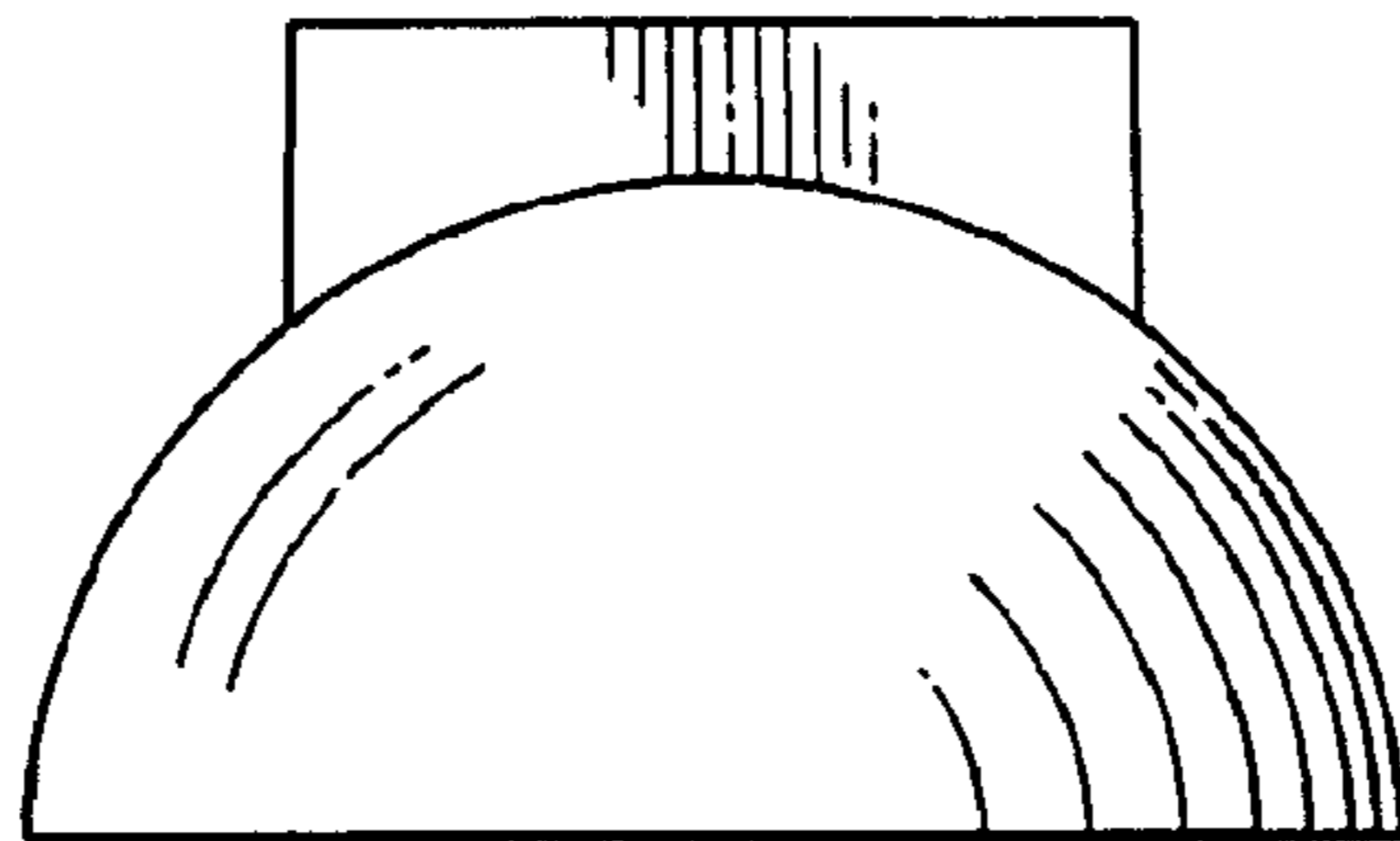


Fig. 3

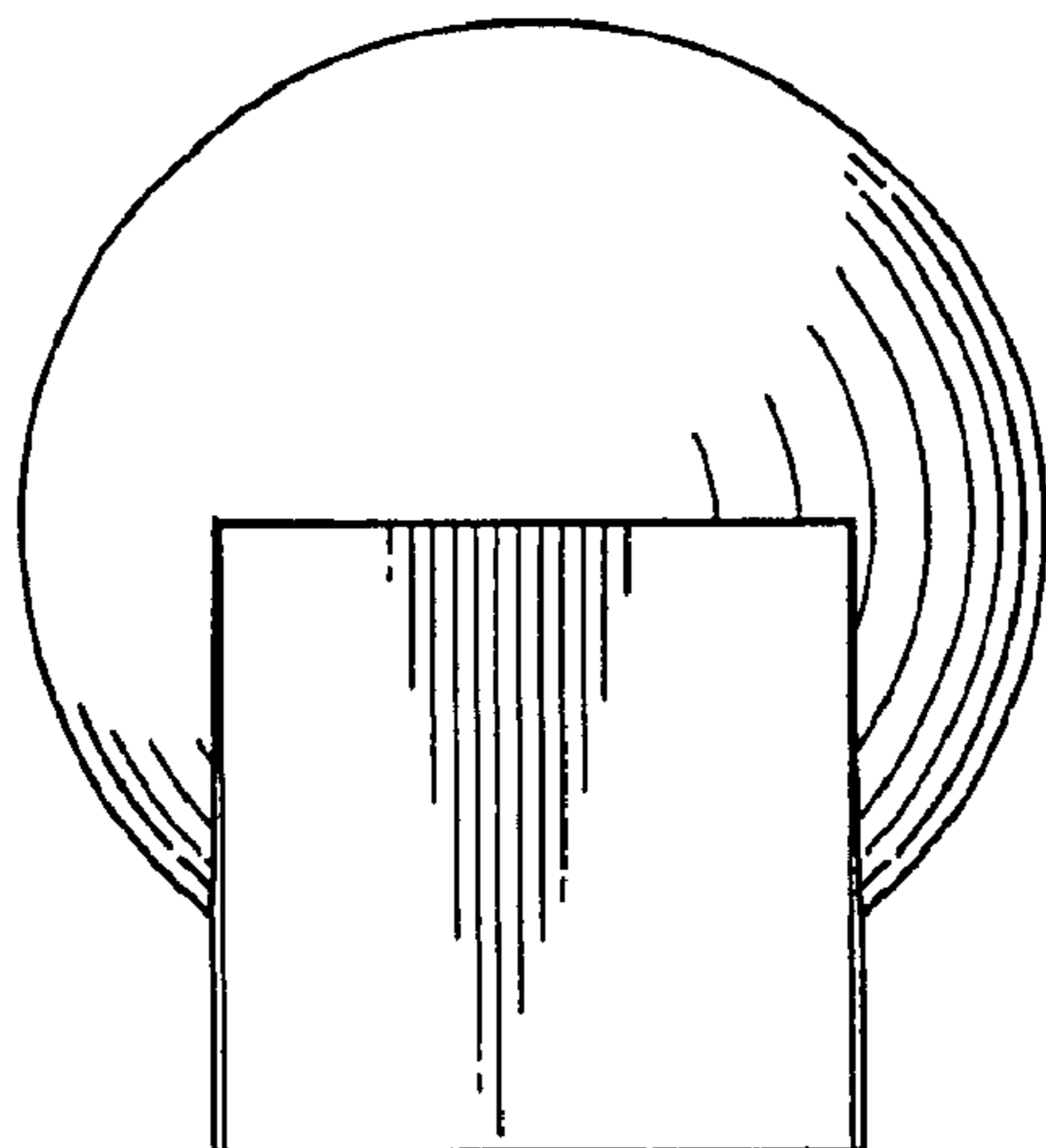


Fig. 4

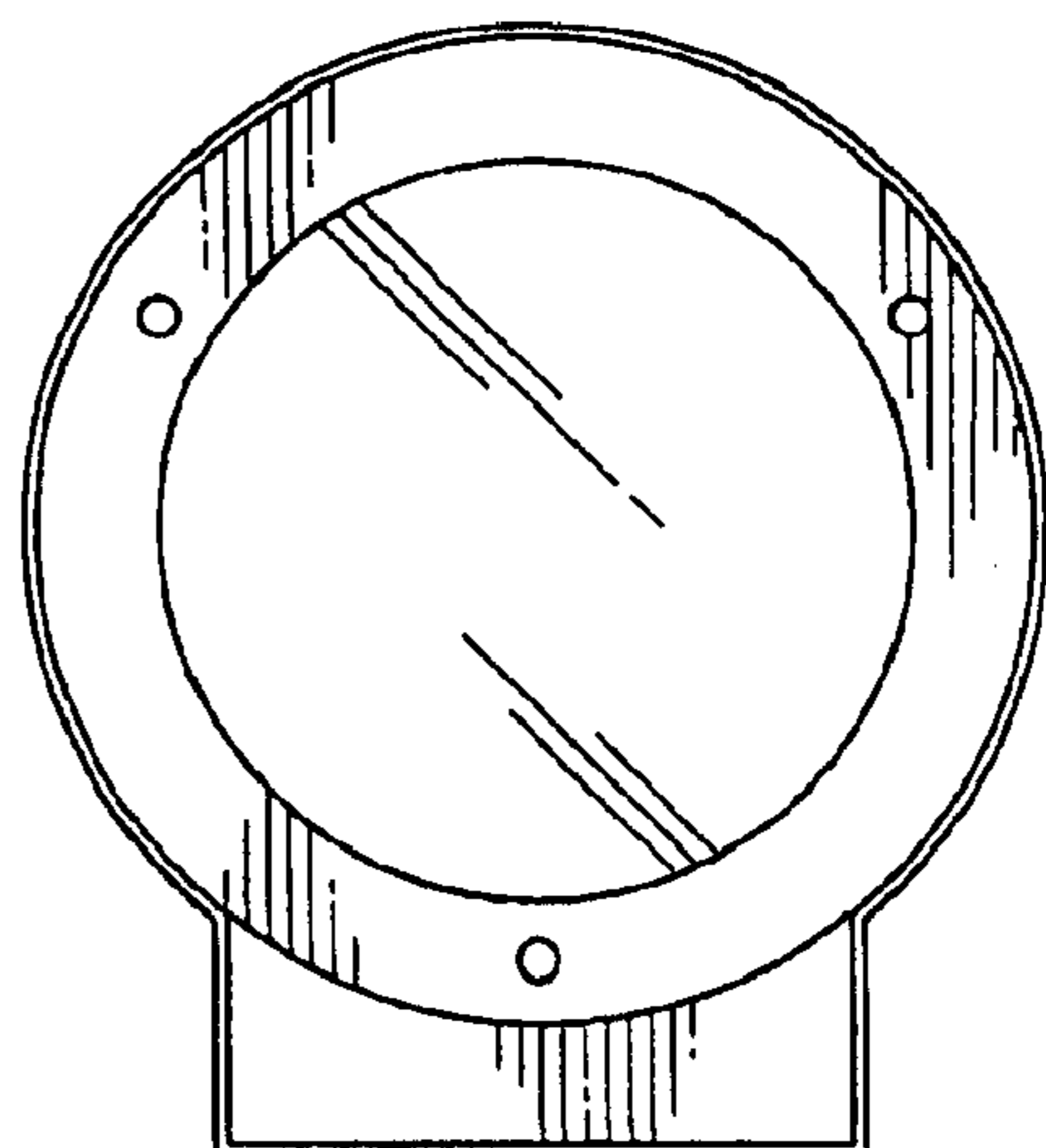


Fig. 5

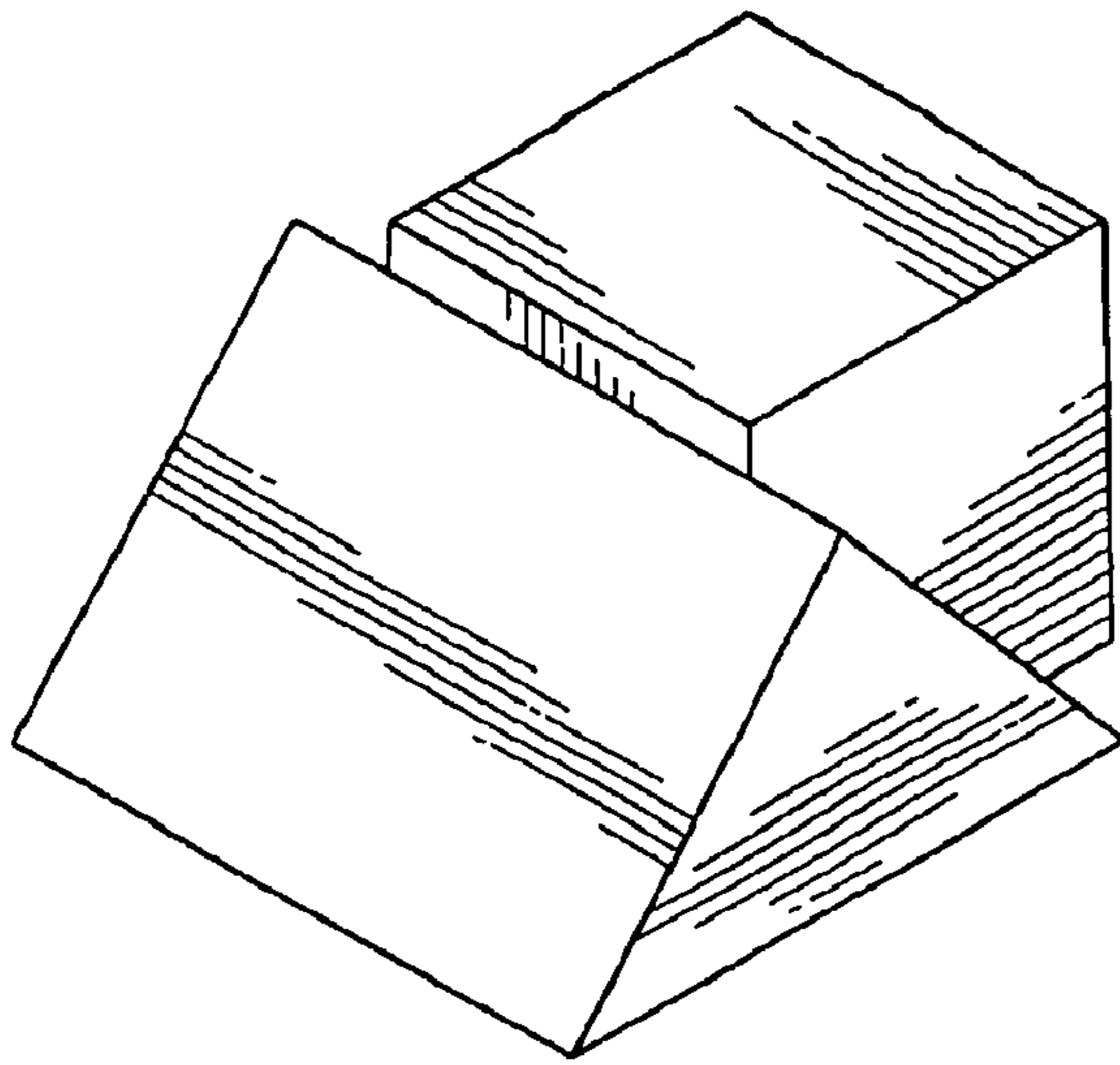


Fig. 6

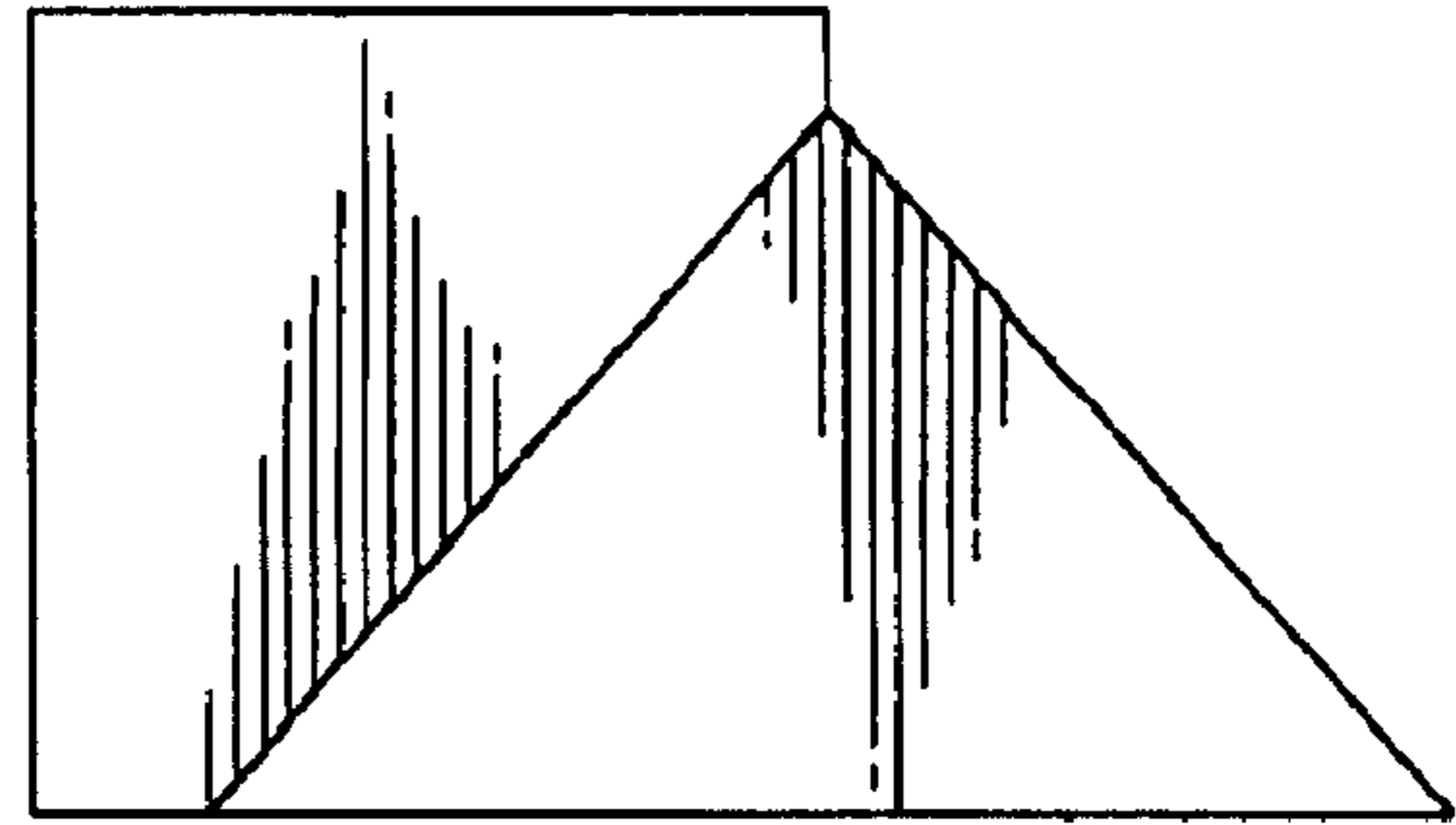


Fig. 7

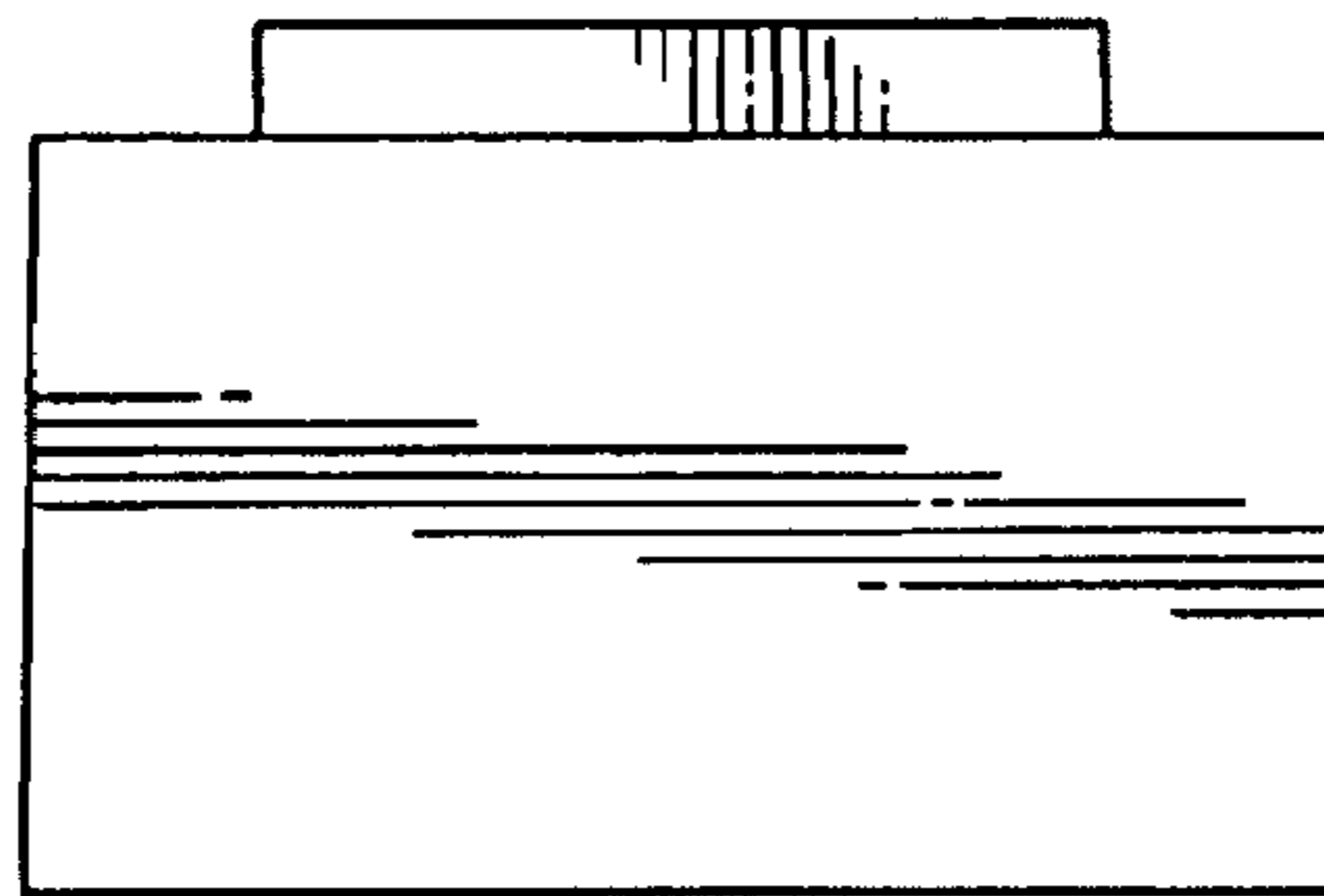


Fig. 8

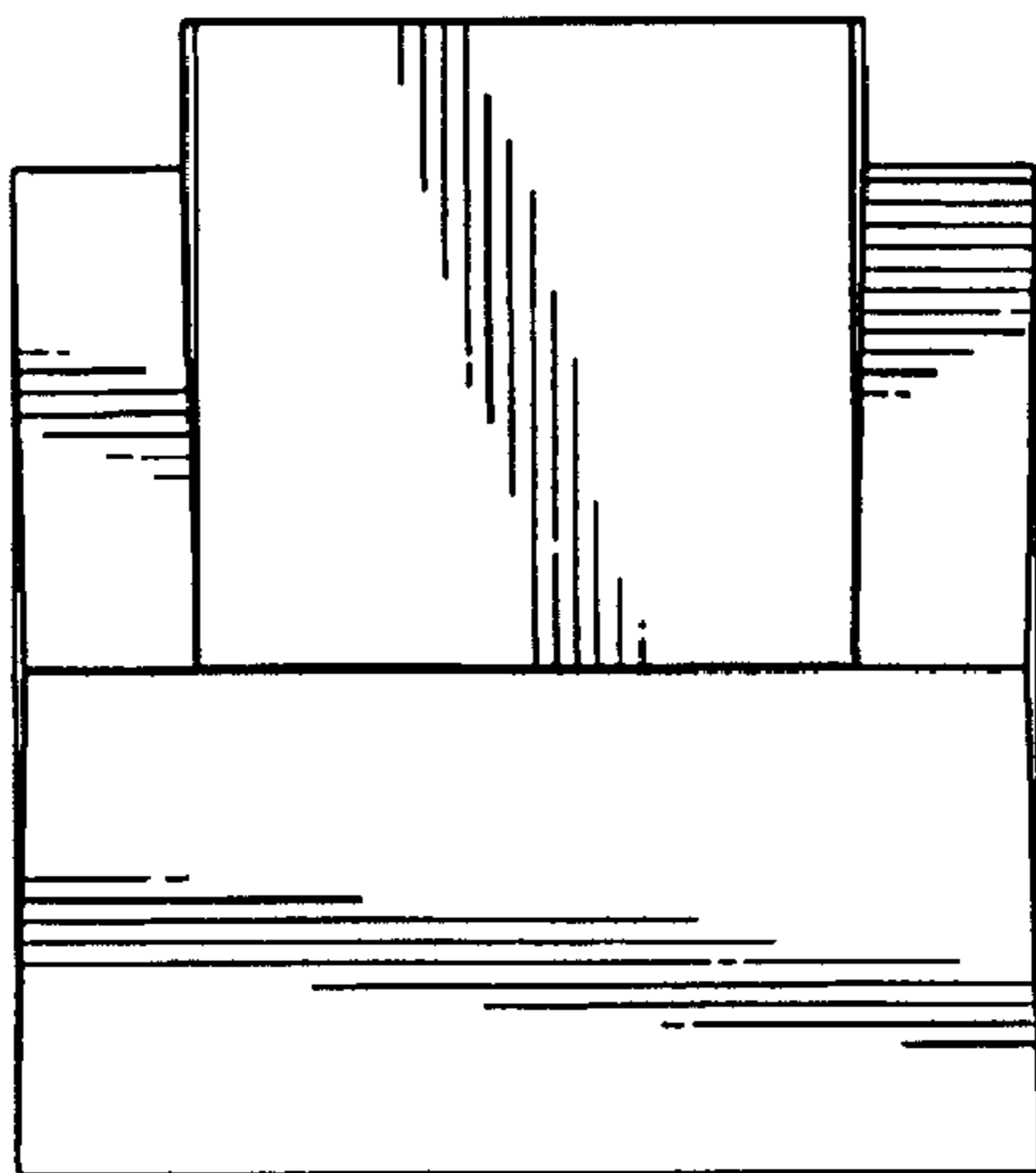


Fig. 9

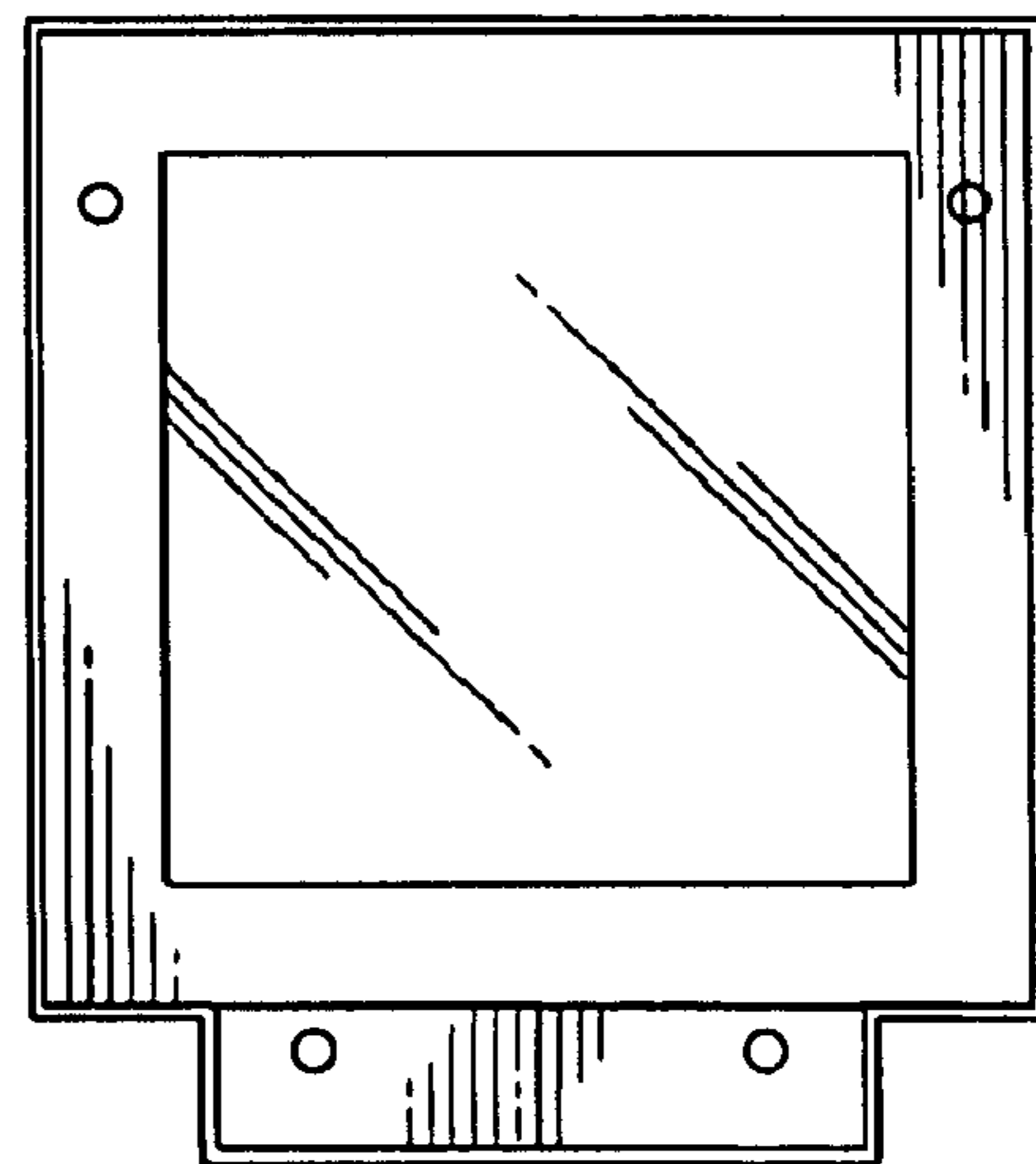


Fig. 10