

US00D501941S

(12) **United States Design Patent**
Abe

(10) **Patent No.:** **US D501,941 S**
(45) **Date of Patent:** **** Feb. 15, 2005**

(54) **FRONT COMBINATION LAMP FOR AN AUTOMOBILE**

(75) Inventor: **Takahiko Abe**, Saitama (JP)

(73) Assignee: **Honda Motor Co., Ltd.**, Tokyo (JP)

(**) Term: **14 Years**

(21) Appl. No.: **29/207,802**

(22) Filed: **Jun. 21, 2004**

(30) **Foreign Application Priority Data**

Dec. 22, 2003 (JP) 2003-037669

(51) **LOC (7) Cl.** **26-06**

(52) **U.S. Cl.** **D26/28**

(58) **Field of Search** D26/28-36; 362/457-468,
362/475-478, 485-487

(56) **References Cited**

U.S. PATENT DOCUMENTS

D481,144 S	*	10/2003	Takei	D26/28
D486,254 S	*	2/2004	Kato et al.	D26/28
D488,574 S	*	4/2004	Eto	D26/28
D492,046 S	*	6/2004	Nakamura et al.	D26/28

FOREIGN PATENT DOCUMENTS

JP	1187890	10/2003
JP	1192514	12/2003

* cited by examiner

Primary Examiner—Marcus A. Jackson

(74) *Attorney, Agent, or Firm*—Westerman, Hattori, Daniels & Adrian, LLP

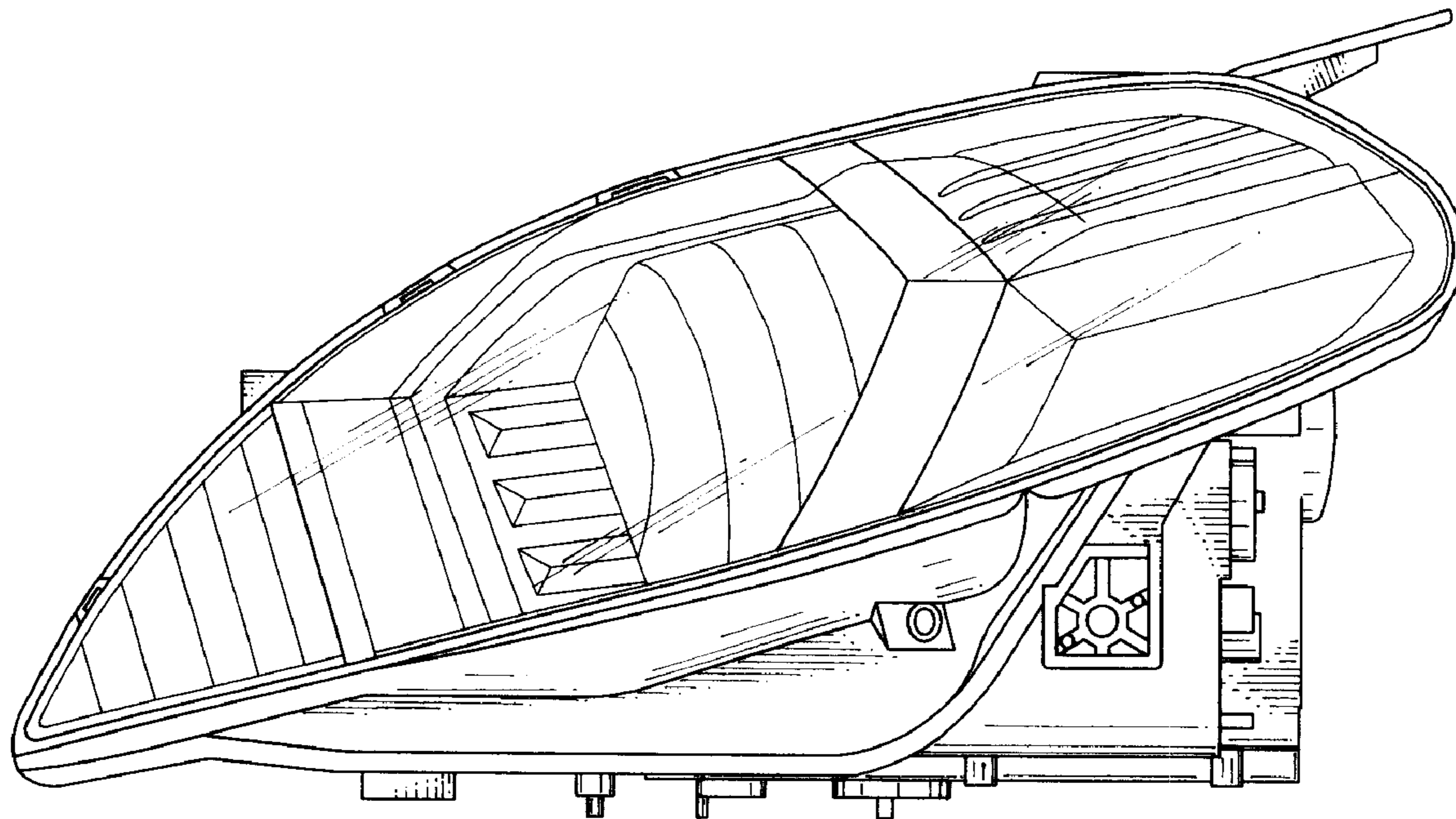
(57) **CLAIM**

The ornamental design for, front combination lamp for an automobile, as shown and described.

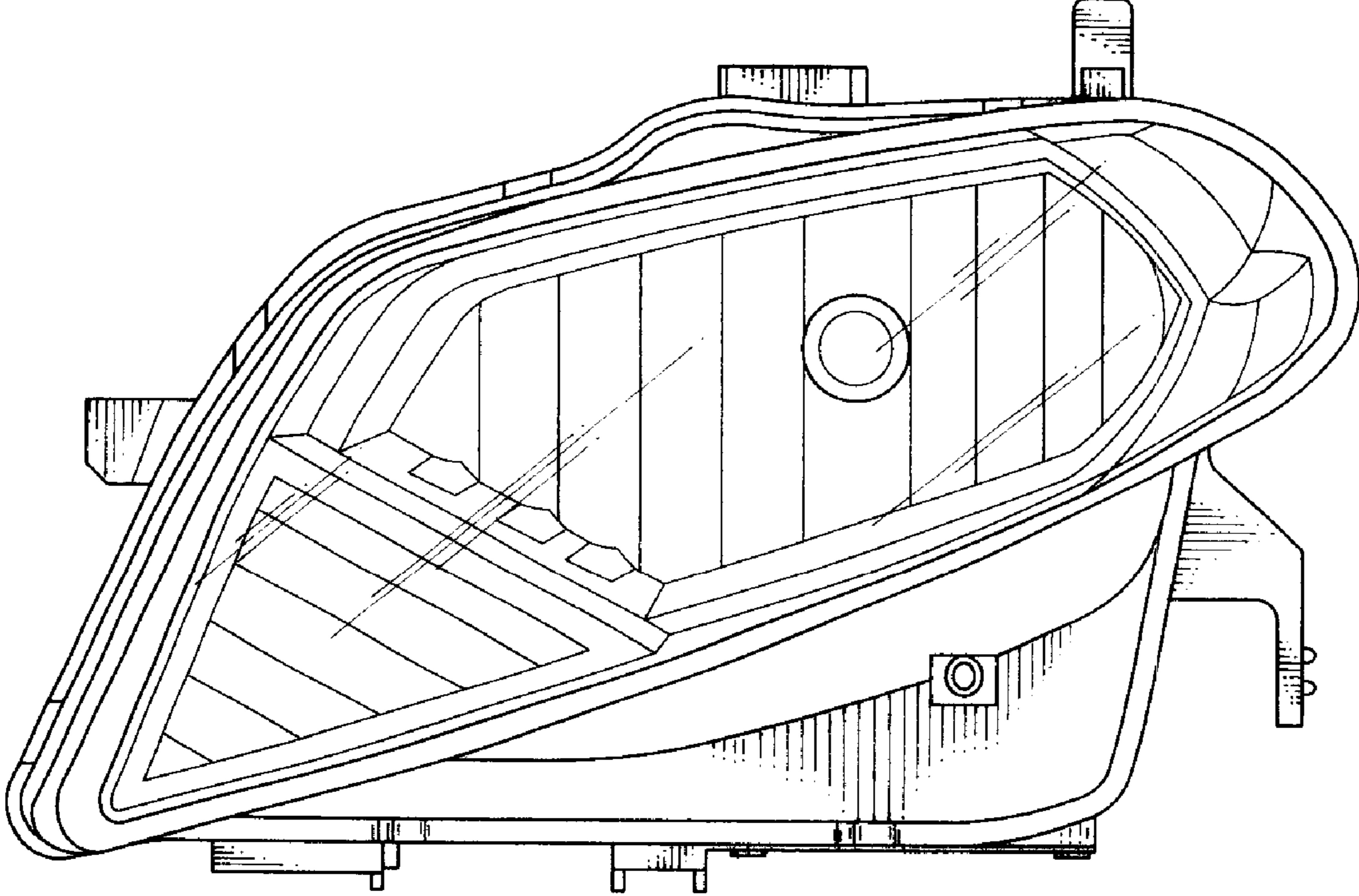
DESCRIPTION

FIG. 1 is a front elevation view of front combination lamp for an automobile, showing our new design; FIG. 2 is a rear elevation view thereof; FIG. 3 is a top plan view thereof; FIG. 4 is a bottom plan view thereof; FIG. 5 is a right side elevation view thereof; FIG. 6 is a left side elevation view thereof; FIG. 7 is a perspective view thereof; and, FIG. 8 is another perspective view thereof.

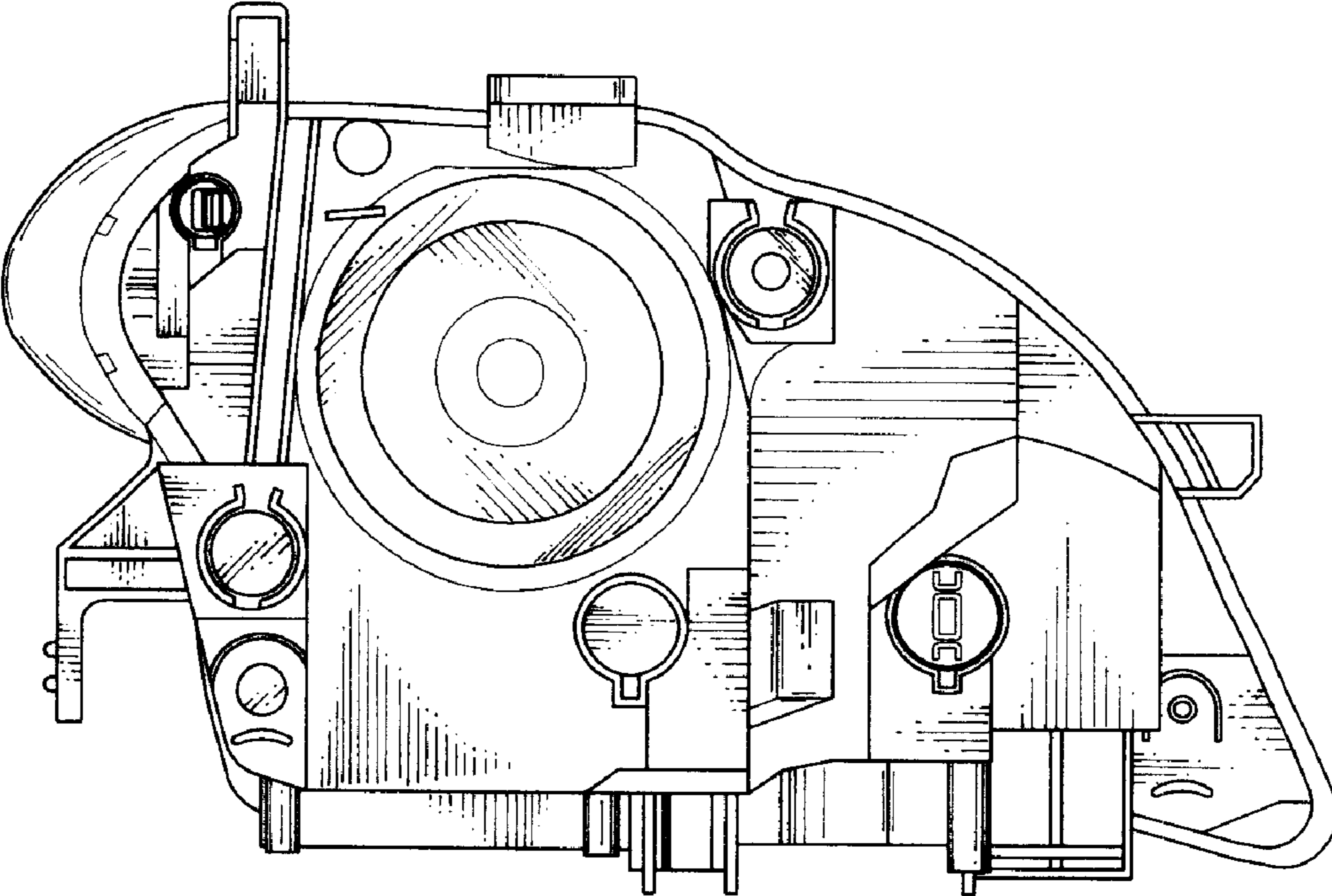
1 Claim, 8 Drawing Sheets



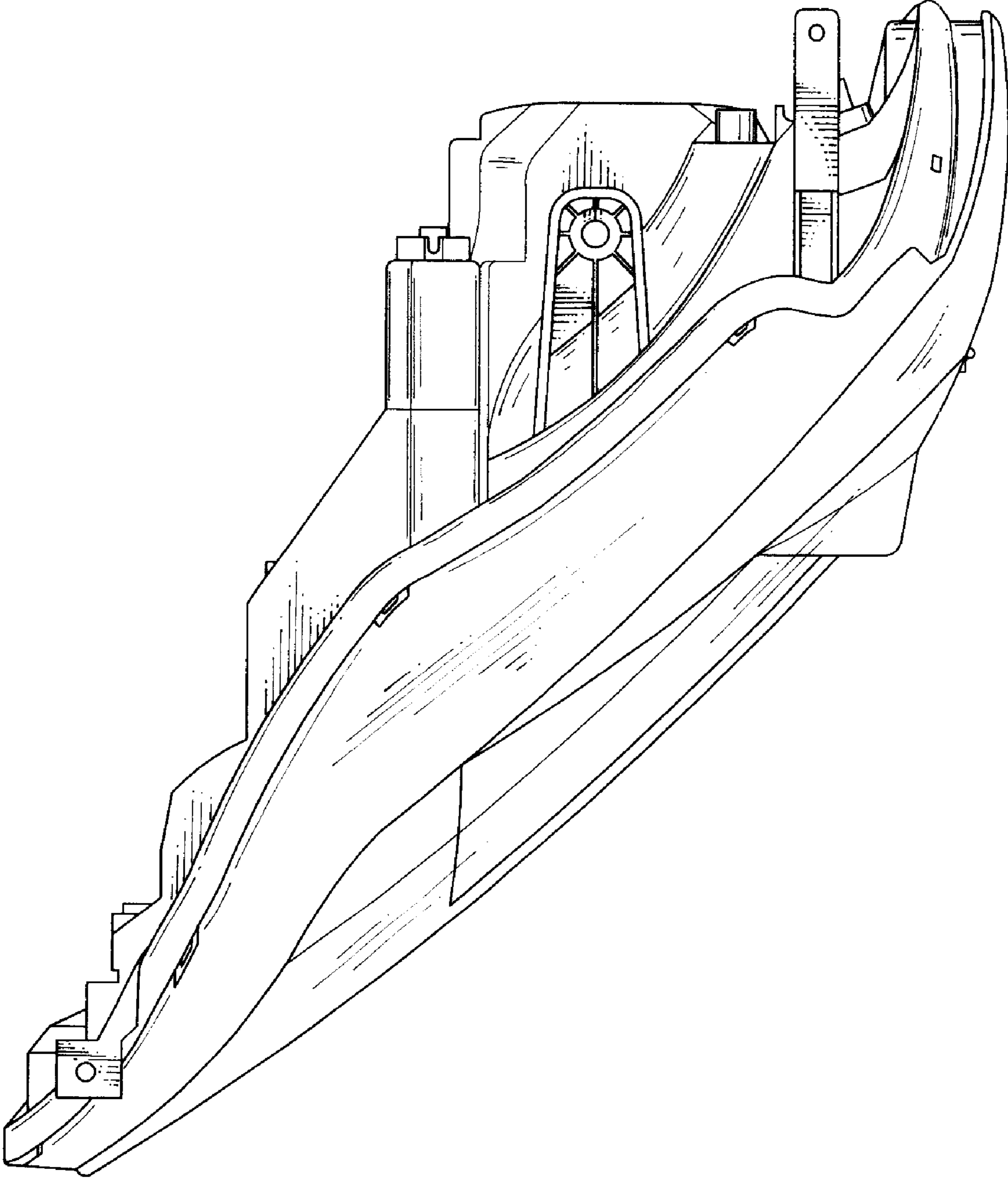
F I G. 1



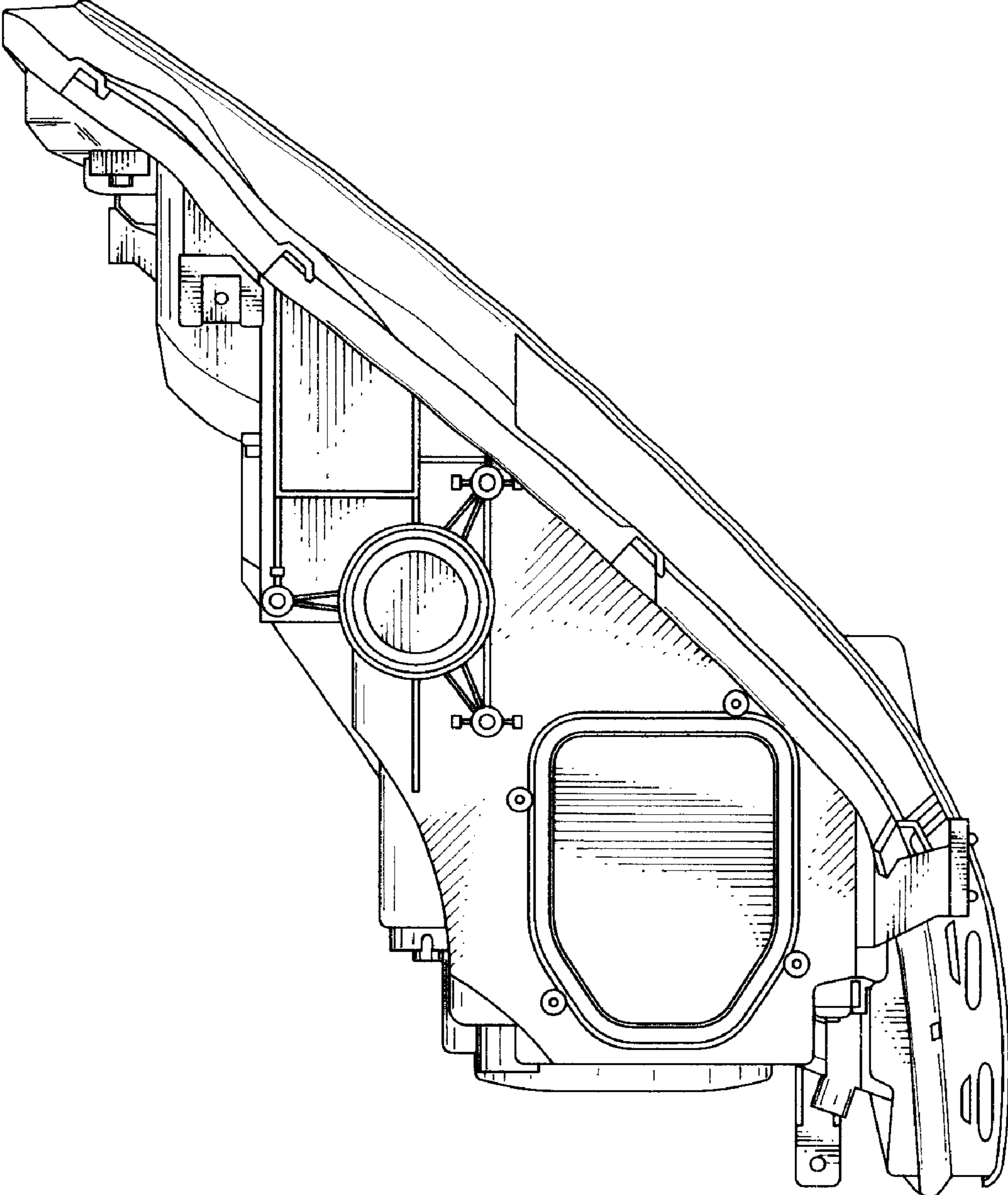
F I G. 2



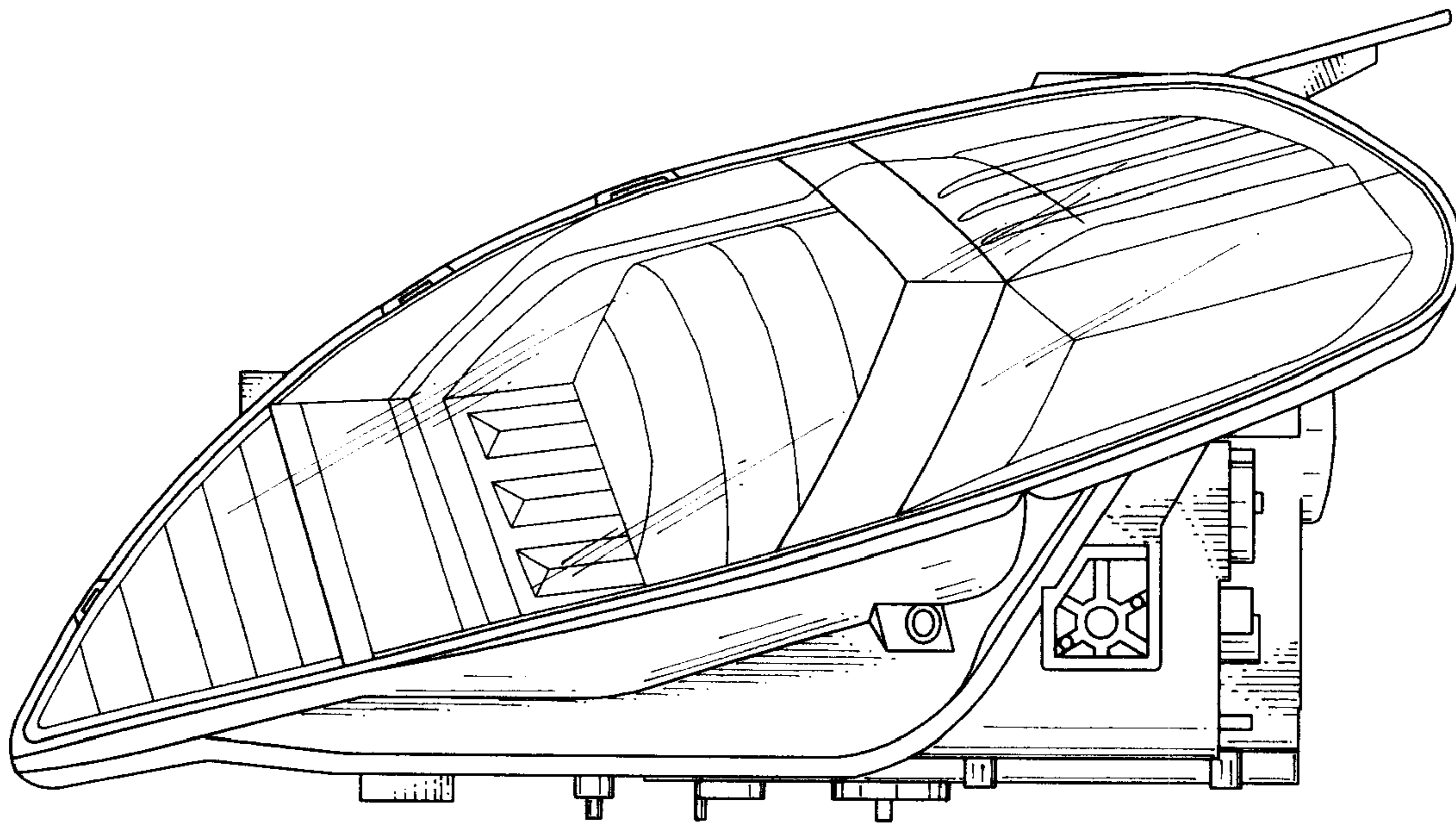
F I G. 3



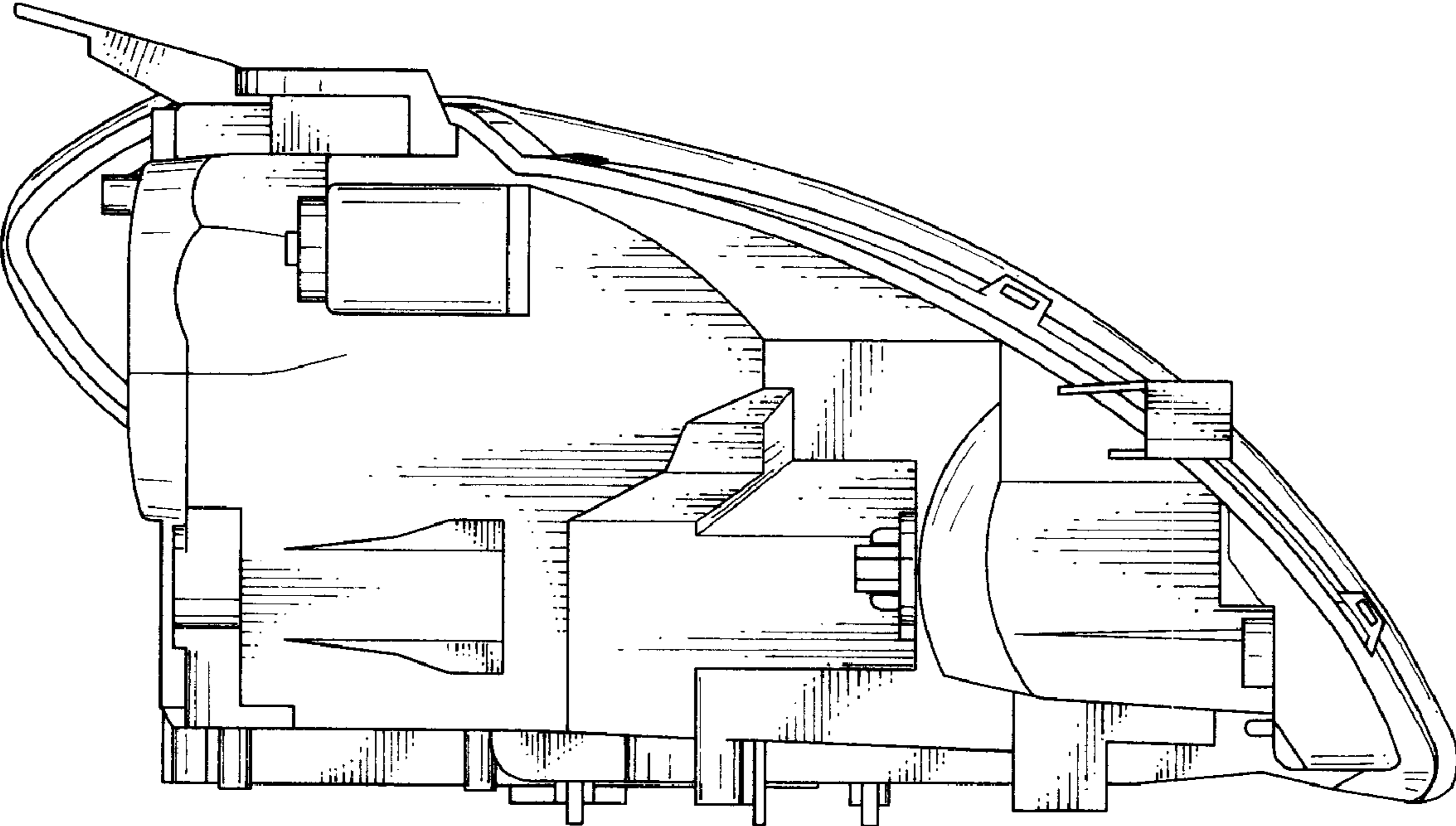
F I G. 4



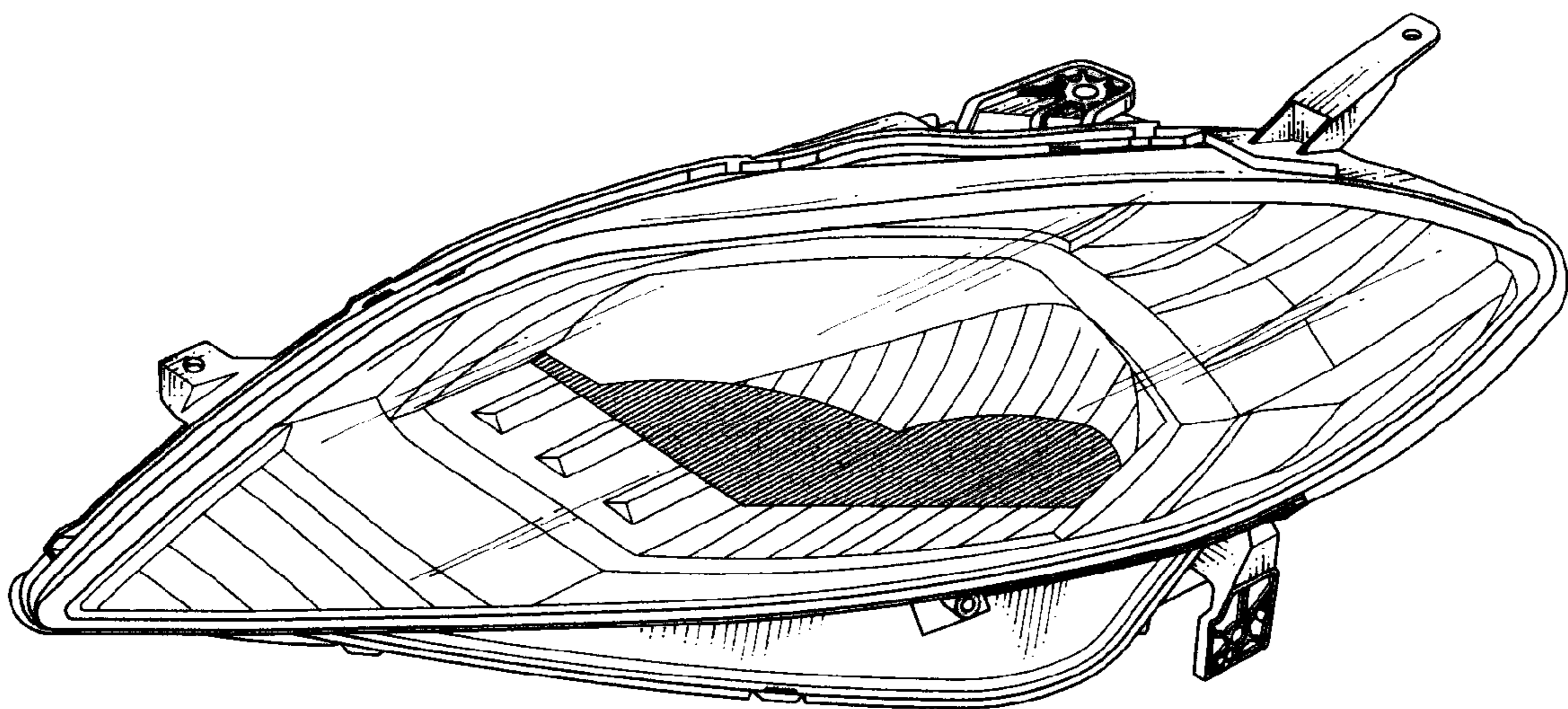
F I G. 5



F I G. 6



F I G. 7



F I G. 8

