

US00D501940S

(12) **United States Design Patent**
Abe

(10) **Patent No.:** **US D501,940 S**
(45) **Date of Patent:** **** Feb. 15, 2005**

(54) **FRONT COMBINATION LAMP FOR AN AUTOMOBILE**

(75) **Inventor:** **Takahiko Abe, Saitama (JP)**

(73) **Assignee:** **Honda Motor Co., Ltd., Tokyo (JP)**

(**) **Term:** **14 Years**

(21) **Appl. No.:** **29/207,800**

(22) **Filed:** **Jun. 21, 2004**

(30) **Foreign Application Priority Data**

Dec. 22, 2003 (JP) 2003-037670

(51) **LOC (7) Cl.** **26-06**

(52) **U.S. Cl.** **D26/28**

(58) **Field of Search** D26/28-36; 362/457-468,
362/475-478, 485-487

(56) **References Cited**

U.S. PATENT DOCUMENTS

- D481,144 S * 10/2003 Takei D26/28
- D486,254 S * 2/2004 Kato et al. D26/28
- D488,574 S * 4/2004 Eto D26/28
- D492,046 S * 6/2004 Nakamura et al. D26/28

FOREIGN PATENT DOCUMENTS

- JP 1187890 10/2003
- JP 1192514 12/2003

* cited by examiner

Primary Examiner—Marcus A. Jackson

(74) *Attorney, Agent, or Firm*—Westerman, Hattori, Daniels & Adrian LLP

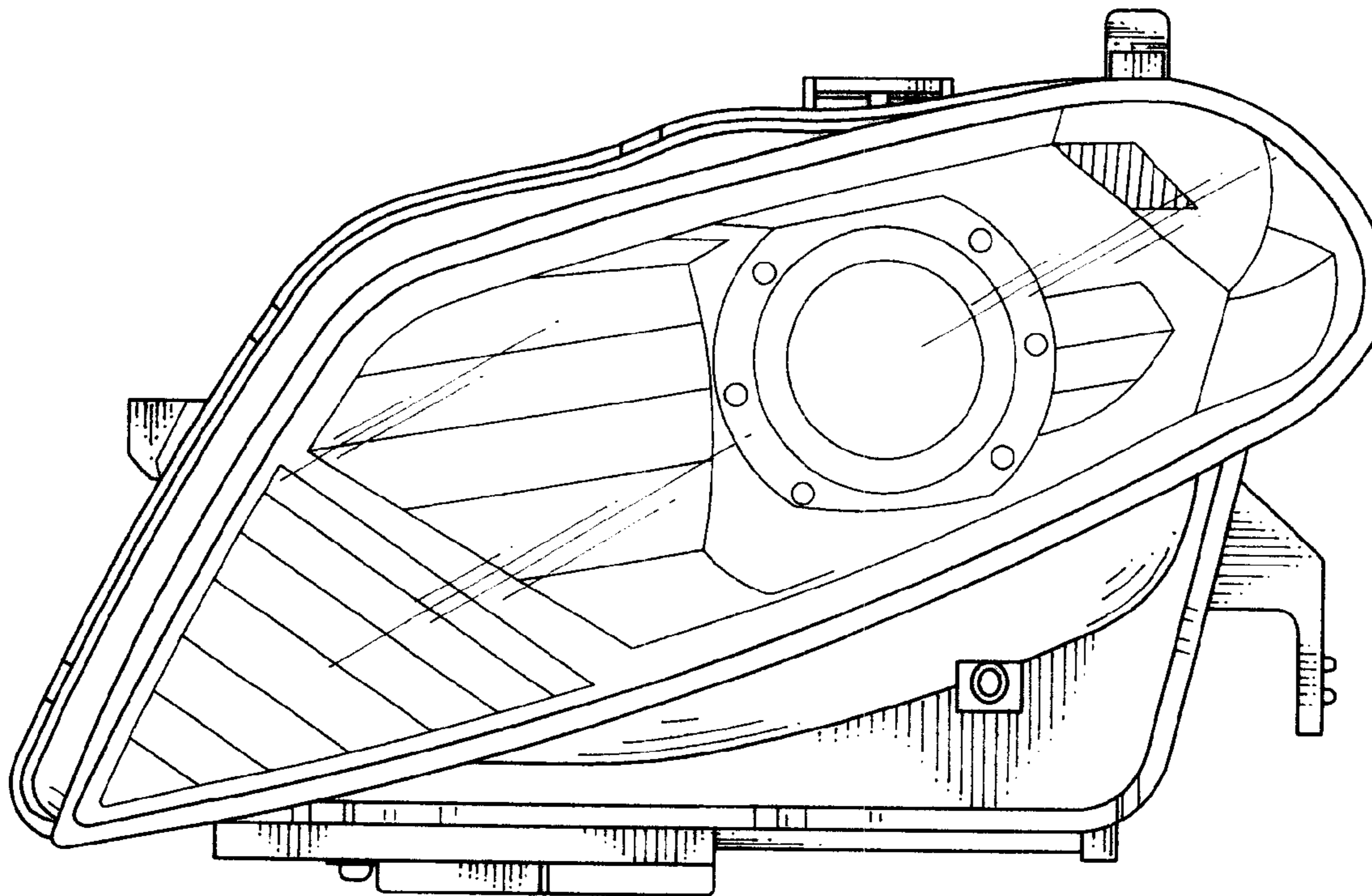
(57) **CLAIM**

The ornamental design for, front combination lamp for an automobile, as shown and described.

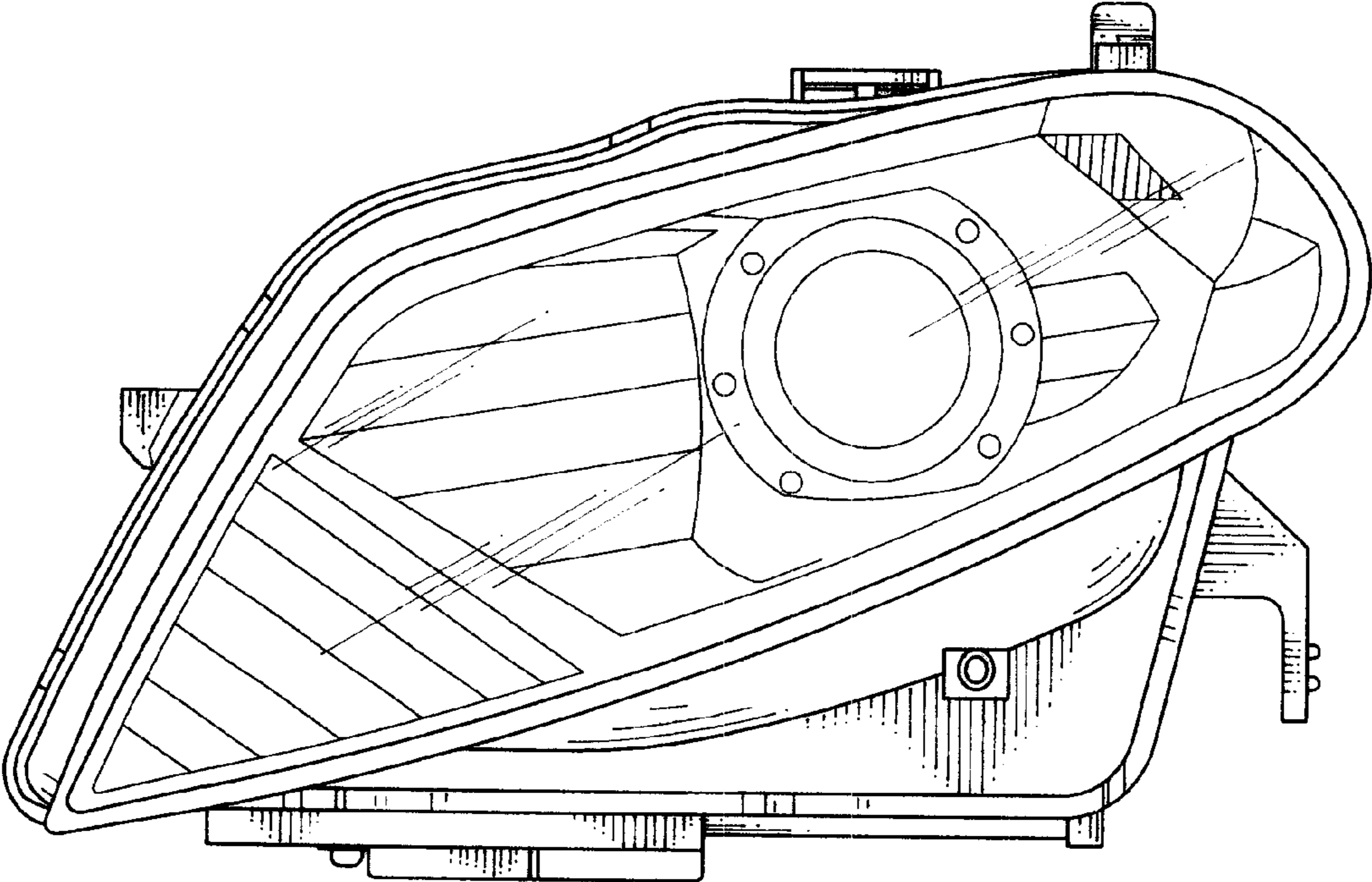
DESCRIPTION

FIG. 1 is a front elevation view of front combination lamp for an automobile, showing our new design; FIG. 2 is a rear elevation view thereof; FIG. 3 is a top plan view thereof; FIG. 4 is a bottom plan view thereof; FIG. 5 is a right side elevation view thereof; FIG. 6 is a left side elevation view thereof; FIG. 7 is a perspective view thereof; and, FIG. 8 is another perspective view thereof.

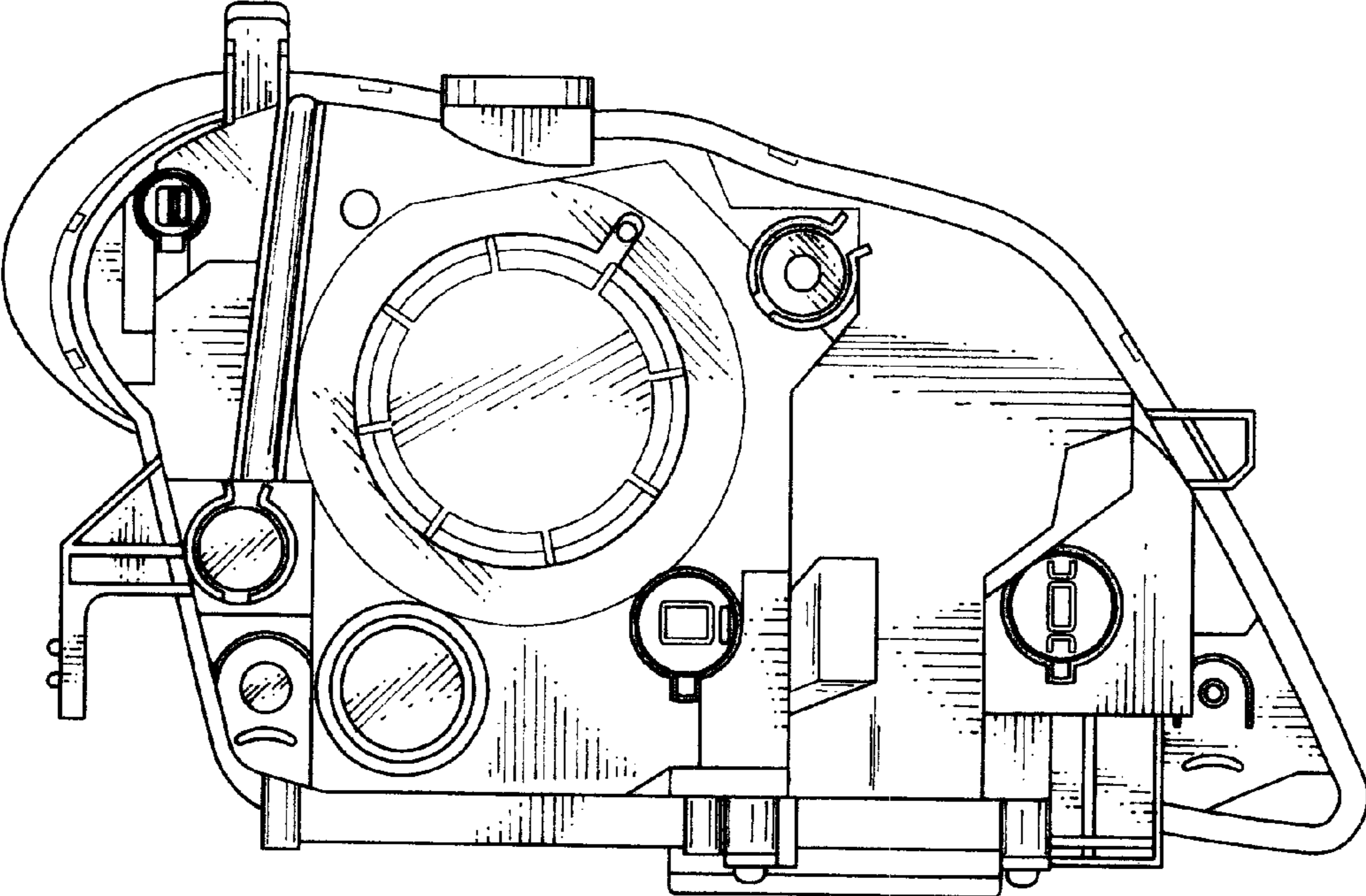
1 Claim, 8 Drawing Sheets



F I G. 1



F I G. 2



F I G. 3

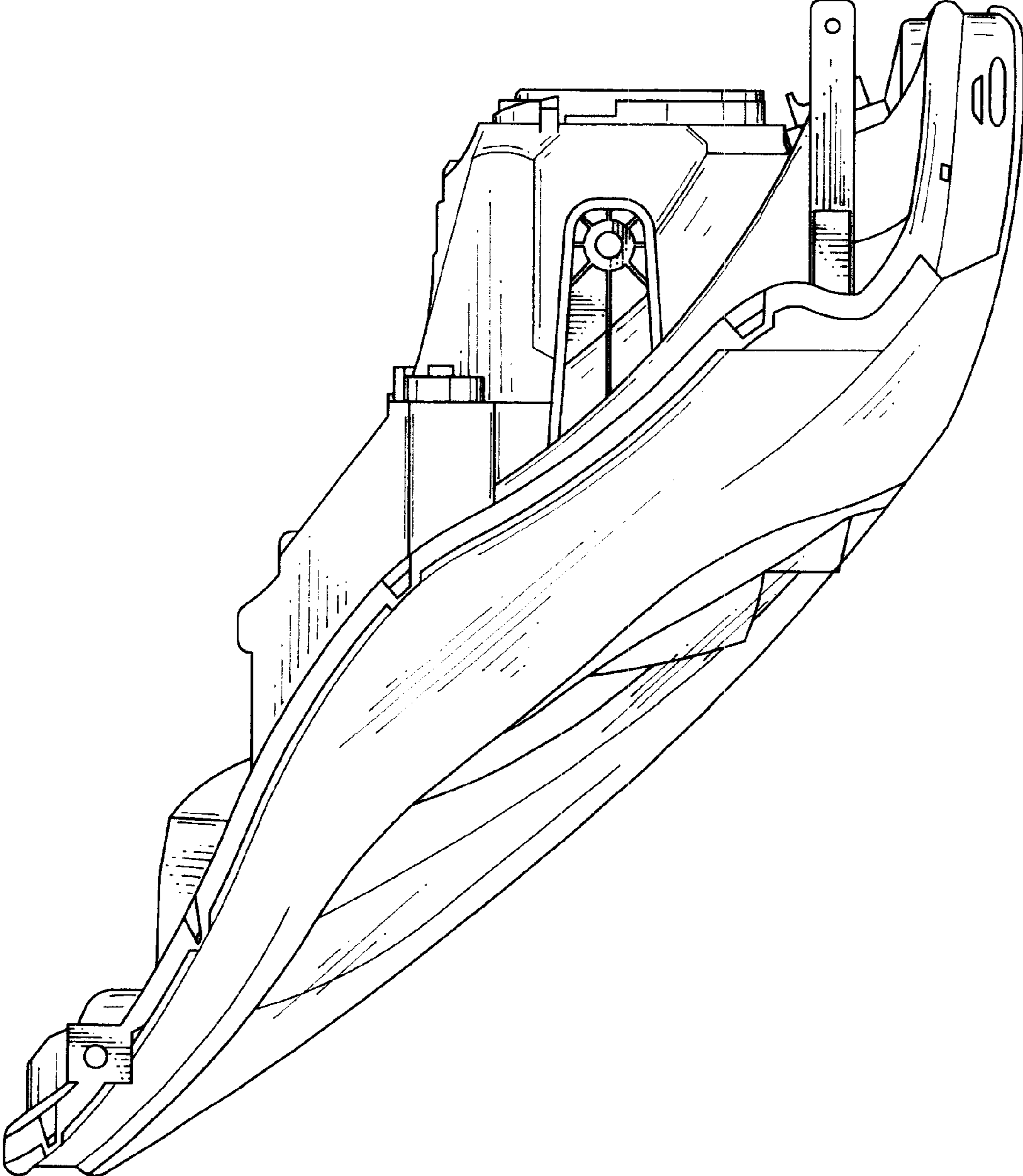
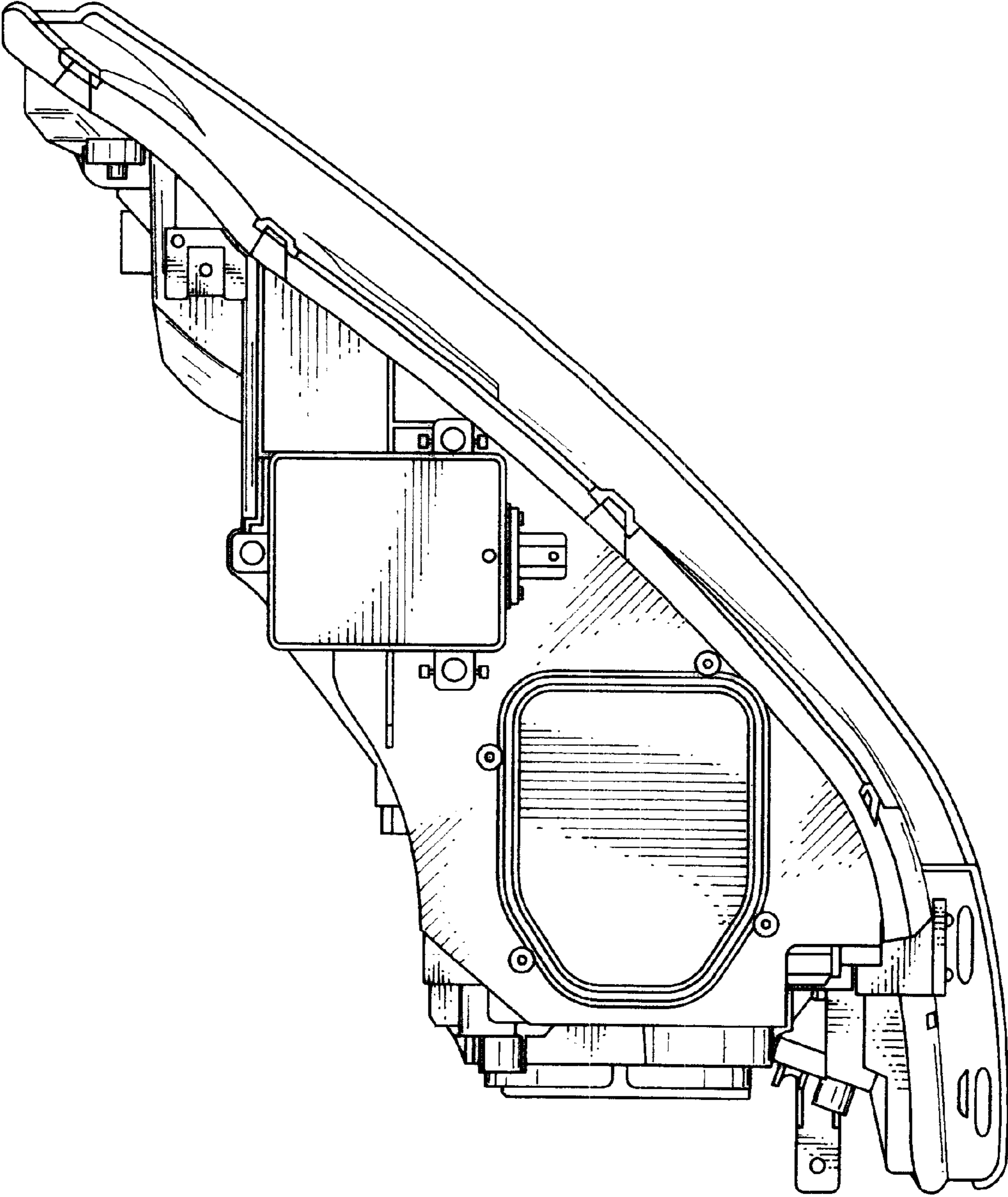
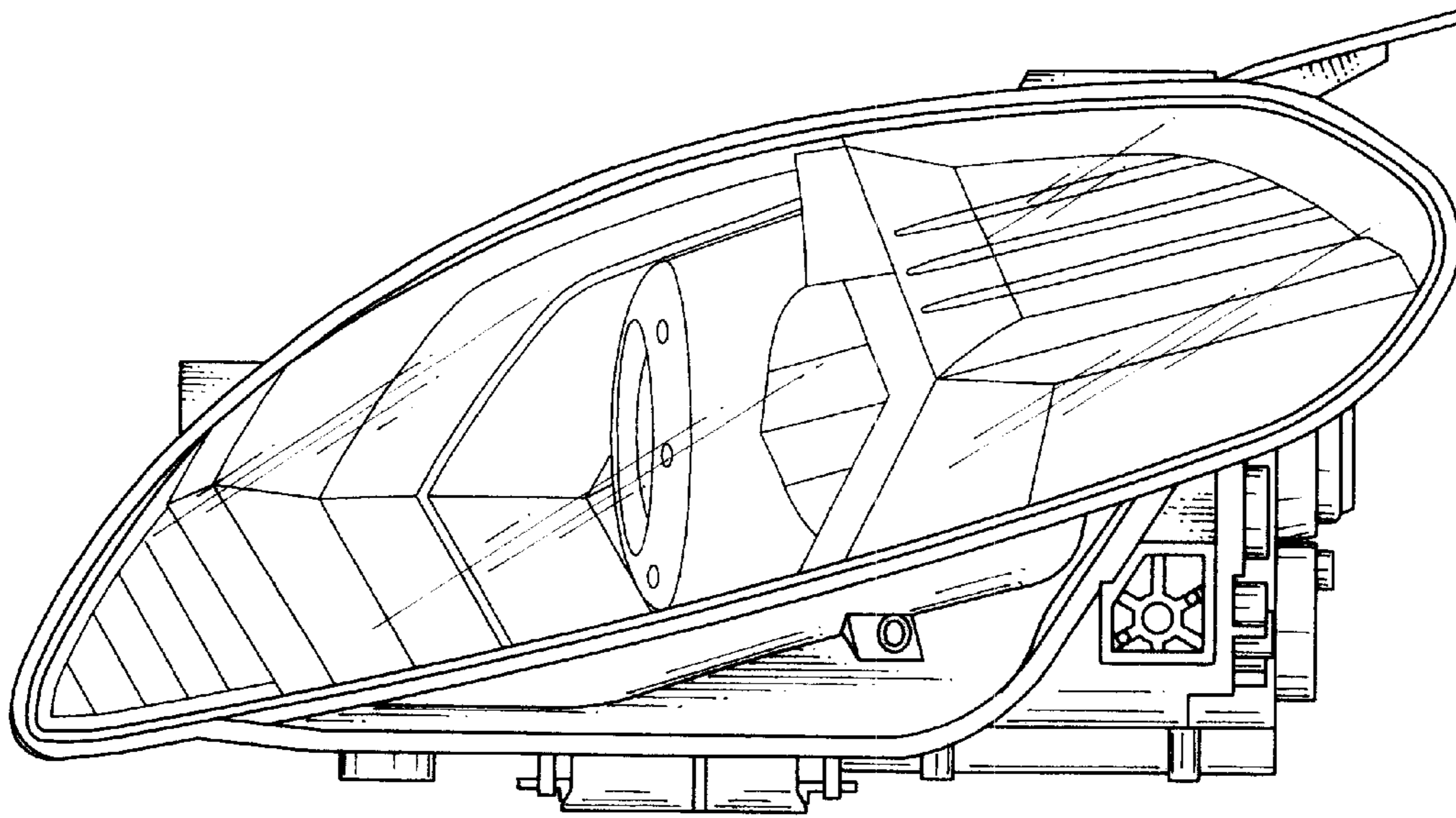


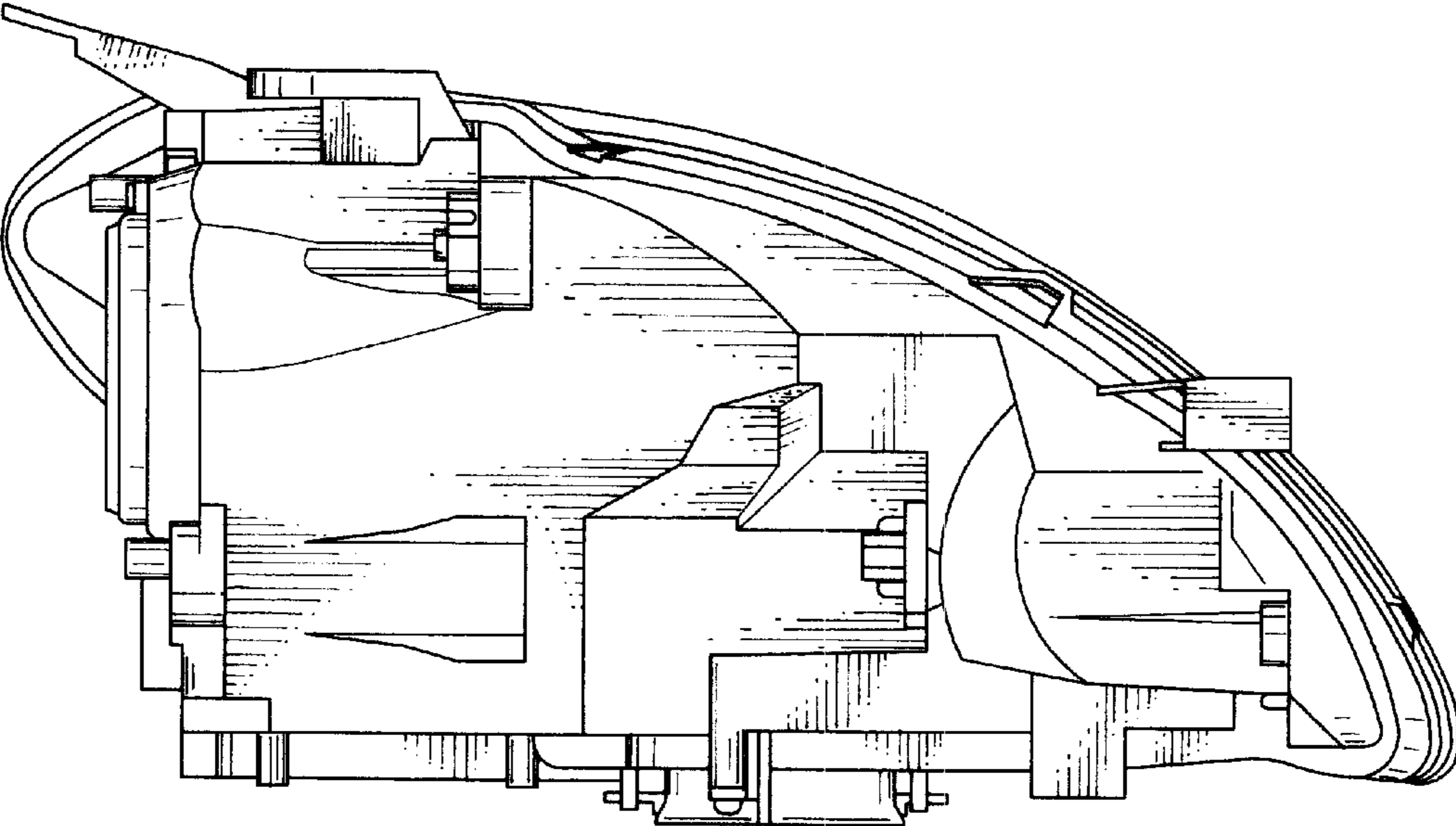
FIG. 4



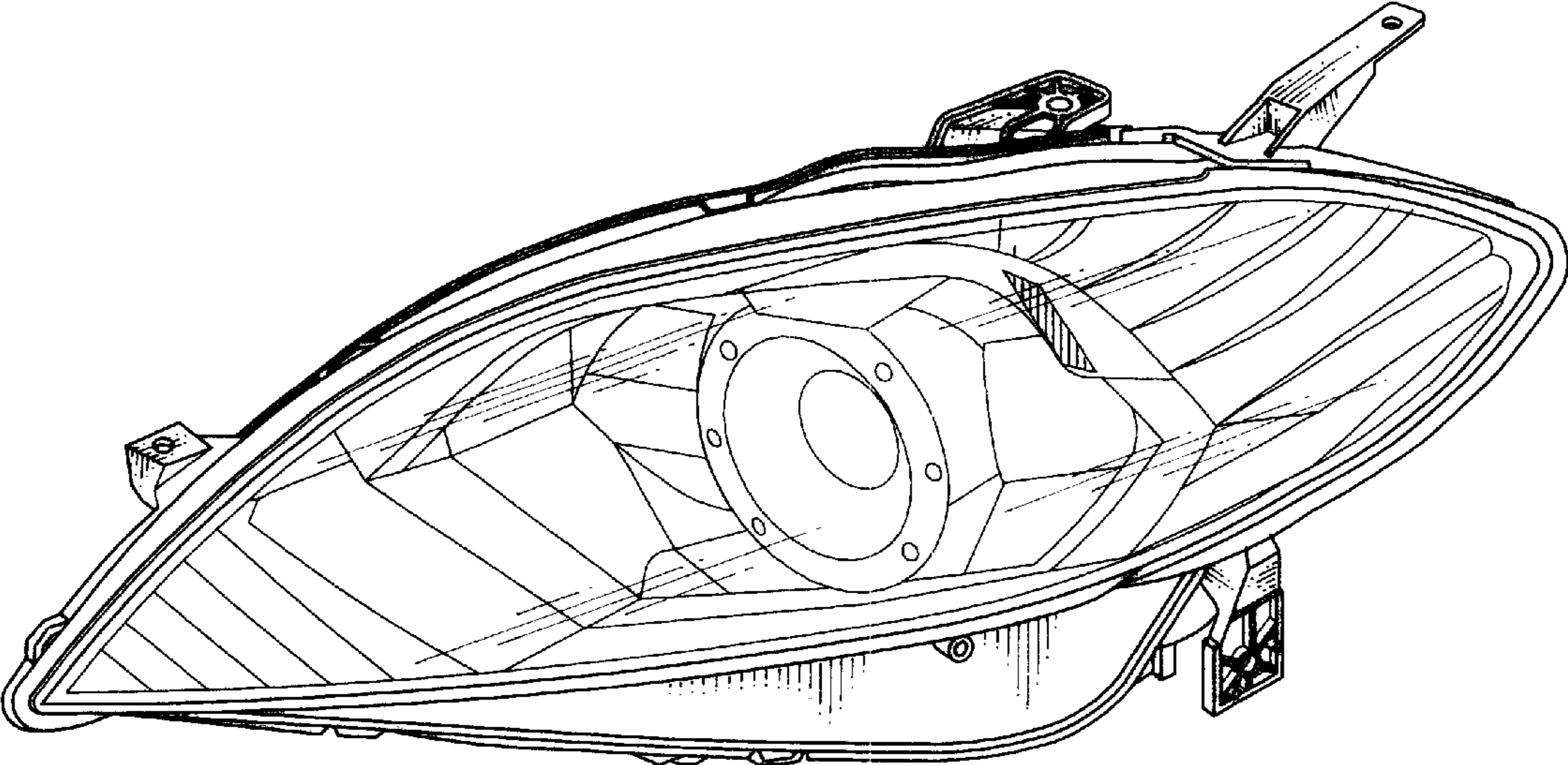
F I G. 5



F I G. 6



F I G. 7



F I G. 8

