

US00D501936S

(12) **United States Design Patent**
Kim

(10) **Patent No.:** **US D501,936 S**
(45) **Date of Patent:** **** Feb. 15, 2005**

(54) **WINDOW FRAME MEMBER**

(75) Inventor: **Seong-Joong Kim**, Cheongju (KR)

(73) Assignee: **LG Chem, Ltd.**, Seoul (KR)

(**) Term: **14 Years**

(21) Appl. No.: **29/200,499**

(22) Filed: **Feb. 26, 2004**

(30) **Foreign Application Priority Data**

Aug. 26, 2003 (KR) 30-2003-0024191

(51) **LOC (7) Cl.** **25-01**

(52) **U.S. Cl.** **D25/124**

(58) **Field of Search** D25/124, 125;
52/204.5, 204.1; 49/504, DIG. 2

(56) **References Cited**

U.S. PATENT DOCUMENTS

D450,392 S * 11/2001 Roberts et al. D25/124

D451,211 S * 11/2001 Hauberg et al. D25/124

* cited by examiner

Primary Examiner—Doris Clark

(74) *Attorney, Agent, or Firm*—Ladas & Parry

(57) **CLAIM**

The ornamental design for a window frame member, as shown and described.

DESCRIPTION

FIG. 1 is a perspective view of the window frame member; FIG. 2 is a front view of the window frame member of FIG. 1;

FIG. 3 is a rear view of the window frame member of FIG. 1;

FIG. 4 is a left side view of the window frame member of FIG. 1;

FIG. 5 is a right side view of the window frame member of FIG. 1;

FIG. 6 is a top view of the window frame member of FIG. 1; and,

FIG. 7 is a bottom view of the window frame member of FIG. 1.

The surface(s) or portion(s) of the article not shown in the drawing or described in the specification form(s) no part of the claimed design.

1 Claim, 5 Drawing Sheets

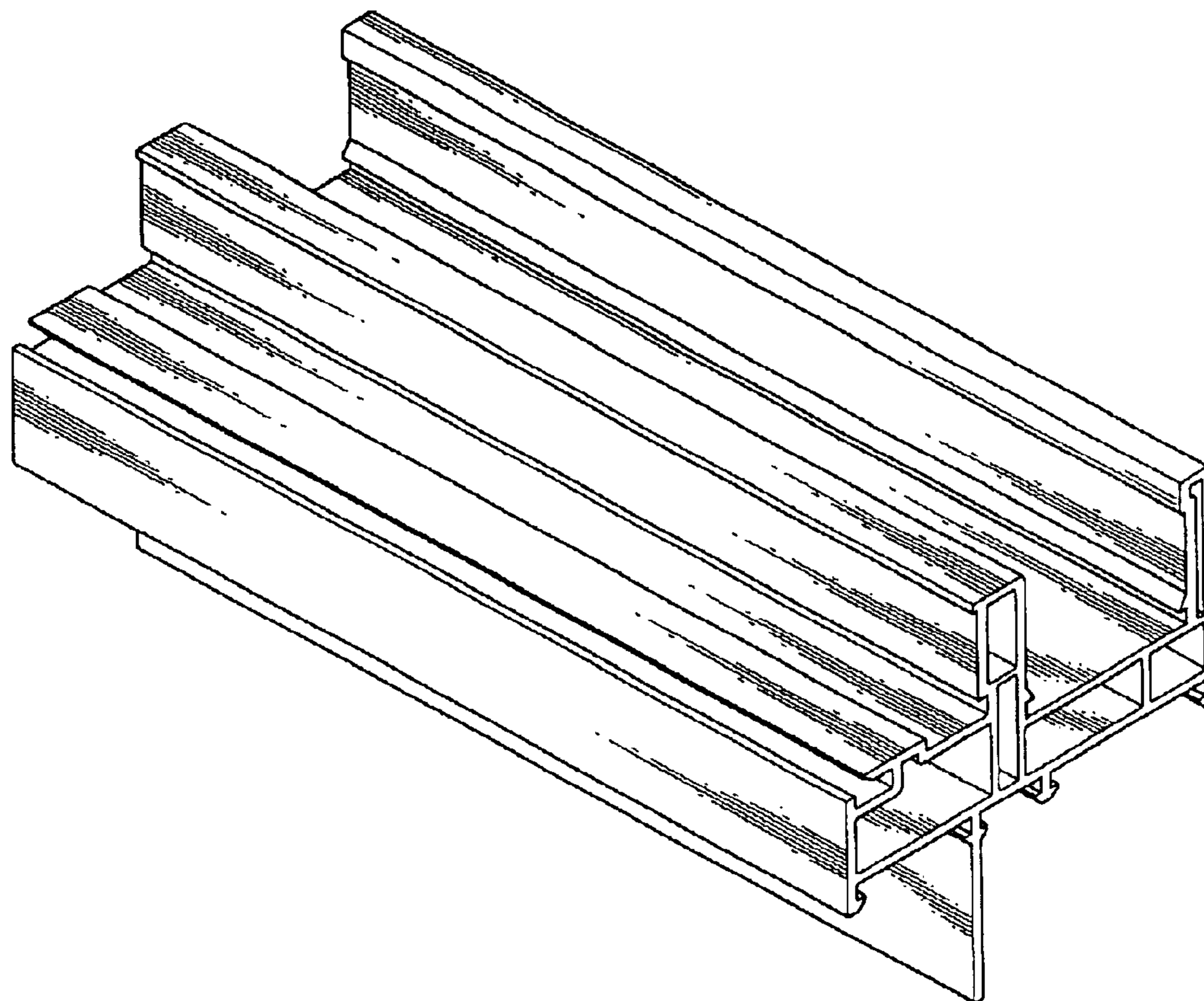


FIG.1

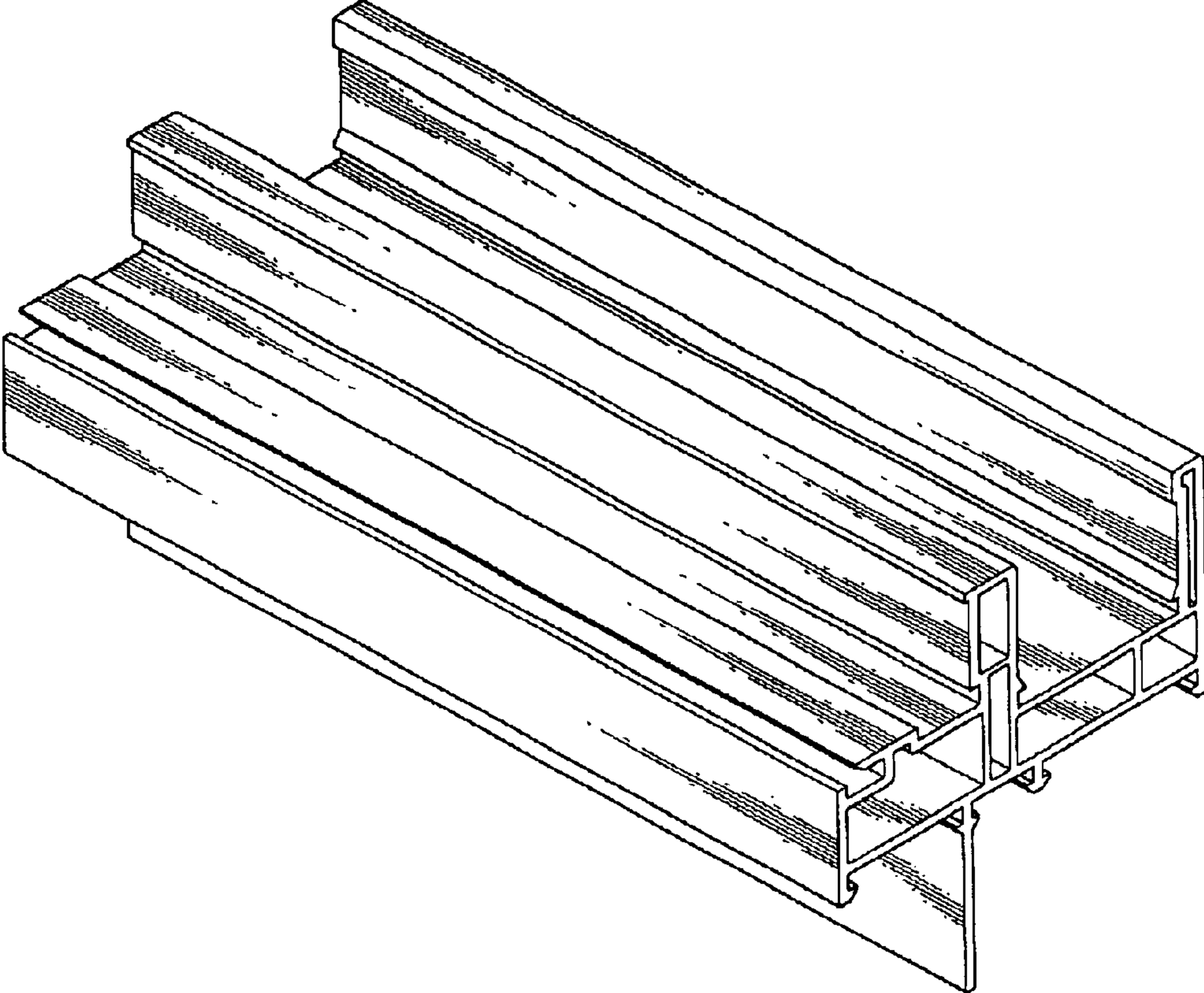


FIG.2

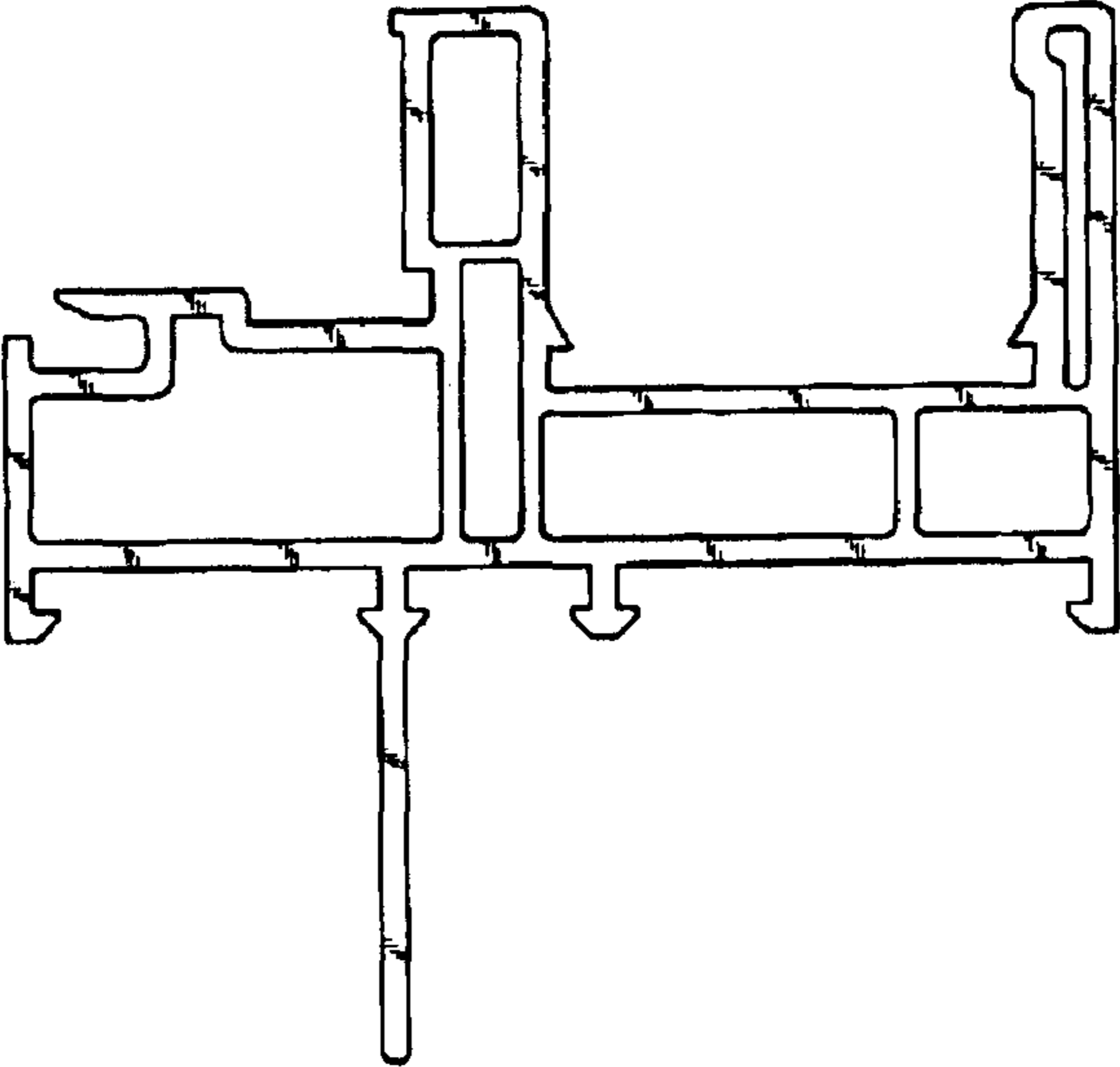


FIG.3

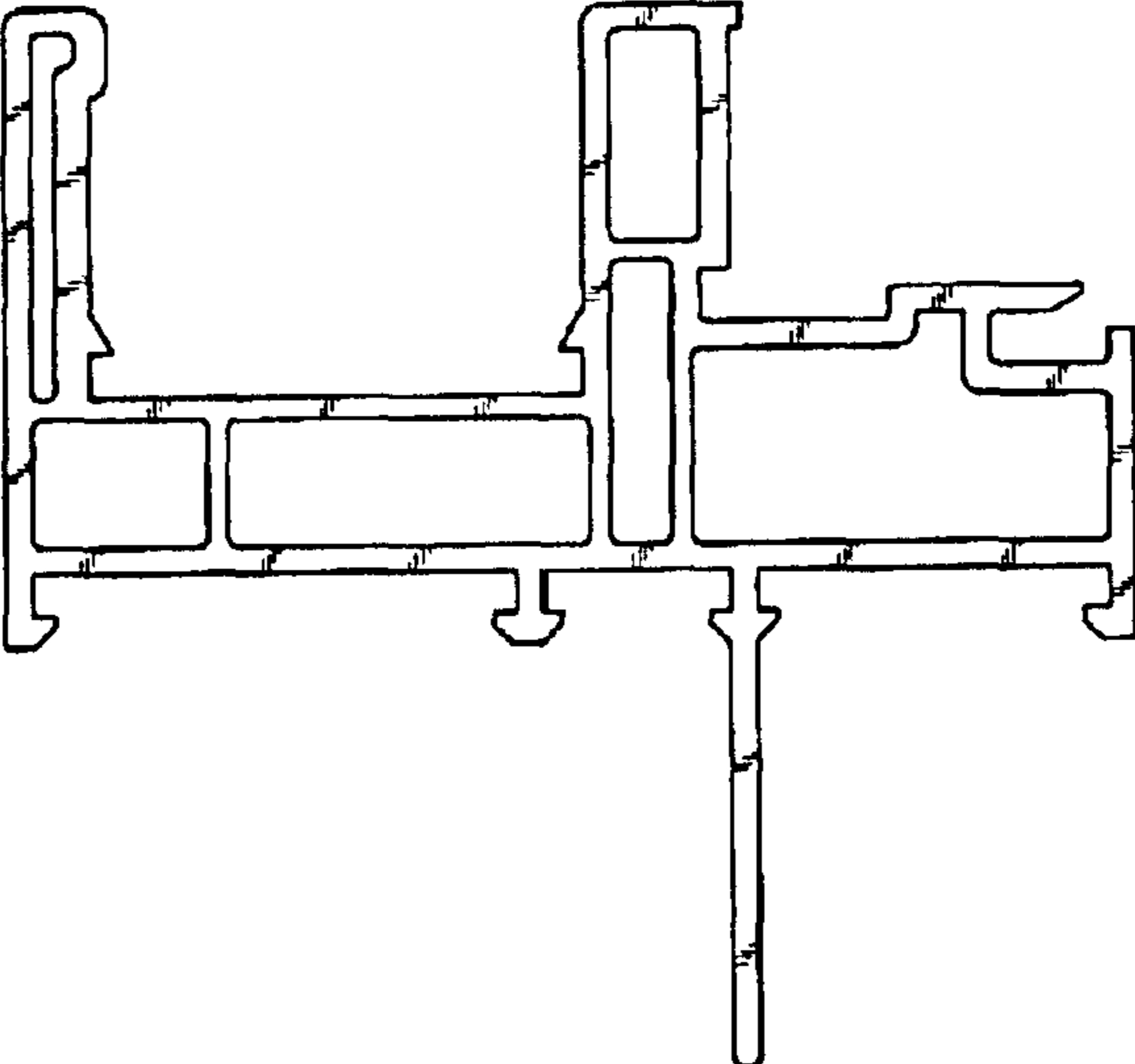


FIG.4

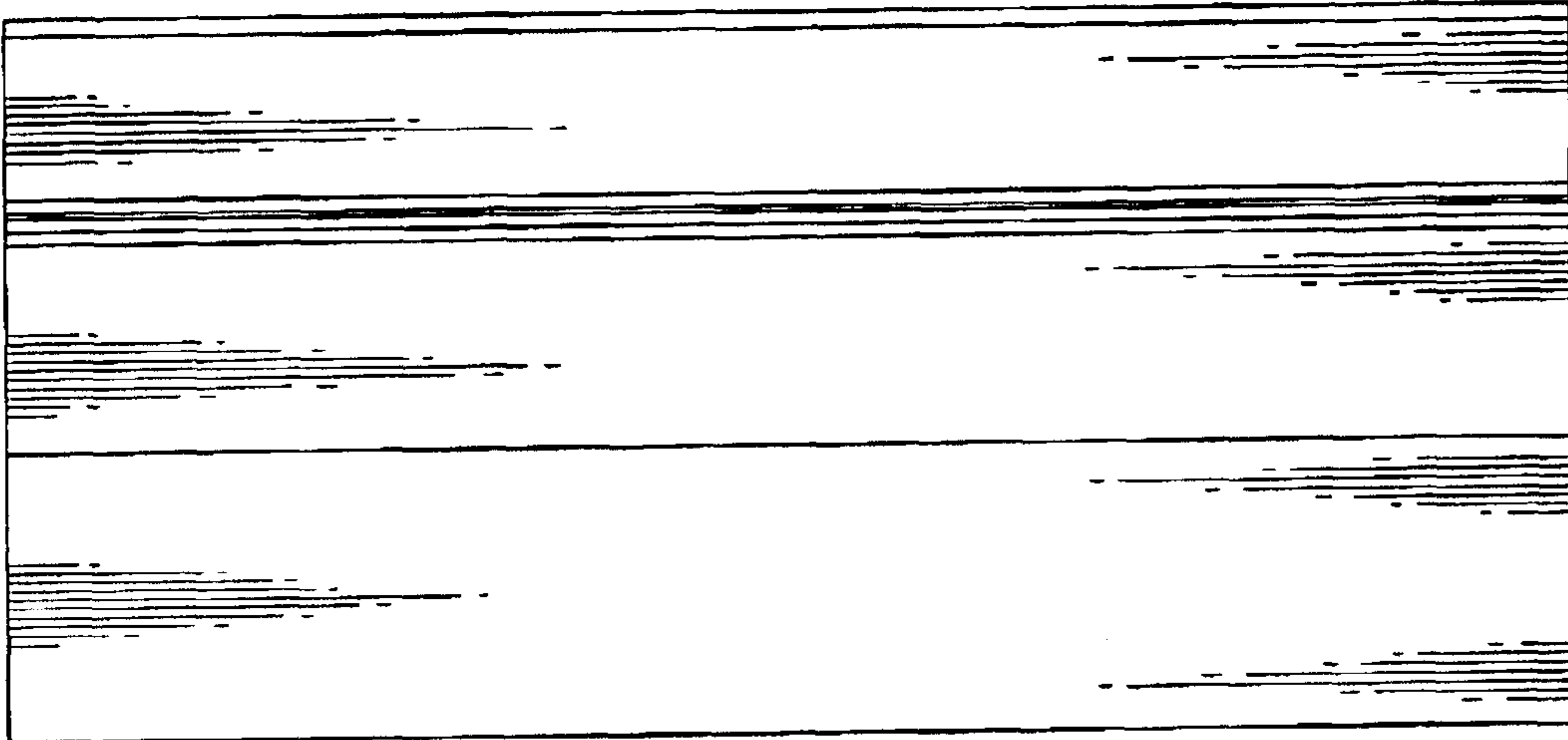


FIG.5

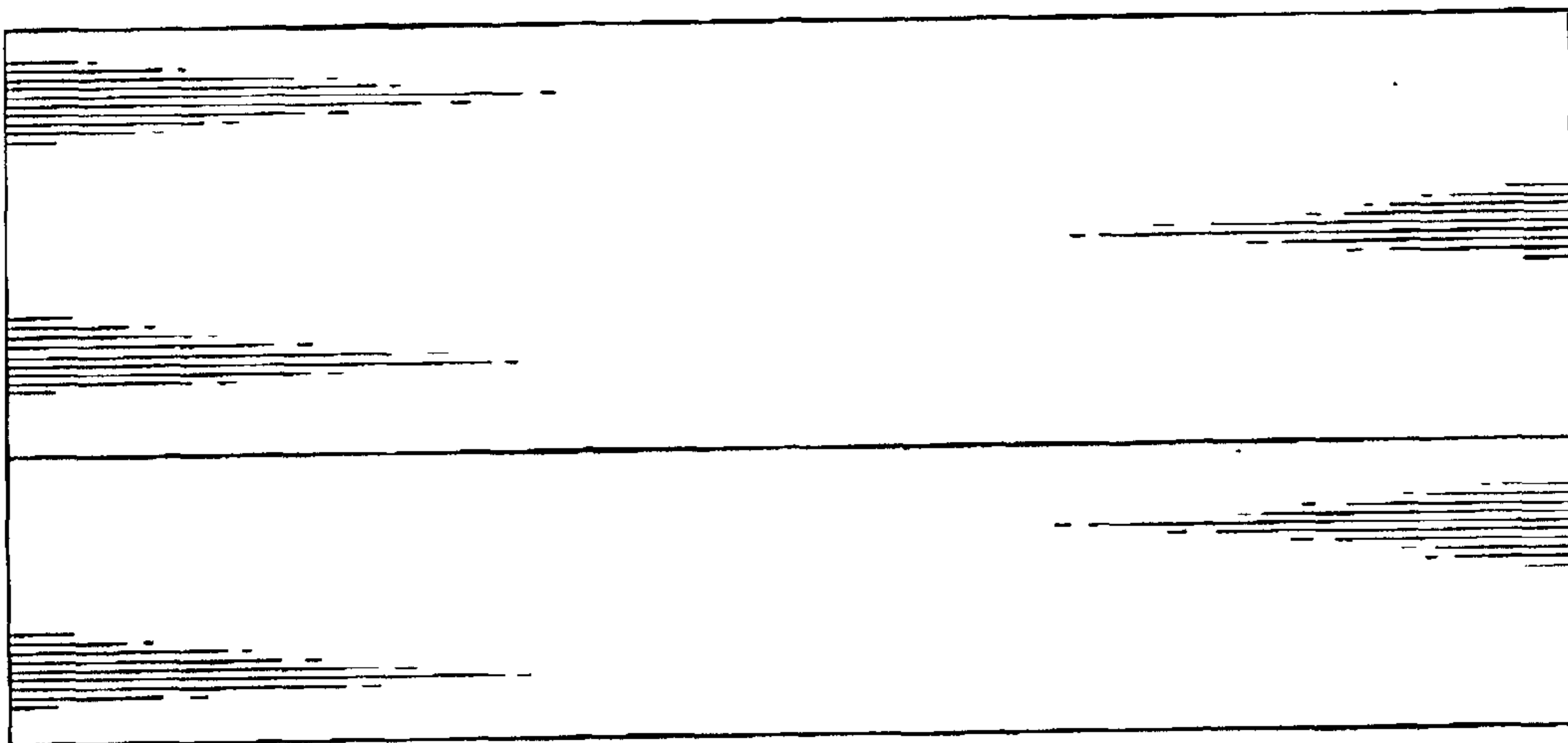


FIG.6

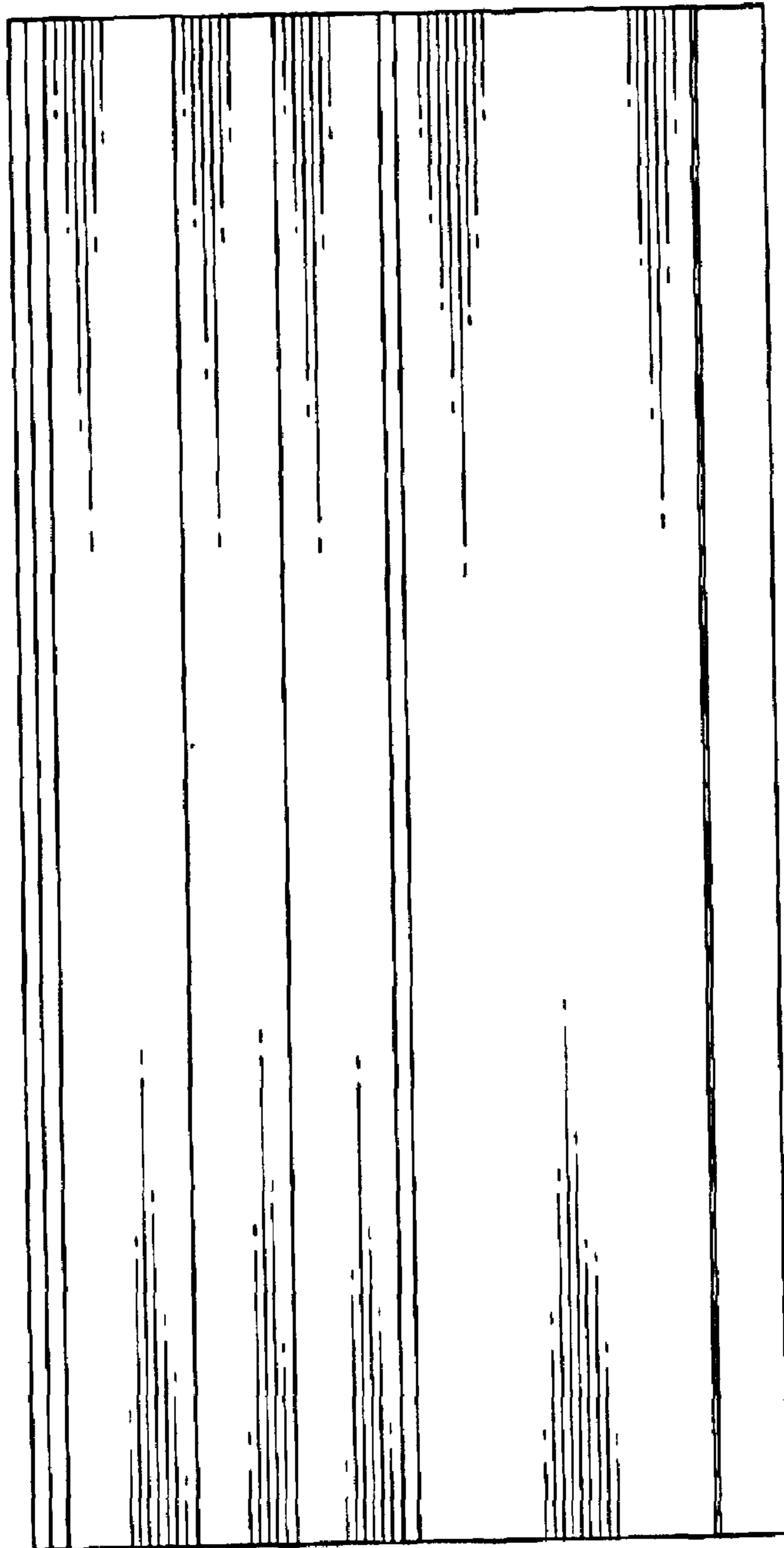


FIG.7

