

US00D501935S

(12) **United States Design Patent**
Dawson et al.

(10) **Patent No.:** **US D501,935 S**
(45) **Date of Patent:** **** Feb. 15, 2005**

(54) **WALL BLOCK**

(75) Inventors: **William B. Dawson**, Medina, MN (US); **Robert A. MacDonald**, Plymouth, MN (US)

(73) Assignee: **Keystone Retaining Wall Systems, Inc.**, Bloomington, MN (US)

(**) Term: **14 Years**

(21) Appl. No.: **29/186,712**

(22) Filed: **Jul. 21, 2003**

(51) **LOC (7) Cl.** **25-01**

(52) **U.S. Cl.** **D25/118**

(58) **Field of Search** D25/112-115,
D25/118; 405/273, 284, 286; 52/596-597,
600-602, 604-609

(56) **References Cited**

U.S. PATENT DOCUMENTS

751,346 A * 2/1904 Schall D25/117

1,526,730 A * 2/1925 Zottoll 52/602
D296,365 S * 6/1988 Forsberg D25/116
2004/0028484 A1 * 2/2004 Woolford 405/286

* cited by examiner

Primary Examiner—Robert A Delehanty

(74) *Attorney, Agent, or Firm*—Popovich, Wiles & O'Connell, P.A.

(57) **CLAIM**

The ornamental design for a wall block, as shown and described.

DESCRIPTION

FIG. 1 is a perspective view of a wall block according to our new design.

FIG. 2 is a top plan view of the block of FIG. 1.

FIG. 3 is a bottom plan view of the block of FIG. 1.

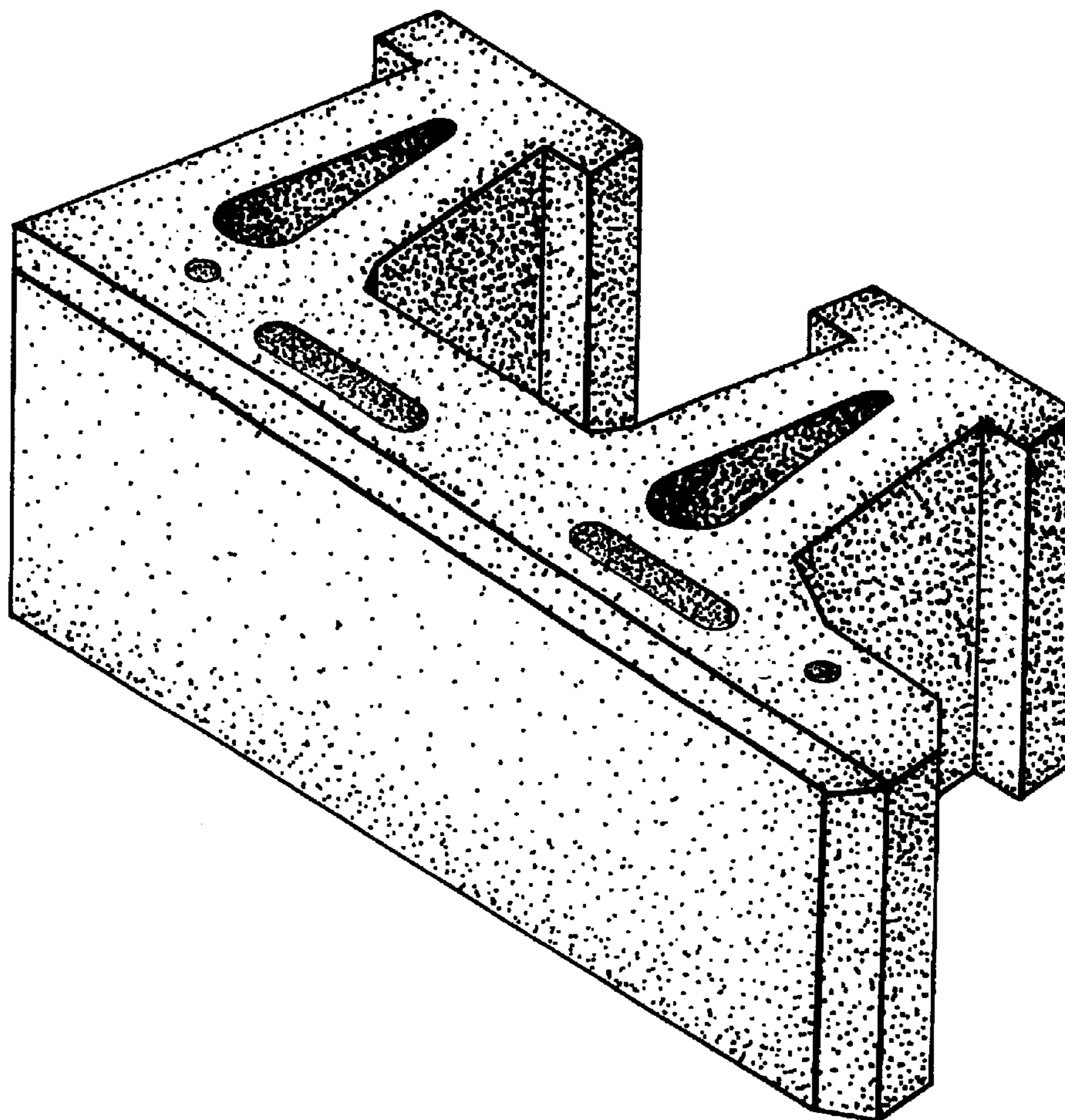
FIG. 4 is a side elevational view of the block of FIG. 1.

FIG. 5 is a front plan view of the block of FIG. 1.

FIG. 6 is a side elevational view of the block of FIG. 1; and,

FIG. 7 is a back plan view of the block of FIG. 1.

1 Claim, 5 Drawing Sheets



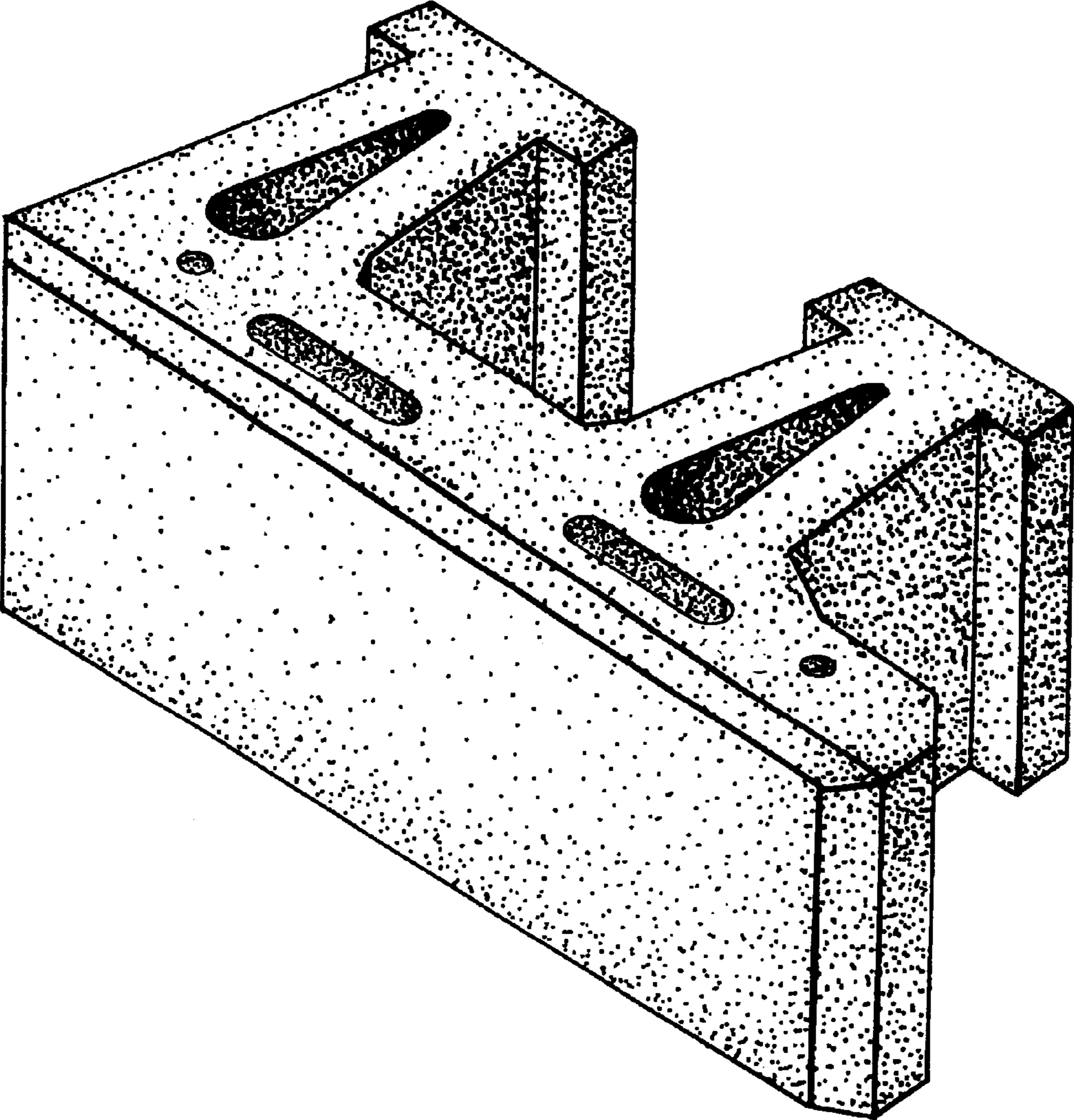


Fig. 1

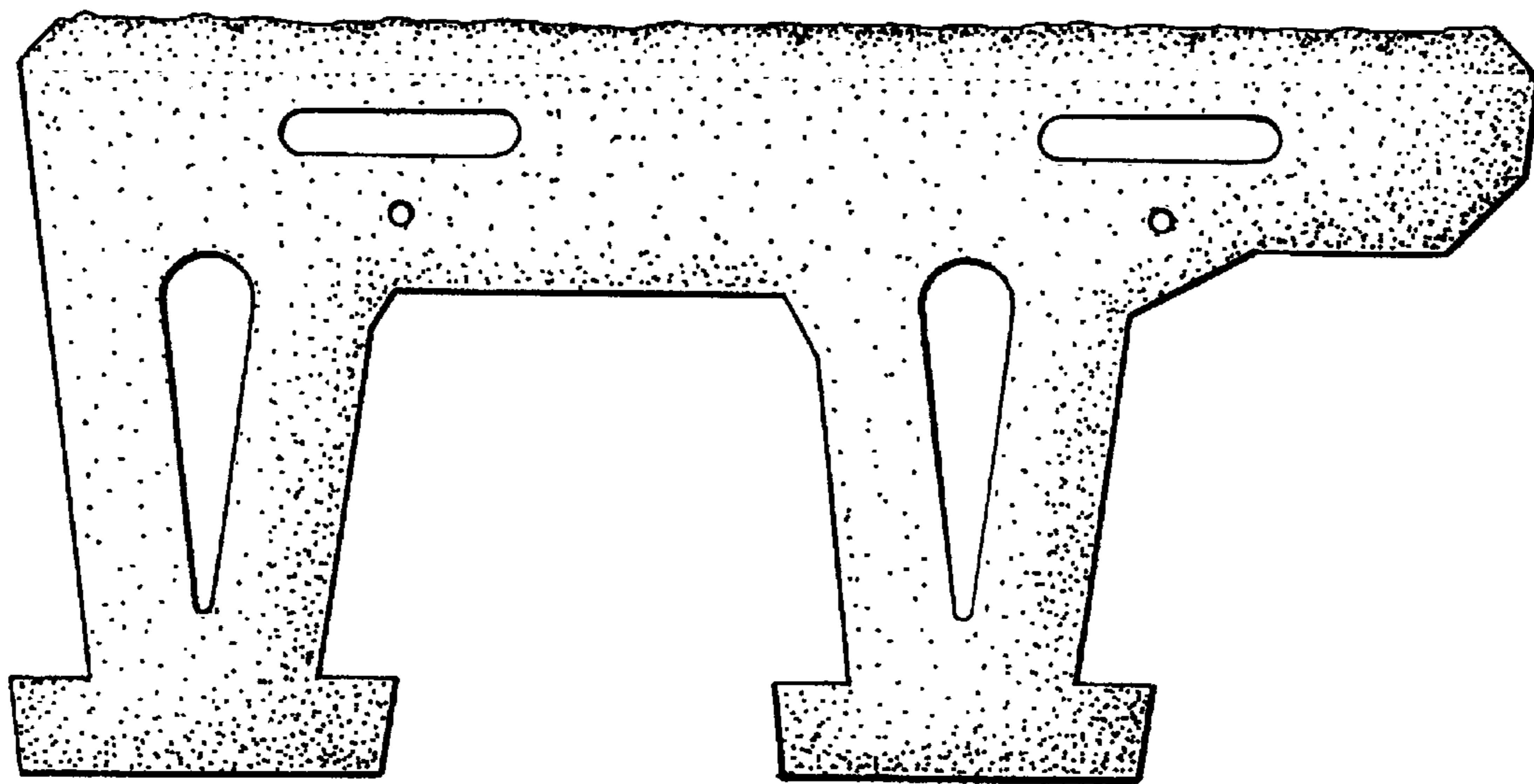


Fig. 2

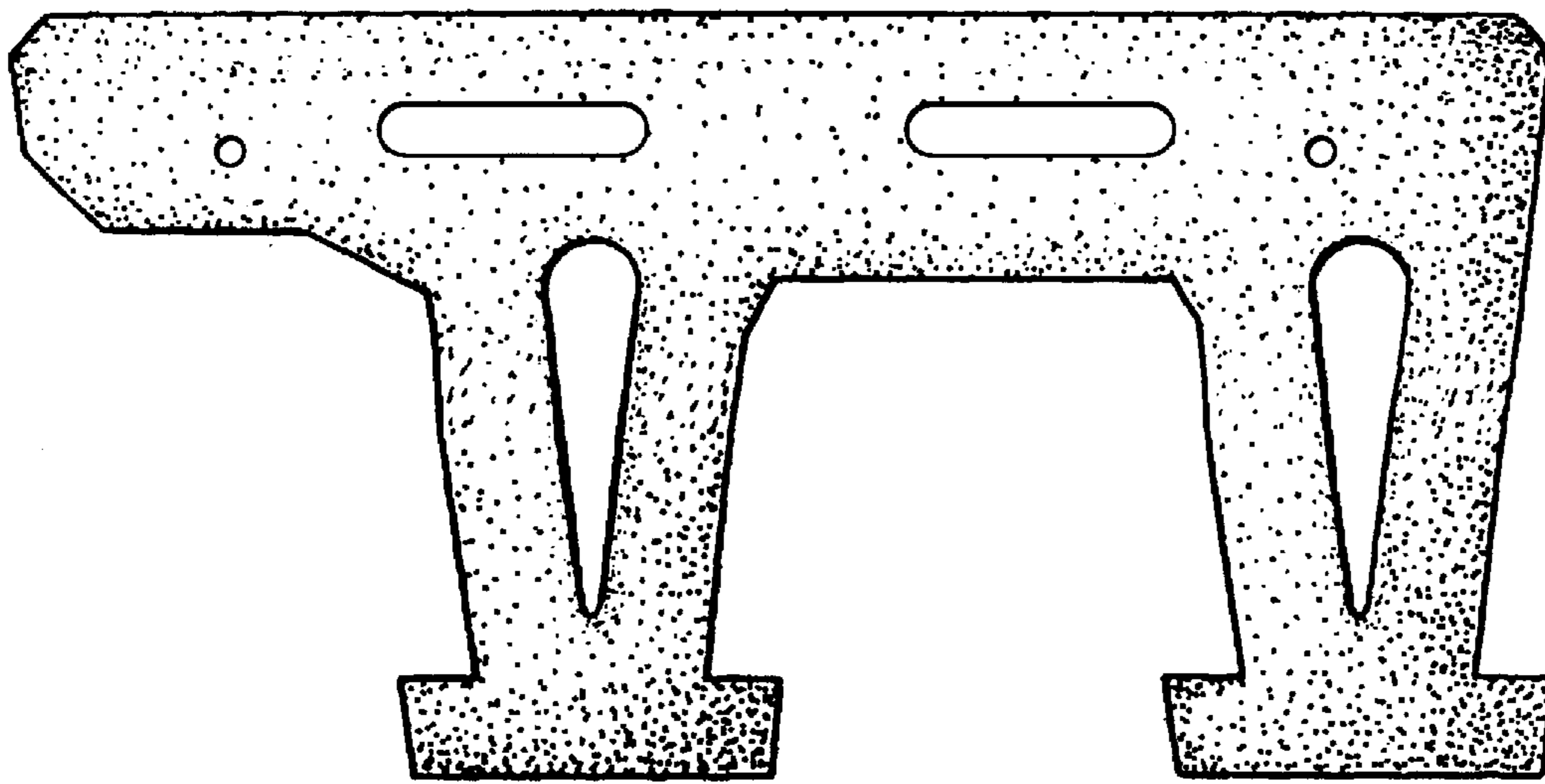


Fig. 3

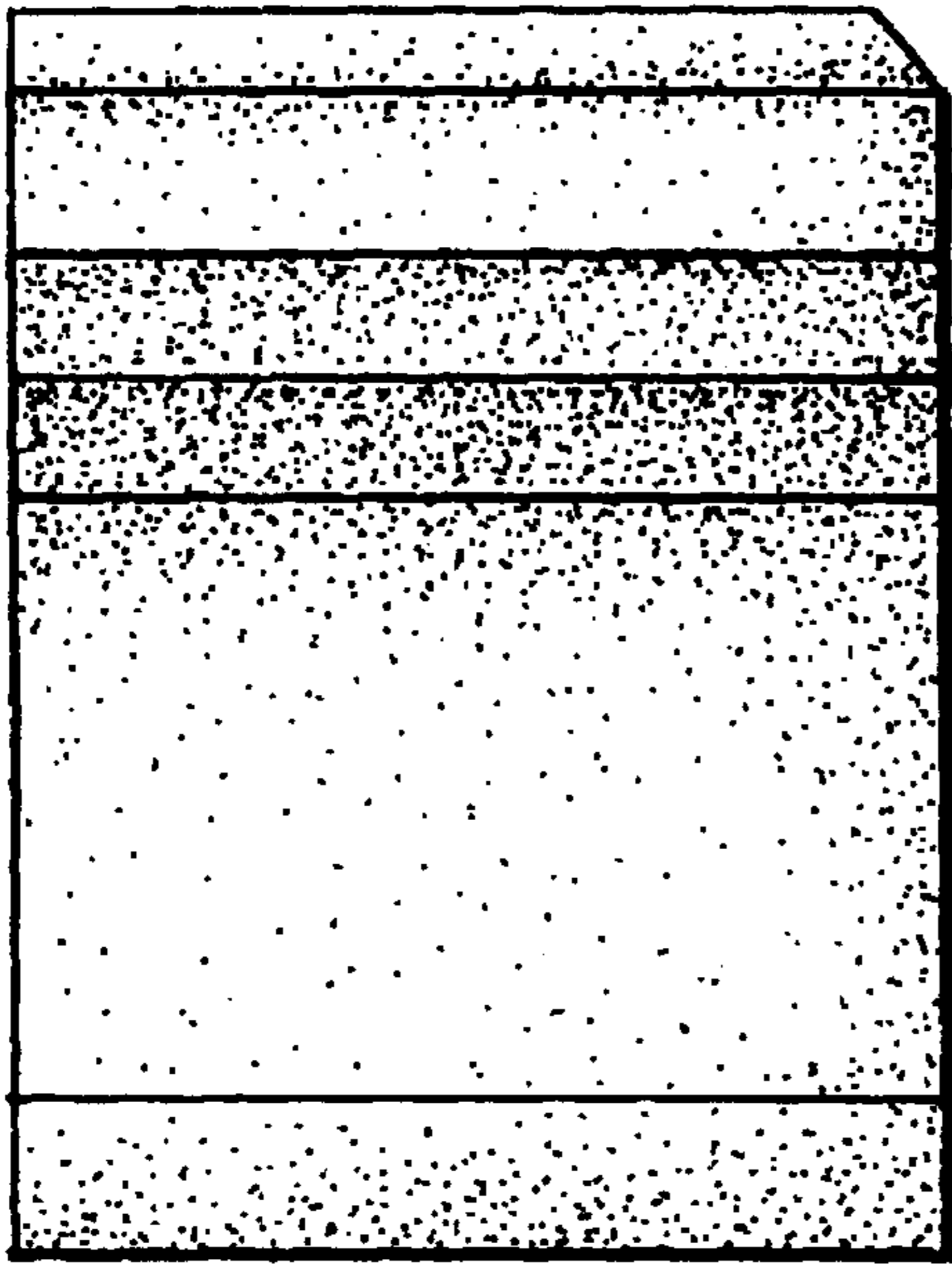


Fig. 4

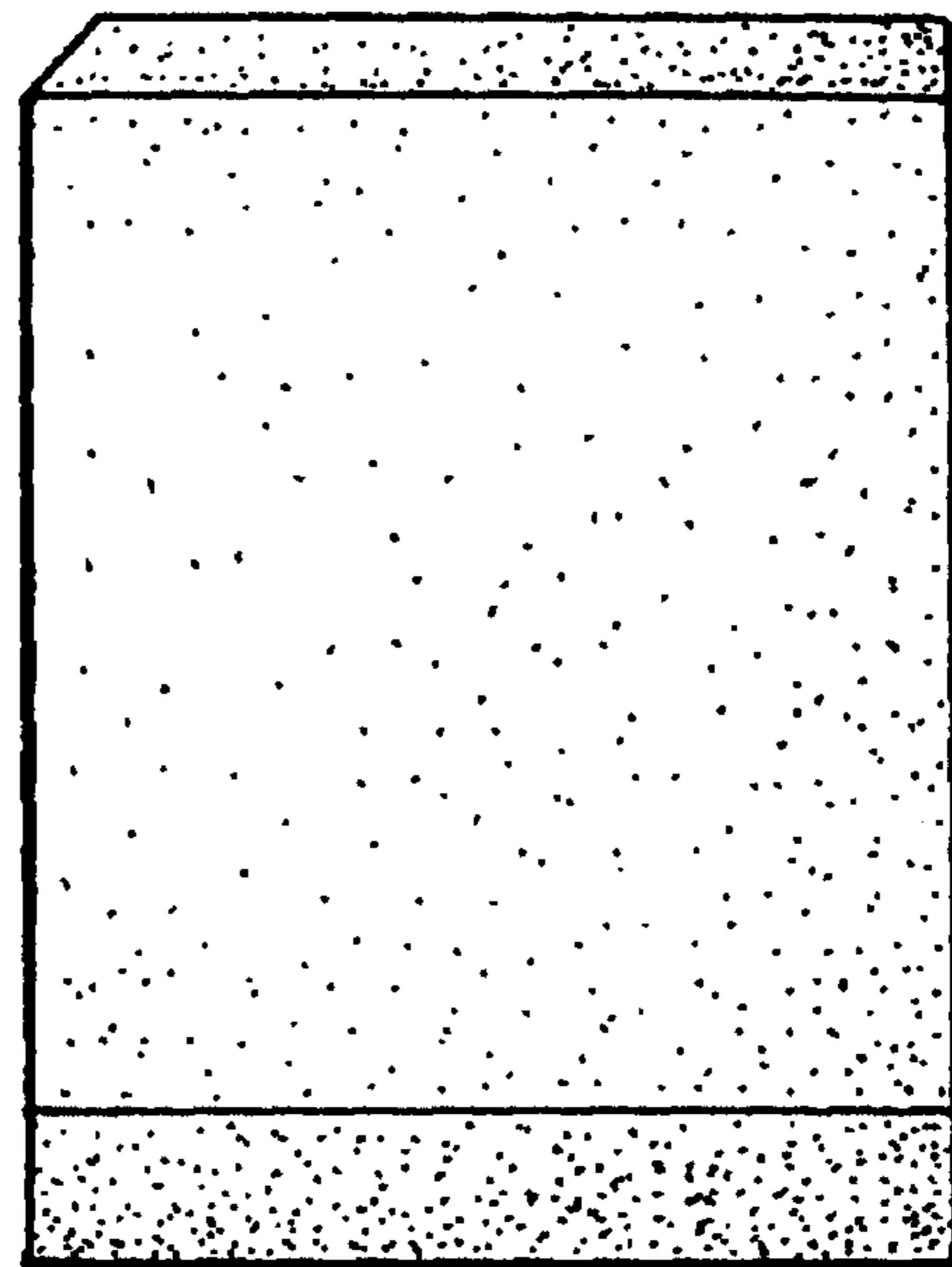


Fig. 6

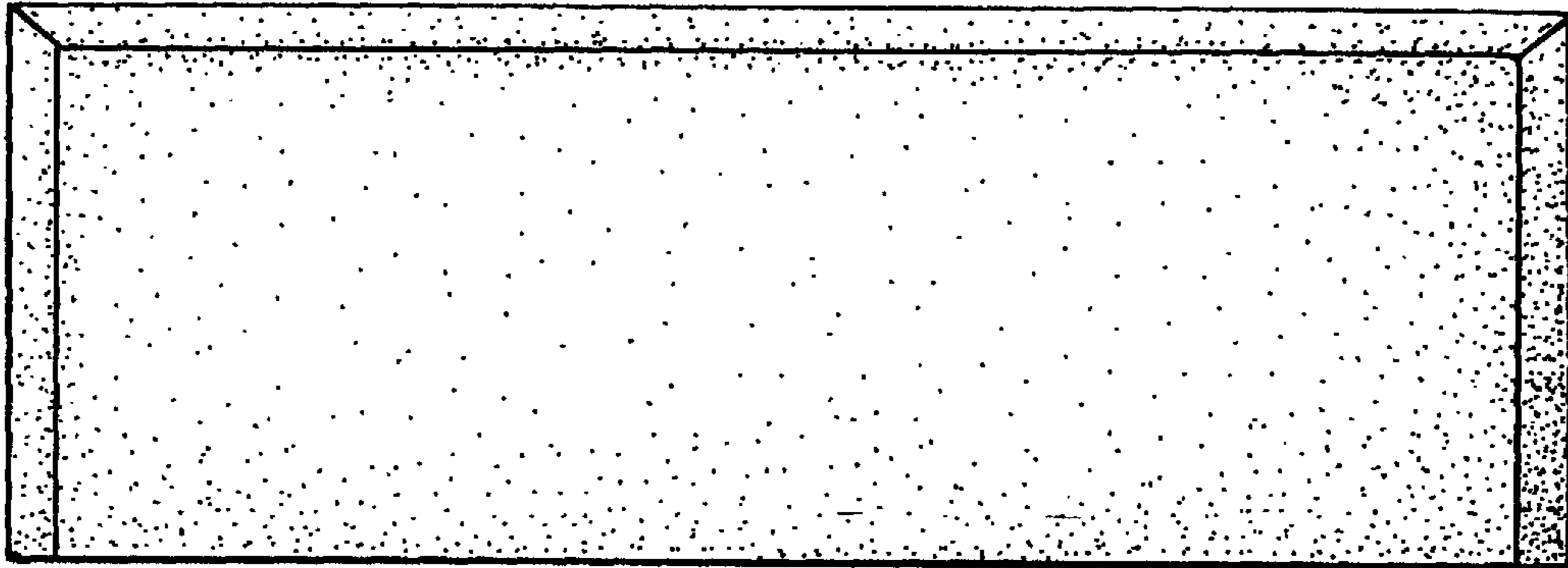


Fig. 5

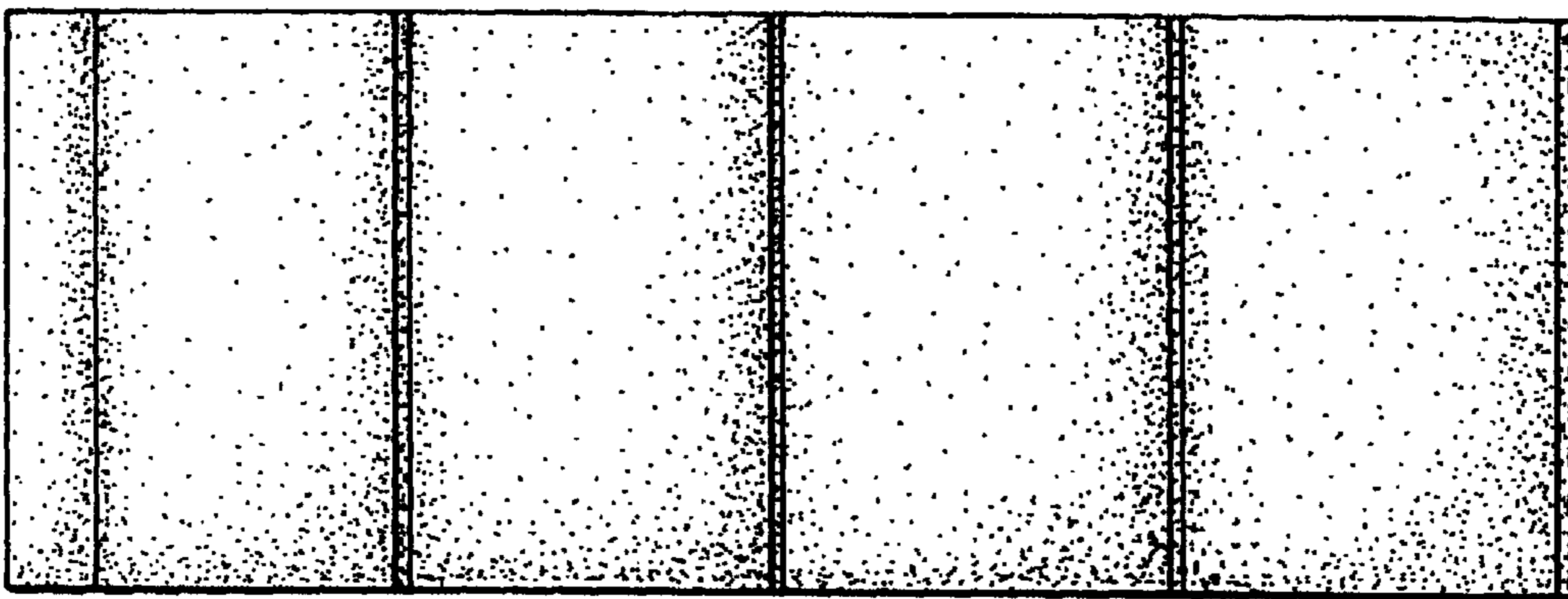


Fig. 7